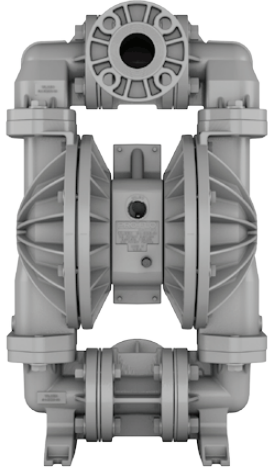


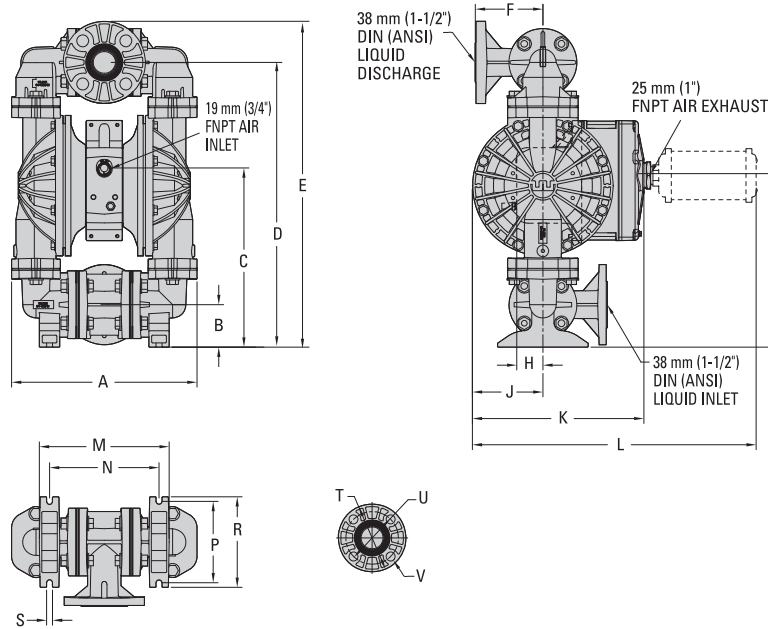
HS400S HIGH-PRESSURE METAL PUMP

38 mm (1-1/2") Pump
Maximum Flow Rate:
227 lpm (60 gpm)



DIMENSIONAL DRAWING

HS400S Aluminum



DIMENSIONS

ITEM	METRIC (mm)	STANDARD (inch)
A	343	13.5
B	79	3.1
C	335	13.2
D	531	20.9
E	605	23.8
F	122	4.8
G	325	12.8
H	48	1.9
J	132	5.2
K	320	12.6
L	531	20.9
M	244	9.6
N	206	8.1
P	152	6.0
R	170	6.7
S	10	0.4
	DIN (mm)	ANSI (inch)
T	150 DIA.	5.0 DIA.
U	110 DIA.	3.9 DIA.
V	18 DIA.	0.6 DIA.

LW0287 REV. A

PUMP DATA

Specifications:

Height..... 605 mm (23.8")
 Width..... 343 mm (13.5")
 Depth..... 320 mm (12.6")
 Ship Weight..... 27 kg (60 lbs)
 Air Inlet 19 mm (3/4")
 Liquid Inlet..... 38 mm (1-1/2")
 Liquid Outlet..... 38 mm (1-1/2")

HS400S HIGH-PRESSURE METAL PUMP

PERFORMANCE

**HS400S ALUMIMUM
TPE-FITTED**

Max. Flow Rate.....227 lpm (60 gpm)
 Max. Inlet Pressure8.6 bar (125 psig)
 Max. Solids Passage..... 8.0 mm (5/16")
 Max. Suction Lift.....1.1 m Dry (3.6')
 9.0 m Wet (29.5')

