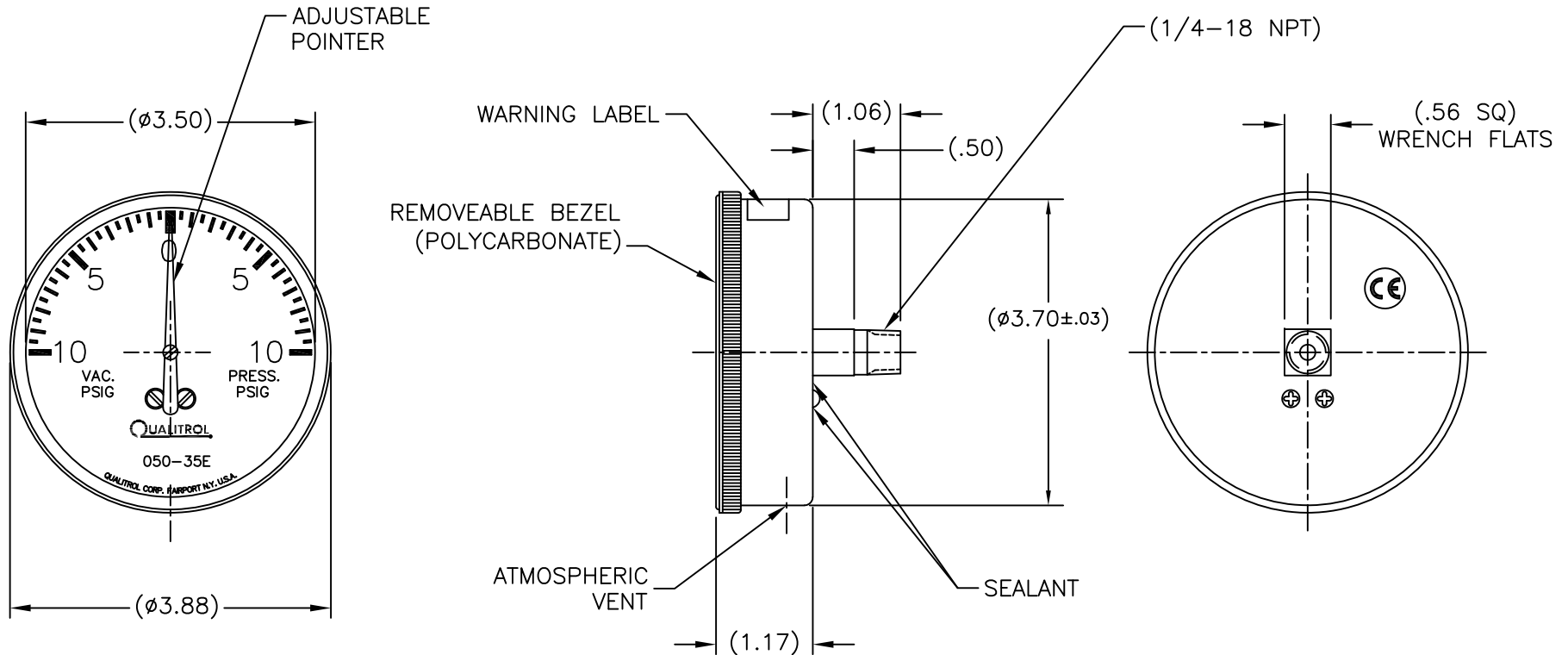


NOTICE
 THIS DRAWING IS THE PROPERTY OF QUALITROL COMPANY LLC AND IS LOANED ONLY ON THE CONDITION THAT IT WILL BE USED TO FACILITATE THE PURPOSE FOR WHICH INTENDED AND NOT BE REPRODUCED, COPIED OR OTHERWISE DISPOSED OF, AND IS NOT TO BE USED IN WHOLE OR PART FOR FURNISHING INFORMATION RELATIVE TO THE MAKING OF DRAWINGS, PARTS APPARATUS OR PARTS THEREOF, EXCEPT BY WRITTEN ORDER FROM QUALITROL COMPANY LLC.

MODEL NO. 050-35E

NOTES:

- GAGE ACCURACY: CLASS B MIDDLE HALF OF RANGE = ± 0.4 PSIG
 BALANCE OF RANGE = ± 0.6 PSIG
 MUST CONFORM TO ANSI B40.1
 @ LATEST REV. & QUALITROL PPS-59.
- DIAL COLORS: BACKGROUND = FLAT BLACK
 POINTER & MARKINGS = WHITE
- DIMENSIONS ARE FOR REFERENCE ONLY.
- CASE MUST BE MOUNTED VERTICALLY AS SHOWN
- CASE 300 SERIES STAINLESS STEEL



| LET | DATE | ALTERATION | C.N. |
|-----|---------|-------------------------------------|-------|
| - | 10-7-16 | ADDED NOTES 4&5, WAS STEEL PAINTED. | 35555 |
| - | 8-25-16 | ADDED CE LABEL | 35420 |

QUALITROL

DIMENSIONS AND TOLERANCES IN ACCORDANCE WITH ASME Y14.5M-1994

PH. (585) 586-1515
 FAX (585) 377-0220

1385 FAIRPORT ROAD
 FAIRPORT, NY 14450

FORM 0-473 REV. F 04/06/06

TITLE: PV GAGE 10-0-10 PSIG
 MODEL NO. 050-35E