



MKII 80mm Internal Gas Relief Valve & Bursting Disc Holder- Suitable for a pressure range of between 100 - 505 PSI (6.90 - 34.82 bar). Contact parts manufactured in 304/316 stainless steel. Fitted with PTFE seals as standard.

Options - available with 1/4" BSP or 1/4" NPT horizontal or vertical pressure gauge fitting. Alternative flange drillings are available on request. Please see below for standard drilling patterns. Kalrez® seal optional. Oxygen service cleaning available.

Specification

Weight 31.5 Kgs *See Note
 Design Temperature -55°C to 80°C (-67°F to 176°F)

Note : Weight varies according to valve specification

Design approval by Lloyds Register of Shipping and Russian Maritime Register of Shipping.

Test certificates supplied as standard. Please see separate data sheets for details on flow rates.

Tests may be witnessed and valves individually stamped by an independent inspectorate by arrangement.

Range

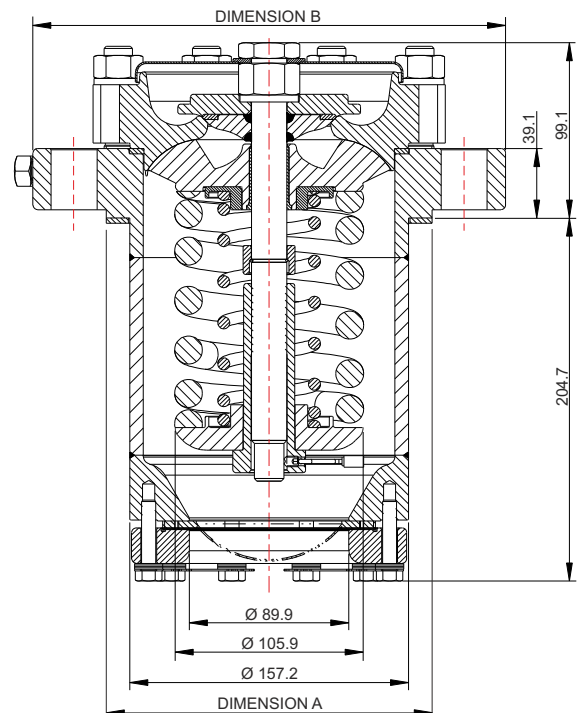
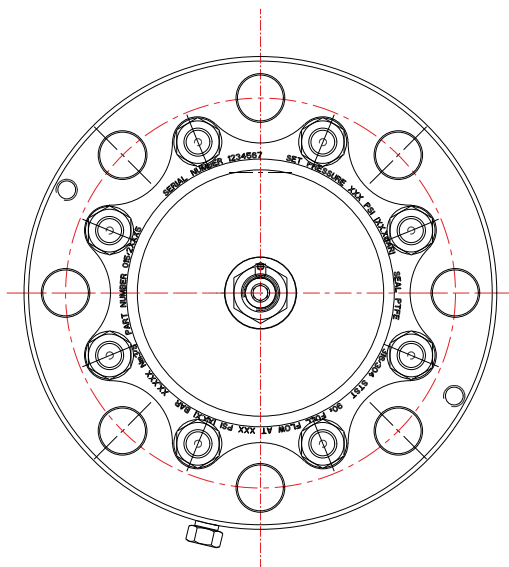
Part No.	Description
015/2XXX5	Valve with flange drilled 220mm PCD
015/2XXXXA	Valve with 90° 1/4" BSP check port
015/2XXXXB	Valve with 90° 1/4" NPT check port
015/2XXXXC	Valve with 1/4" BSP vertical gauge port
015/2XXX0	Valve with flange drilled 250mm PCD

Associated Parts

Associated Parts	Part No.
Pressure Gauges to suit various valve pressures	Various – please contact our Sales team
CNAF/PTFE gasket (015/2XXX0)	5005-815
PTFE gasket (015/2XXX5)	5005-812
Emergency blank cap – 2 hole	005/0060X
Emergency blank cap – 4 hole	015/0070X

Fitting Details

Example shown : 015/2XXX5



Part No.	Dimension A	Dimension B	Flange drilling pattern
015/2XXX5	Ø 183.9	Ø 266.7	8 holes Ø 26.0mm equi-spaced on a 220.0mm PCD
015/2XXX0	Ø 202.9	Ø 301.0	8 holes Ø 26.0mm equi-spaced on a 250.0mm PCD