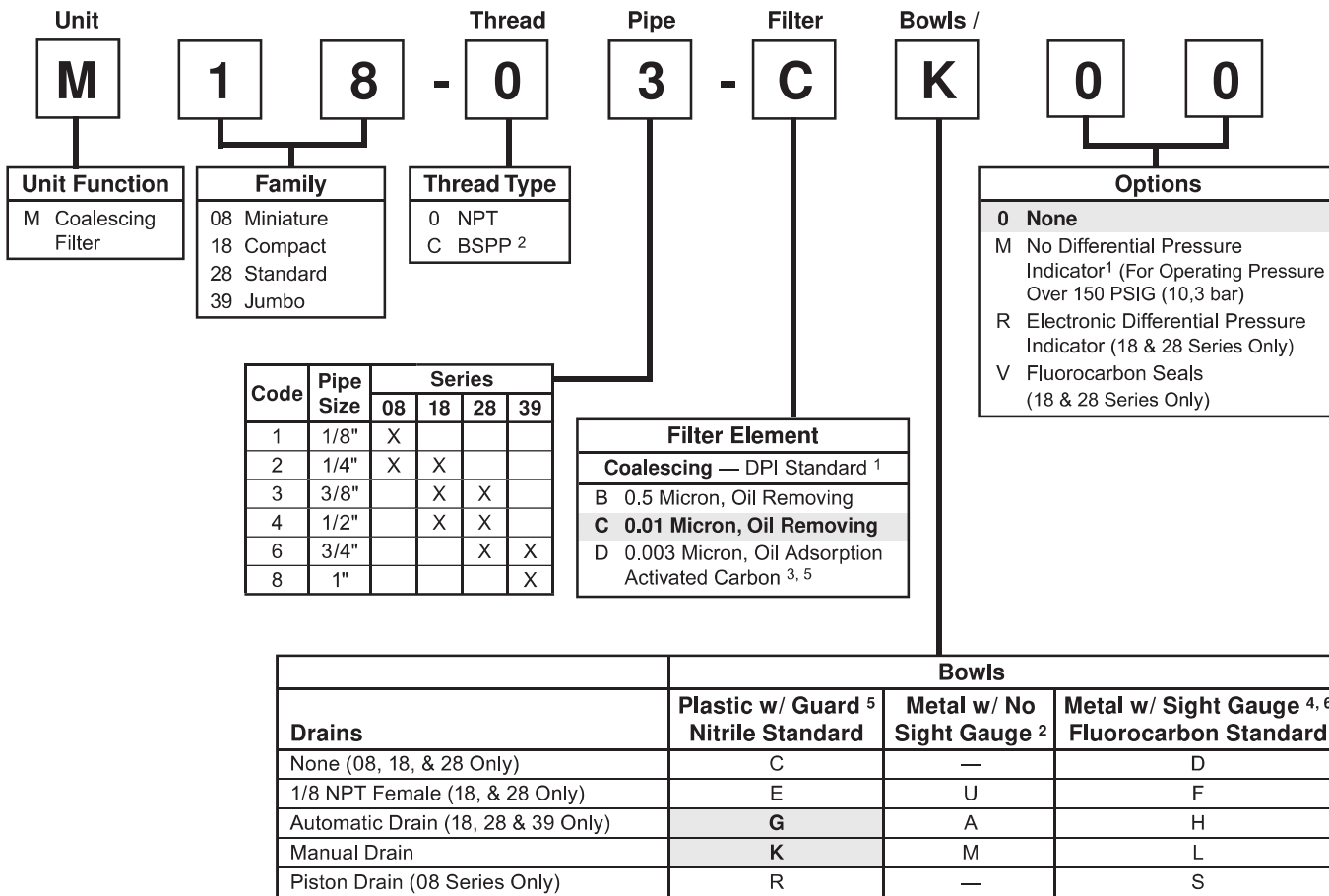


Coalescing (Oil Removal) Numbering System

 = "Most Popular"

B



¹ "M" Option not available on 08 Series. No DPI is Standard on M08.

² ISO, R228 (G Series)

³ Only C, D, K, and L Bowl / Drain Configurations Available.

⁴ M08 Filter has an all Metal Bowl (no Sight Gauge).

⁵ Not available in 39 Series.

"M" Series Coalescing Filters, with Type "B" 0.5 micron elements: All Wilkerson Type "M" Oil Removal (Coalescing) Filters with Type "B" 0.5 micron elements **exceed ISO Class 2** for maximum particle size and concentration of solid contaminants, and exceed Class 3 on maximum oil content (ppm/wt).

"M" Series Coalescing Filters, with Type "C" 0.01 micron elements: All Wilkerson Type "M" Oil Removal (Coalescing) Filters with Type "C" 0.01 micron elements **exceed ISO Class 1** for maximum particle size and concentration of solid contaminants, and exceed Class 1 on maximum oil content (ppm/wt).

"M" Series Adsorption Filters, with Type "D" activated carbon elements: All Wilkerson Type "M" adsorption filters with Type "D" 0.003 micron activated carbon elements **exceed ISO Class 1** on maximum oil content (ppm/wt).

NOTE: All classes above refer to International Standards Organization (ISO) standard 8573-1, pertaining to maximum particle size and concentration of solid contaminants, and maximum oil content.

Note: When selecting from the options columns, please enter letters in alphabetical order for positions 7, 8, and 9.
For example:

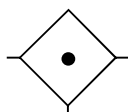
M 1 8 - 0 3 - C K 0 0

Coalescing Filter

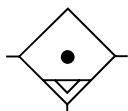
M08

= "Most Popular"

B



Coalescing Filter



Auto Drain



M08-02-CK00

Features

- High-efficiency Removal of Water, Oil Aerosols, and Solid Particulate Contaminants Down to 0.01 ppm / wt with Minimum Pressure Drop
- Modern Design and Appearance
- Light Weight
- High Flow Capacity
- Bowl Guard
- Quick-disconnect Bowl

Specifications

Flow Capacity*	1/8, 1/4	11.0 SCFM (5.2 dm ³ /s)
Maximum Supply Pressure	Plastic Bowl	150 PSIG (10.3 bar)
	Metal Bowl	250 PSIG (17.2 bar)
Operating Temperature	Plastic Bowl	32° to 125°F (0° to 52°C)
	Metal Bowl	32° to 150°F (0° to 65.5°C)
Port Size	NPT / BSPP-G 1/4	
Standard Filtration	Micron	(B) .5, (C) 0.01
		(D) 0.003 ppm wt**
Weight	.4 lb. (0.2 kg)	

* Inlet pressure 150 PSIG (10.3 bar). Pressure drop 3 PSID (0.2 bar) (dry element).

** Filtration temperature of 70°F (21°C) @ 100 PSIG (6.9 bar) with typical compressor lubricating oil and protected by Type C filter.

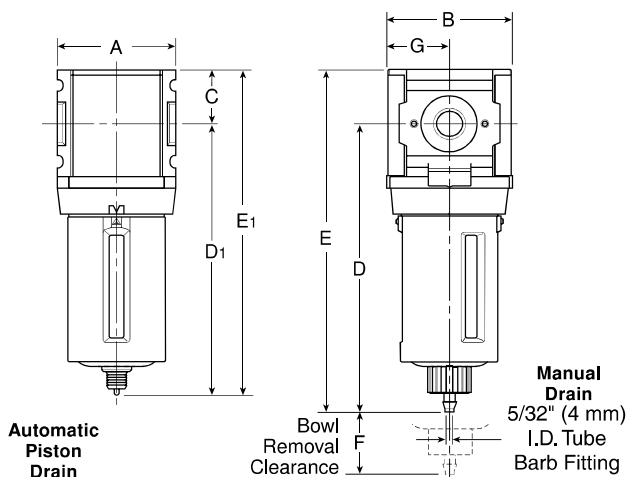
"M" Series Coalescing Filters, with Type "B" 0.5 micron elements: All Wilkerson Type "M" Oil Removal (Coalescing) Filters with Type "B" 0.5 micron elements exceed ISO Class 2 for maximum particle size and concentration of solid contaminants, and exceed Class 3 on maximum oil content (ppm/wt).

"M" Series Coalescing Filters, with Type "C" 0.01 micron elements: All Wilkerson Type "M" Oil Removal (Coalescing) Filters with Type "C" 0.01 micron elements exceed ISO Class 1 for maximum particle size and concentration of solid contaminants, and exceed Class 1 on maximum oil content (ppm/wt).

"M" Series Adsorption Filters, with Type "D" 0.003 micron activated carbon elements: All Wilkerson Type "M" adsorption filters with Type "D" 0.003 micron activated carbon elements exceed ISO Class 1 on maximum oil content (ppm/wt).

Materials of Construction

Body	Zinc	
Body Cap	ABS	
Bowl	Plastic Bowl	Polycarbonate
	Metal Bowl	Zinc
Filter Element	Type "B", "C"	Borosilicate Cloth
	Type "D"	Activated Carbon
Seals	Nitrile	



Dimensions

Models	Inches (mm)	A	B	C	D	D ₁	E	E ₁	F	G
Standard Unit M08-XX-CK00		1.58 (40)	1.68 (43)	.72 (18)	3.86 (98)	—	4.58 (116)	—	1.31 (33)	.84 (21)
Automatic Piston Drain M08-XX-CR00		1.58 (40)	1.68 (43)	.72 (18)	—	3.64 (93)	—	4.36 (111)	1.31 (33)	.84 (21)

Replacement Bowl Kits

- Metal Bowl, Manual Drain.....GRP-96-714
- Plastic Bowl / Bowl Guard, Manual Drain.....GRP-96-712

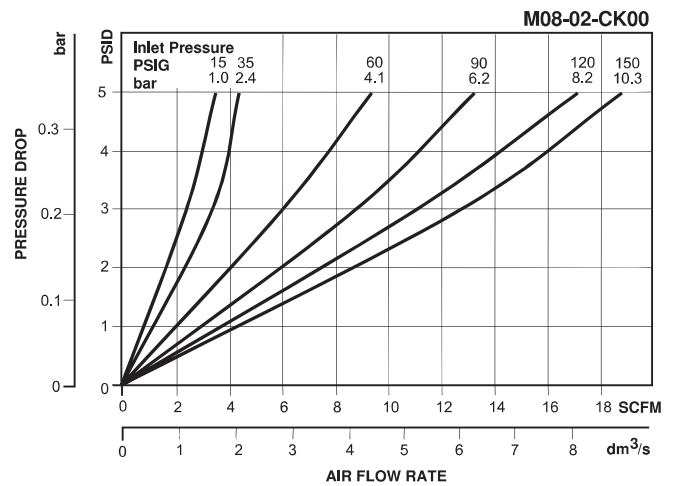
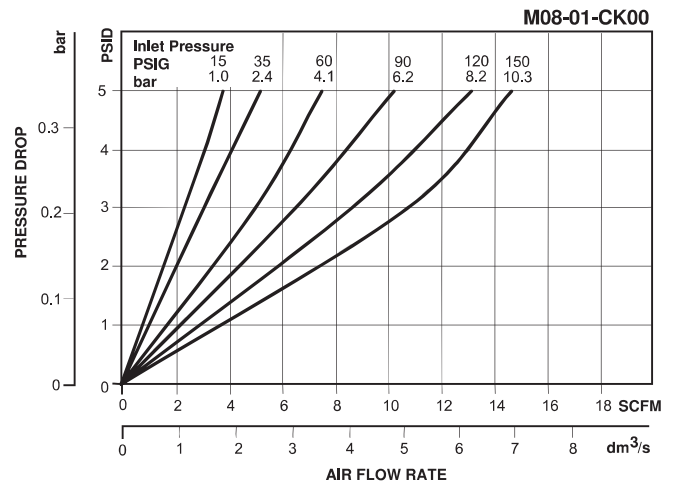
Replacement Element Kits

- Type "B", 0.5 Micron.....MSP-96-732
- Type "C", 0.01 Micron.....MTP-96-649
- Type "D", 0.003 Micron, Activated CarbonMXP-96-222

Accessories

- Automatic Piston DrainGRP-96-716
- Wall Mounting Bracket –
- C-TypeGPA-97-010
- T-TypeGPA-96-737

= "Most Popular"



Ordering Information

Model Type	Port Size	Plastic Bowl / Bowl Guard / C Element	Plastic Bowl / Bowl Guard / B Element	Plastic Bowl / Bowl Guard / D Element	Metal Bowl / C Element	Metal Bowl / B Element	Metal Bowl / D Element
Manual Drain	1/4	M08-02-CK00	M08-02-BK00	M08-02-DK00	M08-02-CL00	M08-02-BL00	M08-02-DL00
Automatic Piston Drain	1/4	M08-02-CR00	M08-02-BR00	M08-02-DR00	M08-02-CS00	M08-02-BS00	M08-02-DS00

Options - To order an option supplied with the unit model, add the appropriate coded suffix letter in the designated position of the model number.