

Dimensions

- $\varnothing A$ = Outer diameter
- $\varnothing D1 H7$ = Bore diameter
- $\varnothing D2 H7$ = Bore diameter
- $\varnothing H$ = Clearance diameter
- C** = Guided length shaft bore
- E** = Mounting dimension for elastomeric spider
- I** = Radius to clamp screw
- K** = Radius to clamp screw
- L ± 0.08** = Total length
- G** = Clamping screw
- C₁** = Bore tolerance for D₁
- C₂** = Bore tolerance for D₂



Dimensions

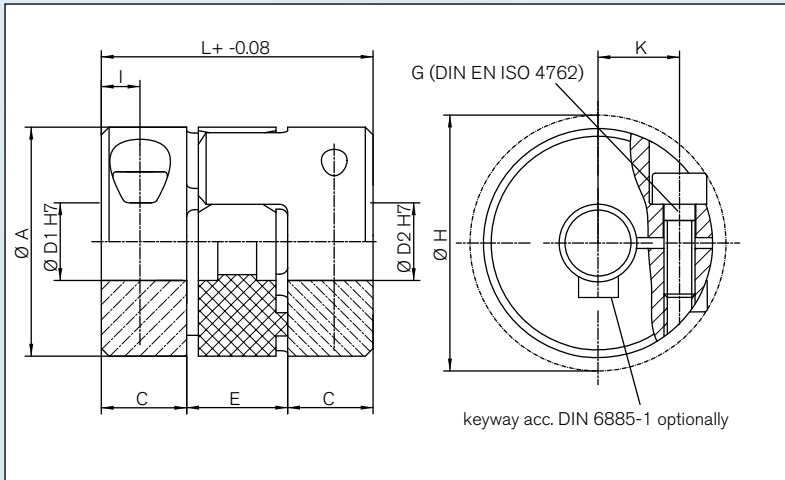
Technical Data

Size	L	$\varnothing A$	K	$\varnothing H$	E	$\varnothing D1 H7$	C ₁	$\varnothing D2 H7$	C ₂	C	I	G	T _{KN}	M _A	n _{max}	J	Weight
	±0.079	Inch											mm	lb-in	lb-in	rpm	10-6 lb-in ²
5	0.59	0.39	0.13	0.45	0.20	0.08-	-0	0.08-	-0	0.20	0.10	M1.6	4.4	2.2	38000	116	0.004
7	0.87	0.55	0.20	0.65	0.31	0.12-	+0.001	0.12-	+0.001	0.28	0.14	M2	10.6	3.1	27000	670	0.012
9	1.18	0.79	0.29	0.93	0.39	0.16-		0.16-		0.39	0.20	M2.5	26.6	6.6	19000	3692	0.037

Moment of inertia and weight (mass) are calculated with reference to the largest bore size.

Example: DK/GS

Series Size	Bore- $\varnothing D1$	Bore- $\varnothing D2$	Further details*
DK/GS 9	0.187	0.375	XXXXX



Sectional view

Technical Data

T_{KN}	=	Nominal torque
J	=	Moment of inertia
M_A	=	Tightening torque of screws
n_{max}	=	Max. rotational speed

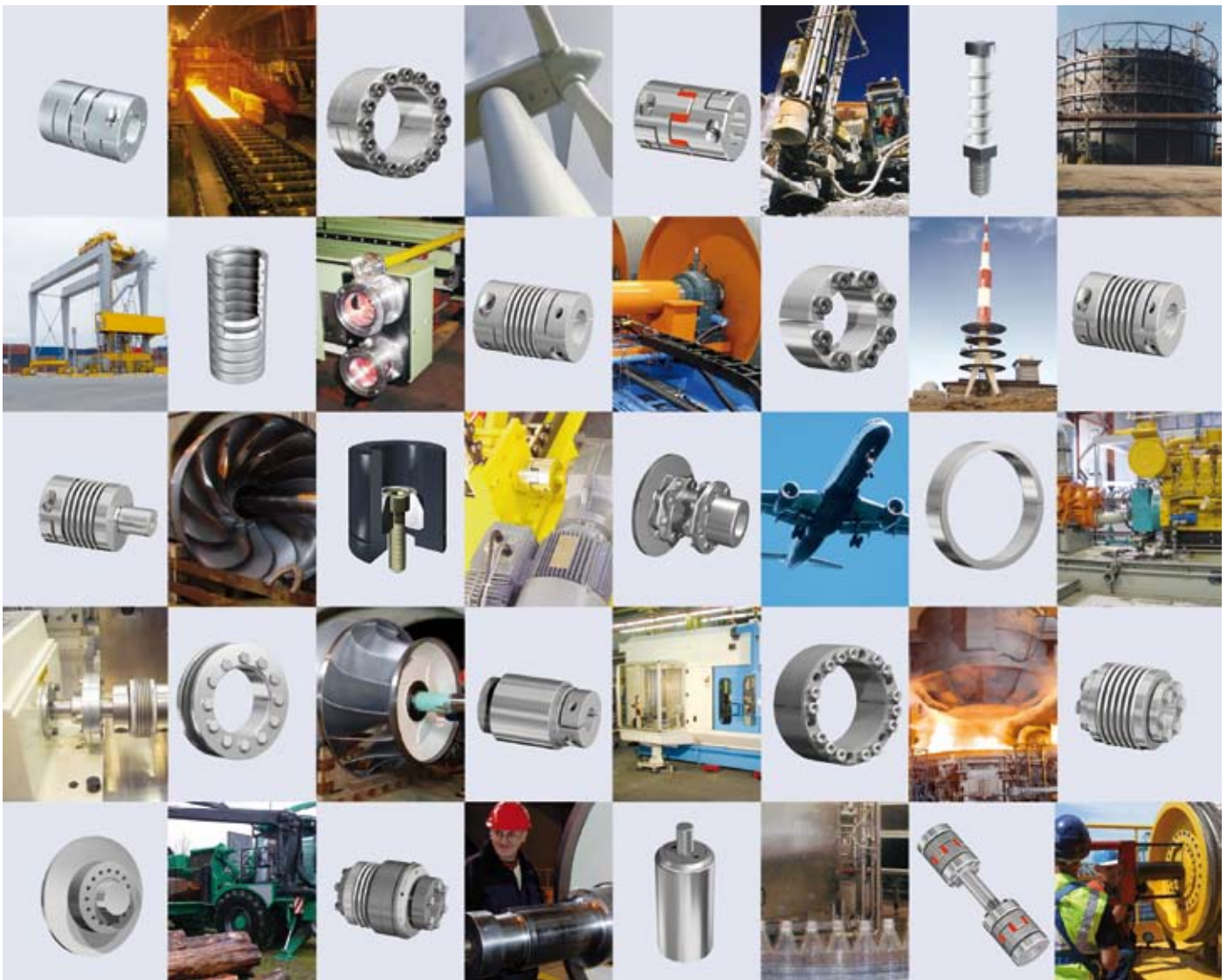
Torque values based on metric shaft diameters

Size	Ø 2	Ø 3	Ø 4	Ø 5	Ø 6	Ø 7	Ø 8	Ø 9	Ø 10	Ø 11
5	0.9	3.5	4.4							
7		3.5	8.0	8.4	8.9	9.7				
9			8.9	18	20	21	22	23	24	25

Bore range D1/D2 and corresponding transmissible torque values (lb-ins) of the coupling

Characteristics

- Economical clamping hub
- Easy to install
- Electrically isolating
- Vibration damping
- Fail-safe design
- Plug-in type - axial installation



Check out the respective catalogue for further technical details

All technical details and information is non-binding and cannot be used as a basis for legal claims. The user is obligated to determine whether the represented products meet his requirements. We reserve the right at all times to carry out modifications in the interests of technical progress. Upon the issue of this catalogue all previous brochures and questionnaires on the products displayed are no longer valid.

RINGFEDER POWER TRANSMISSION USA CORPORATION

165 Carver Avenue, P.O. Box 691 Westwood, NJ 07675, USA · Toll Free: +1 888 746-4333 · Phone: +1 201 666 3320 · Fax: +1 201 664 6053

E-mail: sales.usa@ringfeder.com · E-mail: sales.usa@gerwah.com