

Directional valves ▶ Mechanically operated

3/2-directional valve, Series AP

▶ Flow= 0.55 Cv ▶ pipe connection ▶ compressed air connection output: G 1/4



00108515

Version	Poppet valve
Working pressure min./max.	0 psi / 145 psi
Ambient temperature min./max.	-22°F / +176°F
Medium temperature min./max.	-22°F / +176°F
Medium	Compressed air
Max. particle size	5 μm
Oil content of compressed air	0 mg/m³ - 5 mg/m³

Materials:	
Housing	Aluminum
Seals	Acrylonitrile Butadiene Rubber

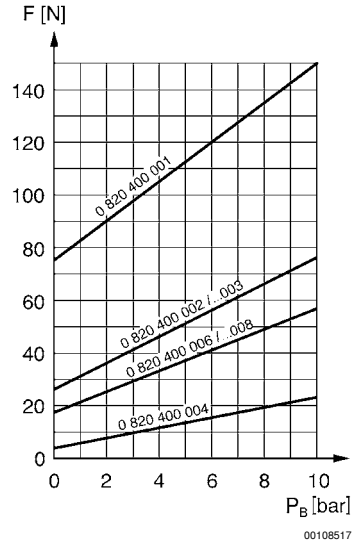
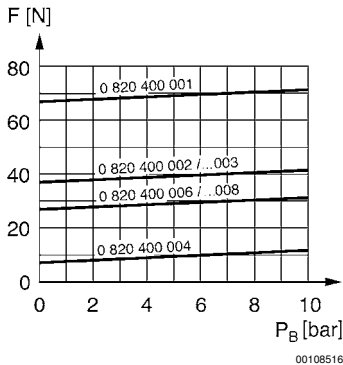
	Actuating element	Compressed air connection			Flow	Material: Actuating control	Weight	Fig.	Part No.
		Input	Output	Exhaust					
					[Cv]	[lbs]			
	Plunger	G 1/4	G 1/4	G 1/4	0.55	Steel	0.3637	Fig. 1	0820400001
	Roller	G 1/4	G 1/4	G 1/4	0.55	Polyoxymethylene	0.5842	Fig. 2	0820400002
	Roller lever, one-way trip	G 1/4	G 1/4	G 1/4	0.55	Polyoxymethylene; Steel	0.6172	Fig. 3	0820400003
	Push button	G 1/4	G 1/4	G 1/4	0.55	Aluminum	0.6393	Fig. 4	0820400004
	Lever	G 1/4	G 1/4	G 1/4	0.55	Steel; Polyamide	0.5952	Fig. 5	0820400005
	Pedal	G 1/4	G 1/4	G 1/4	0.55	Aluminum	2.65	Fig. 6	0820400006
	Pedal, with detent	G 1/4	G 1/4	G 1/4	0.55	Aluminum	2.69	Fig. 7	0820400008

Nominal flow Qn at 87 psi and Δp = 14.5 psi

3/2-directional valve, Series AP

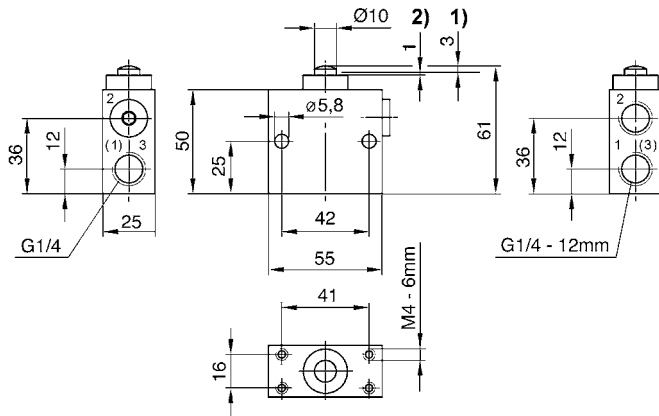
▶ Flow= 0.55 Cv ▶ pipe connection ▶ compressed air connection output: G 1/4

Actuating force, Compressed air at port 1 | **Compressed air at port 3**



F = actuating force
P_B = Working pressure

Dimensions, Fig. 1



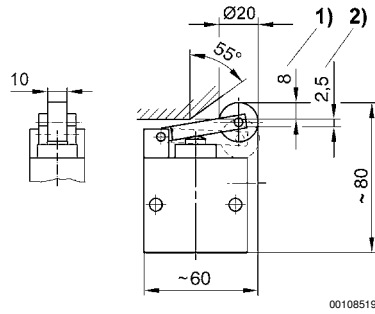
1) actuating stroke
2) overstroke
Dimensions of basic valve apply to all types of actuation.

Directional valves ▶ Mechanically operated

3/2-directional valve, Series AP

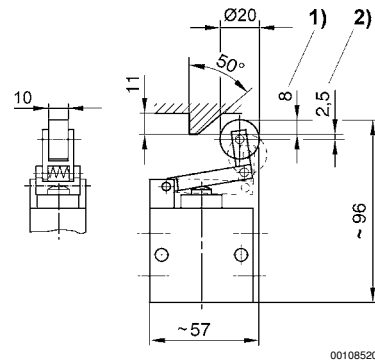
▶ Flow= 0.55 Cv ▶ pipe connection ▶ compressed air connection output: G 1/4

Dimensions, Fig. 2



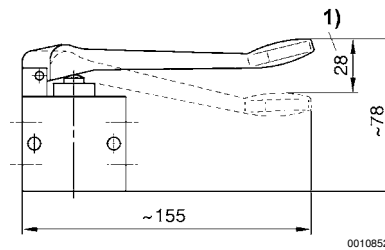
- 1) actuating stroke
- 2) overstroke

Dimensions, Fig. 3



- 1) actuating stroke
- 2) overstroke

Dimensions, Fig. 4

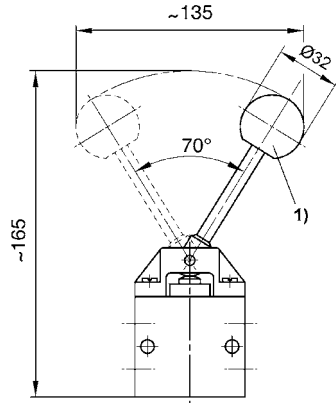


- 1) actuating stroke

3/2-directional valve, Series AP

▶ Flow= 0.55 Cv ▶ pipe connection ▶ compressed air connection output: G 1/4

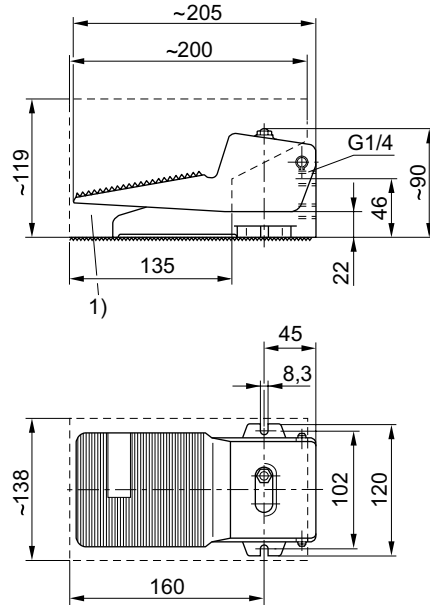
Dimensions, Fig. 5



00108522

actuating torque: 40 Ncm
1) Ball

Dimensions, Fig. 6



00108523

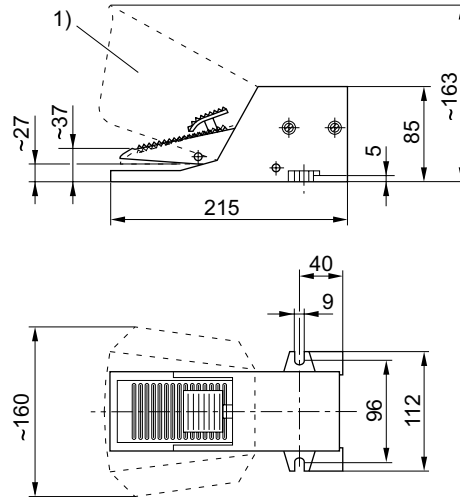
1) optional protective cover, part number 1828104001

Directional valves ▶ Mechanically operated

3/2-directional valve, Series AP

▶ Flow= 0.55 Cv ▶ pipe connection ▶ compressed air connection output: G 1/4

Dimensions, Fig. 7



00108524

1) optional protective cover, part number 1828104002