

# Serial Port Modbus Multiplexer

## SGW1-IA3-MMP



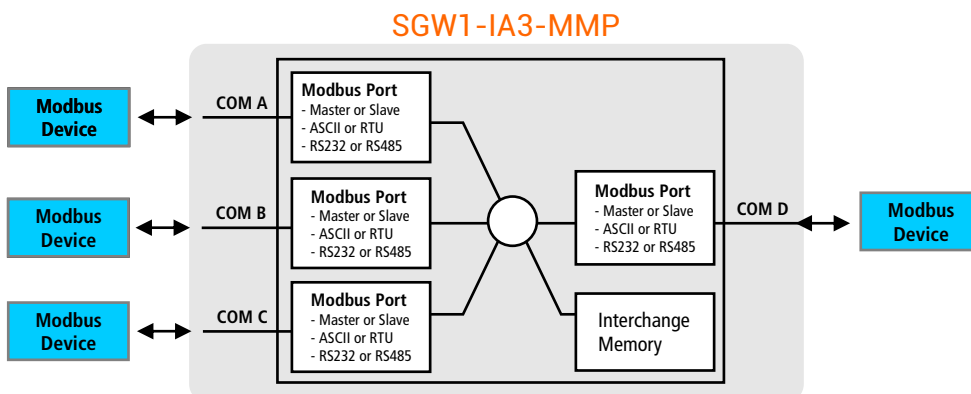
The SGW1-IA3-MMP is a multifunction device that allows to perform the following functions:

- 1) Modbus Port Multiplexing (Masters and Slaves)
- 2) Conversion of Modbus ASCII data to Modbus RTU, with different Baudrates and with RS232 or RS485 ports
- 3) Exchange of Registers between Modbus Masters, by means of an exchange memory

### ★ GENERAL FEATURES

- Up to 3 ports for Masters and up to 3 ports for Slaves.
- Transparent, without need for registers tables.
- Industrial fire proof enclosure with DIN Rail mounting.
- Wide power range, +10 to +30 Vdc.
- Easy configuration.
- Removable Industrial Terminal Blocks.
- USB Configuration

### ⚙️ INTERNAL SCHEMATIC



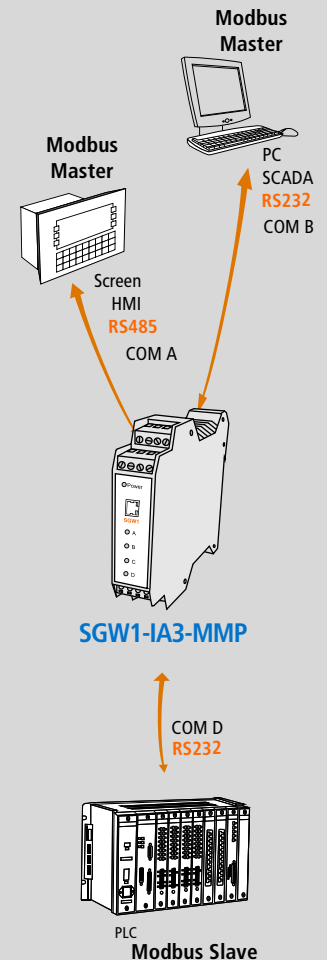
### ✓ 3 FUNCTIONALITIES ON 1 SINGLE EQUIPMENT

- Modbus Serial Port Multiplexer
- Modbus Conversion between ASCII and RTU (RS232 or RS485)
- Registers interchange between Modbus Masters



SGW1-IA3-MMP will allow you connect up to 3 Modbus ASCII/RTU masters to your Modbus ASCII/RTU slaves, transparently.

### Example of use 2 Masters Asking to the same one Modbus Slave



## TECHNICAL SPECIFICATIONS

- **Communication Protocols:** Modbus RTU and Modbus ASCII

---

- **Communication Ports:** 4 RS232/RS485 + 1 USB type B.

---

- **Configuration:** USB Console

---

- **Firmware upgrade:** Via RS232 console

---

- **LED's Indicators:** Power and Modbus DATA

---

- **Dimensions:** 100 mm x 22,5 mm x 112 mm (Height x Width x Large).

---

- **Power Input:** Voltage: 10 a 30 [Vdc] Current: 12 Vdc 70 [mA] / 24 Vdc 40 [mA].

---

- **Temperature:** Operation Temperature: -15 to 65 °C.  
Storage Temperature: -40 to 75 °C.

---

- **Warranty:** 1 Year, Technical Support Included

---




## ORDERING CODES

PART NUBER	DETAILS
SGW1-4B0-00-IA3-MMP	4 configurable ports RS232/RS485
SGW1-13B0-00-IA3-MMP-CF	1 port RS232 with RTS, and 3 configurable ports RS232/RS485



QUALITY SYSTEM ISO 9001:2008



GESTION DE LA CALIDAD

RI-9000-6174

Actividad por OAA

[www.exemys.com](http://www.exemys.com)

Support: [support@exemys.com](mailto:support@exemys.com)

Sales: [sales@exemys.com](mailto:sales@exemys.com)