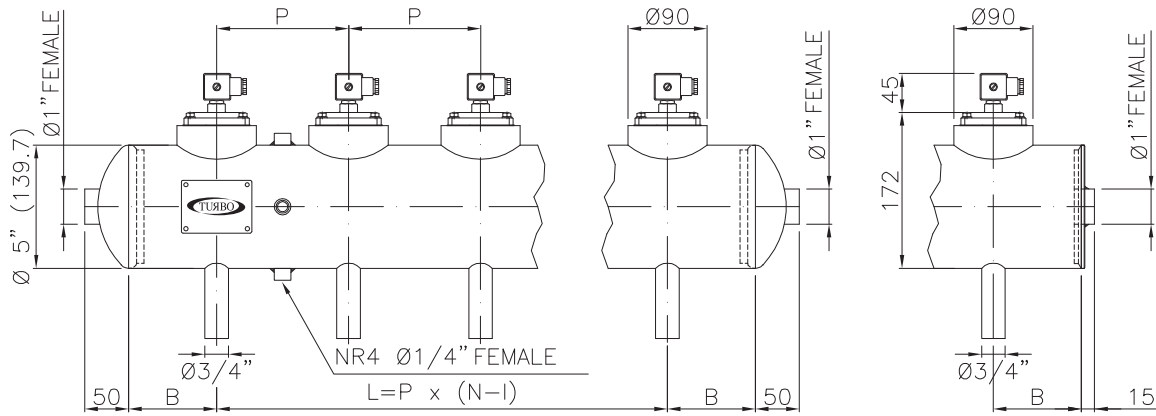
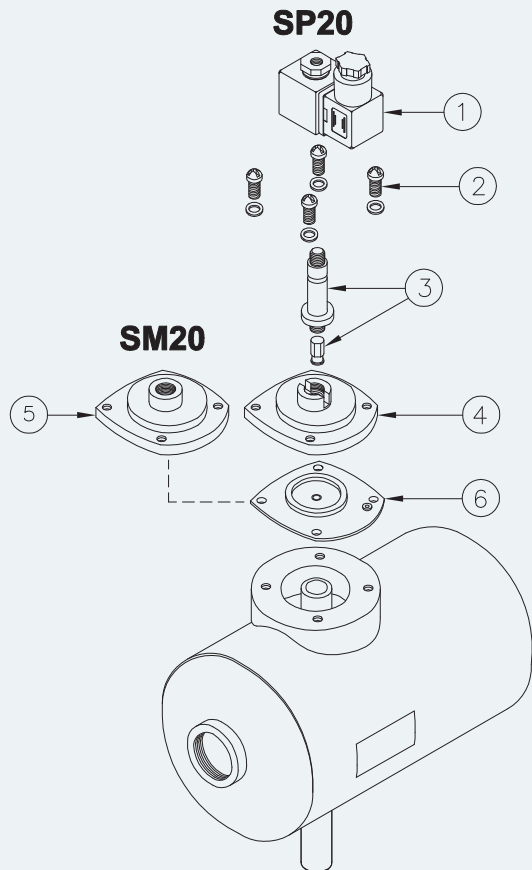


**5" INTEGRAL Series dn 5" with valves 3/4"**



P Min. = 120 / B Min. = 90

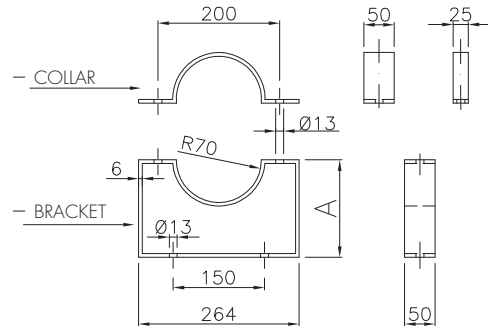
DESCRIPTION	VALVE SM20/SP20
1 Coil + Din connector	BH10...V/50-60Hz
2 Screws + Washer	TE6x18+VROS6
3 Pole assembly	GPC 10
4 Cover	TCOP 25
5 Cover remote operated	TCOP25FM
6 Diaphragm	M25



**BRACKETS**

CS = COLLAR  
 SA = HIGH BRACKET  
 SM = MEDIUM BRACKET  
 SB = SMALL BRACKET

A=180  
 A=160  
 A=95



SHORT PLAIN TUBE = G1  
 LONG PLAIN TUBE = G2  
 THREADED LONG TUBE = G3  
 THREADED SHORT TUBE = G4

**3/4"**

