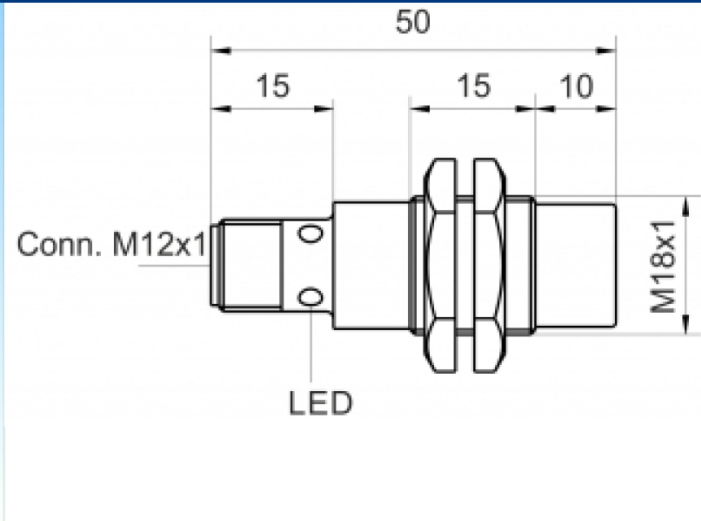




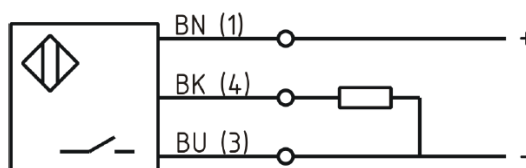
[Artikel Webseite anzeigen](#)

**Produktbeschreibung** **induktiver Sensor DC**



Name	KJ8-M18MN50-DPS-V2
Artikelnummer	08317842265
Matchcode	9984-2265
Schaltabstand	8 mm
Einbau	 nichtbündig
Schaltart	 Schließer
Signalart	DC PNP
Anschluss	Stecker M12

Anschlussschema



Maße (in mm)	Feingewinde M18 x 50
--------------	----------------------

**Technische Daten**

Betriebsspannung	10 - 30 VDC
Restwelligkeit Betriebsspannung	≤ 10 %
Spannungsabfall	2,4 V
Laststrom max	200 mA
Leerlaufstrom	≤ 13 mA
Reststrom	≤ 10 µA
maximale Schaltfrequenz	500 Hz
Hysterese	≤ 15 %
Betriebstemperatur	-25 ° C bis 70 ° C

**DC - 3 WIRE – L SERIES**  
**Brass, Nickel Plated (BN),**  
**Cylindrical, Threaded,**  
**18-30V DC, 120mA**  
**1 LED for Output Energized**

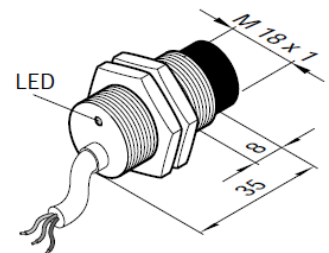
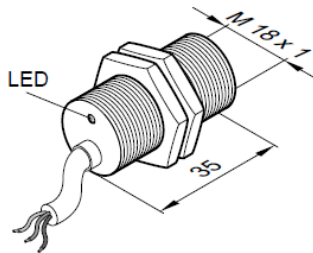
- *Short Body Sensors*
- *Economically priced*
- *Connector options*
- *Carries CE mark*

- IEC (529) IP67 (NEMA 1, 3, 4, 6, 12, 13) Protection
- Short Circuit Protection
- Overload Protection
- Reverse Polarity Protection
- Wire Break Resistance
- Temperature Range: -25 to 70°C (-13 to 158°F)

Sensing Distance	M18 Flush Mount 5mm (.20 in.)		M18 Non-Flush Mount 8mm (.31 in.)	
	Cable	65	Cable	65
<b>Cable or Connector Style Cat. No.</b>				
<b>PNP</b>	Normally Open	9984-2000	9984-2000	9984-2265
	Normally Closed			
<b>NPN</b>	Normally Open	9984-2100	9984-2300	9984-2365
	Normally Closed			
Ripple Voltage	≤10%	≤10%	≤10%	≤10%
Voltage Range	18V - 30V	18V - 30V	18V - 30V	18V - 30V
Supply Current	≤10 mA	≤10 mA	≤10 mA	≤10 mA
Max. Load Current	120 mA	120 mA	120 mA	120 mA
Voltage Drop Across Sensor	≤1.5V	≤1.5V	≤1.5V	≤1.5V
Max. Leakage Current	≤10 µA	≤10 µA	≤10 µA	≤10 µA
Switching Frequency	1000Hz	1000Hz	500Hz	500Hz
Hysteresis	≤15%	≤15%	≤15%	≤15%
Temperature Drift	≤10%	≤10%	≤10%	≤10%
Repeatability	.50mm (.02 in.)	.50mm (.02 in.)	.80mm (.031 in.)	.80mm (.031 in.)
Front Cap Material	PBTP	PBTP	PBTP	PBTP

**Fixed Cable**

PVC 2m (6ft. 6in.). For 5m (16ft. 5in.) cable length, change the last two digits of the part number to 02. For other cable lengths and/or PUR cable, please consult Altech. Supplied with Brass, Nickel Plated (BN) locknuts.



**65 Style Connector**

4-pin, Micro style, 12mm (.47 in.) supplied with Brass, Nickel Plated (BN) locknuts.

