



Ceramic and steel styli for your application requirements.

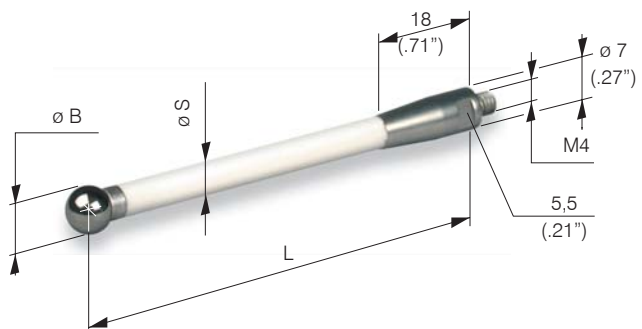
- styli for part and tool checking with tungsten-carbide tip
- styli with ceramic and stainless steel shaft
- M4 mounting threads for touch probes
- wide range of options
- engineered styli solutions upon request

How to choose the best stylus for the best precision

- 1) Use the shortest styli whenever possible.
- 2) Use ceramic when long styli are required.
- 3) Eliminate the use of extensions when possible.
- 4) Select appropriate styli ball for your application.

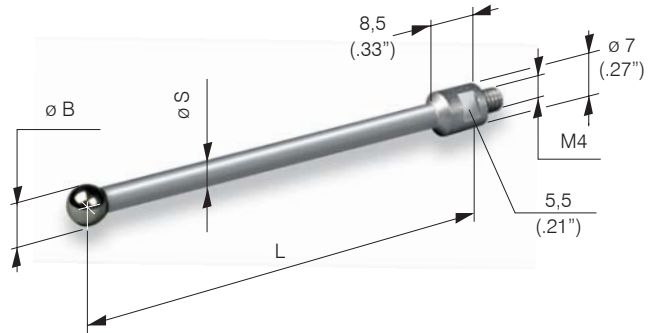
Straight styli with ceramic shaft and tungsten-carbide ball

L	B	S	CODE
mm (inch)	mm (inch)	mm (inch)	
35 (1.38)	6 (.23)	4 (.16)	3191910872
40 (1.57)	6 (.23)	4 (.16)	3191910873
45 (1.77)	6 (.23)	4 (.16)	3191910874
50 (1.97)	6 (.23)	4 (.16)	3191910875
70 (2.75)	7 (.27)	5 (.19)	3191910871
75 (2.95)	6 (.23)	4 (.16)	3191910870
100 (3.94)	6 (.23)	4 (.16)	3191910865
100 (3.94)	10 (.39)	4 (.16)	3191929210
125 (4.92)	7 (.27)	5 (.19)	3191929200
150 (5.90)	7 (.27)	5 (.19)	3191910860



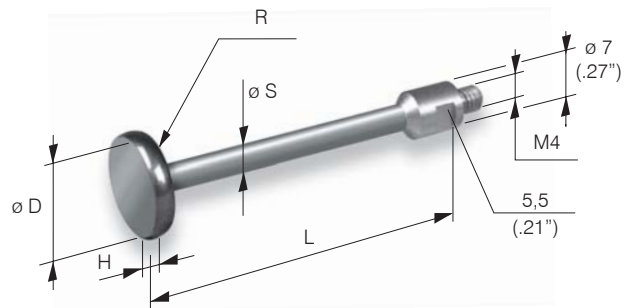
Straight styli with steel shaft and tungsten-carbide ball

L	B	S	CODE
mm (inch)	mm (inch)	mm (inch)	
25 (.98)	6 (.23)	4 (.16)	3191910811
30 (1.18)	6 (.23)	4 (.16)	3191910804
35 (1.38)	6 (.23)	4 (.16)	3191910805
40 (1.57)	6 (.23)	4 (.16)	3191910810
50 (1.97)	6 (.23)	4 (.16)	3191910815
70 (2.75)	6 (.23)	4 (.16)	3191910825
75 (2.95)	6 (.23)	4 (.16)	3191910830
80 (3.14)	6 (.23)	4 (.16)	3191910835
100 (3.94)	6 (.23)	4 (.16)	3191910840
150 (5.90)	7 (.27)	5 (.19)	3191910845



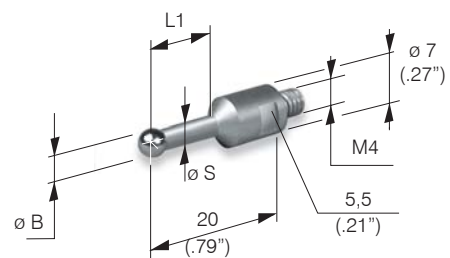
Straight styli with steel shaft and tungsten-carbide disc

L	D	S	H	R	CODE
mm (inch)	mm (inch)	mm (inch)	mm (inch)	mm (inch)	
8,5 (.33)	30 (1.18)	7 (.27)	3 (.11)	2 (.07)	3191927830
10,5 (.41)	14 (.55)	7 (.27)	4 (.15)	0	3191927863
21 (.82)	15 (.59)	4 (.15)	8 (.31)	0	3191927860
50 (1.97)	15 (.59)	4 (.15)	3 (.11)	2,5 (.09)	3191927827



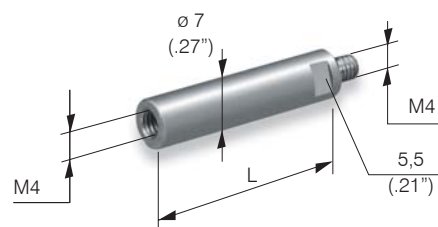
STRAIGHT STYLI 20 mm (.79") LONG WITH STEEL SHAFT AND TUNGSTEN-CARBIDE BALL

B	S	L1	CODE
mm (inch)	mm (inch)	mm (inch)	
1 (.04)	0,75 (.03)	4 (.16)	3191910806
2 (.08)	1,50 (.06)	7 (.27)	3191910807
4 (.16)	3 (.12)	10 (.39)	3191910808
6 (.24)	4 (.16)	11,5 (.45)	3191910803
8 (.32)	6 (.23)	11,5 (.45)	3191910809



Stylus extensions

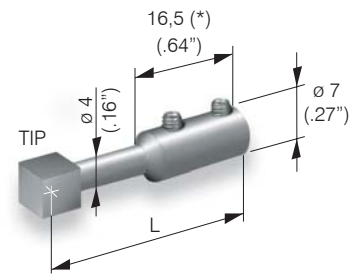
L	CODE
mm (inch)	
10 (.39) steel	1019108026
15 (.59) steel	1019108027
20 (.79) steel	1019108028
25 (.98) steel	1019108024
30 (1.18) steel	1019108029
30 (1.18) ceramic	2019108005
50 (1.97) steel	1019108025



Straight styli with steel shaft and tungsten-carbide tip

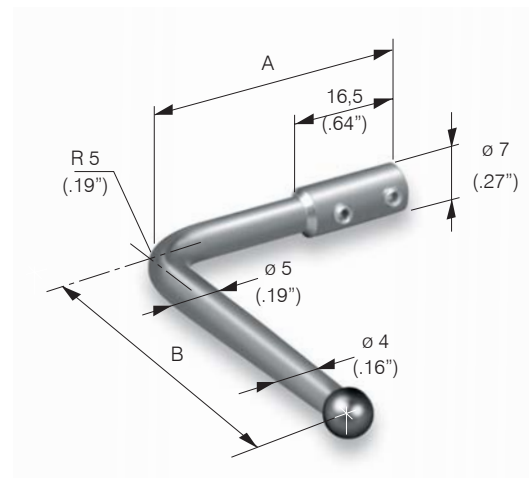
L mm (inch)	TIP mm (inch)	CODE	TO BE USED WITH CRASH PROTECTION PIN CODE
17 (.66)	10x10x4 (.39x.39x.16)	3191982502*	1019825075
17 (.66)	20x20x4 (.78x.78x.16)	3191927855*	1019825075
30,5 (1.20)	6x6x6 (.23x.23x.23)	3191910886	1015051100
35,5 (1.40)	6x6x6 (.23x.23x.23)	3191910887	1015051100
47,5 (1.87)	6x6x6 (.23x.23x.23)	3191910888	1015051100
60,5 (2.38)	6x6x6 (.23x.23x.23)	3191910889	1015051100
94,5 (3.72)	6x6x6 (.23x.23x.23)	3191910890	1015051100

(*) 11,5 (.45") INSTEAD OF 16,5 (.64")



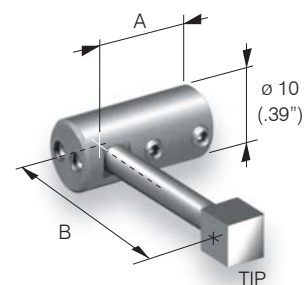
CRANKED STYLI WITH STEEL SHAFT AND Ø 6 mm (.23") TUNGSTEN-CARBIDE BALL

A mm (inch)	B mm (inch)	CODE	TO BE USED WITH CRASH PROTECTION PIN CODE
30 (1.18)	50 (1.97)	3191910876	1015051100
35 (1.38)	40 (1.57)	3191910877	1015051100
40 (1.57)	35 (1.38)	3191910878	1015051100
40 (1.57)	40 (1.57)	3191910879	1015051100
40 (1.579)	50 (1.97)	3191910880	1015051100
40 (1.57)	60 (2.36)	3191910881	1015051100
50 (1.97)	35 (1.38)	3191910882	1015051100
50 (1.97)	50 (1.97)	3191910883	1015051100
50 (1.97)	60 (2.36)	3191910884	1015051100
60 (2.36)	60 (2.36)	3191910885	1015051100



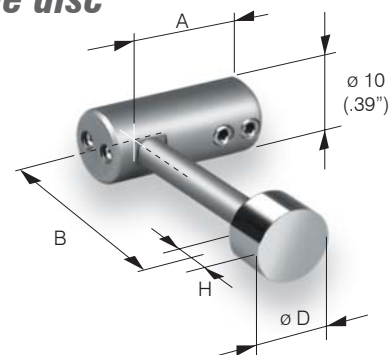
Cranked styli with steel shaft and tungsten-carbide tip

A mm (inch)	B mm (inch)	TIP mm (inch)	CODE	TO BE USED WITH CRASH PROTECTION PIN CODE
17 (.66)	32 (1.25)	10x10x4 (.39x.39x.16)	3191982506	1019825075
16,5 (.64)	32 (1.25)	6x6x6 (.23x.23x.23)	3191982507	1015051100



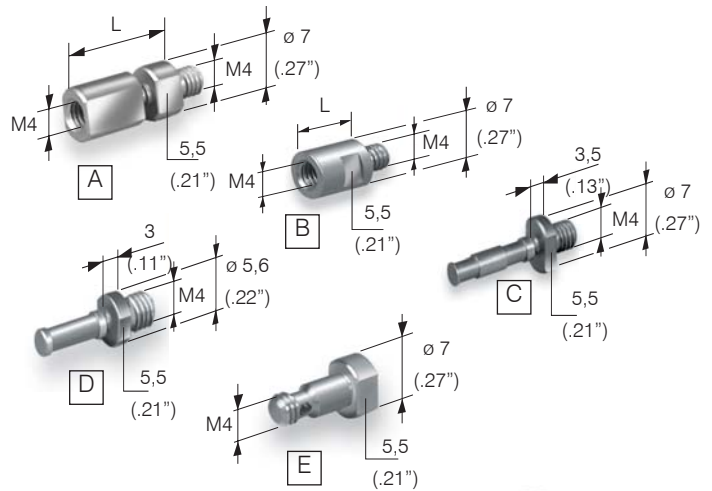
Cranked styli with steel shaft and tungsten-carbide disc

A mm (inch)	B mm (inch)	D mm (inch)	H mm (inch)	CODE	TO BE USED WITH CRASH PROTECTION PIN CODE
17 (.66)	32 (1.25)	15 (.59)	3 (.11)	3191982508	1019825075
17 (.66)	32 (1.25)	10 (.39)	6 (.23)	3191982510	1019825075



CRASH PROTECTION PINS

DESCRIPTION	CODE	
L= 15 mm (.59")	A	1019108005
L= 8 mm (.31")	B	1019108038
For grub screw stylus	C	1015051100
For tool checking with T18 probe	D	1019825075
Adapter screw	E	1019108004



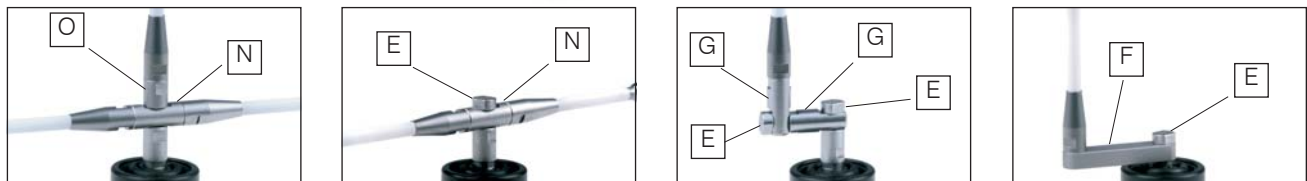
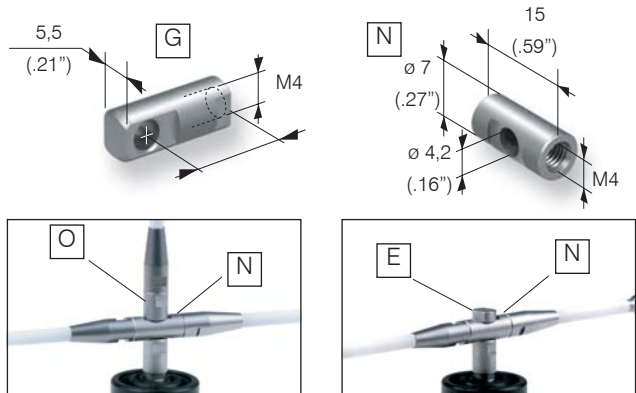
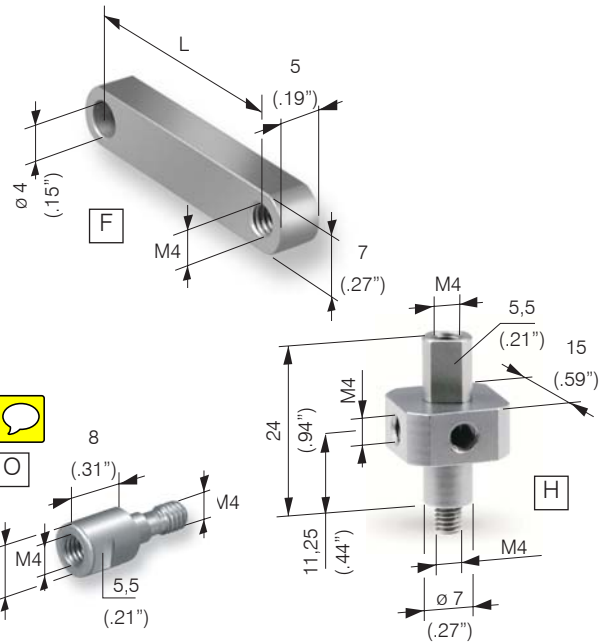
STYLUS RETAINER

DESCRIPTION	CODE
Stylus retainer	1019108003



STYLUS ADAPTERS

DESCRIPTION	CODE	TO BE USED WITH ADAPTER SCREW
Offset adapter L= 15 mm (.59")	F	1019278028 1019108004
Offset adapter L= 21,9 mm (.86")	F	1019108036 1019108004
Offset adapter L= 27,6 mm (1.08")	F	1019108037 1019108004
Offset adapter L= 40 mm (1.57")	F	1019278006 1019108004
Swivel adapter L= 10 mm (.39")	G	1019108001 1019108004
Swivel adapter L= 13,5 mm (.53")	G	1019108002 1019108004
Cross holder adapter	H	2019108000 -
T-Stylus adapter	N	1019108048 -
Screw holder for T-Stylus adapter	O	1019108047 -



MARPOSS
www.marposs.com

For a full list of address locations, please consult the Marposs official website

D6C00601G0 - Edition 11/2004 - Specifications are subject to modifications
© Copyright 2004 MARPOSS S.p.A. (Italy) - All rights reserved.

MARPOSS, ® and Marposs product names/signs mentioned or shown herein are registered trademarks or trademarks of Marposs in the United States and other countries. The rights, if any, of third parties on trademarks or registered trademarks mentioned in the present publication are acknowledged to the respective owners.

Marposs has an integrated system to manage the Company quality, the environment and safety, attested by ISO 9001, ISO 14001 and OHSAS 18001 certifications. Marposs has further been qualified EAQF 94 and has obtained the Q1-Award.

