

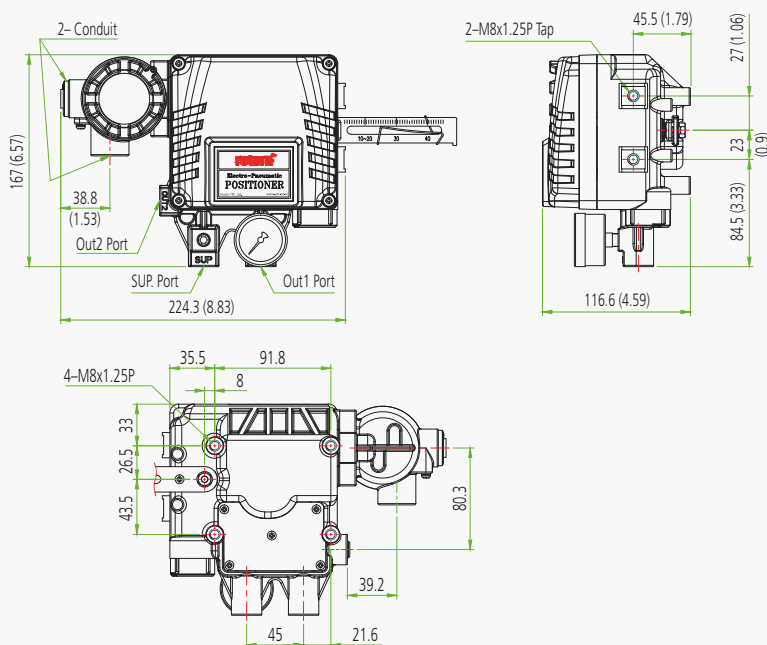
# Electro-Pneumatic Positioners YT-1000 / YT-1050

## Design features

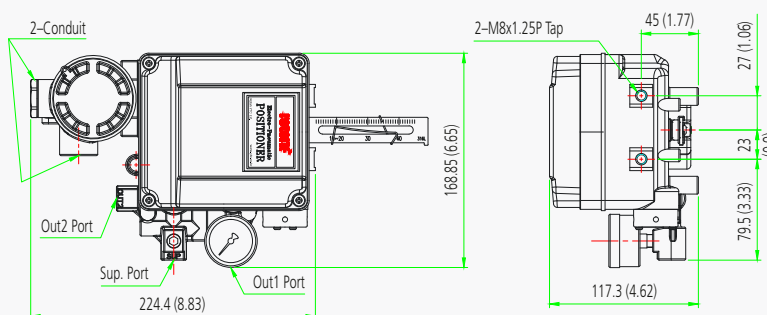
- **Simple zero and span adjustment.** Internal hand dials and locking screws for 4-20 mA range adjustments.
- **Reverse and direct acting settings.** Full and 1/2 split range setting by simple adjustment.
- **High vibration resistant.** No resonance between 5 to 200 Hz.
- **Internal feedback option.** Available on weatherproof model only.
- **Auto / manual switch.** Internal adjustment with lock screw safety.



## YT-1000 Aluminium Enclosure



## YT-1050 STS316 Enclosure



Dimensions: mm (Inches \*)

# Electro-Pneumatic Positioners YT-1000 / YT-1050

Item Type	YT-1000	YT-1050
Input Signal	4-20 mA DC	
Impedance	250 ± 15 Ω	
Supply Pressure	0.14 to 0.7 MPa = 1.4 to 7 bar = 20 to 102 psi	
Stroke	Linear Type	10 to 150 mm (0.4 to 6")
	Rotary Type	55 to 100°
Air Connection	Rc 1/4, 1/4 NPT, G 1/4	1/4 NPT
Gauge Connection	Rc 1/8, 1/8 NPT	1/8 NPT
Conduit	G(NPT)1/2, M20	G 1/2
Explosion Protection Type	<b>ATEX / IECEx</b> (II 2 G) Ex dmb IIB T5, Ex ia IIC T6	
	<b>EAC</b> 1 Ex dmb IIB T5	
	<b>INMETRO</b> (II 2 G) Ex dmb IIB T5	
	<b>KCs</b> Ex dmb IIB T5/T4 / Ex dmb IIC T5 / Ex ia IIB T6 Gb (pending)	<b>KCs</b> Ex dmb IIB T5
	<b>TS</b> Ex db mb IIB T5 Gb X	
	<b>CSA</b> (Class I, Zone 1) Ex dm IIB T5	
Ingress Protection	YT-1000: IP66, TYPE 4X (FM)	
	YT-1050: IP66	
	Single	± 1% F.S.
	Double	± 2% F.S.
Hysteresis	±1% F.S.	
Sensitivity	Single	± 0.2% F.S.
	Double	± 0.5% F.S.
Repeatability	± 0.5% F.S.	
Air Consumption	2.5 LPM (sup = 0.14 MPa) 0.8 CFM (sup = 20 psi)	
Flow Capacity	80 LPM (sup = 0.14 MPa) 2.83 CFM (sup = 20 psi)	
Material	Aluminium Diecasting	Stainless steel 316
Weight	YT-1000L: 2.7 kg (6.1 lb) YT-1000R: 2.8 kg (6.2 lb) YT-1050: 5.71 kg (12.6 lb)	

## Product Code

**YT-1000 - R - S - N - 1 - 1 - 4 - S - 0 - (0)**

### Model

YT-1000 = Aluminium  
YT-1050 = STS316

### Motion Type

L = Linear  
R = Rotary

### Acting Type

S = Single  
D = Double

### Explosion Protection<sup>1</sup>

N = Non-Explosion  
M<sup>2</sup> = Ex d m IIB, ATEX, IECEx, TS (YT-1000 only), KCs  
A<sup>2</sup> = CSA (YT-1000 only)  
C = Ex dmb IIC T5 KCs (YT-1000 only)  
E = Ex d EAC  
X<sup>2</sup> = TIIS (YT-1000 only)

T = Ex dm IIB INMETRO  
Z = Ex d mb IIB T5 Gb CCC  
B = Ex d mb IIC T6 Gb:CCC (YT-1000 only)  
G = Ex ia IIC T6 Ga CCC (YT-1000 only)  
F = FM (YT-1000 only)  
P = Ex ia IIC T6, NEPSI (YT-1000 only)

i = Ex ia IIC T6 Gb, ATEX/IECEx

### Lever Type

Linear	Rotary
1 = 10 to 40 mm	1 = M6 X 34L
2 = 30 to 70 mm	2 = M6 X 63L
3 = 60 to 100 mm	3 = M8 X 34L
4 = 100 to 150 mm	4 = M8 X 63L
	5 = NAMUR

### Orifice Type

1 = Φ1  
2 = Φ2  
3 = None

### Conduit & Air Connection

YT-1000	YT-1050
1 = G1/2 - Rc1/4	2 = G1/2 - 1/4 NPT
2 = G1/2 - 1/4 NPT	(N/A for CCC)
3 = G1/2 - G1/4	5 = 1/2 NPT - 1/4 NPT
4 = M20 - 1/4 NPT	(CCC only)
5 = 1/2 NPT - 1/4 NPT	

### Operating Temp. (Non-explosionproof)<sup>3</sup>

S = -20 to +70 °C (-4 to +158 °F)  
H = -20 to +120 °C (-4 to +248 °F)  
L = -40 to +70 °C (-40 to +158 °F)

### Option 1

YT-1000L	YT-1000R
0 = None	0 = None (St'd)
2 <sup>4</sup> = 4-20 mA feedback (Internal)	1 = Dome Cover
3 <sup>4</sup> = 4-20 mA feedback with LCD (Internal)	

### Option 2 (YT-1000R only)

0 = None  
1 = 4-20 mA feedback (Internal - only for non-explosion area protection)  
2 = 4-20 mA feedback (External, SPTM-6V, Explosionproof)  
3 = Limit Switch (Internal - only for non-explosion area protection)  
4 = Limit Switch (External, YT-850 (Non-explosion) or YT-870 (Explosionproof))  
5 = 4-20 mA feedback + Limit Switch (Internal - only for non-explosion area protection)  
6 = SPTM + Limit Switch (External, YT-870, Explosionproof)

### Notes:

- Only S of Operating Temperature is available for M (except KCs of YT-1000), T, F, H, P, X  
Only S, H of Operating Temperature are available for M (only KCs of YT-1000)  
Only S, L of Operating Temperature are available for A and C  
Only L of Operating Temperature is available for E.
- Please put the name of the certificate in a purchase order.
- This option is just the normal operating temperature of the product and is not related to explosion protection temperature. See certificates for explosion protection temperature.
- Non-explosionproof.