

Particulate Filter F43

= "Most Popular"

Specifications

Flow Capacity*	3	2900 SCFM (1368 dm ³ /s)
Maximum Supply Pressure	without DPI and with Pressure Gauge	250 PSIG (17.2 bar)†
	with DPI	150 PSIG (10.3 bar)
Operating Temperature	32° to 150°F (0° to 65.5°C)	
Port Size	NPT / BSPP-G	3
Bowl Capacity	14 oz	
Standard Filtration	5 Micron	
Weight	32.8 lb. (14.9 kg)	

* Inlet pressure 150 PSIG (10.3 bar). Pressure drop of 5 PSID (0.3 bar).

** Without pressure indicator – Max. supply pressure is 250 PSIG (17.3bar).

"F" Series Filters, Type "A" 5 micron elements: All Wilkerson Type "A" 5 micron elements **meet or exceed ISO Class 3** for maximum particle size and concentration of solid contaminants.

Materials of Construction

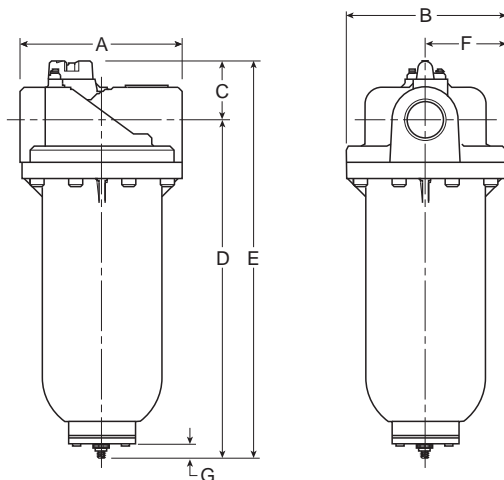
Baffle	Plated Steel
Body	Aluminum
Bowls	Aluminum
Deflector	Plated Steel
Filter Element	Polyethylene
Seals	Fluorocarbon
Stud	Plated Steel



F43-0E-000

Features

- Heavy-duty Cast Aluminum Housings to Withstand Operating Pressures Up to 250 PSIG*
- Differential Pressure Indicator to Eliminate the Guesswork of Element Replacement
- Differential pressure gauge available, order separately, Kit DP3-01-000
- Unique Drain Mounting Plate Design Offers a Trouble-free Method for Interchanging and Installing External Drains
- 5 Micron High Flow Particulate Element



NOTE: Standard filter includes tapped 1/2 NPT / BSPP-G drain plate. To order internal float drain shown, order drain adapter plate GRP-95-391 and automatic drain GRP-95-981.

Dimensions

Models	Inches (mm)	A	B	C	D	E	F	G
Standard Unit F43-0E-000		8.94 (227)	8.88 (225.5)	3.48 (88)	25.96 (659.4)	29.44 (748)	4.44 (112.8)	.55 (14)

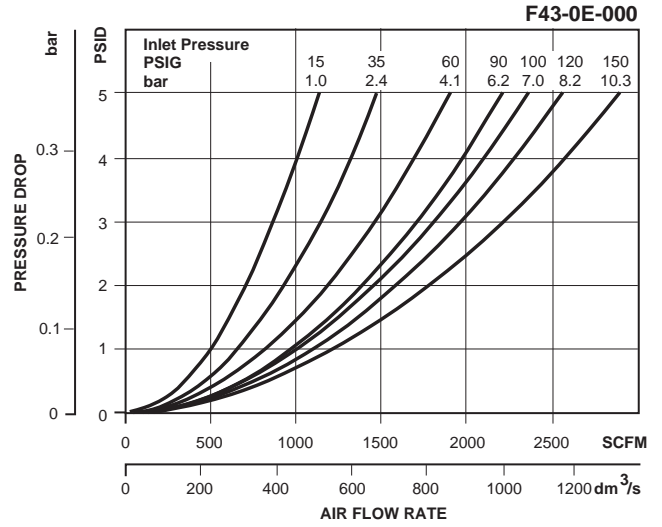
= "Most Popular"

Replacement Element Kit

Element, F43, 5 Micron, Fluorocarbon O-rings.....FRP-95-508

Accessories

- Cap, Differential Pressure Indicator –
For pressures over 150 PSIG..... GRP-95-022
- Drain, Automatic, Internal, Fluorocarbon,
1/8 NPT GRP-95-981
- Drain Plate Kit –
1/2 NPT tapped drain port GRP-95-393
5/16 Dia. Drain Port,
For use with Internal Auto Drain GRP-95-391
- Gauge, Differential Pressure DP3-01-000
- Indicator, Differential Pressure..... DP2-02-001
- Manual Drain Kit
Includes 1/2" Drain Plate, Manual Drain..... GRP-95-392
- Manual Override for Auto Float Drain –
GRP-05-981 Required GRP-96-000



B
Filters, Regulators, Lubricators

Ordering Information

Model Type	Port Size	Metal Bowl
F43	3	F43-0E-000 (Includes 1/2 NPT / BSPP-G Drain Plate)

Options - To order an option supplied with the unit model, add the appropriate coded suffix letter in the designated position of the model number.