

XGP 2L: Heavy-duty, pneumatic control-pressure adjuster

Areas of application

Remote adjuster for setpoint adjustment of pneumatic controllers (e.g. Centair) with large capacity.
Manual control of pneumatic control units.

Features

- Integrated minimum or maximum limiting of control pressures
- Setting knob with interchangeable scales and 2 stops for limiting the setting range or locking the setting
- Suitable for fitting into panels or for recessed mounting
- Complies with directive 97/23/EC Art. 3.3 on pressure equipment

Technical description

- Supply pressure 1.3 bar \pm 0.1

Type	Setting range ¹⁾ bar	Air capacity I_n/h	Weight kg
XGP 2L F001	0...1,2	400	0,09
Supply pressure ²⁾	1,3 \pm 0,1 bar	Permissible ambient temp.	0...55 °C
Air consumption ³⁾	7 I_n/h	Connection diagram	A03466
Output pressure	0...1,2 bar	Dimension drawing	M297370
		Fitting instructions	MV 7321

Accessories

- 0296936 000*** Bracket for EN 60715, 35 \times 7,5 and 35 \times 15 rail
- 0296937 000*** Bracket for C EN 60715-C20 rail and for wall mounting
- 0296218 000*** Buckle-proof connector-adaptor for push-on installation
- 0296990 000*** Buckle-proof connector-adaptor for screw-type installation; MV 7322

*) Dimension drawing or wiring diagram are available under the same number

- 1) Scale: 0...1,2 bar, 'tail' increasing in thickness. Rear scale: 0...1,2 bar, 'tail' decreasing. Inscrutable scale (0...100%) is included underneath the normal scale.
- 2) See Section 60 on regulations concerning the quality of supply air, especially at low ambient temperature.
- 3) 40 I_n/h when measuring connection is open (provides greater response sensitivity).

Operation

The transmitter's functions can be split up as follows:-

Pressure adjustment

The output pressure increases when the adjuster knob is turned in a clockwise direction. If greater response sensitivity is required, the measuring connection (M4 sealing screw) must be loosened by one or two turns.

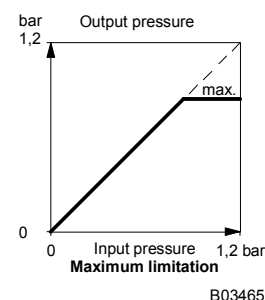
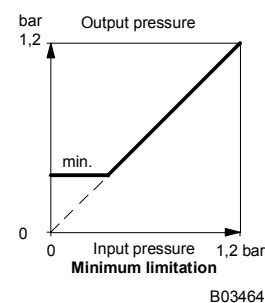
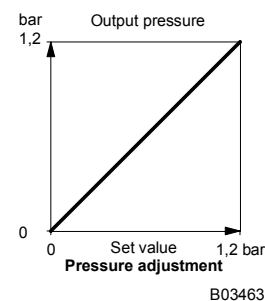
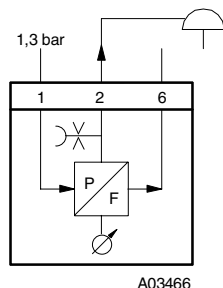
Minimum limitation

The minimum value increases when the adjuster knob is turned in a clockwise direction. The setting of the minimum value is protected by an in-built diode. The M4 sealing screw is closed for both bleed-off and non-bleed-off systems.

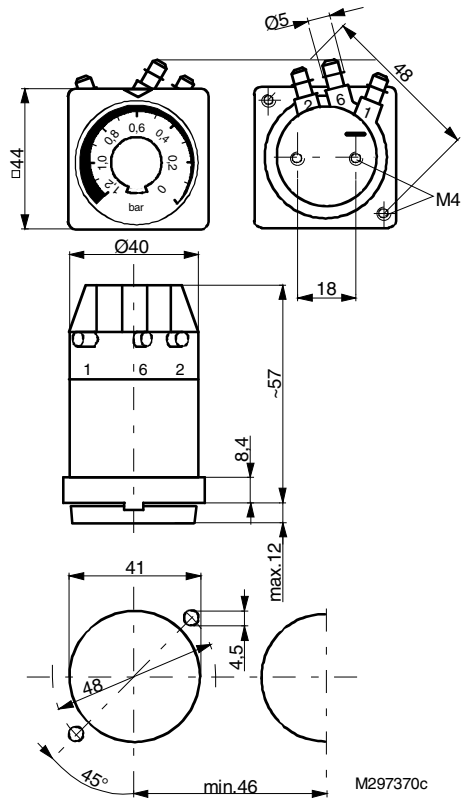
Maximum limitation

The maximum value increases when the adjuster knob is turned in a clockwise direction. The M4 sealing screw is closed for bleed-off systems; for non-bleed-off systems, the M4 sealing screw must be loosened by one or two turns.

Connection diagram

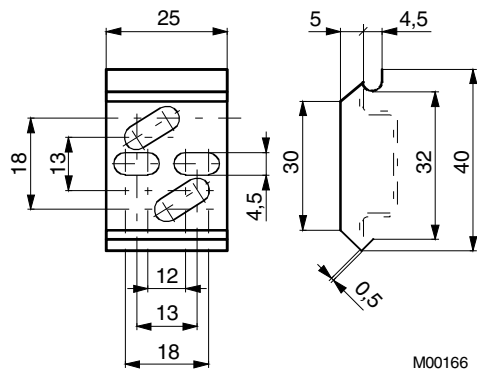


Dimension drawing

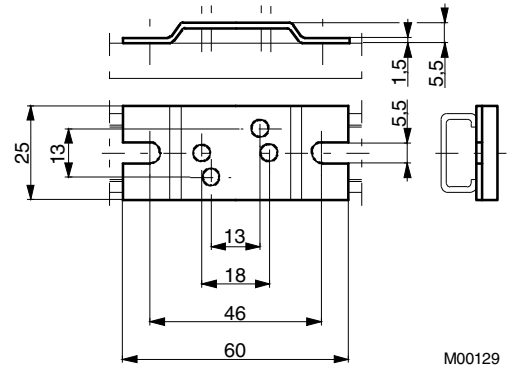


Accessories

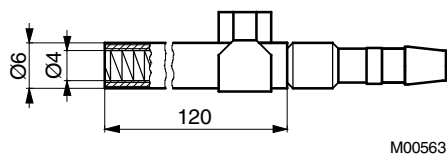
296936



296937



296218



296990

