

2-Way full-bore Flat Body Flanged Brass Ball Valve

ART. 115



Standard executions:

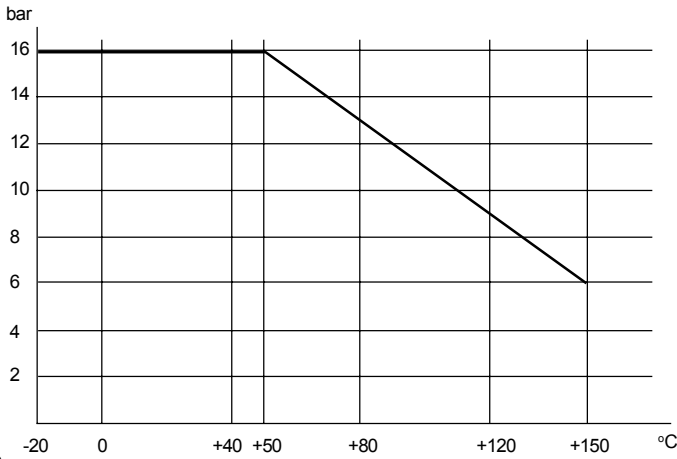
Flanges according to: UNI 2223 and 2229 PN 16
 Working temperature: from -20°C to +150°C for fluid
 from -20°C to +60°C for gas
 Working pressure: 16 bar for all dimensions.
 Fluid range: water, air, gas, petroleum and petrochemical products.
 Not suitable for aggressive media.
 ISO 5211 connection to actuators

On request:

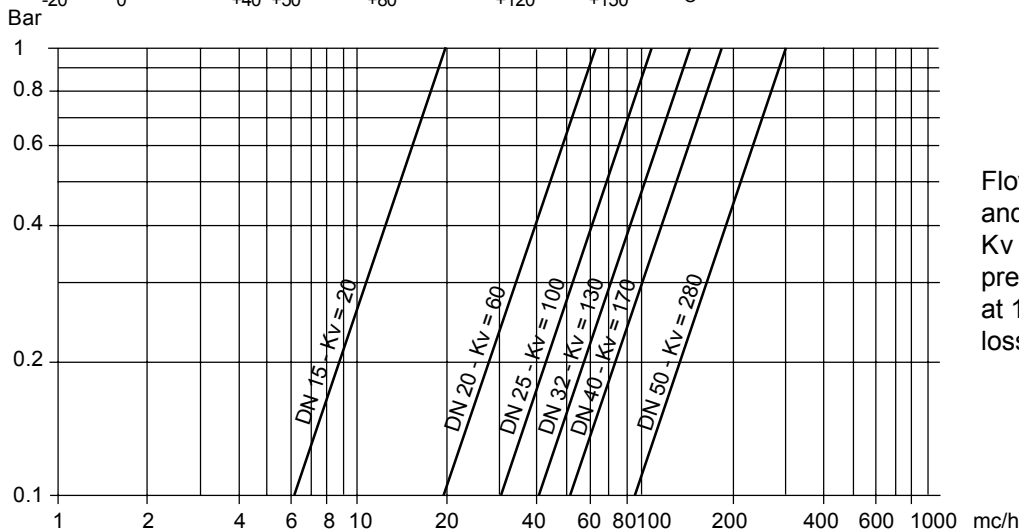
For other applications, please contact our technical department.

VALVE CODES IN STANDARD EXECUTION

size	DN 15	DN 20	DN 25	DN 32	DN 40	DN 50
Free shaft	V115X604	V115X605	V115X606	V115X607	V115X608	V115X609
weight Kg.	0.85	1.2	1.7	2.8	3.6	5
with lever	L115X604	L115X605	L115X606	L115X607	L115X608	L115X609
weight Kg.	0.9	1.25	1.8	2.9	3.75	5.15



Pressure/Temperature diagram



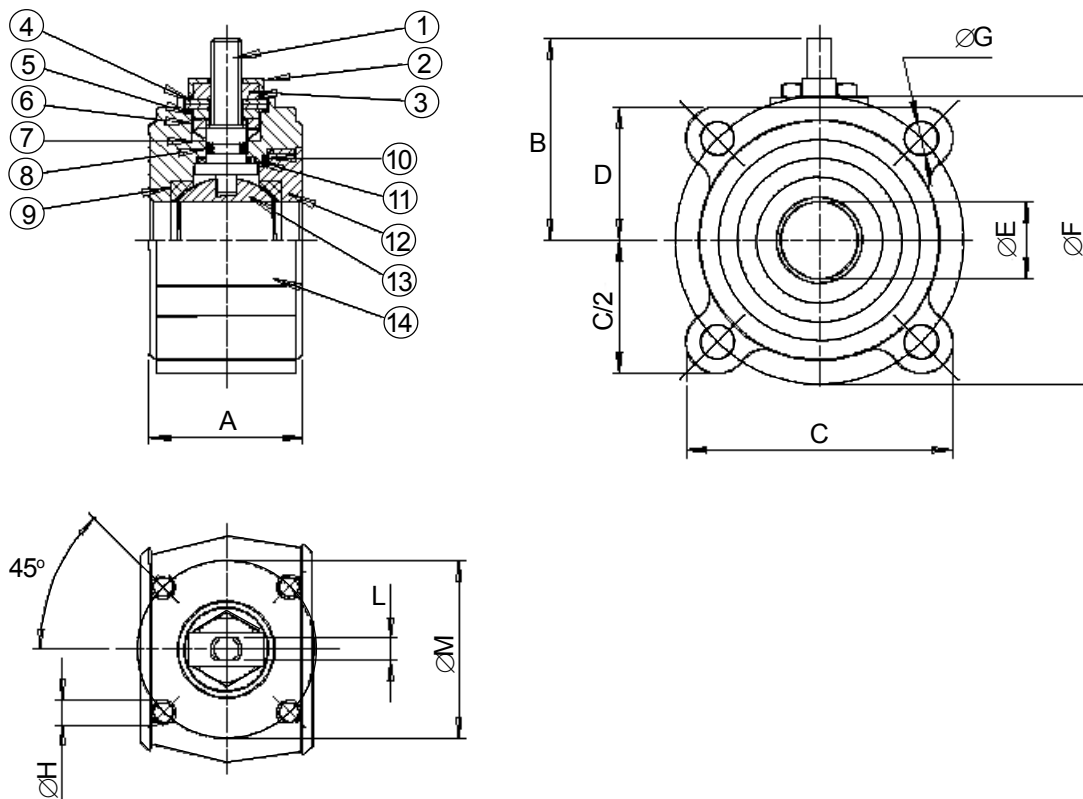
Flow-pressure loss diagram and Kv nominal coefficient. Kv is the coefficient, expressed in m³/h (with water at 15°C) causing a pressure loss of 1 bar.

BREAK AWAY TORQUES Nm

size	DN 15	DN 20	DN 25	DN 32	DN 40	DN 50
PN 0 bar						
PN 16 bar	5.8	9	12.3	21	32	43
PN 25 bar						
PN 40 bar						

Torque can vary depending on temperature and type of fluid; a safety factor of 1.4 must be applied. Torque can drop on high frequency of operations.

VALVE TYPE 115



MATERIALS

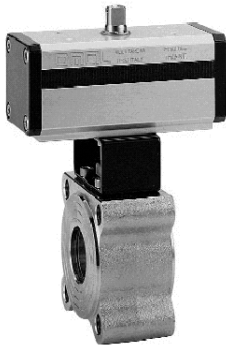
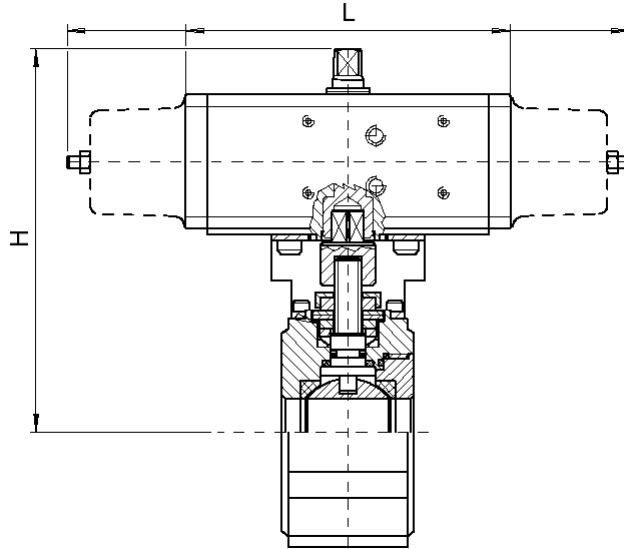
1) Shaft	AISI 304	1.4301	UNI X5CrNi 18 10
2) Nut holder	AISI 304	1.4301	UNI X5CrNi 18 10
3) Lock nut	AISI 304	1.4301	UNI X5CrNi 18 10
4) Spring	50 CrV4		
5) Standstill	AISI 304	1.4301	UNI X5CrNi 18 10
6) Gland nut ring	AISI 304	1.4301	UNI X5CrNi 18 10
7) Top sealing	P.T.F.E.		
8) intermedia O-ring	FKM		
9) Seals	P.T.F.E.		
10) O-ring	P.T.F.E.		
11) Bottom sealing	P.T.F.E.		
12) Ring nut *	Brass		EN 12164 CW614N
13) Ball chromium plated	Brass		EN 12164 CW614N
14) Body *	Brass		EN 12165 CW617N

* Surface treatment: bright nickel plating

DIMENSIONS

Size	A	B	C	D	øE	øF	øG	øH	L	øM
DN 20	38	51	74	34	20	75	M12	M5	6	36
DN 32	50	67	96	46	32	100	M16	M5	8	42
DN 50	70	87	115	57	50	125	M16	M6	10	50
DN 15	35	48	64	31	15	65	M12	M5	6	36
DN 25	43	62.5	83	39.5	25	85	M12	M5	8	42
DN 40	60	80	105	50	40	110	M16	M6	10	50

AUTOMATED VALVE TYPE 115



DOUBLE ACTING PNEUMATIC ACTUATOR

Model	Actuator	Mounting kit	DN mm	L mm	H mm	Weight Kg
D115H064	DA015401S	KCF031315	15	114	143	2
D115H065	DA030401S	KCF031315	20	130	154	2.4
D115H066	DA030401S	KCF031317	25	130	159.5	2.9
D115H067	DA045402S	KCF042354	32	144	172	4.1
D115H068	DA060402S	KCF042355	40	152	180	5.3
D115H069	DA090401S	KCF051322	50	169	195	7.4

SPRING RETURN PNEUMATIC ACTUATOR

Model	Actuator	Mounting kit	DN mm	L mm	H mm	Weight Kg
S115H064	SR015401S	KCF031315	15	221	151	3
S115H065	SR030402S	KCF042353	20	240	164	3.4
S115H066	SR030402S	KCF042354	25	240	169.5	3.8
S115H067	SR045401S	KCF051909	32	294	184	5.3
S115H068	SR060401S	KCF051322	40	320	206	7.3
S115H069	SR090401S	KCF071323	50	357	233	10