

SPECIFICATION FOR APPROVAL

KAKU

版本号/REV:KA01



GB/T 19001-2016/ISO 9001: 2015标准

Certificate No.04617-Q11837R1M

客户名称/**CUSTOMER** :
 客户料号/**CUSTOMER P/N.** :
 样品编号/**SAMPLE NO.** :
 产品型号/**MODEL NO.** :**KA2208HA2BMT-4P/OR**
 详细描述/**DESCRIPTION.** :
 制作日期/**ISSUE DATE.** :**2019-3-14**

制作 Make		
核准 Approved	审核 Auditing	经办 Prepared
莫富民	刘庆南	沈春雷
DATE: 2019年 03月14日		



客户承认 Customer acknowledges		
核准 Approved	审核 Auditing	工程 Engineering
DATE: 年 月 日		

THIS OFFER IS MADE ACCORDING TO YOUR CURRENT INQUIRY. UNLESS OTHERWISE REVISED, THIS SPECIFICATION WILL BE FINAL FOR ALL FUTURE PRODUCTION OF ORDERS FROM YOUR RESPECTED COMPANY.

感谢您选择我公司产品，如果确认符合贵司要求，劳烦将首页签章回传到我公司。

Thanks for your interest in our products. Please sign and return this page to us after confirming your approval.

上海卡固电气设备有限公司
SHANGHAI KAKU ELECTRIC EQUIPMENT CORP
 NO.26/G/H, T1, 2601, Xie Tu Road, Xu Hui District, Shanghai, China
 Tel: (021)-64260133/4 Fax: (021)-64262244

Website: www.shkaku.com

规格说明书 Specifications

A. 一般规格(General Specification)

项目/ITEM	规格.条件/Specification Condition	
型号/Part No.	KA2208HA2BMT-4P/OR	
外型尺寸 / Dimension	Ø222×80mm	
额定电压 / Rated Voltage	220VAC	
启动电压 / Start-up Voltage	165VAC	
操作电压 / Operating Voltage	198~242VAC	a. 额定电压 / Rated Voltage b. 25℃ c. 65% RH d. Measured after 5 Mins
额定转速 / Rated Speed	1400/1700rpm±10%	
额定电流 / Rated Current	0.12A/0.13A	
额定功率 / Rated Power	27/29W	
最大风量 / Max Airflow	296/358CFM	
最大静压 / Max Static Pressure	0.24/0.35Inch-H2O	
噪音分贝 / Acoustic sound level	53/56dB	
马达保护/PROTECITON	[]ZP [√]TP []EP	
可追加功能/OPTIONAL FUNCTIONS	[]PWM []FG []RD	
重量/Weight	1800g/pcs	
绝缘等级/Insulation	[]B class []/	
安规/Safety Approval	[√]UL [√]CE [√]ROHS [√]3C []IP55 []-50℃ [√]Mg impeller	

额定电流& 额定转速& 额定输入功率，须在额定电压下，在常温25℃情况下，马达连续转5分钟达到规格下限，10分钟达到正常值

Rated current rated speed, and rated input power shall reach bottom line of specification after 5 minutes continuous rotation at rated voltage and reach standard specification after 10 minutes continuous at rated voltage.

启动电压是指当突然通电后能够使风扇起动之最低电压

Starting voltage is the least voltage that enables to start the fan by sudden power on.

上海卡固电气设备有限公司
KAKU CORPORATION

规格说明书 Specifications

B.主要材料,零件规格(Main Materials, Parts Specification)

轴 承/Bearing	<input checked="" type="checkbox"/> 双滚珠轴承 (Dual Ball Bearing) <input type="checkbox"/> 含油轴承 (Sleeve Bearing)
外框材质/Frame	<input checked="" type="checkbox"/> High quality magnesium alloy die-casting frame with ED coating+powder coating.
	<input type="checkbox"/> High quality Aluminum alloy die-casting frame with ED coating+powder coating.
	<input type="checkbox"/> P.B.T+30%GF(Glass fiber) UL 94V-0
扇叶材质/Impeller	<input checked="" type="checkbox"/> High quality magnesium alloy die-casting frame with ED coating+powder coating.
	<input type="checkbox"/> High quality Aluminum alloy die-casting frame with ED coating+powder coating.
	<input type="checkbox"/> P.B.T+30%GF(Glass fiber) UL 94V-0
接线方式/Connection type	<input checked="" type="checkbox"/> 端子式Terminal suit with 0.5×3×7mm PIN
	<input type="checkbox"/> 导线/Lead Wire
	<input type="checkbox"/> UL1007 22AWG, 2 wires 310±10mm
	<input type="checkbox"/> 60277 IEC53(RVV)300/500V 2*0.75mm ²
	<input type="checkbox"/> Red(+) <input type="checkbox"/> Black(-) <input type="checkbox"/> Blue (RD) <input type="checkbox"/> Yellow(FG) <input type="checkbox"/> White(PWM)
端子/Connector	无/No
套管/Tube	无/No
垫片材料/Washer Material	<input checked="" type="checkbox"/> PET <input type="checkbox"/> SUS304
单片护网/Finger guard	<input checked="" type="checkbox"/> ABS <input type="checkbox"/> METAL <input checked="" type="checkbox"/> 1PC Included in this fan
螺丝附件/Accessories	<input checked="" type="checkbox"/> PV1.25-3A-0.5 terminal×2 <input checked="" type="checkbox"/> M5 bolt×4 <input checked="" type="checkbox"/> Earth bolt×1 <input type="checkbox"/> RJDZ 222-412 terminal clip×2

C.电气规格(Electrical Specification)

绝缘阻抗Insulation Resistance

在本体与两条导线间加500V直流电压之绝缘阻抗在10MΩ以上
At least 10MΩ at 500 VDC between housing and both lead wires.

绝缘耐压Dielectric Strength

必须能抵抗在本体与两线间加500V交流电压1分钟1mA
Withstand 500 VAC 1 minute 1mA between housing and both lead wires.
 2 seconds at 2200 V
 2 seconds at 1800 V

上海卡固电气设备有限公司
KAKU CORPORATION

规格说明书 Specifications

D.特性规格&定义(Characteristics&definition)

操作温度/Operating temperature

储存温度Storage temperature

湿度范围/Humidity RH

寿命预估 / Life Expectancy

回转方向/ Rotating Direction

老化测试/Endurance test line

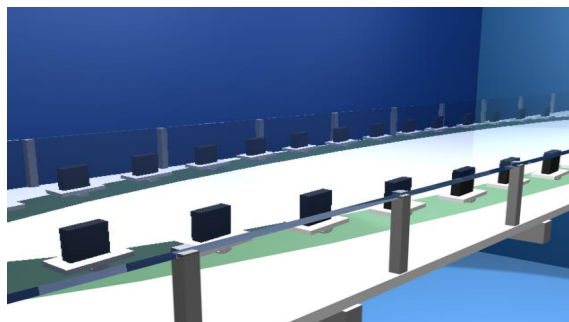
[]-50℃ ~ +70℃ [√]-40℃ ~ +70℃ []-10℃ ~ +70℃ []others

The storage temperature will be suggested at -20℃ ~ 85℃ to ensure a better performance standards. 20 % ~ 85 % (Max)

20000h at 25degrees without Load continuous operation at rated voltage and normal humidity

Rotation direction is according to the arrow mark which die-caste on the housing. A clear“= >” (arrow mark)shall be found on the body of housing.

All the fans should be put on the endurance test line. Then we run the fan 30 minutes with 1.05 times of the rated voltage to test the function performance of the fan.



额定电流 / Rated Current

启动电压/Start Voltage

额定转速 / Rated Speed

额定功率/Input power

风量静压/Air flow & static pressure

Rated current shall be measured after 30 minutescontinuous rotation at rated voltage.

The voltages that enable to start the fan by sudden switch on.

Rated speed shall be measured after 30 minutes continuous rotation at rated voltage.

Input power shall be measured after 30 minutes continuous rotation at rated voltage.

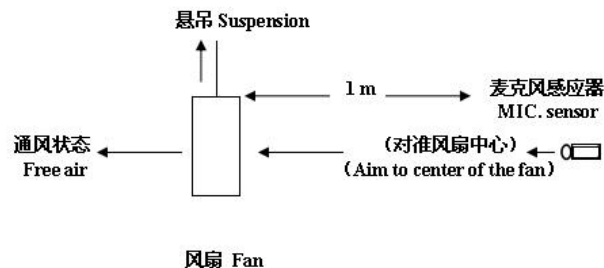
The air flow data and static pressures are determined in accordance with AMCA standard or DIN 24163 specification in a double-chamber testing with intake-side measurement.

上海卡固电气设备有限公司
KAKU CORPORATION

规格说明书 Specifications

噪音值/Noise level

The measurement of noise level is carried out with reference to CNS8753 in a an echoic chamber with the microphone positioned 1 M from the air intake. Testing fan shall be hung in clear air.



E.注意事项/Note:

我们提供的产品应在规格书指定的条件内使用，如果您的应用超出规格极限，我们对此不保证产品质量。

Our products should be used within the specification appointed condition, so we will not guarantee this product quality if your application exceeds the limitations outlined in this specification.

建议安装风扇保护罩，以免对人员造成意外伤害。 Please use fan guards to avoid personal accidental injuries.

除非IP等级中有特殊说明，否则该款风扇只能在正常环境下操作。 Unless this fan motor is specified for use in abnormal environments designated by IP rating level, this fan is designed to operate under normal environmental conditions.

当风扇在灰尘环境中使用时，请在风扇进风口处安装过滤装置以延长风扇使用寿命。

Please use filters to clean the air-intake in very dusty air environments for extended fan life.

在保证产品性能及寿命不变，或者得以提升的条件下。除非事先约定，我们保留使用同等规格多种来源零件的权利，原材料和结构的变更不做预先通知。 Unless prior agreement, We reserve the right to use components with equivalent specifications from multiple sources, so material and construction are subject to change without advance notice.

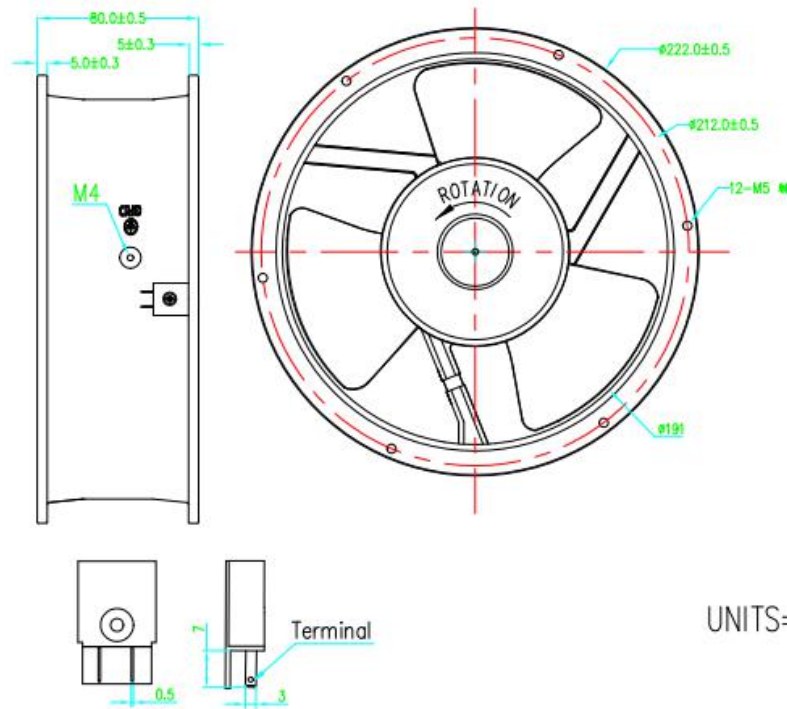
请确保风扇在规定的温湿度储存环境中，如果风扇存储6个月以上，我们建议客户测试风扇功能后再使用。

Always ensure that fans are stored according to the storage temperatures specified. Do not store in a high humidity environment. If the fans are stored for more than 6 months, we recommend functional testing before using.

上海卡固电气设备有限公司
KAKU CORPORATION

规格说明书
Specifications
H. PQ Curve

G.外形尺寸 outlines dimension



UNITS=mm

