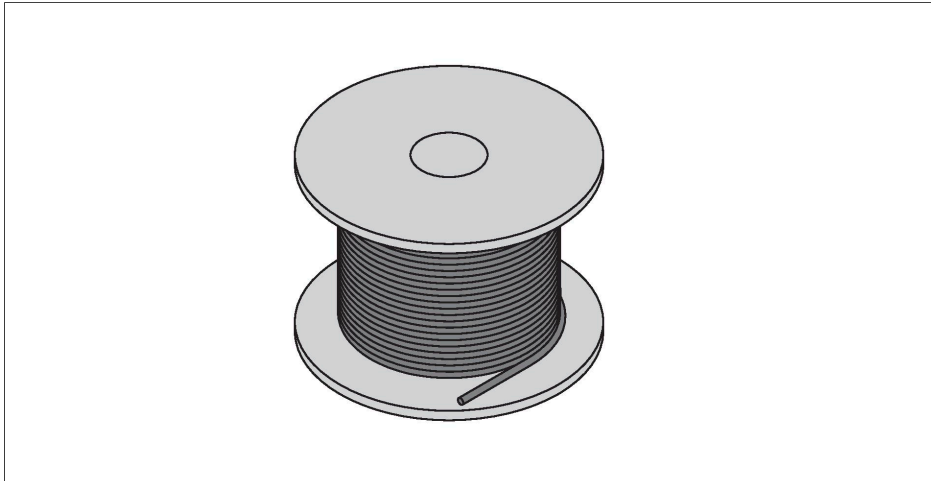


# CABLE5X0.34-SH-PVC-BK-500M/TEL

## Actuator and Sensor Cable, PVC – Bulk Cable



### Features



- Jacket material: PVC with shielding
- Jacket color: black
- Resistant to chemicals and oils
- Flame retardant
- Resistant to acids and alkaline solutions
- Resistant to microbes and hydrolysis
- LABS-free
- Approval: cULus
- RoHS conform
- Protection class IP67
- Cable length: 500 m

### Technical data

Type	CABLE5X0.34-SH-PVC-BK-500M/TEL
ID	6627975
<b>Cable</b>	
Cable diameter	Ø 6.1 mm ±0.20
Cable length	500 m
Cable jacket	PVC, Black
Core insulation	PVC
Core cross-section	5 x 0.34 mm <sup>2</sup>
Arrangement of strands	42 x 0.1 mm
Core colors	BN, WH, BU, BK, GY
<b>Electrical properties at +20 °C</b>	
Test voltage	2000 V
Current	4 A
Insulation resistance	> 30.5 MΩ/km
forward resistance	max. 57 Ω/km
<b>Mechanical and chemical properties</b>	
Bending radius (stationary installation)	≥ 5 x Ø
Bending radius (flexible use)	≥ 10 x Ø
Ambient temperature range (stationary)	-40 °C...+105 °C
Ambient temperature range (In motion)	0 °C...+80 °C

### Cable Cross-Section

