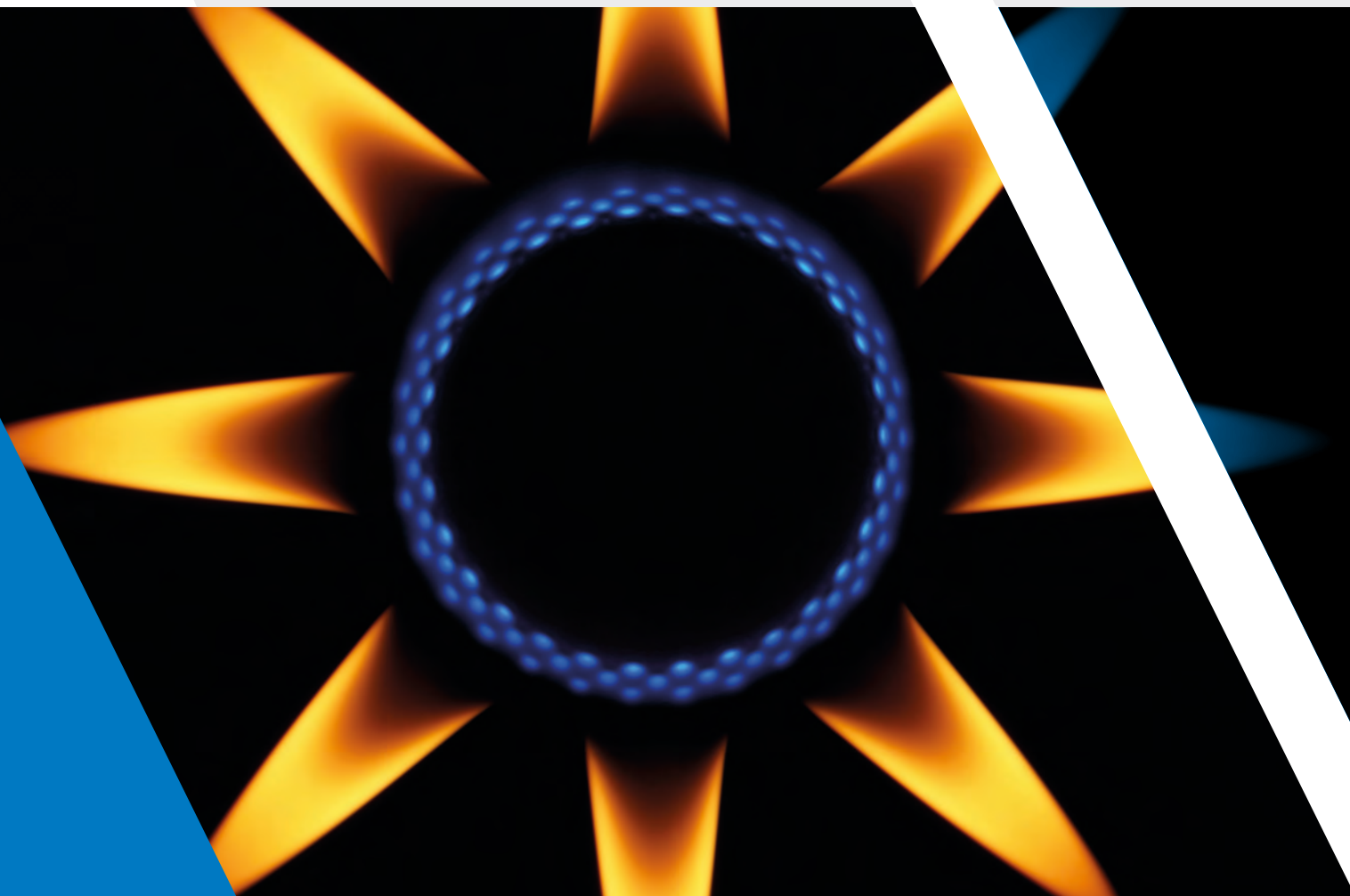


2017 Catalogue

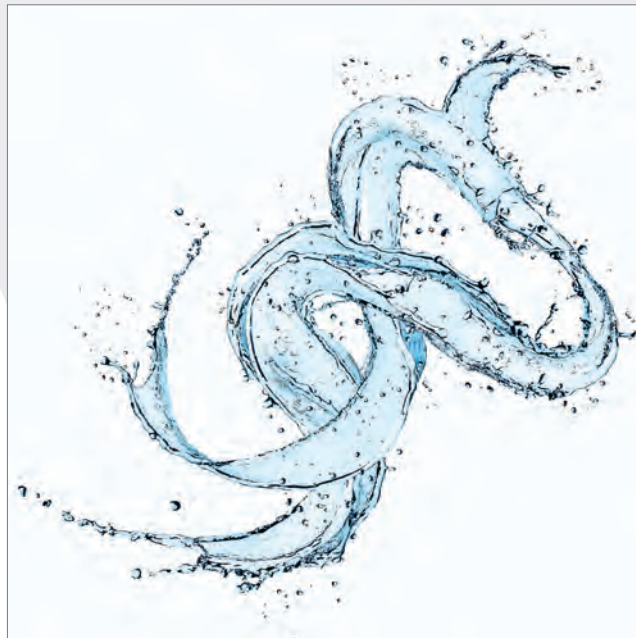
Components and systems
for combustion





Innovative products, which have become milestones in the plumbing and heating sector: since 1874, Watts Water Technologies has been contributing to technological research in the industry, with a sharp focus on **continuous innovation** and **top quality**. Thanks to its in-depth know-how and eternal values, such as reliability, ethics and care for human health, safety and the environment, Watts is now a **benchmark** for the industry and for the plumbing and heating trade. On the strength of its **historic experience** and its capacity for large-scale manufacturing of both components and complex systems, the biggest companies and the best distributors of plumbing and heating products choose Watts as their partner.

Advanced
plumbing and heating
solutions



Combustion

Giuliani Anello is the Watts product line for combustion systems since 1962. A complete range of products for heating and industrial burners of diesel oil, fuel oil, gas oil and gas safety systems. Our R&D Department support our customer needs with a continuous product development using tri-dimensional design software, a thermostatic room with a test operating temperatures , air compressor testing loop. The production is 100% tested. We have over 40 automatic testing desks able to detect any leakage and record for a constant quality management.



Index

1. COMPONENTS FOR GAS, DIESEL AND FUEL OIL SYSTEMS	8
1.1 Fuel shut-off valves	10
Fuel shut-off and jerk handle on/off valves	10
Overall dimensions	11
1.2 Devices for gas	12
Air and gas filter	13
Overall dimensions	15
Vibration-damping and dielectric joints	16
Overall dimensions	17
Pressure regulators	19
Overall dimensions	28
Pressure regulators 4 bar	30
Overall dimensions	33
Slam shut-off and relief valves	34
Overall dimensions	36
Air/gas ratio control valves	37
Overall dimensions	38
Automatic on-off solenoid valves	38
Overall dimensions	42
Solenoid valves with manual resetting	44
Overall dimensions	55
Gas leak detectors	57
Overall dimensions	59
Extendable flexible joints	61
Protection device	62
1.3 Devices for diesel and fuel oil	64
Strainer filters	65
Magnetic filters	72
Filters with electronic heater	74
Magnetic filters with electronic heater	77
Special filters	78
Parts for strainer filters	81
Overall dimensions	86
Self-cleaning filters	90
High-pressure self-cleaning filters	92
Heated self-cleaning filters	93
Waste oil filters	96
Parts for strainer filters	96
Overall dimensions	98
System components	100
Parts for diesel solenoid valves	101
Overall dimensions	102
Level indicators, probes and accessories	103
Pick-up assemblies	104
Fittings	105
Diesel safety	106
Leak detectors systems	107
Overall dimensions	108
Nozzles	109

The descriptions and photographs contained in this product specification sheet are supplied by way of information only and are not binding. Watts Industries reserves the right to carry out any technical and design improvements to its products without prior notice. Warranty: All sales and contracts for sale are expressly conditioned on the buyer's assent to Watts terms and conditions found on its website at www.wattsindustries.com. Watts hereby objects to any term, different from or additional to Watts terms, contained in any buyer communication in any form, unless agreed to in a writing signed by an officer of Watts.

Chapter 1

Components for
gas, diesel
and fuel oil
systems

EV - Solenoid valve with manual resetting



Explosion-proof version
Models with position indicator
Various supply voltages

giuliani anello

Chapter 1.1

Fuel shut-off valves

FUEL SHUT-OFF AND JERK HANDLE ON/OFF VALVES

JH

Jerk-handle on/off valve remotely controlled by cable and LACPT series fire-safety lever. Aluminium body. Stainless steel operating lever. PN 6 bar. Room temperature: -10÷60°C. Max. fuel temperature: 80°C. Fuels: natural gas, town gas, LPG, diesel and fuel oil. ISO 7005/2 flanged connections. **Compliant with PED 2014/68/EU - EC 0497(DN 125-150).**

Type	Part Number	Connection	Q.ty/Box	Box/Carton
JH15	006.0170.000	1/2"	1	1
JH20	006.0171.000	3/4"	1	1
JH25	006.0172.000	1"	1	1
JH32	006.0173.000	1.1/4"	1	1
JH40	006.0174.000	1.1/2"	1	1
JH50	006.0175.000	2"	1	1
JH65	006.0176.100	DN 65	1	1
JH80	006.0177.100	DN 80	1	1
JH100	006.0178.000	DN 100	1	1
JH125	006.0179.000	DN 125	1	1
JH150	006.0180.000	DN 150	1	1

Dimensions on page 11



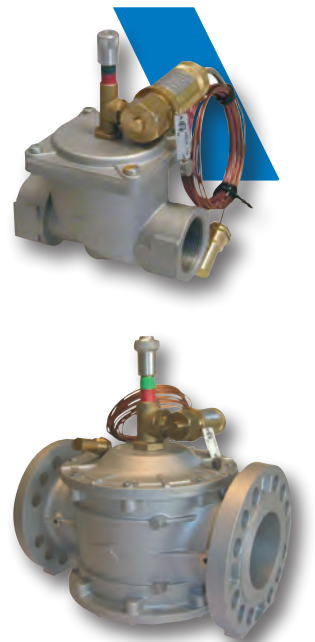
VIC/A

Fuel shut-off valves. Compatible with natural gas, town gas, LPG, diesel and fuel oil. Positive action with manual resetting. Capillary length 6m. Aluminium body, stainless steel springs. NBR gaskets. 1/2"M sensor sheath connection. Setting temperature: 96 ± 3°C. Max. operating pressure: 1 bar. Max. temperature, sensor side: 130°C. Max. temperature, valve side: 70°C. Flanged model connections. PN16 EN 1024.

ISPESL approved and set. Compliant with ATEX 2014/34/EU.
Compliant with: PED 2014/68/EU.

Type	Part Number	Connection	Q.ty/Box	Box/Carton
VIC/A12	006.0150.000	1/2"	1	1
VIC/A34	006.0151.000	3/4"	1	1
VIC/A100	006.0152.000	1"	1	1
VIC/A114	006.0153.000	1.1/4"	1	1
VIC/A112	006.0154.000	1.1/2"	1	1
VIC/A200	006.0155.000	2"	1	1
VIC/A212	006.0156.100	DN 65	1	1
VIC/A300	006.0157.100	DN 80	1	1
VIC/A400	006.0158.000	DN 100	1	1

Dimensions on page 11

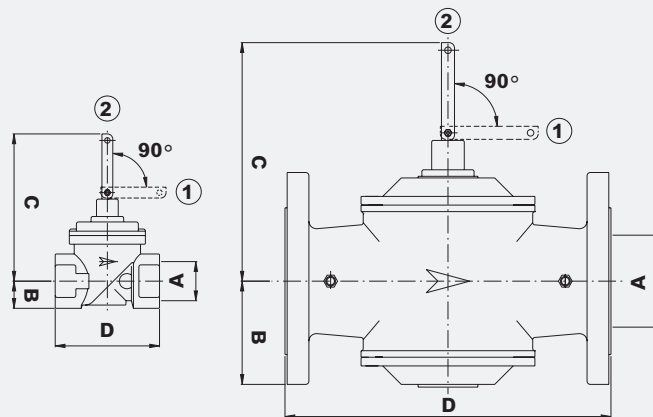


PARTS

Type	Part Number	Description	Q.ty/Box	Box/ Carton
1140	014.0008.000	Valve bulb 10 cm. Length	1	1
1153	014.0009.000	VIC/A. Valve bulb	1	1
***		Factory check: capillary replacement and INAIL's update set		
***		Certification: INAIL updated set.		

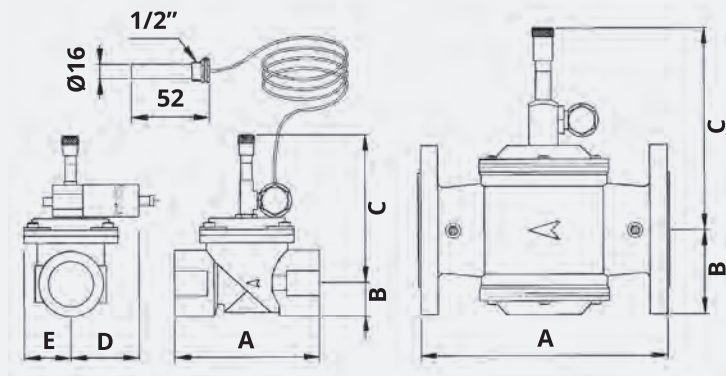
OVERALL DIMENSIONS

JH



Mod. JH	15	20	25	32	40	50	65	80	100	125	150
A	1/2"	3/4"	1"	1"1/4	1"1/2	2"	65	80	100	125	150
B	15	25	25	31	31	40	100	100	115	170	170
C	157	172	172	220	220	223	290	290	297	412	412
D	76	96	96	154	154	173	300	300	360	480	480

VIC/A

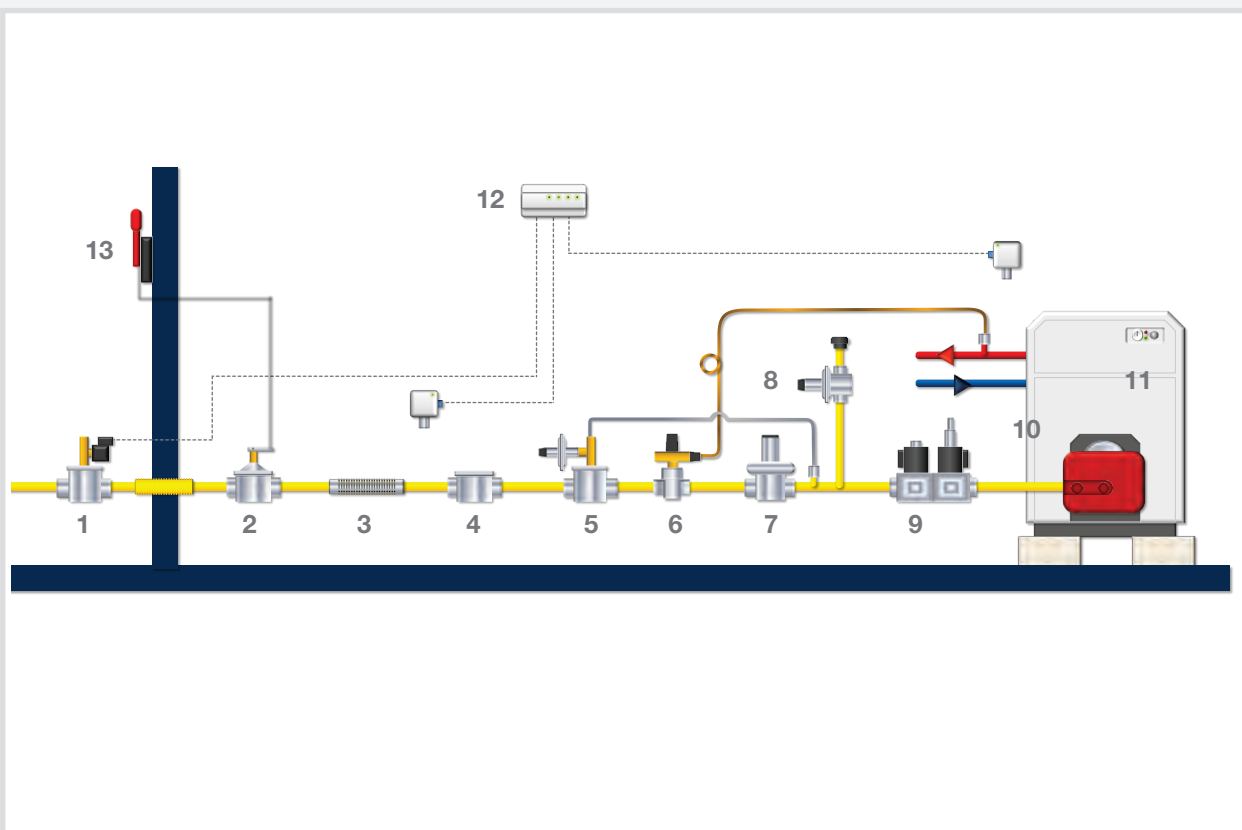


Mod. VIC/A	1/2"	3/4"	1"	1"1/4	1"1/2	2"	DN65	DN80	DN100
A	76	96	96	154	154	173	300	300	360
B	15	25	25	31	31	39	95	95	105
C	118	139	139	168	168	169	219	219	227
D	90	85	85	85	85	85	-	-	-
E	25	35	35	52	52	64	-	-	-

Chapter 1.2

Devices for gas

ACCESSORIES FOR GAS LINES

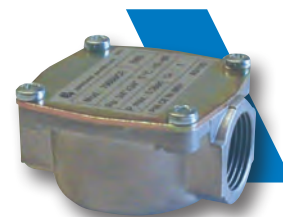


- | | |
|---|------------------------------------|
| 1. Solenoid valve with manual resetting | 8. Relief valve |
| 2. Jerk handle on/off valve | 9. ON/OFF valve |
| 3. Vibration-damping joint | 10. Burner |
| 4. Strainer filter | 11. Boiler |
| 5. Slam shut-off and relief valve | 12. Gas leak detector |
| 6. Fuel shut-off valve | 13. Jerk-handle on/off valve lever |
| 7. Pressure regulator | |

AIR AND GAS FILTERS

70600

Aluminium wall-mounting gas filter with galvanised steel cover; Viledon P15/500S filter element approved to DIN EN779, synthetic filter cage; NBR cover O-ring. Suitable for manufactured gas, natural gas, liquefied petroleum gas (LPG), non-aggressive gas and air. Filtration rating 50 µm. PN 0.5. Operating temperature range: -10÷80°C.



Type	Part Number	Connection	Q.ty/Box	Box/ Carton
70609	007.0030.100	1/2"	36	36
70608	007.0031.100	3/4"	36	36

Dimensions on page 15

70600/1B

Aluminium gas filter; Viledon P15/500S filter element approved to DIN EN779, synthetic filter cage; NBR cover O-ring. Suitable for manufactured gas, natural gas, liquefied petroleum gas (LPG), non-aggressive gas and air. Filtration rating 50 µm. PN 1. Operating temperature range: -20÷80°C.



Type	Part Number	Connection	Q.ty/Box	Box/ Carton
70611/1B	007.0040.100	1/2"	1	1
70612/1B	007.0041.100	3/4"	1	1
70602/1B	007.0042.100	1"	1	1
70604/1B	007.0043.100	1.1/4"	1	1
70603/1B	007.0044.100	1.1/2"	1	1
70631/1B	007.0045.100	2"	1	1

Dimensions on page 15

70600/6B

Aluminium gas filter; filter element composed of two Viledon P15/500S panels approved to DIN EN779, synthetic filter cage with penetration-resistant steel reinforcement; NBR cover O-ring. With two tapping points. Suitable for manufactured gas, natural gas, liquefied petroleum gas (LPG), non-aggressive gas and air. PN 6 with 2 tapping points. Filtration rating 50 µm. Operating temperature range: -20÷80°C.



Type	Part Number	Connection	Q.ty/Box	Box/ Carton
70611/6B	007.0060.000	1/2"	1	1
70612/6B	007.0061.000	3/4"	1	1
70602/6B	007.0062.000	1"	1	1
70604/6B	007.0063.000	1.1/4"	1	1
70603/6B	007.0064.000	1.1/2"	1	1
70631/6B	007.0065.000	2"	1	1

Dimensions on page 15

70600F/6B

Aluminium gas filter; long-life filter element with high dust-absorption composed of two Viledon P15/500S panels approved to DIN EN779, synthetic filter cage with penetration-resistant steel reinforcement; NBR cover O-ring. Suitable for manufactured gas, natural gas, liquefied petroleum gas (LPG), non-aggressive gas and air. PN 6 with 2 tapping points. Filtration rating: 50 µm. Operating temperature range: -20÷80°C.



Type	Part Number	Connection	Q.ty/Box	Box/ Carton
70603F/6B	007.0050.100	DN 40	1	1
70631F/6B	007.0051.100	DN 50	1	1
70610F/6B	007.0052.200	DN 65	1	1
70620F/6B	007.0053.200	DN 80	1	1
70640F/6B	007.0054.100	DN 100	1	1
70650F/6B	007.0055.100	DN125	1	1
70660F/6B	007.0056.100	DN150	1	1

Dimensions on page 15

70680

High-efficiency aluminium gas filter; polyester felt filter element; aluminium mesh cage. Suitable for manufactured gas, natural gas, liquefied petroleum gas (LPG), non-aggressive gas and air. PN 6. Filtration rating 5 µm. Operating temperature range: -20÷80°C.



Type	Part Number	Connection	Q.ty/Box	Box/ Carton
70684	007.0012.000	1"	1	1
70685	007.0013.000	1.1/4"	1	1
70686	007.0014.000	1.1/2"	1	1
70687	007.0015.000	2"	1	1

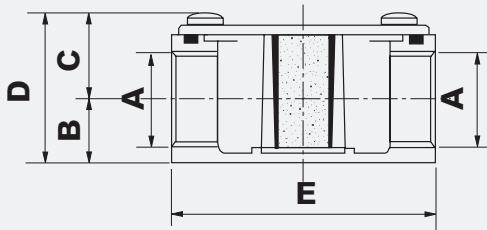
Dimensions on page 15

PARTS AND ACCESSORIES

Type	Part Number	Description	Q.ty/ Box	Box/ Carton
70516	014.0053.000	Wall mounting bracket	1	1
3215	014.0090.001	Filter element+ filter's cover gasket	1	1
3216	014.0091.001	Filter element+ filter's cover gasket for 70611/1B e 70612/1B	1	1
3217	014.0092.001	Filter element+ filter's cover gasket for 70602/1B, 70603/1B e 70604/1B	1	1
3218	014.0093.001	Filter element+ filter's cover gasket for 70631/1B	1	1
3219	014.0094.001	Filter element+ filter's cover gasket for 70603F/6B	1	1
3220	014.0095.001	Filter element+ filter's cover gasket for 70631F/6B	1	1
3226	014.0104.000	Filter element+ filter's cover gasket for 70610F/6B and 70620F/6B	1	1
3223	014.0098.001	Filter element+ filter's cover gasket for 70640F/6B	1	1
3225	014.0099.001	Filter element+ filter's cover gasket for 70650F/6B	1	1
3224	014.0100.001	Filter element+ filter's cover gasket for 70660F/6B	1	1
3216/6B	014.0091.002	Filter element+ filter's cover gasket for 70611/6B and 70612/6B	1	1
3217/6B	014.0092.002	Filter element+ filter's cover gasket for 70602/6B, 70603/6B and 70604/6B	1	1
3218/6B	014.0093.002	Filter element+ filter's cover gasket for 70631/6B	1	1
60680	014.0042.000	Filter element+ filter's cover gasket for 70684, 70685 and 70686	1	1
60687	014.0043.000	Filter element+ filter's cover gasket for 70687	1	1
1639	014.0006.001	Pressure testing 1/8" (1.000 pz. packaging)	100	100
1639	014.0006.002	Pressure testing 1/8" (1.000 pz. packaging)	1000	1000
1640	014.0007.001	Pressure testing 1/4" (1.000 pz. packaging)	100	100
1640	014.0007.002	Pressure testing 1/4" (1.000 pz. packaging)	1000	1000

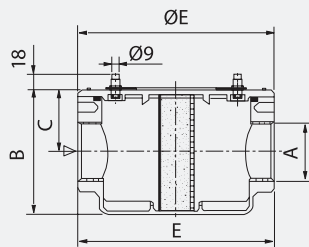
OVERALL DIMENSIONS

70600



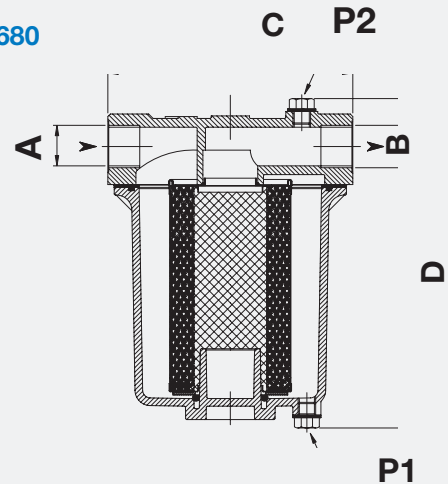
Type	A	B	C	D	E
70609	Rp 1/2"	17	22	39	70
70608	Rp 3/4"	17	22	39	70

70600/6B



Type	A	B	C	D	E
70611/1B	Rp 1/2"	92	37	20	20
70612/1B	Rp 3/4"	92	37	120	120
70602/1B	Rp 1"	103	50	160	160
70604/1B	Rp 1. 1/4"	103	50	160	160
70603/1B	Rp 1. 1/2"	103	50	160	160
70631/1B	Rp 2"	140	73	189	189

70680



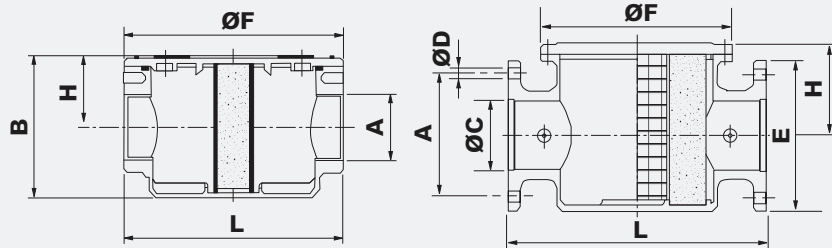
TECHNICAL NOTE

P1: inlet tapping point
P2: outlet tapping point

A pressure gauge or differential pressure switch can be connected between P1 and P2 (Rp 1/2") to control the pressure drop in the cartridge.

Type	A	B	C	D
70684	Rp 1"	Rp 1"	190	255
70685	Rp 1. 1/4"	Rp 1. 1/4"	190	255
70686	Rp 1. 1/2"	Rp 1. 1/2"	190	255
70687	Rp 2"	Rp 2"	190	255

70600/1B - 70600/6B

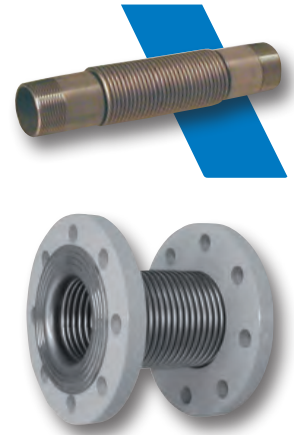


Type	A	B	C	D	E	F	H	L	H
70611/1B	Rp 1/2"	92	-	-	-	120	37	35	120
70612/1B	Rp 3/4"	92	-	-	-	120	37	35	120
70602/1B	Rp 1"	103	-	-	-	160	50	35	160
70604/1B	Rp 1. 1/4"	103	-	-	-	160	50	35	160
70603/1B	Rp 1. 1/2"	103	-	-	-	160	50	35	160
70631/1B	Rp 2"	140	-	-	-	186	73	37	186
70603F/6B	DN 40	-	110	18	119	150	130	60	200
70631F/6B	DN 50	-	125	18	119	165	148	70	230
70610F/6B	DN 65	-	145	18	119	185	212	91	290
70620F/6B	DN 80	-	160	18	121	200	240	106	320
70640F/6B	DN 100	-	180	18	121	220	280	126	380
70650F/6B	DN125	-	210	18	121	250	280	145	380
70660F/6B	DN150	1.1/2"	240	22	126	288	310	151	450

VIBRATION-DAMPING AND DIELECTRIC JOINTS

GA - GAF

Vibration-damping expansion joint for gas systems. Stainless steel body, carbon steel flanges. Threaded connections (DN 1/2"-2") and flanged connections (DN 65-100). PN 3. Operating temperature range: -20÷60°C.

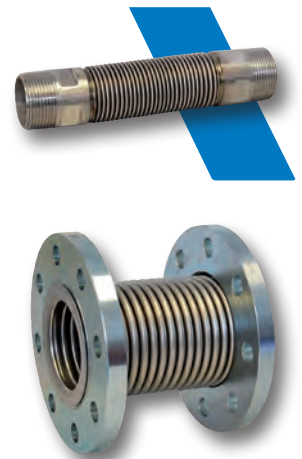


Type	Part Number	Connection	Q.ty/Box	Box/ Carton
GA1556	008.0070.000	1/2"	1	1
GA1544	008.0071.000	3/4"	1	1
GA1545	008.0072.000	1"	1	1
GA1546	008.0073.000	1.1/4"	1	1
GA1547	008.0074.000	1.1/2"	1	1
GA1548	008.0075.000	2"	1	1
GAF212	008.0080.000	DN 65	1	1
GAF300	008.0081.000	DN 80	1	1
GAF400	008.0082.000	DN 100	1	1
GAF500	008.0083.000	DN125	1	1
GAF600	008.0084.000	DN150	1	1

Dimensions on page 17 - 18

GDA

Vibration-damping expansion joint for gas systems. Stainless steel body, carbon steel flanges. Threaded connections (DN 1/2"-2") and flanged connections (DN 65-100). PN 0.5. Operating temperature -20÷250°C.



Type	Part Number	Connection	Q.ty/Box	Box/ Carton
GDA	0915015	1/2"	1	1
GDA	0915020	3/4"	1	1
GDA	0915025	1"	1	1
GDA	0915032	1.1/4"	1	1
GDA	0915040	1.1/2"	1	1
GDA	0915050	2"	1	1
GDA	0915065	DN 65	1	1
GDA	0915080	DN 80	1	1
GDA	0915100	DN 100	1	1

Dimensions on page 18

GDMF

Insulating dielectric joints for joining pipes of different metals, thus eliminating corrosion risks due to stray currents or electrolytic phenomena. For gas and water. Male-female connections. PN 10. Operating temperature range: -15÷70°C. Insulation voltage in air: 3 kV. Insulation resistance in air: 5 Mohm.

UNI 10824 and UNI 7129 compliant.



Type	Part Number	Connection	Q.ty/Box	Box/ Carton
GDMF	GDMF015	1/2"	1	80
GDMF	GDMF020	3/4"	1	50
GDMF	GDMF025	1"	1	40
GDMF	GDMF032	1.1/4"	1	25
GDMF	GDMF040	1.1/2"	1	20
GDMF	GDMF050	2"	1	20
GDMF	GDMF065	2.1/2"	1	10
GDMF	GDMF080	3"	1	8
GDMF	GDMF100	4"	1	1

Dimensions on page 18

GDFF

Insulating dielectric joints for joining pipes of different metals, thus eliminating corrosion risks due to stray currents or electrolytic phenomena. For gas and water.

Female-female connections. PN 10. Operating temperature range: -15÷70°C. Insulation voltage in air: 3 kV. Insulation resistance in air: 5 Mohm.

UNI 10824 and UNI 7129 compliant.

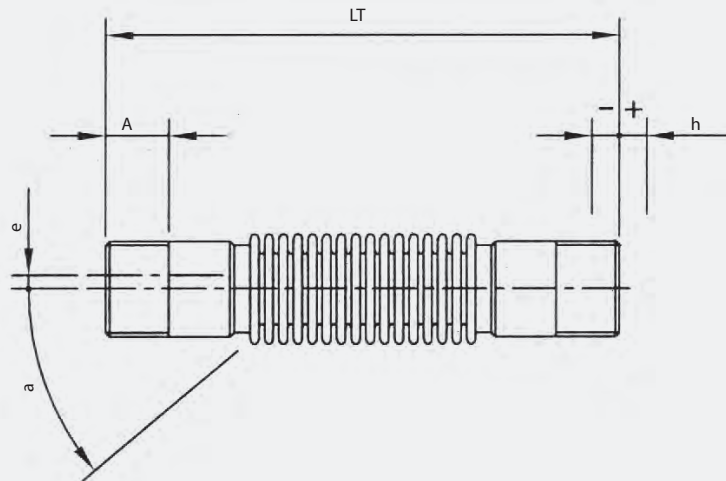


Type	Part Number	Connection	Q.ty/Box	Box/ Carton
GDFF	GDFF020	3/4"	1	40
GDFF	GDFF025	1"	1	25
GDFF	GDFF032	1.1/4"	1	20
GDFF	GDFF040	1.1/2"	1	20
GDFF	GDFF050	2"	1	20

Dimensions on page 18

OVERALL DIMENSIONS

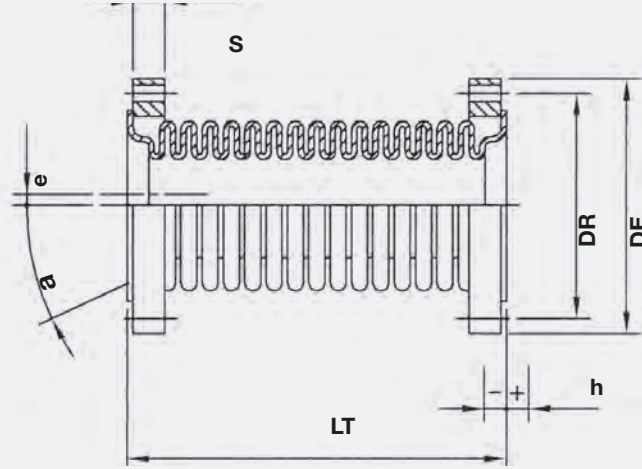
GA



Type GA	Connections UNI ISO 7-1	Max p. bar	Temp. °C	Axial compensation h+ h-h tot.	Angular a ±	Lateral e ±	Dimensions	
							A	LT ±5
GA1556	R. 1/2"	3	-20 +60	10 1020	35	5	18	170
GA1544	R. 3/4"	3	-20 +60	10 1020	30	5	18	180
GA1545	R. 1"	3	-20 +60	10 1020	25	6	22	200
GA1546	R. 1"1/4	3	-20 +60	12 1224	35	10	24	220
GA1547	R. 1"1/2	3	-20 +60	15 1530	35	10	24	240
GA1548	R. 2"	3	-20 +60	15 1530	30	10	28	240

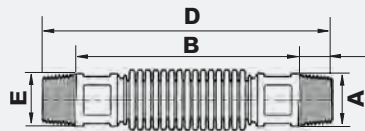
OVERALL DIMENSIONS

GAF



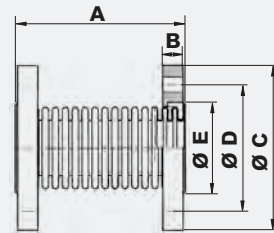
Type GAF	Connections ISO 7005-2	Max p. bar	Temp. °C	Axial compensation			Angular a ±	Lateral e ±	Dimensions			
				h+	h-	h tot.			DE	DR	LT±5	S
GAF212	DN 65 PN16	3	-20 +60	20	20	40	20	10	185	145	150	18
GAF300	DN 80 PN16	3	-20 +60	20	20	40	20	10	200	160	160	20
GAF400	DN 100 PN16	3	-20 +60	20	20	40	20	10	220	180	170	23
GAF500	DN 125 PN16	3	-20 +60	25	25	50	4	6	250	210	240	24
GAF600	DN 150 PN16	3	-20 +60	25	25	50	4	6	285	240	240	24

GDA



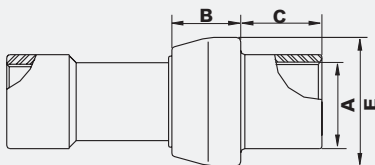
DN	A	B	C	D	E	Z*
16	1/2"	140	15	170	23	12
20	3/4"	145	17	180	27	16
25	1"	150	20	190	34	16
32	1.1/4"	155	22	200	43	20
40	1.1/2"	165	22	210	52	30
50	2"	190	25	240	64	30

GDA



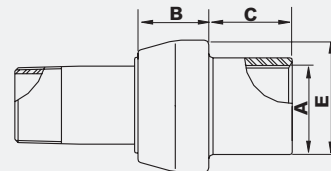
DN	A	B	C	D	E	F	No. of holes	Z*
65	155	20	185	145	92	18	4	40
80	165	20	200	160	113	18	8	45
100	175	22	220	180	135	18	8	55

GDFD



DN	A	E	C	B
3/4"	26.7	53	27	30
1"	33.4	60	29	32
1.1/4"	42.2	71	32	35
1.1/2"	48.3	77	32	37
2"	60.3	90	36	38

GDMF



DN	A	E	C	B
1/2"	21.3	46	25	28
3/4"	26.7	53	27	30
1"	33.4	60	29	32
1.1/4"	42.2	71	32	35
1.1/2"	48.3	77	32	37
2"	60.3	90	36	38
2.1/2"	76.1	113	40	53
3"	88.9	127	44	53
4"	114.3	156	55	65

PRESSURE REGULATORS**RP1B**

Aluminium pressure regulator with built-in filter, to EN 88-1. Max. operating pressure 1 bar, with max. outlet pressure shut-off valve. Max. outlet pressure 80 mbar. Suitable for manufactured gas, natural gas, liquefied petroleum gas (LPG), non-aggressive gas and air. Operating temperature range: -10÷60°C.



Type	Part Number	Connection	Description	Q.ty/ Box	Box/ Carton
RP1B20	009.1251.001	3/4"	With green spring 10-30 mbar - shut off 30-80 mbar	1	1
RP1B20	009.1251.002	3/4"	With neutral spring 20-80 mbar - shut off 50-160 mbar	1	1
RP1B25	009.1252.001	1"	With green spring 10-30 mbar - shut off 30-80 mbar	1	1
RP1B25	009.1252.002	1"	With neutral spring 20-80 mbar - shut off 50-160 mbar	1	1

SPRINGS

Type	Part Number	Gas Governor	Range and Colour	Q.ty/ Box	Box/ Carton
504.0012.020	014.0260.001	RP1B20 - RP1B25	Kit green spring 10 - 30 mbar. Shut off 30 - 80 mbar	1	1
504.0013.020	014.0261.001	RP1B20 - RP1B25	Kit neutral spring 10 - 30 mbar. Shut off 50 - 160 mbar	1	1

FGD

Aluminium pressure regulator with built-in filter, to EN 88-1. Max. inlet pressure 200 mbar. Max. outlet pressure 160 mbar. Suitable for manufactured gas, natural gas, liquefied petroleum gas (LPG), non-aggressive gas and air. Operating temperature range: -15÷60°C.



Type	Part Number	Conne- ction	Description	Q.ty/ Box	Box/ Carton
FGD15	009.0020.101	1/2"	With neutral spring 10 - 30 mbar	1	1
FGD15	009.0020.102	1/2"	With green spring 5 - 15 mbar	1	1
FGD15	009.0220.103	1/2"	With violet spring 25 - 80 mbar	1	1
FGD15	009.0020.104	1/2"	With brown spring 70 - 160 mbar	1	1
FGD20	009.0021.101	3/4"	With neutral spring 10 - 30 mbar	1	1
FGD20	009.0021.102	3/4"	With green spring 5 - 15 mbar	1	1
FGD20	009.0021.103	3/4"	With violet spring 25 - 80 mbar	1	1
FGD20	009.0021.104	3/4"	With brown spring 70 - 160 mbar	1	1
FGD25	009.0022.101	1"	With neutral spring 10 - 30 mbar	1	1
FGD25	009.0022.102	1"	With green spring 5 - 15 mbar	1	1
FGD25	009.0022.103	1"	With violet spring 25 - 80 mbar	1	1
FGD25	009.0022.104	1"	With brown spring 70 - 160 mbar	1	1
FGD32	009.0023.101	1.1/4"	With neutral spring 10 - 30 mbar	1	1
FGD32	009.0023.102	1.1/4"	With green spring 5 - 15 mbar	1	1
FGD32	009.0023.103	1.1/4"	With violet spring 20 - 70 mbar	1	1
FGD32	009.0023.104	1.1/4"	With brown spring 65 - 130 mbar	1	1
FGD32	009.0023.106	1.1/4"	With white spring 120 - 160 mbar	1	1
FGD40	009.0024.101	1.1/2"	With neutral spring 10 - 30 mbar	1	1
FGD40	009.0024.102	1.1/2"	With green spring 5 - 15 mbar	1	1
FGD40	009.0024.103	1.1/2"	With violet spring 20 - 70 mbar	1	1
FGD40	009.0024.104	1.1/2"	With brown spring 65 - 130 mbar	1	1
FGD40	009.0024.106	1.1/2"	With white spring 120 - 160 mbar	1	1
FGD50	009.0025.101	2"	With neutral spring 10 - 30 mbar	1	1
FGD50	009.0025.102	2"	With green spring 5 - 15 mbar	1	1
FGD50	009.0025.103	2"	With violet spring 30 - 80 mbar	1	1
FGD50	009.0025.104	2"	With brown spring 70 - 160 mbar	1	1

Dimensions on page 28

FGDR/COM

Compact aluminium pressure regulator with built-in filter, to EN 88-1. Max. inlet pressure 450÷500 mbar. Max. outlet pressure 160 mbar. Closure control. Suitable for manufactured gas, natural gas, liquefied petroleum gas (LPG), non-aggressive gas and air. Operating temperature range: -15÷60°C.



Type	Part Number	Conne- ction	Description	Q.ty/ Box	Box/ Carton
FGDR15/COM	009.0300.003	1/2"	With red spring 20 - 55 mbar	1	1
FGDR15/COM	009.0300.005	1/2"	With blue spring 50 - 200 mbar	1	1
FGDR20/COM	009.0301.003	3/4"	With red spring 20 - 55 mbar	1	1
FGDR20/COM	009.0301.005	3/4"	With blue spring 50 - 200 mbar	1	1

Dimensions on page 29

FGDR

Aluminium pressure regulator with built-in filter, to EN 88-1.

Max. inlet pressure 500 mbar. Max. outlet pressure 350 mbar.

Closure control. Suitable for manufactured gas, natural gas, liquefied petroleum gas (LPG), non-aggressive gas and air. Operating temperature range: -15÷+60°C.



Type	Part Number	Connec- tion	Description	Q.ty/ Box	Box/ Carton
FGDR15	009.0220.101	1/2"	With neutral spring 10 - 30 mbar	1	1
FGDR15	009.0220.102	1/2"	With green spring 5 - 15 mbar	1	1
FGDR15	009.0220.103	1/2"	With violet spring 25 - 80 mbar	1	1
FGDR15	009.0220.104	1/2"	With brown spring 70 - 160 mbar	1	1
FGDR15	009.0220.105	1/2"	With blue spring 150 - 280 mbar	1	1
FGDR15	009.0220.106	1/2"	With white spring 270 - 350 mbar	1	1
FGDR20	009.0221.101	3/4"	With neutral spring 10 - 30 mbar	1	1
FGDR20	009.0221.102	3/4"	With green spring 5 - 15 mbar	1	1
FGDR20	009.0221.103	3/4"	With violet spring 25 - 80 mbar	1	1
FGDR20	009.0221.104	3/4"	With brown spring 70 - 160 mbar	1	1
FGDR20	009.0221.105	3/4"	With blue spring 150 - 280 mbar	1	1
FGDR20	009.0221.106	3/4"	With white spring 270 - 350 mbar	1	1
FGDR25	009.0222.101	1"	With neutral spring 10 - 30 mbar	1	1
FGDR25	009.0222.102	1"	With green spring 5 - 15 mbar	1	1
FGDR25	009.0222.103	1"	With violet spring 25 - 80 mbar	1	1
FGDR25	009.0222.104	1"	With brown spring 70 - 160 mbar	1	1
FGDR25	009.0222.105	1"	With blue spring 150 - 280 mbar	1	1
FGDR25	009.0222.106	1"	With white spring 270 - 350 mbar	1	1
FGDR32	009.0223.101	1.1/4"	With neutral spring 10 - 25 mbar	1	1
FGDR32	009.0223.102	1.1/4"	With green spring 5 - 15 mbar	1	1
FGDR32	009.0223.103	1.1/4"	With violet spring 20 - 70 mbar	1	1
FGDR32	009.0223.104	1.1/4"	With brown spring 65 - 130 mbar	1	1
FGDR32	009.0223.106	1.1/4"	With white spring 120 - 250 mbar	1	1
FGDR32	009.0223.107	1.1/4"	With black spring 240 - 350 mbar	1	1
FGDR40	009.0224.101	1.1/2"	With neutral spring 10 - 25 mbar	1	1
FGDR40	009.0224.102	1.1/2"	With green spring 5 - 15 mbar	1	1
FGDR40	009.0224.103	1.1/2"	With violet spring 20 - 70 mbar	1	1
FGDR40	009.0224.104	1.1/2"	With brown spring 65 - 130 mbar	1	1
FGDR40	009.0224.106	1.1/2"	With white spring 120 - 250 mbar	1	1
FGDR40	009.0224.107	1.1/2"	With black spring 240 - 350 mbar	1	1
FGDR50/40	009.0234.101	2"	With neutral spring 10 - 25 mbar	1	1
FGDR50/40	009.0234.102	2"	With green spring 5 - 15 mbar	1	1
FGDR50/40	009.0234.103	2"	With violet spring 20 - 70 mbar	1	1
FGDR50/40	009.0234.104	2"	With brown spring 65 - 130 mbar	1	1
FGDR50/40	009.0234.106	2"	With white spring 120 - 250 mbar	1	1
FGDR50/40	009.0234.107	2"	With black spring 240 - 350 mbar	1	1
FGDR50	009.0225.101	2"	With neutral spring 10 - 35 mbar	1	1
FGDR50	009.0225.102	2"	With green spring 5 - 15 mbar	1	1
FGDR50	009.0225.103	2"	With violet speing 30 - 80 mbar	1	1
FGDR50	009.0225.104	2"	With brown spring 70 - 220 mbar	1	1
FGDR50	009.0225.105	2"	With blue spring 210 - 350 mbar	1	1

Dimensions on page 29

FG1B

Aluminium pressure regulator with built-in filter, to EN 88-1. Max. inlet pressure 1 bar. Max. outlet pressure 450 mbar.

Closure control. Suitable for manufactured gas, natural gas, liquefied petroleum gas (LPG), non-aggressive gas and air. Operating temperature range: -15-60°C.



Type	Part Number	Connec- tion	Description	Q.ty/ Box	Box/ Carton
FG1B15	009.0250.101	1/2"	With neutral spring 10 - 30 mbar	1	1
FG1B15	009.0250.103	1/2"	With violet spring 25 - 80 mbar	1	1
FG1B15	009.0250.104	1/2"	With brown spring 70 - 160 mbar	1	1
FG1B15	009.0250.105	1/2"	With blue spring 150 - 280 mbar	1	1
FG1B15	009.0250.106	1/2"	With white spring 270 - 450 mbar	1	1
FG1B20	009.0251.101	3/4"	With neutral spring 10 - 30 mbar	1	1
FG1B20	009.0251.103	3/4"	With violet spring 25 - 80 mbar	1	1
FG1B20	009.0251.104	3/4"	With brown spring 70 - 160 mbar	1	1
FG1B20	009.0251.105	3/4"	With blue spring 150 - 280 mbar	1	1
FG1B20	009.0251.106	3/4"	With white spring 270 - 450 mbar	1	1
FG1B25	009.0252.101	1"	With neutral spring 10 - 30 mbar	1	1
FG1B25	009.0252.103	1"	With violet spring 25 - 80 mbar	1	1
FG1B25	009.0252.104	1"	With brown spring 70 - 160 mbar	1	1
FG1B25	009.0252.105	1"	With blue spring 150 - 280 mbar	1	1
FG1B25	009.0252.106	1"	With white spring 270 - 450 mbar	1	1
FG1B32	009.0253.101	1.1/4"	With neutral spring 10-25 mbar	1	1
FG1B32	009.0253.103	1.1/4"	With violet spring 20-70 mbar	1	1
FG1B32	009.0253.104	1.1/4"	With brown spring 65-130 mbar	1	1
FG1B32	009.0253.106	1.1/4"	With white spring 120-250 mbar	1	1
FG1B32	009.0253.107	1.1/4"	With black spring 240-360 mbar	1	1
FG1B32	009.0253.108	1.1/4"	With orange spring 350-450 mbar	1	1
FG1B40	009.0254.101	1.1/2"	With neutral spring 10-25 mbar	1	1
FG1B40	009.0254.103	1.1/2"	With violet spring 20-70 mbar	1	1
FG1B40	009.0254.104	1.1/2"	With brown spring 65-130 mbar	1	1
FG1B40	009.0254.106	1.1/2"	With white spring 120-250 mbar	1	1
FG1B40	009.0254.107	1.1/2"	With black spring 240-360 mbar	1	1
FG1B40	009.0254.108	1.1/2"	With orange spring 350-450 mbar	1	1
FG1B50/40	009.0264.101	2"	With neutral spring 10-25 mbar	1	1
FG1B50/40	009.0264.103	2"	With violet spring 20-70 mbar	1	1
FG1B50/40	009.0264.104	2"	With brown spring 65-130 mbar	1	1
FG1B50/40	009.0264.106	2"	With white spring 120-250 mbar	1	1
FG1B50/40	009.0264.107	2"	With black spring 240-360 mbar	1	1
FG1B50/40	009.0264.108	2"	With orange spring 350-450 mbar	1	1
FG1B50	009.0255.101	2"	With neutral spring 10-35 mbar	1	1
FG1B50	009.0255.103	2"	With violet spring 30-80 mbar	1	1
FG1B50	009.0255.104	2"	With brown spring 70-220 mbar	1	1
FG1B50	009.0255.105	2"	With blue spring 210-450 mbar	1	1

Dimensions on page 28

FSDR

Flanged aluminium pressure regulator with built-in filter, to EN 88-1. Max. inlet pressure 500 mbar. Max. outlet pressure 350 mbar. Closure control. Suitable for manufactured gas, natural gas, liquefied petroleum gas (LPG), non-aggressive gas and air. Operating temperature range: -10÷60°C.



Type	Part Number	Connec- tion	Description	Q.ty/ Box	Box/ Carton
FSDR65	009.0226.201	DN 65	With neutral spring 10-30 mbar	1	1
FSDR65	009.0226.203	DN 65	With red spring 25-80 mbar	1	1
FSDR65	009.0226.204	DN 65	With violet spring 60-120 mbar	1	1
FSDR65	009.0226.206	DN 65	With blue spring 100-220 mbar	1	1
FSDR65	009.0226.207	DN 65	With white spring 200- 350 mbar	1	1
FSDR80	009.0227.201	DN 80	With neutral spring 10-30 mbar	1	1
FSDR80	009.0227.203	DN 80	With red spring 25-80 mbar	1	1
FSDR80	009.0227.204	DN 80	With violet spring 60-120 mbar	1	1
FSDR80	009.0227.206	DN 80	With blue spring 100-220 mbar	1	1
FSDR80	009.0227.207	DN 80	With white spring 200- 350 mbar	1	1

Dimensions on page 29

FS1B

Flanged aluminium pressure regulator with built-in filter, to EN 88-1. Max. inlet pressure 1 bar. Max. outlet pressure 450 mbar. Closure control. Suitable for manufactured gas, natural gas, liquefied petroleum gas (LPG), non-aggressive gas and air. Operating temperature range: -10÷60°C.



Type	Part Number	Connec- tion	Description	Q.ty/ Box	Box/ Carton
FS1B65	009.0256.201	DN 65	With neutral spring 10-30 mbar	1	1
FS1B65	009.0256.203	DN 65	With red spring 25-80 mbar	1	1
FS1B65	009.0256.204	DN 65	With violet spring 60-120 mbar	1	1
FS1B65	009.0256.206	DN 65	With blue spring 100-220 mbar	1	1
FS1B65	009.0256.207	DN 65	With white spring 200- 450 mbar	1	1
FS1B80	009.0257.201	DN 80	With neutral spring 10-30 mbar	1	1
FS1B80	009.0257.203	DN 80	With red spring 25-80 mbar	1	1
FS1B80	009.0257.204	DN 80	With violet spring 60-120 mbar	1	1
FS1B80	009.0257.206	DN 80	With blue spring 100-220 mbar	1	1
FS1B80	009.0257.207	DN 80	With white spring 200- 450 mbar	1	1

Dimensions on page 28

STR

Flanged aluminium pressure regulator to EN 88-1. Max. inlet pressure 500 mbar. Max. outlet pressure 350 mbar, 200 mbar for STR DN 125-150. Closure control. Suitable for manufactured gas, natural gas, liquefied petroleum gas (LPG), non-aggressive gas and air. Operating temperature range: -15÷60°C.



Type	Part Number	Connec- tion	Description	Q.ty/ Box	Box/ Carton
STR65	009.0240.201	DN 65	With neutral spring 10-30 mbar	1	1
STR65	009.0240.203	DN 65	With red spring 25-80 mbar	1	1
STR65	009.0240.204	DN 65	With violet spring 60-120 mbar	1	1
STR65	009.0240.206	DN 65	With blue spring 100-220 mbar	1	1
STR65	009.0240.207	DN 65	With white spring 200-350 mbar	1	1
STR80	009.0241.201	DN 80	With neutral spring 10-30 mbar	1	1
STR80	009.0241.203	DN 80	With red spring 25-80 mbar	1	1
STR80	009.0241.204	DN 80	With violet spring 60-120 mbar	1	1
STR80	009.0241.206	DN 80	With blue spring 100-220 mbar	1	1
STR80	009.0241.207	DN 80	With white spring 200-350 mbar	1	1
STR100	009.0242.201	DN 100	With neutral spring 10-40 mbar	1	1
STR100	009.0242.203	DN 100	With red spring 30-70 mbar	1	1
STR100	009.0242.204	DN 100	With violet spring 60-110 mbar	1	1
STR100	009.0242.205	DN 100	With brown spring 100-210 mbar	1	1
STR100	009.0242.207	DN 100	With white spring 200-350 mbar	1	1
STR125	009.0243.001	DN 125	With neutral spring 10-30 mbar	1	1
STR125	009.0243.003	DN 125	With red spring 25-75 mbar	1	1
STR125	009.0243.005	DN 125	With brown spring 70-120 mbar	1	1
STR125	009.0243.007	DN 125	With white spring 110-170 mbar	1	1
STR125	009.0243.006	DN 125	With black spring 140-200 mbar	1	1
STR150	009.0244.001	DN 150	With neutral spring 10-30 mbar	1	1
STR150	009.0244.003	DN 150	With red spring 25-75 mbar	1	1
STR150	009.0244.005	DN 150	With brown spring 70-120 mbar	1	1
STR150	009.0244.007	DN 150	With white spring 110-170 mbar	1	1
STR150	009.0244.006	DN 150	With black spring 140-200 mbar	1	1

Dimensions on page 29

ST1B

Flanged aluminium pressure regulator to EN 88-1. Max. inlet pressure 1 bar. Max. outlet pressure 450 mbar, 200 mbar for STR DN 125-150. Closure control. Suitable for manufactured gas, natural gas, liquefied petroleum gas (LPG), non-aggressive gas and air. Operating temperature range: -15÷60°C.



Type	Part Number	Connec-tion	Description	Q.ty/Box	Box/ Carton
ST1B65	009.0270.201	DN 65	With neutral spring 10-30 mbar	1	1
ST1B65	009.0270.203	DN 65	With red spring 25-80 mbar	1	1
ST1B65	009.0270.204	DN 65	With violet spring 60-120 mbar	1	1
ST1B65	009.0270.206	DN 65	With blue spring 100-220 mbar	1	1
ST1B65	009.0270.207	DN 65	With white spring 200- 450 mbar	1	1
ST1B80	009.0271.201	DN 80	With neutral spring 10-30 mbar	1	1
ST1B80	009.0271.203	DN 80	With red spring 25-80 mbar	1	1
ST1B80	009.0271.204	DN 80	With violet spring 60-120 mbar	1	1
ST1B80	009.0271.206	DN 80	With blue spring 100-220 mbar	1	1
ST1B80	009.0271.207	DN 80	With white spring 200- 450 mbar	1	1
ST1B100	009.0272.201	DN 100	With neutral spring 10-40 mbar	1	1
ST1B100	009.0272.203	DN 100	With red spring 30-70 mbar	1	1
ST1B100	009.0272.204	DN 100	With violet spring 60-110 mbar	1	1
ST1B100	009.0272.205	DN 100	With brown spring 100-210 mbar	1	1
ST1B100	009.0272.207	DN 100	With white spring 200- 450 mbar	1	1
ST1B125	009.0273.001	DN 125	With neutral spring 10-30 mbar	1	1
ST1B125	009.0273.003	DN 125	With red spring 25-75 mbar	1	1
ST1B125	009.0273.005	DN 125	With brown spring 70-120 mbar	1	1
ST1B125	009.0273.007	DN 125	With white spring 110-170 mbar	1	1
ST1B125	009.0273.006	DN 125	With black spring 140-200 mbar	1	1
ST1B150	009.0274.001	DN 150	With neutral spring 10-30 mbar	1	1
ST1B150	009.0274.003	DN 150	With red spring 25-75 mbar	1	1
ST1B150	009.0274.005	DN 150	With brown spring 70-120 mbar	1	1
ST1B150	009.0274.007	DN 150	With white spring 110-170 mbar	1	1
ST1B150	009.0274.006	DN 150	With black spring 140-200 mbar	1	1

Dimensions on page 28






PARTS KIT






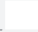

Type	Part Number	Governors	Description	Q.ty/Box	Box/ Carton
3235	014.0500.001	FGD, FGDR, FG1B 15 - 20 - 25	Filter element + filter's cover gasket	1	1
3236	014.0501.001	FGD, FGDR, FG1B 32 - 40 - 50/40	Filter element + filter's cover gasket	1	1
3233	014.0153.001	FGD, FGDR, FG1B 50	Filter element + filter's cover gasket	1	1
3234	014.0155.001	FSDR, FS1B 65 - 80	Filter element + filter's cover gasket	1	1
3286	014.0502.001	FGD, FGDR, FG1B 15 - 20 - 25	Revision components kit	1	1
3287	014.0503.001	FGD, FGDR, FG1B 32 - 40 - 50/40	Revision components kit	1	1
3262	014.0190.002	FGD, FGDR, FG1B 50	Revision components kit	1	1
3295	014.0295.000	FSDR, FS1B 65 - 80	Revision components kit	1	1
3296	014.0296.000	STR, ST1B 65 - 80	Revision components kit	1	1
3297	014.0297.000	STR, ST1B 100	Revision components kit	1	1
3504	014.0572.000	STR, ST1B 125 - 150	Revision components kit	1	1

SPRINGS

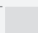






Type	Part Number	Governors	Range and Colour	Q.ty/ Box	Box/ Carton
E720	014.0202.001	FGDR/COM 15 - 20	20-55 mbar - red	1	1
E737	014.0204.001	FGDR/COM 15 - 20	50-200 mbar - blue	1	1
504.0037.020	014.0504.001	FGD, FGDR 15 - 20 - 25	5-15 mbar - green	1	1
504.0031.020	014.0505.001	FGD, FGDR, FG1B 15 - 20 - 25	10-30 mbar - neutral	1	1
504.0032.020	014.0506.001	FGD, FGDR, FG1B 15 - 20 - 25	25-80 mbar - violet	1	1
504.0033.020	014.0507.001	FGD, FGDR, FG1B 15 - 20 - 25	70-160 mbar - brown	1	1
504.0034.020	014.0508.001	FGDR, FG1B 15 - 20 - 25	150-280 mbar - blue	1	1
504.0035.020	014.0509.001	FGDR 15 - 20 - 25	270-350 mbar - white	1	1
504.0035.020	014.0509.001	FG1B 15 - 20 - 25	270-450 mbar - white	1	1
E816D	014.0220.001	FGD, FGDR 32 - 40 - 50/40	5-15 mbar - green	1	1
504.0016.020	014.0221.001	FGD, FGDR, FG1B 32 - 40 - 50/40	10-25 mbar - neutral	1	1
504.0017.020	014.0222.001	FGD, FGDR, FG1B 32 - 40 - 50/40	20-70 mbar - violet	1	1
E836D	014.0223.001	FGD, FGDR, FG1B 32 - 40 - 50/40	65-130 mbar - brown	1	1
504.0018.020	014.0225.001	FGD 32 - 40	120-160 mbar - white	1	1
504.0018.020	014.0225.001	FGDR, FG1B 32 - 40 - 50/40	120-250 mbar - white	1	1
504.0036.020	014.0520.001	FGDR 32 - 40 - 50/40	240-350 mbar - black	1	1
504.0036.020	014.0520.001	FG1B 32 - 40 - 50/40	240-360 mbar - black	1	1
504.0041.020	014.0523.001	FG1B 32 - 40 - 50/40	350-450 mbar - orange	1	1
504.0040.020	014.0230.001	FGD, FGDR 50	5-15 mbar - green	1	1
E620	014.0231.001	FGD, FGDR, FG1B 50	10-35 mbar - neutral	1	1
E619D	014.0232.001	FGD, FGDR, FG1B 50	30-80 mbar - violet	1	1
E631D	014.0233.001	FGD50	70-160 mbar - brown	1	1
E631D	014.0233.001	FGDR, FG1B 50	70-220 mbar - brown	1	1
E630	014.0234.001	FGDR50	210-350 mbar - blue	1	1
E630	014.0234.001	FG1B50	210-450 mbar - blue	1	1
E405	014.0241.001	FSDR, FS1B, STR, ST1B 65 - 80	10-30 mbar - neutral	1	1
E406	014.0242.001	FSDR, FS1B, STR, ST1B 65 - 80	25-80 mbar - red	1	1
E417D	014.0243.001	FSDR, FS1B, STR, ST1B 65 - 80	60-120 mbar - violet	1	1
E473	014.0245.001	FSDR, FS1B, STR, ST1B 65 - 80	100-220 mbar - blue	1	1
504.0021.020	014.0247.001	FSDR, STR 65 - 80	200-350 mbar - white	1	1
504.0021.020	014.0247.001	FS1B, ST1B 65 - 80	200-450 mbar - white	1	1
E466D	014.0251.001	STR, ST1B 100	10-40 mbar - neutral	1	1
E535	014.0252.001	STR, ST1B 100	30-70 mbar - red	1	1
E468	014.0253.001	STR, ST1B 100	60-110 mbar - violet	1	1
E475	014.0254.001	STR, ST1B 100	100-210 mbar - brown	1	1
504.0065.000	014.0256.001	STR 100	200-350 mbar - white	1	1
504.0065.000	014.0256.001	ST1B 100	200-450 mbar - white	1	1
504.0050.000	014.0560.000	STR, ST1B 125/150	10-30 mbar - neutral	1	1
504.0053.000	014.0561.000	STR, ST1B 125/150	25-75 mbar - red	1	1
504.0051.000	014.0562.000	STR, ST1B 125/150	70-120 mbar - violet	1	1
504.0062.000	014.0563.000	STR, ST1B 125/150	110-170 mbar - brown	1	1
504.0064.000	014.0564.000	STR, ST1B 125/150	140-200 mbar - white	1	1

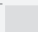





SPRING SELECTION GUIDE

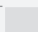
Model/Colour	FGD 15 - 20 - 25	FGD 32 - 40	FGD 50
GREEN 	5-15 mbar (014.0504.001)	5-15 mbar (014.0220.001)	5-15 mbar (014.0230.001)
NEUTRAL 	10-30 mbar (014.0505.001)	10-25 mbar (014.0221.001)	10-35 mbar (014.0231.001)
PURPLE 	25-80 mbar (014.0506.001)	20-70 mbar (014.0222.001)	30-80 mbar (014.0232.001)
BROWN 	70-160 mbar (014.0507.001)	65-130 mbar (014.0223.001)	70-160 mbar (014.0233.001)
WHITE 	/	120-160 mbar (014.0225.001)	/

Model/Colour	FGDR 15 - 20 - 25	FGDR 32 - 40 -50/40	FGDR 50
GREEN 	5-15 mbar (014.0504.001)	5-15 mbar (014.0220.001)	5-15 mbar (014.0230.001)
NEUTRAL 	10-30 mbar (014.0505.001)	10-25 mbar (014.0221.001)	10-35 mbar (014.0231.001)
PURPLE 	25-80 mbar (014.0506.001)	20-70 mbar (014.0222.001)	30-80 mbar (014.0232.001)
BROWN 	70-160 mbar (014.0507.001)	65-130 mbar (014.0223.001)	70-160 mbar (014.0233.001)
BLUE 	150-280 mbar (014.0508.001)	/	210-350 mbar (014.0234.001)
WHITE 	270-350 mbar (014.0509.001)	120-250 mbar (014.0225.001)	/
BLACK 	/	240-350 mbar (014.0520.001)	/

Model/Colour	FGDR/COM 15-20
RED 	20-55 mbar (014.0202.001)
BLUE 	50-200 mbar (014.0204.001)

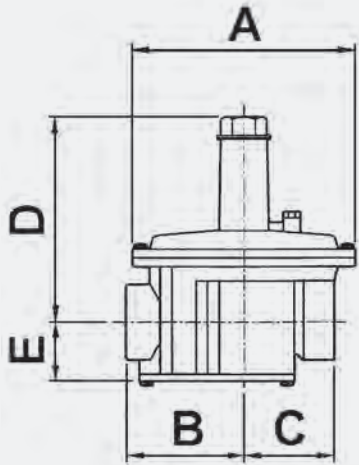
Model/Colour	FG1B 15 - 20 - 25	FG1B 32 - 40 -50/40	FG1B 50
NEUTRAL 	10-30 mbar (014.0505.001)	10-25 mbar (014.0221.001)	10-35 mbar (014.0231.001)
PURPLE 	25-80 mbar (014.0506.001)	20-70 mbar (014.0222.001)	30-80 mbar (014.0232.001)
BROWN 	70-160 mbar (014.0507.001)	65-130 mbar (014.0223.001)	70-220 mbar (014.0233.001)
BLUE 	150-280 mbar (014.0508.001)	/	210-450 mbar (014.0234.001)
WHITE 	270-450 mbar (014.0509.001)	120-250 mbar (014.0225.001)	/
BLACK 	/	240-360 mbar (014.0520.001)	/
ORANGE 	/	350-450 mbar (014.0523.001)	/

Model/Colour	FSDR - STR 65 - 80	STR 100	FS1B - ST1B 65 - 80	ST1B 100
NEUTRAL 	10-30 mbar (014.0241.001)	10-40 mbar (014.0251.001)	10-30 mbar (014.0241.001)	10-40 mbar (014.0251.001)
RED 	25-80 mbar (014.0242.001)	30-70 mbar (014.0252.001)	25-80 mbar (014.0242.001)	30-70 mbar (014.0252.001)
PURPLE 	60-120 mbar (014.0243.001)	60-110 mbar (014.0253.001)	60-120 mbar (014.0243.001)	60-110 mbar (014.0253.001)
BROWN 	/	100-210 mbar (014.0254.001)	/	100-210 mbar (014.0254.001)
BLUE 	100-220 mbar (014.0245.001)	/	100-220 mbar (014.0245.001)	/
WHITE 	200-350 mbar (014.0247.001)	200-350 mbar (014.0256.001)	200-450 mbar (014.0247.001)	200-450 mbar (014.0256.001)

Model/Colour	STR 125 - 150	ST1B 125 -150
NEUTRAL 	10-30 mbar (014.0560.000)	10-30 mbar (014.0560.000)
RED 	25-75 mbar (014.0561.000)	25-75 mbar (014.0561.000)
BROWN 	70-120 mbar (014.0562.000)	65-130 mbar (014.0562.000)
WHITE 	110-170 mbar (014.0563.000)	110-170 mbar (014.0563.000)
BLACK 	140-200 mbar (014.0564.000)	140-200 mbar (014.0564.000)

OVERALL DIMENSIONS

FG



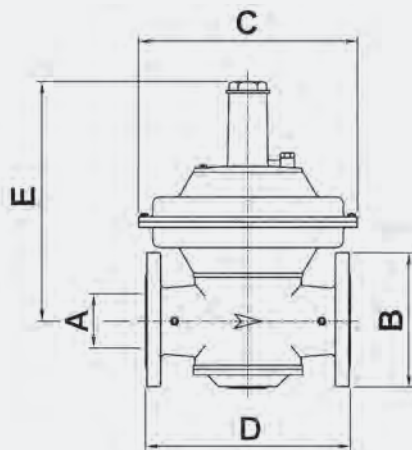
TECHNICAL NOTE

Measurement E must be increased by approximately 400 mm to facilitate filter cleaning and inspection.

FG.50/40: model with 2" threaded connections but with the overall dimensions of the 1 1/2" model (FG..40).

Model	Connections	A	B	C	D	E
FG..15	Rp 1/2" UNI-ISO 7/1					
FG..20	Rp 3/4" UNI-ISO 7/1	146	73	58	137	42
FG..25	Rp 1" UNI-ISO 7/1					
FG..32	Rp 1 1/4" UNI-ISO 7/1					
FG..40	Rp 1 1/2" UNI-ISO 7/1	194	98	80	175	52
FG..50/40	Rp 2" UNI-ISO 7/1					
FG..50	Rp 2" UNI-ISO 7/1	260	135	90	250	65

FS1B - ST1B



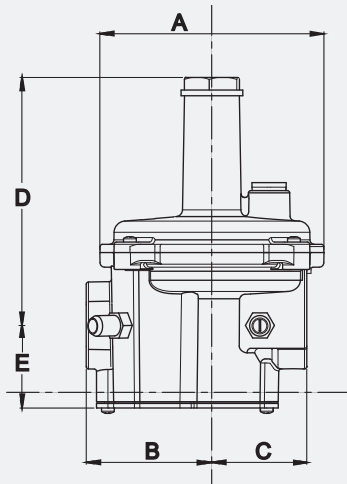
TECHNICAL NOTE

For the FS1B series (with built-in filter unit) the measurement "E" must be increased by approximately 400 mm to facilitate cleaning and inspection of the filter.

Model	Connections	A	B	C	D	E
FS1B65	DN 65 PN16 EN 1092-4	85	185	320	300	340
FS1B80	DN 80 PN16 EN 1092-4	85	200	320	300	340
ST1B65	DN 65 PN16 EN 1092-4	85	185	320	300	340
ST1B80	DN 80 PN16 EN 1092-4	85	200	320	300	340
ST1B100	DN100 PN16 EN 1092-4	100	220	370	360	410

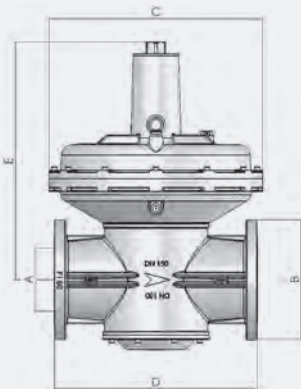
OVERALL DIMENSIONS

FGDR/COM



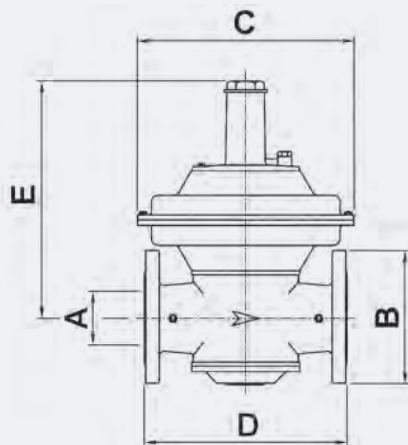
Model	Connections	A	B	C	D	E
FGDR/COM15	Rp 1/2" UNI ISO 7/1	98	55	41.5	108.5	35.5
FGDR/COM20	Rp 3/4" UNI ISO 7/1	98	55	41.5	108.5	35.5

STR - ST1B



Model	Connections	A	B	C	D	E
ST1B125-STR125	DN 125 PN16 EN 1092-4	125	250	505	480	565
ST1B150-STR150	DN 150 PN16 EN 1092-4	150	288	505	480	565

FSDR - STR



TECHNICAL NOTE

For the FSDR series (with built-in filter unit) measurement "E" must be increased by approximately 400 mm to facilitate filter cleaning and inspection.

Model	Connections	A	B	C	D	E
FSDR65	DN 65 Pn16 EN 1092-4	85	185	320	300	340
FSDR80	DN 80 Pn16 EN 1092-4	85	200	320	300	340
STR65	DN 65 Pn16 EN 1092-4	85	185	320	300	340
STR80	DN 80 Pn16 EN 1092-4	85	200	320	300	340
STR100	DN100 Pn16 En 1092-4	100	220	370	360	410

PRESSURE REGULATORS, 4 BAR

ST4B

Aluminium pressure regulator to EN 88-1. Max. inlet pressure 4 bar. Max. outlet pressure 450 mbar. Closure control. Suitable for manufactured gas, natural gas, liquefied petroleum gas (LPG), non-aggressive gas and air.

Operating temperature range: -15÷60°C.



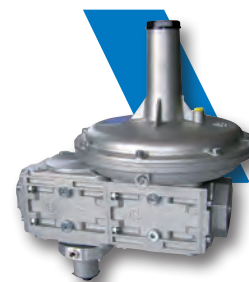
Type	Part Number	Connec- tion	Description	Q.ty/Box	Box/ Carton
ST4B20	009.0351.001	3/4"	With neutral spring 10-25 mbar	1	1
ST4B20	009.0351.002	3/4"	With violet spring 20-70 mbar	1	1
ST4B20	009.0351.003	3/4"	With brown spring 65-120 mbar	1	1
ST4B20	009.0351.004	3/4"	With white spring 110- 230 mbar	1	1
ST4B20	009.0351.005	3/4"	With black spring 220- 340 mbar	1	1
ST4B20	009.0351.006	3/4"	With orange spring 330- 450mbar	1	1
ST4B25	009.0352.001	1"	With neutral spring 10-25 mbar	1	1
ST4B25	009.0352.002	1"	With violet spring 20-70 mbar	1	1
ST4B25	009.0352.003	1"	With brown spring 65-120 mbar	1	1
ST4B25	009.0352.004	1"	With white spring 110- 230 mbar	1	1
ST4B25	009.0352.005	1"	With black spring 220- 340 mbar	1	1
ST4B25	009.0352.006	1"	With orange spring 330- 450mbar	1	1
ST4B32	009.0353.001	1.1/4"	With neutral spring 10-25 mbar	1	1
ST4B32	009.0353.002	1.1/4"	With violet spring 20-70 mbar	1	1
ST4B32	009.0353.003	1.1/4"	With brown spring 65-120 mbar	1	1
ST4B32	009.0353.004	1.1/4"	With white spring 110- 230 mbar	1	1
ST4B32	009.0353.005	1.1/4"	With black spring 220- 340 mbar	1	1
ST4B32	009.0353.006	1.1/4"	With orange spring 330- 450mbar	1	1
ST4B40	009.0354.001	1.1/2"	With neutral spring 10-25 mbar	1	1
ST4B40	009.0354.002	1.1/2"	With violet spring 20-70 mbar	1	1
ST4B40	009.0354.003	1.1/2"	With brown spring 65-120 mbar	1	1
ST4B40	009.0354.004	1.1/2"	With white spring 110- 230 mbar	1	1
ST4B40	009.0354.005	1.1/2"	With black spring 220- 340 mbar	1	1
ST4B40	009.0354.006	1.1/2"	With orange spring 330- 450mbar	1	1
ST4B50	009.0355.001	2"	With neutral spring 10-25 mbar	1	1
ST4B50	009.0355.002	2"	With violet spring 20-70 mbar	1	1
ST4B50	009.0355.003	2"	With brown spring 65-120 mbar	1	1
ST4B50	009.0355.004	2"	With white spring 110- 230 mbar	1	1
ST4B50	009.0355.005	2"	With black spring 220- 340 mbar	1	1
ST4B50	009.0355.006	2"	With orange spring 330- 450mbar	1	1

Dimensions on page 33

ST4B..BM

Aluminium pressure regulator with maximum pressure shut-off valve, to EN 88-1. Max. inlet pressure 4 bar. Max. outlet pressure 450 mbar.

Closure control. Suitable for manufactured gas, natural gas, liquefied petroleum gas (LPG), non-aggressive gas and air. Operating temperature range: -15÷60°C.



Type	Part Number	Connec-tion	Description	Q.ty/Box	Box/ Carton
ST4B20BM	009.0361.001	3/4"	With neutral spring 10-25 mbar	1	1
ST4B20BM	009.0361.002	3/4"	With violet spring 20-70 mbar	1	1
ST4B20BM	009.0361.003	3/4"	With brown spring 65-120 mbar	1	1
ST4B20BM	009.0361.004	3/4"	With white spring 110- 230 mbar	1	1
ST4B20BM	009.0361.005	3/4"	With black spring 220- 340 mbar	1	1
ST4B20BM	009.0361.006	3/4"	With orange spring 330- 450mbar	1	1
ST4B25BM	009.0362.001	1"	With neutral spring 10-25 mbar	1	1
ST4B25BM	009.0362.002	1"	With violet spring 20-70 mbar	1	1
ST4B25BM	009.0362.003	1"	With brown spring 65-120 mbar	1	1
ST4B25BM	009.0362.004	1"	With white spring 110- 230 mbar	1	1
ST4B25BM	009.0362.005	1"	With black spring 220- 340 mbar	1	1
ST4B25BM	009.0362.006	1"	With orange spring 330- 450mbar	1	1
ST4B32BM	009.0363.001	1.1/4"	With neutral spring 10-25 mbar	1	1
ST4B32BM	009.0363.002	1.1/4"	With violet spring 20-70 mbar	1	1
ST4B32BM	009.0363.003	1.1/4"	With brown spring 65-120 mbar	1	1
ST4B32BM	009.0363.004	1.1/4"	With white spring 110- 230 mbar	1	1
ST4B32BM	009.0363.005	1.1/4"	With black spring 220- 340 mbar	1	1
ST4B32BM	009.0363.006	1.1/4"	With orange spring 330- 450mbar	1	1
ST4B40BM	009.0364.001	1.1/2"	With neutral spring 10-25 mbar	1	1
ST4B40BM	009.0364.002	1.1/2"	With violet spring 20-70 mbar	1	1
ST4B40BM	009.0364.003	1.1/2"	With brown spring 65-120 mbar	1	1
ST4B40BM	009.0364.004	1.1/2"	With white spring 110- 230 mbar	1	1
ST4B40BM	009.0364.005	1.1/2"	With black spring 220- 340 mbar	1	1
ST4B40BM	009.0364.006	1.1/2"	With orange spring 330- 450mbar	1	1
ST4B50BM	009.0365.001	2"	With neutral spring 10-25 mbar	1	1
ST4B50BM	009.0365.002	2"	With violet spring 20-70 mbar	1	1
ST4B50BM	009.0365.003	2"	With brown spring 65-120 mbar	1	1
ST4B50BM	009.0365.004	2"	With white spring 110- 230 mbar	1	1
ST4B50BM	009.0365.005	2"	With black spring 220- 340 mbar	1	1
ST4B50BM	009.0365.006	2"	With orange spring 330- 450mbar	1	1

Dimensions on page 33

BM

Aluminium maximum pressure shut-off valve to EN 88-2. Max. inlet pressure 4 bar. Suitable for manufactured gas, natural gas, liquefied petroleum gas (LPG), non-aggressive gas and air. Operating temperature range: -15÷60°C.



Type	Part Number	Connec-tion	Description	Q.ty/Box	Box/ Carton
BM20	019.0041.001	3/4"	With neutral spring 50-200 mbar	1	1
BM25	019.0042.001	1"	With neutral spring 50-200 mbar	1	1
BM32	019.0043.001	1.1/4"	With neutral spring 50-200 mbar	1	1
BM40	019.0044.001	1.1/2"	With neutral spring 50-200 mbar	1	1
BM50	019.0045.001	2"	With neutral spring 50-200 mbar	1	1

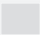




Dimensions on page 33

SPRINGS

Type	Part Number	Connection	Description	Q.ty/ Box	Box/ Carton
504.0016.020	014.0221.001	ST4B, ST4B..BM 20 - 25 - 32 - 40	10-25 mbar - neutral	1	1
504.0017.020	014.0222.001	ST4B, ST4B..BM 20 - 25 - 32 - 40	20-70 mbar - violet	1	1
E836D	014.0223.001	ST4B, ST4B..BM 20 - 25 - 32 - 40	65-120 mbar - brown	1	1
504.0018.020	014.0225.001	ST4B, ST4B..BM 20 - 25 - 32 - 40	110-230 mbar - white	1	1
504.0036.020	014.0520.001	ST4B, ST4B..BM 20 - 25 - 32 - 40	220-340 mbar - black	1	1
504.0041.020	014.0523.001	ST4B, ST4B..BM 20 - 25 - 32 - 40	330-450 mbar - orange	1	1
E320	014.0231.001	ST4B, ST4B..BM 50	10-30 mbar - neutral	1	1
E619d	014.0232.001	ST4B, ST4B..BM 50	25-70 mbar - violet	1	1
E631d	014.0233.001	ST4B, ST4B..BM 50	65-150 mbar - brown	1	1
504.0038.020	014.0521.001	ST4B, ST4B..BM 50	140-270 mbar - white	1	1
504.0039.020	014.0522.001	ST4B, ST4B..BM 50	260-380 mbar - black	1	1
504.0043.020	014.0524.001	ST4B, ST4B..BM 50	370-450 mbar - orange	1	1
504.0015.020	014.0267.000	BM 20 - 25 - 32 - 40 - 50	50-200 mbar - neutral	1	1
504.0059.000	014.0265.000	BM 20 - 25 - 32 - 40 - 50	190-400 mbar - Red	1	1
504.0060.000	014.0266.000	BM 20 - 25 - 32 - 40 - 50	390-700 mbar - Blue	1	1

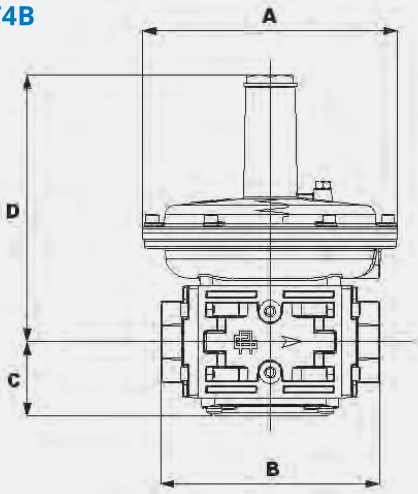
Type	Part Number	Connection	Description	Q.ty/Box	Box/ Carton
3500	014.0515.001	ST4B, ST4B..BM 20 - 25	Revision components kit	1	1
3501	014.0516.001	ST4B, ST4B..BM 32 - 40	Revision components kit	1	1
3502	014.0517.001	ST4B, ST4B..BM 50	Revision components kit	1	1
-	014.0545.000	ST4B..BM 20	Transformation kit	1	1
-	014.0546.000	ST4B..BM 25	Transformation kit	1	1
-	014.0547.000	ST4B..BM 32	Transformation kit	1	1
-	014.0548.000	ST4B..BM 40	Transformation kit	1	1
-	014.0549.000	ST4B..BM 50	Transformation kit	1	1

SELECTION GUIDE: SPRINGS

Model/Colour	ST4B 15 - 20 - 25	ST4B 32 - 40	ST4B 50
NEUTRAL 	10-25 mbar (014.0221.001)	10-30 mbar (014.0221.001)	5-15 mbar (014.0231.001)
PURPLE 	20-70 mbar (014.0222.001)	25-70 mbar (014.0222.001)	10-35 mbar (014.0232.001)
BROWN 	65-120 mbar (014.0223.001)	65-150 mbar (014.0223.001)	30-80 mbar (014.0233.001)
WHITE 	110-230 mbar (014.0225.001)	110-230 mbar (014.0225.001)	140-270 mbar (014.0521.001)
BLACK 	220-340 mbar (014.0520.001)	220-340 mbar (014.0520.001)	260-380 mbar (014.0522.001)
ORANGE 	330-450 mbar (014.0523.001)	330-450 mbar (014.0523.001)	370-450 mbar (014.0524.001)

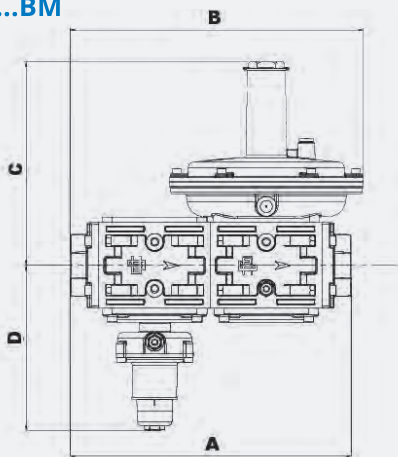
OVERALL DIMENSIONS

ST4B



Model Connections		A	B	C	D
ST4B20	Rp 3/4" UNI-ISO 7/1	195	126	38	190
ST4B25	Rp 1" UNI-ISO 7/1	195	126	38	190
ST4B32	Rp 1.1/4" UNI-ISO 7/1	195	167	57	205
ST4B40	Rp 1.1/2" UNI-ISO 7/1	195	167	57	205
ST4B50	Rp 2" UNI-ISO 7/1	260	195	62	262

ST4B...BM

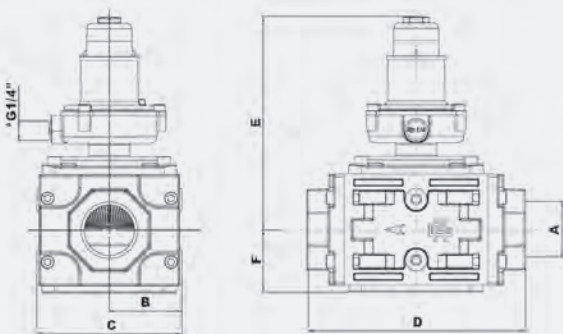


Model Connections		A	B	C	D
ST4B20BM	Rp 3/4" UNI-ISO 7/1	200	234	190	123
ST4B25BM	Rp 1" UNI-ISO 7/1	200	234	190	123
ST4B32BM	Rp 1.1/4" UNI-ISO 7/1	282	294	204	146
ST4B40BM	Rp 1.1/2" UNI-ISO 7/1	282	294	204	146
ST4B50BM	Rp 2" UNI-ISO 7/1	326	360	262	150

TECHNICAL NOTE

(*) G1/4" connection to be connected downstream of the regulator.

BM



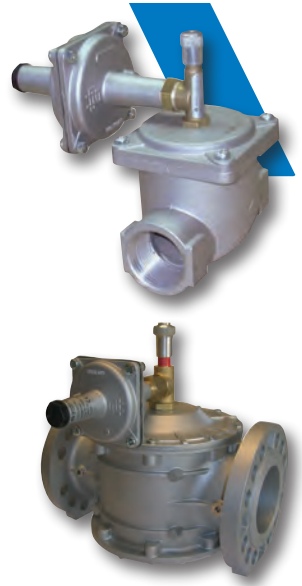
Model	BM20	BM25	BM32	BM40	BM50
A	Rp 3/4"	Rp 1"	Rp 1.1/4"	Rp 1.1/2"	Rp 2"
B	37	37	57	57	68
C	74	74	114	114	136
D	126	126	170	170	195
E	142	142	165	165	169
F	12	12	49	49	58

SLAM SHUT-OFF AND RELIEF VALVES

MB

Aluminium maximum pressure shut-off valve to EN 88-2.

Max. inlet pressure 1 bar. Suitable for manufactured gas, natural gas, liquefied petroleum gas (LPG), non-aggressive gas and air. Operating temperature range: -10÷60°C.

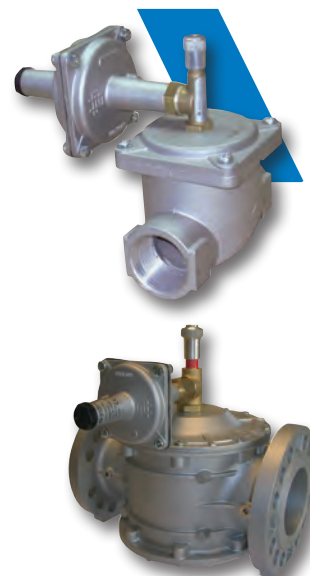


Type	Part Number	Connec- tion	Description	Q.ty/ Box	Box/ Carton
MB20	019.0002.001	3/4"	With neutral spring 80-550 mbar	1	1
MB20	019.0002.002	3/4"	With blue spring 30- 120 mbar	1	1
MB25	019.0003.001	1"	With neutral spring 80-550 mbar	1	1
MB25	019.0003.002	1"	With blue spring 30- 120 mbar	1	1
MB32	019.0004.001	1.1/4"	With neutral spring 80-550 mbar	1	1
MB32	019.0004.002	1.1/4"	With blue spring 30- 120 mbar	1	1
MB40	019.0005.001	1.1/2"	With neutral spring 80-550 mbar	1	1
MB40	019.0005.002	1.1/2"	With blue spring 30- 120 mbar	1	1
MB50	019.0006.001	2"	With neutral spring 80-550 mbar	1	1
MB50	019.0006.002	2"	With blue spring 30- 120 mbar	1	1
MB65	019.0007.101	DN65	With neutral spring 80-550 mbar	1	1
MB65	019.0007.102	DN65	With blue spring 30- 120 mbar	1	1
MB80	019.0008.101	DN80	With neutral spring 80-550 mbar	1	1
MB80	019.0008.102	DN80	With blue spring 30- 120 mbar	1	1
MB100	019.0009.001	DN100	With neutral spring 80-550 mbar	1	1
MB100	019.0009.002	DN100	With blue spring 30- 120 mbar	1	1
MB125	019.0010.001	DN125	With neutral spring 80-550 mbar	1	1
MB125	019.0010.002	DN125	With blue spring 30- 120 mbar	1	1
MB150	019.0011.001	DN150	With neutral spring 80-550 mbar	1	1
MB150	019.0011.002	DN150	With blue spring 30- 120 mbar	1	1

Dimensions on page 36

MB/6B

Aluminium maximum pressure shut-off valve to EN 88-2. Max. inlet pressure 6 bar. Suitable for manufactured gas, natural gas, liquefied petroleum gas (LPG), non-aggressive gas and air. Operating temperature range: -10÷60°C.



Type	Part Number	Conne- ction	Description	Q.ty/ Box	Box/ Carton
MB15/6B	019.0021.001	1/2"	With neutral spring 80-550 mbar	1	1
MB15/6B	019.0021.002	1/2"	With blue spring 30- 120 mbar	1	1
MB20/6B	019.0022.001	3/4"	With neutral spring 80-550 mbar	1	1
MB20/6B	019.0022.002	3/4"	With blue spring 30- 120 mbar	1	1
MB25/6B	019.0023.001	1"	With neutral spring 80-550 mbar	1	1
MB25/6B	019.0023.002	1"	With blue spring 30- 120 mbar	1	1
MB32/6B	019.0024.001	1.1/4"	With neutral spring 80-550 mbar	1	1
MB32/6B	019.0024.002	1.1/4"	With blue spring 30- 120 mbar	1	1
MB40/6B	019.0025.001	1.1/2"	With neutral spring 80-550 mbar	1	1
MB40/6B	019.0025.002	1.1/2"	With blue spring 30- 120 mbar	1	1
MB50/6B	019.0026.001	2"	With neutral spring 80-550 mbar	1	1
MB50/6B	019.0026.002	2"	With blue spring 30- 120 mbar	1	1
MB65/6B	019.0027.101	DN65	With neutral spring 80-550 mbar	1	1
MB65/6B	019.0027.102	DN65	With blue spring 30- 120 mbar	1	1
MB80/6B	019.0028.101	DN80	With neutral spring 80-550 mbar	1	1
MB80/6B	019.0028.102	DN80	With blue spring 30- 120 mbar	1	1
MB100/6B	019.0029.001	DN100	With neutral spring 80-550 mbar	1	1
MB100/6B	019.0029.002	DN100	With blue spring 30- 120 mbar	1	1
MB125/6B	019.0030.001	DN125	With neutral spring 80-550 mbar	1	1
MB125/6B	019.0030.002	DN125	With blue spring 30- 120 mbar	1	1
MB150/6B	019.0031.001	DN150	With neutral spring 80-550 mbar	1	1
MB150/6B	019.0031.002	DN150	With blue spring 30- 120 mbar	1	1

Dimensions on page 36

SPRINGS

Type	Part Number	Slam shut- off valve	Range and colour	Q.ty/ Box	Box/ Carton
E737	014.0204.001	MB, MB/6B	30-120 mbar - blue	1	1
504.0001.000	014.0262.001	MB, MB/6B	80-550 mbar - neutral	1	1

MS

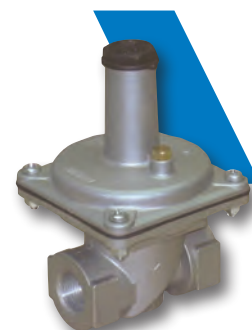
Aluminium relief valve. Max. inlet pressure 6 bar. Suitable for manufactured gas, natural gas, liquefied petroleum gas (LPG), non-aggressive gas and air. Operating temperature range: -10÷60°C.

Type	Part Number	Conne- ction	Description	Q.ty/ Box	Box/ Carton
MS20	002.0004.001	3/4"	With blue spring 80-550 mbar	1	1
MS20	002.0004.002	3/4"	With red spring 30- 120 mbar	1	1
MS25	002.0005.001	1"	With blue spring 80-550 mbar	1	1
MS25	002.0005.002	1"	With red spring 30- 120 mbar	1	1

Dimensions on page 36

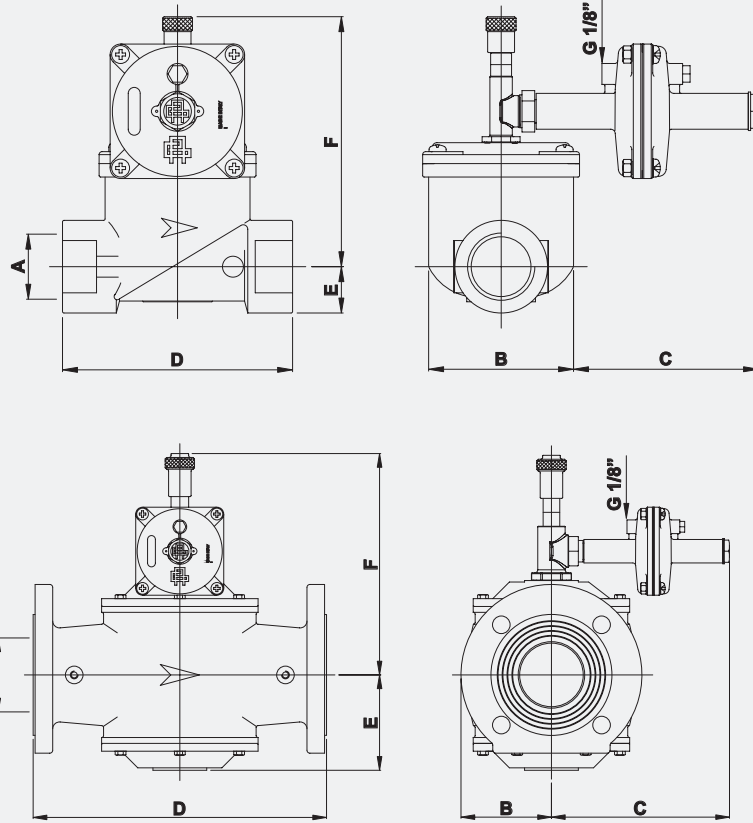
SPRINGS

Type	Part Number	Relief valve	Range and colour	Q.ty/ Box	Box/ Carton
E1211D	014.0212.001	MS	30-130 mbar - red	1	1
504.0003.000	014.0216.001	MS	80-600 mbar - blue	1	1



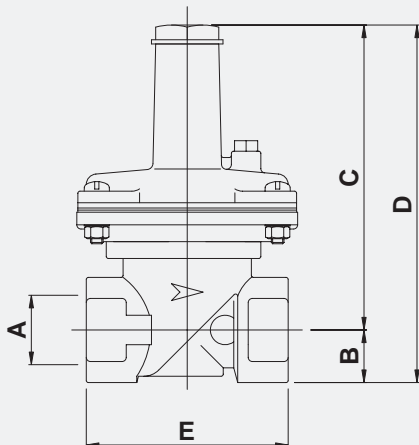
OVERALL DIMENSIONS

MB



Mod.	MB15	MB20	MB25	MB32	MB40	MB50	MB65	MB80	MB100	MB125	MB150
	MB15/6B	MB20/6B	MB25/6B	MB32/6B	MB40/6B	MB50/6B	MB65/6B	MB80/6B	MB100/6B	MB125/6B	MB150/6B
A	Rp 1/2"	Rp 3/4"	Rp 1"	Rp 1 1/4"	Rp 1 1/2"	Rp 2"	DN 65	DN 80	DN 100	DN 125	DN 150
B	25	35	35	52	52	64	93	100	110	125	142
C	175	175	175	175	175	175	197	197	197	180	180
D	76	96	96	154	154	173	300	300	360	480	480
E	15	25	25	31	31	39	100	100	105	170	170
F	120	140	140	170	170	170	230	230	230	370	370

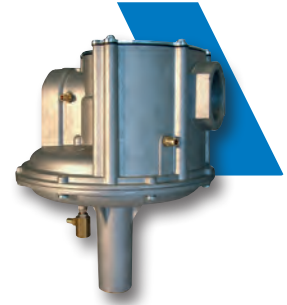
MS



Type	A	B	C	D	E
MS20	Rp 3/4"	25	145	170	96
MS25	Rp 1"	25	145	170	96

AIR/GAS RATIO CONTROL VALVES**GAVR**

Air/gas ratio control valve with max. inlet pressure of 200mbar. Max. air inlet pressure 120mbar. Ratio 1:1. Adjustable minimum flow rate. Suitable for manufactured gas, natural gas, liquefied petroleum gas (LPG), non-aggressive gas and air. Operating temperature range: -10÷60°C.



Type	Part Number	Connec- tion	Description	Q.ty/ Box	Box/ Carton
GAVR15	020.0001.101	1/2"	outlet pressure 2-120 mbar	1	1
GAVR20	020.0002.101	3/4"	outlet pressure 2-120 mbar	1	1
GAVR25	020.0003.101	1"	outlet pressure 2-120 mbar	1	1
GAVR32	020.0004.101	1.1/4"	outlet pressure 2-120 mbar	1	1
GAVR40	020.0005.101	1.1/2"	outlet pressure 2-120 mbar	1	1
GAVR50/40	020.0016.101	2"	outlet pressure 2-120 mbar	1	1
GAVR50	020.0006.101	2"	outlet pressure 2-120 mbar	1	1

Dimensions on page 38

VRGA

Air/gas ratio control valve with max. inlet pressure of 200mbar. Max. air inlet pressure 120mbar. Ratio 1:1. Adjustable minimum flow rate. Suitable for manufactured gas, natural gas, liquefied petroleum gas (LPG), non-aggressive gas and air. Operating temperature range: -10÷60°C.



Type	Part Number	Connec- tion	Description	Q.ty/ Box	Box/ Carton
VRGA65	020.0007.101	DN65	outlet pressure 2-120 mbar	1	1
VRGA80	020.0008.101	DN80	outlet pressure 2-120 mbar	1	1
VRGA100	020.0009.001	DN100	outlet pressure 2-120 mbar	1	1

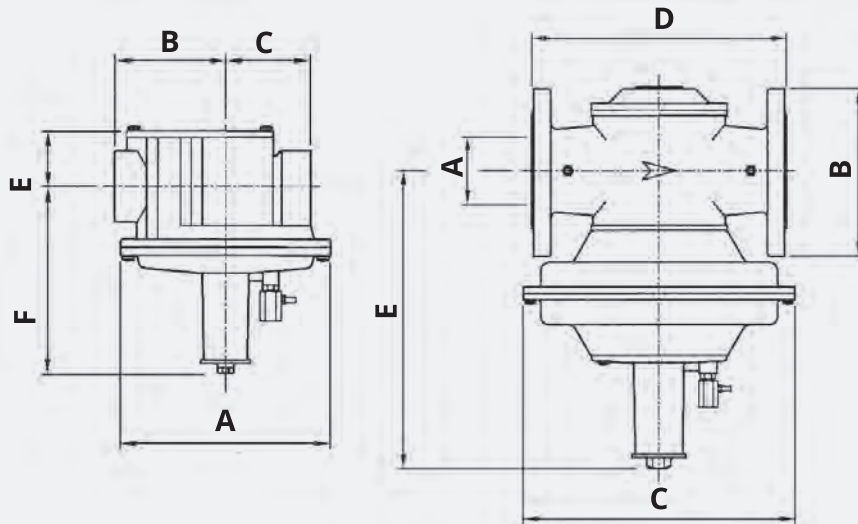
Dimensions on page 38

PARTS KIT

Type	Part Number	Gas governor	Description	Q.ty/Box	Box/ Carton
3306	014.0148.000	GAVR 15 - 20 - 25	Revision components kit	1	1
3307	014.0149.000	GAVR 32 - 40 - 50/40	Revision components kit	1	1
3303	014.0145.000	GAVR 50	Revision components kit	1	1
3304	014.0146.000	VRGA 65 - 80	Revision components kit	1	1
3305	014.0147.000	VRGA 100	Revision components kit	1	1

OVERALL DIMENSIONS

VRGA-GAVR



Type	Connections	A	B	C	D	E	F
GAVR 15	Rp 1/2" UNI ISO 7/1						
GAVR 20	Rp 3/4" UNI ISO 7/1	146	73	58	-	38	138
GAVR 25	Rp 1" UNI ISO 7/1						
GAVR 32	Rp 1"1/4 UNI ISO 7/1	194	98	80	-	52	179
GAVR 40	Rp 1"1/2 UNI ISO 7/1						
GAVR 50/40	Rp 2" UNI ISO 7/1	260	135	85	-	65	250
GAVR 50	Rp 2" UNI ISO 7/1						
VRGA 65	DN 65 PN 16	DN65	185	320	300	340	-
VRGA 80	DN 80 PN 16	DN80	200	320	300	340	-
VRGA 100	DN 100 PN 16	DN100	220	370	360	410	-

AUTOMATIC ON-OFF SOLENOID VALVES

GSAVO

Automatic ON-OFF normally closed class A gas solenoid valve with threaded connections. Quick opening and closing. Brass body. Coil with IP65 connector. Suitable for manufactured gas, natural gas, liquefied petroleum gas (LPG), non-aggressive gas and air. Operating temperature range: -20÷60°C.



Type	Part Number	Connection	Description	Q.ty/Box	Box/ Carton
GSAVO15	021.0030.001	1/2"	Voltage. 230 Vac. Press. max 0,2bar	1	1
GASVO15/08B	021.0031.001	1/2"	Voltage. 230 Vac. Press. max 0,8bar	1	1

Dimensions on page 43

GSAV

Automatic ON-OFF normally closed class A gas solenoid valve with threaded connections. Quick opening and closing. Aluminium body. Coil with IP65 connector. Suitable for manufactured gas, natural gas, liquefied petroleum gas (LPG), non-aggressive gas and air. Operating temperature range: -20÷60°C.



Type	Part Number	Connection	Description	Q.ty/Box	Box/ Carton
GSAV15/02B	021.0020.001	1/2"	Voltage. 230 Vac. Press. max 0,2bar	1	1
GSAV20/02B	021.0021.001	3/4"	Voltage. 230 Vac. Press. max 0,2bar	1	1
GSAV25/02B	021.0022.001	1"	Voltage. 230 Vac. Press. max 0,2bar	1	1

Dimensions on page 43

GSAV-R

Automatic ON-OFF normally closed class A gas solenoid valve with threaded connections. Quick opening and closing with adjustable flow rate. Aluminium body. Coil with IP65 connector (1/2"-3/4"-1"). Coil with IP54 electrical enclosure (1/4"1/2"-2"). Suitable for manufactured gas, natural gas, liquefied petroleum gas (LPG), non-aggressive gas and air. Operating temperature range: -20÷60°C.



Type	Part Number	Connection	Description	Q.ty/Box	Box/ Carton
GSAV15R	021.0010.001	1/2"	Voltage. 230 Vac. Press. max 0,5bar	1	1
GSAV20R	021.0011.001	3/4"	Voltage. 230 Vac. Press. max 0,5bar	1	1
GSAV25R	021.0012.001	1"	Voltage. 230 Vac. Press. max 0,5bar	1	1
GSAV32R	021.0013.101	1.1/4"	Voltage. 230 Vac. Press. max 0,5bar	1	1
GSAV40R	021.0014.101	1.1/2"	Voltage. 230 Vac. Press. max 0,5bar	1	1
GSAV50R	021.0015.101	2"	Voltage. 230 Vac. Press. max 0,5bar	1	1

Dimensions on page 42

GSAV-2R

Automatic ON-OFF normally closed class A gas solenoid valve with threaded connections. Quick opening and closing with adjustable flow rate. Aluminium body. Coil with IP54 connector. Suitable for manufactured gas, natural gas, liquefied petroleum gas (LPG), non-aggressive gas and air. Operating temperature range: -20÷60°C.



Type	Part Number	Connection	Description	Q.ty/Box	Box/ Carton
GSAV202R	021.0121.001	3/4"	Voltage. 230 Vac. Press. max 0,2bar	1	1
GSAV252R	021.0122.001	1"	Voltage. 230 Vac. Press. max 0,2bar	1	1
GSAV322R	021.0123.001	1.1/4"	Voltage. 230 Vac. Press. max 0,2bar	1	1
GSAV402R	021.0124.001	1.1/2"	Voltage. 230 Vac. Press. max 0,2bar	1	1
GSAV502R	021.0125.001	2"	Voltage. 230 Vac. Press. max 0,2bar	1	1
GSAV652R	021.0126.001	DN65	Voltage. 230 Vac. Press. max 0,2bar	1	1
GSAV802R	021.0127.001	DN80	Voltage. 230 Vac. Press. max 0,2bar	1	1
GSAV1002R	021.0128.001	DN100	Voltage. 230 Vac. Press. max 0,2bar	1	1

Dimensions on page 43

GSAV-2L

Automatic ON-OFF normally closed class A gas solenoid valve with threaded connections. Slow opening and quick closing with adjustable flow rate. Aluminium body. Coil with IP54 connector. Suitable for manufactured gas, natural gas, liquefied petroleum gas (LPG), non-aggressive gas and air. Operating temperature range: -20÷60°C.

Type	Part Number	Conne- ction	Description	Q.ty/ Box	Box/ Carton
GSAV202L	021.0131.001	3/4"	Voltage. 230 Vac. Press. max 0,2bar	1	1
GSAV252L	021.0132.001	1"	Voltage. 230 Vac. Press. max 0,2bar	1	1
GSAV322L	021.0133.001	1.1/4"	Voltage. 230 Vac. Press. max 0,2bar	1	1
GSAV402L	021.0134.001	1.1/2"	Voltage. 230 Vac. Press. max 0,2bar	1	1
GSAV502L	021.0135.001	2"	Voltage. 230 Vac. Press. max 0,2bar	1	1

Dimensions on page 43



AMSV-R

Automatic ON-OFF normally closed class A gas solenoid valve with threaded connections. Quick opening and closing with adjustable flow rate. Aluminium body. Coil with IP65 connector (1/2"-3/4"-1"). Coil with IP54 electrical enclosure (1.1/4"-1.1/2"-2"). Suitable for manufactured gas, natural gas, liquefied petroleum gas (LPG), non-aggressive gas and air. Operating temperature range: -20÷60°C.

Type	Part Number	Conne- ction	Description	Q.ty/ Box	Box/ Carton
AMSV205R	021.0139.001	3/4"	Voltage. 230 Vac. Press. max 0,5bar	1	1
AMSV255R	021.0140.001	1"	Voltage. 230 Vac. Press. max 0,5bar	1	1
AMSV325R	021.0141.101	1.1/4"	Voltage. 230 Vac. Press. max 0,5bar	1	1
AMSV405R	021.0142.101	1.1/2"	Voltage. 230 Vac. Press. max 0,5bar	1	1
AMSV505R	021.0143.101	2"	Voltage. 230 Vac. Press. max 0,5bar	1	1

Dimensions on page 43



AMSV-2R

Automatic ON-OFF normally closed class A gas solenoid valve with threaded connections. Quick opening and closing with adjustable flow rate. Aluminium body. Coil with IP54 connector. Suitable for manufactured gas, natural gas, liquefied petroleum gas (LPG), non-aggressive gas and air. Operating temperature range: -20÷60°C.

Type	Part Number	Conne- ction	Description	Q.ty/ Box	Box/ Carton
AMSV202R	021.0041.001	3/4"	Voltage. 230 Vac. Press. max 0,2bar	1	1
AMSV252R	021.0042.001	1"	Voltage. 230 Vac. Press. max 0,2bar	1	1
AMSV322R	021.0043.001	1.1/4"	Voltage. 230 Vac. Press. max 0,2bar	1	1
AMSV402R	021.0044.001	1.1/2"	Voltage. 230 Vac. Press. max 0,2bar	1	1
AMSV502R	021.0045.001	2"	Voltage. 230 Vac. Press. max 0,2bar	1	1

Dimensions on page 43

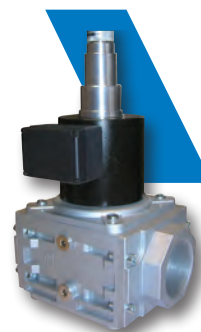


AMSV-2L

Automatic ON-OFF normally closed class A gas solenoid valve with threaded connections. Slow opening and quick closing with adjustable flow rate. Aluminium body. Coil with IP54 connector. Suitable for manufactured gas, natural gas, liquefied petroleum gas (LPG), non-aggressive gas and air. Operating temperature range: -20÷60°C.

Type	Part Number	Connec-tion	Description	Q.ty/ Box	Box/ Carton
AMSV202L	021.0061.001	3/4"	Voltage. 230 Vac. Press. max 0,2bar	1	1
AMSV252L	021.0062.001	1"	Voltage. 230 Vac. Press. max 0,2bar	1	1
AMSV322L	021.0063.001	1.1/4"	Voltage. 230 Vac. Press. max 0,2bar	1	1
AMSV402L	021.0064.001	1.1/2"	Voltage. 230 Vac. Press. max 0,2bar	1	1
AMSV502L	021.0065.001	2"	Voltage. 230 Vac. Press. max 0,2bar	1	1

Dimensions on page 43



GHAV

Automatic ON-OFF normally closed class A gas solenoid valve with threaded connections. Actuated by IP54 electro-hydraulic actuator. Aluminium body. Suitable for manufactured gas, natural gas, liquefied petroleum gas (LPG), non-aggressive gas and air. Operating temperature range: -20÷60°C.

Type	Part Number	Connec-tion	Description	Q.ty/ Box	Box/ Carton
GHAV65	021.0100.001	DN65	Voltage. 230 Vac. Press. max 1bar	1	1
GHAV80	021.0101.001	DN80	Voltage. 230 Vac. Press. max 1bar	1	1
GHAV100	021.0102.001	DN100	Voltage. 230 Vac. Press. max 1bar	1	1
GHAV125	021.0103.001	DN125	Voltage. 230 Vac. Press. max 1bar	1	1
GHAV150	021.0104.001	DN150	Voltage. 230 Vac. Press. max 1bar	1	1



PARTS KIT

Type	Part Number	Valve	Description	Q.ty/ Box	Box/ Carton
511.2102.001	014.0307.001	GSAVO15	Coil RAC 230 Vac	1	1
511.0041.001	014.0305.001	GSAVO15/08B - GSAV15/02B	Coil RAC 230 Vac	1	1
511.0219.001	014.0306.001	GSAV20/02B - GSAV25/02B	Coil RAC 230 Vac	1	1
2104	014.0277.001	GSAVO - GSAV15-20-25/02B	Connector 230 Vac	1	1
821.0030.990	014.0471.001	AMSV, GSAV 202 - 252 R-L	Coil RAC 230 Vac	1	1
821.0031.990	014.0472.001	AMSV, GSAV 322 - 402 R-L	Coil RAC 230 Vac	1	1
821.0032.990	014.0473.001	AMSV, GSAV 502 R-L	Coil RAC 230 Vac	1	1
821.0032.990	014.0473.001	AMSV325-405-505R, GSAV32-40-50R	Coil RAC 230 Vac	1	1
821.0121.990	014.0487.001	GSAV 652 - 802 R	Coil RAC 230 Vac	1	1
821.0122.990	014.0488.001	GSAV1002 R	Coil RAC 230 Vac	1	1
511.0042.990	014.0474.001	AMSV, GSAV 202 - 252 R-L	Rectifier bridge 230Vac	1	1
511.0043.990	014.0475.001	AMSV, GSAV 322 - 402 - 502 R-L	Rectifier bridge 230Vac	1	1
511.0043.990	014.0475.001	AMSV325-405-505R, GSAV32-40-50R	Rectifier bridge 230Vac	1	1
511.0057.990	014.0489.990	GSAV 652 - 802 R	Rectifier bridge 230Vac	1	1
511.0058.990	014.0490.990	GSAV1002 R	Rectifier bridge 230Vac	1	1
511.2102.001	014.0303.001	GSAV15R	Coil RAC 230 Vac	1	1
511.0020.001	014.0049.001	GSAV 20 - 25 R, AMSV 205 - 255 R	Coil RAC 230 Vac	1	1
511.0020.990	014.0046.001	GSAV 20 - 25 R	Coil RAC 230 Vac + nucleo + molla	1	1
511.0021.991	014.0048.001	GSAV 32 - 40 R, AMSV 325 - 405 R (90W)	Coil RAC 230 Vac (in esaurimento)	1	1
511.0022.991	014.0048.001	GSAV50R, AMSV50R	Coil RAC 230 Vac (in esaurimento)	1	1
511.0023.990	014.0280.001	GSAV15-20-25R, AMSV205-255R	Kit Connector RAC 230 Vac + LED	1	1
511.0026.001	014.0060.001	GHAV 65 - 80	Actuator 230 Vac	1	1
511.0027.001	014.0061.001	GHAV 100	Actuator 230 Vac	1	1
511.0028.001	014.0062.001	GHAV 125 - 150	Actuator 230 Vac	1	1

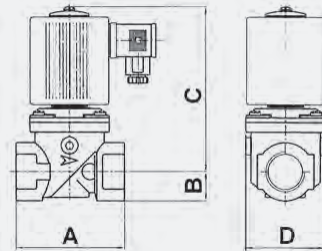
SELECTION GUIDE: COILS AND CONNECTORS

Type	Connection	Coil	Connector	Rectifier bridge
GSAVO15	1/2"	014.0307.001	014.0277.001	-
GSAVO15/08B	1/2"	014.0305.001	014.0277.001	-
GSAV15/02B	1/2"	014.0305.001	014.0277.001	-
GSAV20/02B	3/4 "	014.0306.001	014.0277.001	-
GSAV25/02B	1"	014.0306.001	014.0277.001	-
GSAV-R	1/2"	014.0303.001	014.0280.001	-
GSAV-2R	3/4" - 1"	014.0471.001	-	014.0474.001
	1.1/4" - 1.1/2"	014.0472.001	-	014.0475.001
	2"	014.0473.001	-	014.0475.001
	DN65-DN80	014.0487.001	-	014.0489.990
	DN100	014.0488.001	-	014.0490.990
GSAV-2L	3/4" - 1"	014.0471.001	-	014.0474.001
	1.1/4" - 1.1/2"	014.0472.001	-	014.0475.001
	2"	014.0473.001	-	014.0475.001
AMSV-2R	3/4" - 1"	014.0471.001	-	014.0474.001
	1.1/4" - 1.1/2"	014.0472.001	-	014.0475.001
	2"	014.0473.001	-	014.0475.001
AMSV-2L	3/4" - 1"	014.0471.001	-	014.0474.001
	1.1/4" - 1.1/2"	014.0472.001	-	014.0475.001
	2"	014.0473.001	-	014.0475.001
GHAV	DN65 - DN 80	014.0060.001	-	-
	DN100	014.0060.001	-	-
	DN125 - DN150	014.0060.001	-	-

	Connections	Products purchased up to 31/12/2016		Products purchased from 01/01/2017		
		Coils	Connectors	Coils	Rectifier	Connectors
GSAV-2L	3/4" - 1"	014.0046.001	014.0280.001	014.0049.001	-	014.0280.001
	1.1/4" - 1.1/2"	014.0048.001 (90W)	014.0280.001	014.0473.001	014.0475.001	-
	2"	014.0048.001	014.0280.001	014.0473.001	014.0475.001	-
GSAV-2L	3/4" - 1"	available to order	014.0280.001	014.0049.001	-	014.0280.001
	1.1/4" - 1.1/2"	014.0048.001 (90W)	014.0280.001	014.0473.001	014.0475.001	-
	2"	014.0048.001	014.0280.001	014.0473.001	014.0475.001	-

OVERALL DIMENSIONS

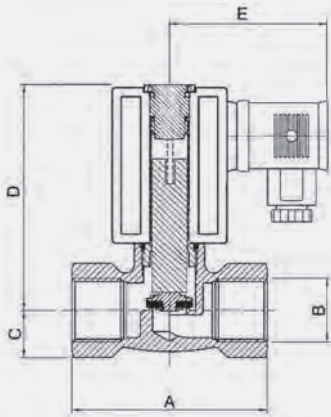
GSAV..R



Model	GSAV15R	GSAV20R	GSAV25R	GSAV32R	GSAV40R	GSAV50R
Connections	Rp 1/2"	Rp 3/4"	Rp 1"	Rp 1.1/4"	Rp 1.1/2"	Rp 2"
A	76	96	96	154	154	173
B	15	25	25	31	31	39
C	101	137	137	193	193	194
D	52	70	70	105	105	127

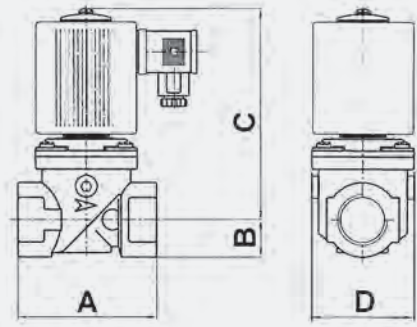
OVERALL DIMENSIONS

GSAVO



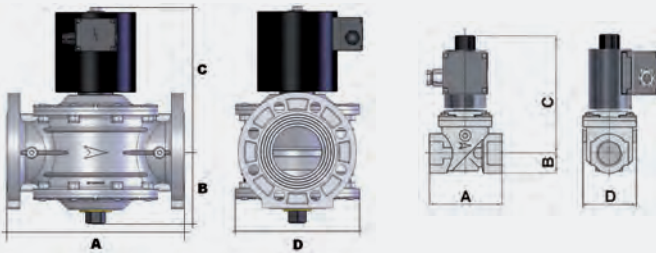
Model	A	B	C	D	E
GSAVO15	64	Rp 1/2"	15	90	60
GSAVO15/08B					

GSAV



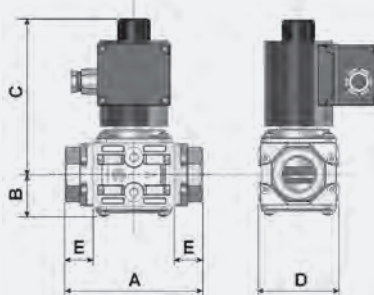
Model	Connections	A	B	C	D
GSAV15/02B	Rp 1/2"	76	15	107	52
GSAV20/02B	Rp 3/4"	96	25	137	70
GSAV25/02B	Rp 1"	96	25	137	70

GSAV/2R..2L



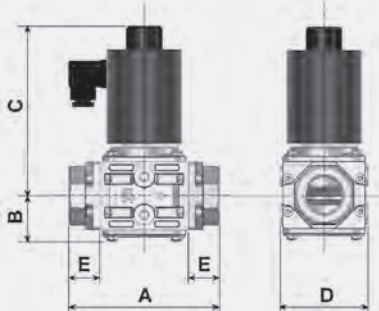
Model	Connections	A	B	C	D
GSAV202R	Rp 3/4"	96	25	155	70
GSAV202L	Rp 3/4"	96	25	229	70
GSAV252R	Rp 1"	96	25	155	70
GSAV252L	Rp 1"	96	25	229	70
GSAV322R	Rp 1 1/4"	154	31	193	105
GSAV322L	Rp 1 1/4"	154	31	271	105
GSAV402R	Rp 1 1/2"	154	31	193	105
GSAV402L	Rp 1 1/2"	154	31	271	105
GSAV502R	Rp 2"	173	39	194	127
GSAV502L	Rp 2"	173	39	283	127
GSAV652R	DN65 - PN16	300	120	245	210
GSAV802R	DN80 - PN16	300	120	245	210
GSAV1002R	DN100 - PN16	360	135	280	220

AMSV..2R



Model	Connections	A	B	C	D	E
AMSV20..R	Rp 3/4"	126	38	142	74	26
AMSV20..L	Rp 3/4"	126	38	216	74	26
AMSV25..R	Rp 1"	126	38	142	74	26
AMSV25..L	Rp 1"	126	38	216	74	26
AMSV32..R	Rp 1 1/4"	167	57	167	113	29
AMSV32..L	Rp 1 1/4"	167	57	245	113	29
AMSV40..R	Rp 1 1/2"	167	57	167	113	29
AMSV40..L	Rp 1 1/2"	167	57	245	113	29
AMSV50..R	Rp 2"	195	62	171	135	32
AMSV50..L	Rp 2"	195	62	250	135	32

AMSV..5R



Model	Connections	A	B	C	D	E
AMSV205R	Rp 3/4"	126	38	142	74	26
AMSV255R	Rp 1"	126	38	142	74	26
AMSV325R	Rp 1 1/4"	167	57	167	113	29
AMSV405R	Rp 1 1/2"	167	57	167	113	29
AMSV505R	Rp 2"	195	62	171	135	32

SOLENOID VALVES WITH MANUAL RESETTING

MSVO

Normally open gas solenoid valve with manual resetting and threaded connections. Brass body. Coil with IP65 connector. Suitable for manufactured gas, natural gas, liquefied petroleum gas (LPG), non-aggressive gas and air. Operating temperature range: -20÷60°C. Max. operating pressure: 0.5bar.



Type	Part Number	Conne- tion	Description	Q.ty/ Box	Box/ Carton
MSVO12	010.0020.001	1/2"	Voltage 230 Vac.	1	1
MSVO12	010.0020.002	1/2"	Voltage 24 Vac.	1	1
MSVO12	010.0020.003	1/2"	Voltage 12 Vdc.	1	1
MSVO34	010.0021.001	3/4"	Voltage 230 Vac.	1	1
MSVO34	010.0021.002	3/4"	Voltage 24 Vac.	1	1
MSVO34	010.0021.003	3/4"	Voltage 12 Vdc.	1	1
MSVO100	010.0022.001	1"	Voltage 230 Vac.	1	1
MSVO100	010.0022.002	1"	Voltage 24 Vac.	1	1
MSVO100	010.0022.003	1"	Voltage 12 Vdc.	1	1

Dimensions on page 56

MSVO/6B

Normally open gas solenoid valve with manual resetting and threaded connections. Brass body. Coil with IP65 connector. Suitable for manufactured gas, natural gas, liquefied petroleum gas (LPG), non-aggressive gas and air. Operating temperature range: -20÷60°C. Max. operating pressure: 6bar.



Type	Part Number	Conne- tion	Description	Q.ty/ Box	Box/ Carton
MSVO12/6B	010.0030.001	1/2"	Voltage 230 Vac.	1	1
MSVO12/6B	010.0030.002	1/2"	Voltage 24 Vac.	1	1
MSVO12/6B	010.0030.003	1/2"	Voltage 12 Vdc.	1	1
MSVO34/6B	010.0031.001	3/4"	Voltage 230 Vac.	1	1
MSVO34/6B	010.0031.002	3/4"	Voltage 24 Vac.	1	1
MSVO34/6B	010.0031.003	3/4"	Voltage 12 Vdc.	1	1
MSVO100/6B	010.0032.001	1"	Voltage 230 Vac.	1	1
MSVO100/6B	010.0032.002	1"	Voltage 24 Vac.	1	1
MSVO100/6B	010.0032.003	1"	Voltage 12 Vdc.	1	1

Dimensions on page 56

EVO

Normally closed gas solenoid valve with manual resetting and threaded connections. Brass body. Coil with IP65 connector. Suitable for manufactured gas, natural gas, liquefied petroleum gas (LPG), non-aggressive gas and air. Operating temperature range: -20÷60°C.
Max. operating pressure: 0.5 bar.



Type	Part Number	Connec- tion	Description	Q.ty/ Box	Box/ Carton
EVO15	010.0040.001	1/2"	Voltage 230 Vac.	1	1
EVO15	010.0040.002	1/2"	Voltage 24 Vac.	1	1
EVO15	010.0040.003	1/2"	Voltage 12 Vdc.	1	1
EVO20	010.0041.001	3/4"	Voltage 230 Vac.	1	1
EVO20	010.0041.002	3/4"	Voltage 24 Vac.	1	1
EVO20	010.0041.003	3/4"	Voltage 12 Vdc.	1	1
EVO25	010.0042.001	1"	Voltage 230 Vac.	1	1
EVO25	010.0042.002	1"	Voltage 24 Vac.	1	1
EVO25	010.0042.003	1"	Voltage 12 Vdc.	1	1

Dimensions on page 56

EVO/6B

Normally closed gas solenoid valve with manual resetting and threaded connections. Brass body. Coil with IP65 connector. Suitable for manufactured gas, natural gas, liquefied petroleum gas (LPG), non-aggressive gas and air. Operating temperature range: -20÷60°C.
Max. operating pressure: 6bar.



Type	Part Number	Connec- tion	Description	Q.ty/ Box	Box/ Carton
EVO15/6B	010.0050.001	1/2"	Voltage 230 Vac.	1	1
EVO15/6B	010.0050.002	1/2"	Voltage 24 Vac.	1	1
EVO15/6B	010.0050.003	1/2"	Voltage 12 Vdc.	1	1
EVO20/6B	010.0051.001	3/4"	Voltage 230 Vac.	1	1
EVO20/6B	010.0051.002	3/4"	Voltage 24 Vac.	1	1
EVO20/6B	010.0051.003	3/4"	Voltage 12 Vdc.	1	1
EVO25/6B	010.0052.001	1"	Voltage 230 Vac.	1	1
EVO25/6B	010.0052.002	1"	Voltage 24 Vac.	1	1
EVO25/6B	010.0052.003	1"	Voltage 12 Vdc.	1	1

Dimensions on page 56

MSV

Normally open gas solenoid valve with manual resetting. Aluminium body. Coil with IP65 connector. Suitable for manufactured gas, natural gas, liquefied petroleum gas (LPG), non-aggressive gas and air. Operating temperature range: -20-60°C. Max. operating pressure: 0.5 bar.



Type	Part Number	Connec-tion	Description	Q.ty/Box	Box/ Carton
MSV12	010.0080.001	1/2"	Voltage 230 Vac.	1	1
MSV12	010.0080.002	1/2"	Voltage 24 Vac.	1	1
MSV12	010.0080.003	1/2"	Voltage 12 Vdc.	1	1
MSV34	010.0081.001	3/4"	Voltage 230 Vac.	1	1
MSV34	010.0081.002	3/4"	Voltage 24 Vac.	1	1
MSV34	010.0081.003	3/4"	Voltage 12 Vdc.	1	1
MSV100	010.0082.001	1"	Voltage 230 Vac.	1	1
MSV100	010.0082.002	1"	Voltage 24 Vac.	1	1
MSV100	010.0082.003	1"	Voltage 12 Vdc.	1	1
MSV114	010.0083.001	1.1/4"	Voltage 230 Vac.	1	1
MSV114	010.0083.002	1.1/4"	Voltage 24 Vac.	1	1
MSV114	010.0083.003	1.1/4"	Voltage 12 Vdc.	1	1
MSV112	010.0084.001	1.1/2"	Voltage 230 Vac.	1	1
MSV112	010.0084.002	1.1/2"	Voltage 24 Vac.	1	1
MSV112	010.0084.003	1.1/2"	Voltage 12 Vdc.	1	1
MSV112F	010.0084.011	DN40	Voltage 230 Vac.	1	1
MSV112F	010.0084.012	DN40	Voltage 24 Vac.	1	1
MSV112F	010.0084.013	DN40	Voltage 12 Vdc.	1	1
MSV200	010.0085.001	2"	Voltage 230 Vac.	1	1
MSV200	010.0085.002	2"	Voltage 24 Vac.	1	1
MSV200	010.0085.003	2"	Voltage 12 Vdc.	1	1
MSV200F	010.0085.011	DN50	Voltage 230 Vac.	1	1
MSV200F	010.0085.012	DN50	Voltage 24 Vac.	1	1
MSV200F	010.0085.013	DN50	Voltage 12 Vdc.	1	1
MSV212	010.0086.101	DN65	Voltage 230 Vac.	1	1
MSV212	010.0086.102	DN65	Voltage 24 Vac.	1	1
MSV212	010.0086.103	DN65	Voltage 24 Vdc.	1	1
MSV212	010.0086.104	DN65	Voltage 12 Vdc.	1	1
MSV300	010.0087.101	DN80	Voltage 230 Vac.	1	1
MSV300	010.0087.102	DN80	Voltage 24 Vac.	1	1
MSV300	010.0087.103	DN80	Voltage 24 Vdc.	1	1
MSV300	010.0087.104	DN80	Voltage 12 Vdc.	1	1
MSV400	010.0088.001	DN100	Voltage 230 Vac.	1	1
MSV400	010.0088.002	DN100	Voltage 24 Vac.	1	1
MSV400	010.0088.003	DN100	Voltage 24 Vdc.	1	1
MSV400	010.0088.004	DN100	Voltage 12 Vdc.	1	1
MSV500	010.0089.001	DN125	Voltage 230 Vac.	1	1
MSV500	010.0089.002	DN125	Voltage 24 Vac./Vdc	1	1
MSV500	010.0089.003	DN125	Voltage 12 Vdc.	1	1
MSV600	010.0090.001	DN150	Voltage 230 Vac.	1	1
MSV600	010.0090.002	DN150	Voltage 24 Vac./Vdc	1	1
MSV600	010.0090.003	DN150	Voltage 12 Vdc.	1	1
MSV800	010.0091.001	DN200	Voltage 230 Vac.	1	1
MSV800	010.0091.002	DN200	Voltage 24 Vac./Vdc	1	1
MSV800	010.0091.003	DN200	Voltage 12 Vdc.	1	1
MSV1200	010.0092.001	DN300	Voltage 230 Vac.	1	1
MSV1200	010.0092.002	DN300	Voltage 24 Vac./Vdc	1	1
MSV1200	010.0092.003	DN300	Voltage 12 Vdc.	1	1

Dimensions on page 55

MSV/6B

Normally open gas solenoid valve with manual resetting. Aluminium body. Coil with IP65 connector. Suitable for manufactured gas, natural gas, liquefied petroleum gas (LPG), non-aggressive gas and air. Operating temperature range: -20-60°C. Max. operating pressure: 6 bar.



Type	Part Number	Connec- tion	Description	Q.ty/ Box	Box/ Carton
MSV12/6B	010.0120.001	1/2"	Voltage 230 Vac.	1	1
MSV12/6B	010.0120.002	1/2"	Voltage 24 Vac.	1	1
MSV12/6B	010.0120.003	1/2"	Voltage 12 Vdc.	1	1
MSV34/6B	010.0121.001	3/4"	Voltage 230 Vac.	1	1
MSV34/6B	010.0121.002	3/4"	Voltage 24 Vac.	1	1
MSV34/6B	010.0121.003	3/4"	Voltage 12 Vdc.	1	1
MSV100/6B	010.0122.001	1"	Voltage 230 Vac.	1	1
MSV100/6B	010.0122.002	1"	Voltage 24 Vac.	1	1
MSV100/6B	010.0122.003	1"	Voltage 12 Vdc.	1	1
MSV114/6B	010.0123.001	1.1/4"	Voltage 230 Vac.	1	1
MSV114/6B	010.0123.002	1.1/4"	Voltage 24 Vac.	1	1
MSV114/6B	010.0123.003	1.1/4"	Voltage 12 Vdc.	1	1
MSV112/6B	010.0124.001	1.1/2"	Voltage 230 Vac.	1	1
MSV112/6B	010.0124.002	1.1/2"	Voltage 24 Vac.	1	1
MSV112/6B	010.0124.003	1.1/2"	Voltage 12 Vdc.	1	1
MSV112/6BF	010.0124.011	DN40	Voltage 230 Vac.	1	1
MSV112/6BF	010.0124.012	DN40	Voltage 24 Vac.	1	1
MSV112/6BF	010.0124.013	DN40	Voltage 12 Vdc.	1	1
MSV200/6B	010.0125.001	2"	Voltage 230 Vac.	1	1
MSV200/6B	010.0125.002	2"	Voltage 24 Vac.	1	1
MSV200/6B	010.0125.003	2"	Voltage 12 Vdc.	1	1
MSV200/6BF	010.0125.011	DN50	Voltage 230 Vac.	1	1
MSV200/6BF	010.0125.012	DN50	Voltage 24 Vac.	1	1
MSV200/6BF	010.0125.013	DN50	Voltage 12 Vdc.	1	1
MSV212/6B	010.0126.101	DN65	Voltage 230 Vac.	1	1
MSV212/6B	010.0126.102	DN65	Voltage 24 Vac.	1	1
MSV212/6B	010.0126.103	DN65	Voltage 24 Vdc.	1	1
MSV212/6B	010.0126.104	DN65	Voltage 12 Vdc.	1	1
MSV300/6B	010.0127.101	DN80	Voltage 230 Vac.	1	1
MSV300/6B	010.0127.102	DN80	Voltage 24 Vac.	1	1
MSV300/6B	010.0127.103	DN80	Voltage 24 Vdc.	1	1
MSV300/6B	010.0127.104	DN80	Voltage 12 Vdc.	1	1
MSV400/6B	010.0128.001	DN100	Voltage 230 Vac.	1	1
MSV400/6B	010.0128.002	DN100	Voltage 24 Vac.	1	1
MSV400/6B	010.0128.003	DN100	Voltage 24 Vdc.	1	1
MSV400/6B	010.0128.004	DN100	Voltage 12 Vdc.	1	1
MSV500/6B	010.0129.001	DN125	Voltage 230 Vac.	1	1
MSV500/6B	010.0129.002	DN125	Voltage 24 Vac./Vdc	1	1
MSV500/6B	010.0129.003	DN125	Voltage 12 Vdc.	1	1
MSV600/6B	010.0130.001	DN150	Voltage 230 Vac.	1	1
MSV600/6B	010.0130.002	DN150	Voltage 24 Vac./Vdc	1	1
MSV600/6B	010.0130.003	DN150	Voltage 12 Vdc.	1	1
MSV800/6B	010.0131.001	DN200	Voltage 230 Vac.	1	1
MSV800/6B	010.0131.002	DN200	Voltage 24 Vac./Vdc	1	1
MSV800/6B	010.0131.003	DN200	Voltage 12 Vdc.	1	1
MSV1200/6B	010.0132.001	DN300	Voltage 230 Vac.	1	1
MSV1200/6B	010.0132.002	DN300	Voltage 24 Vac./Vdc	1	1
MSV1200/6B	010.0132.003	DN300	Voltage 12 Vdc.	1	1

Dimensions on page 55

EV

Normally closed gas solenoid valve with manual resetting. Aluminium body. Coil with IP65 connector. Suitable for manufactured gas, natural gas, liquefied petroleum gas (LPG), non-aggressive gas and air. Operating temperature range: -20-60°C. Max. operating pressure: 0.5 bar.



Type	Part Number	Connec-tion	Description	Q.ty/Box	Box/ Carton
EV15	010.0180.001	1/2"	Voltage 230 Vac.	1	1
EV15	010.0180.002	1/2"	Voltage 24 Vac.	1	1
EV15	010.0180.003	1/2"	Voltage 12 Vdc.	1	1
EV20	010.0181.001	3/4"	Voltage 230 Vac.	1	1
EV20	010.0181.002	3/4"	Voltage 24 Vac.	1	1
EV20	010.0181.003	3/4"	Voltage 12 Vdc.	1	1
EV25	010.0182.001	1"	Voltage 230 Vac.	1	1
EV25	010.0182.002	1"	Voltage 24 Vac.	1	1
EV25	010.0182.003	1"	Voltage 12 Vdc.	1	1
EV32	010.0183.001	1.1/4"	Voltage 230 Vac.	1	1
EV32	010.0183.002	1.1/4"	Voltage 24 Vac.	1	1
EV32	010.0183.003	1.1/4"	Voltage 12 Vdc.	1	1
EV40	010.0184.001	1.1/2"	Voltage 230 Vac.	1	1
EV40	010.0184.002	1.1/2"	Voltage 24 Vac.	1	1
EV40	010.0184.003	1.1/2"	Voltage 12 Vdc.	1	1
EV40F	010.0184.011	DN40	Voltage 230 Vac.	1	1
EV40F	010.0184.012	DN40	Voltage 24 Vac.	1	1
EV40F	010.0184.013	DN40	Voltage 12 Vdc.	1	1
EV50	010.0185.001	2"	Voltage 230 Vac.	1	1
EV50	010.0185.002	2"	Voltage 24 Vac.	1	1
EV50	010.0185.003	2"	Voltage 12 Vdc.	1	1
EV50F	010.0185.011	DN50	Voltage 230 Vac.	1	1
EV50F	010.0185.012	DN50	Voltage 24 Vac.	1	1
EV50F	010.0185.013	DN50	Voltage 12 Vdc.	1	1
EV65	010.0186.101	DN65	Voltage 230 Vac.	1	1
EV65	010.0186.102	DN65	Voltage 24 Vac.	1	1
EV65	010.0186.103	DN65	Voltage 24 Vdc.	1	1
EV65	010.0186.104	DN65	Voltage 12 Vdc.	1	1
EV80	010.0187.101	DN80	Voltage 230 Vac.	1	1
EV80	010.0187.102	DN80	Voltage 24 Vac.	1	1
EV80	010.0187.103	DN80	Voltage 24 Vdc.	1	1
EV80	010.0187.104	DN80	Voltage 12 Vdc.	1	1
EV100	010.0188.001	DN100	Voltage 230 Vac.	1	1
EV100	010.0188.002	DN100	Voltage 24 Vac.	1	1
EV100	010.0188.003	DN100	Voltage 24 Vdc.	1	1
EV100	010.0188.004	DN100	Voltage 12 Vdc.	1	1
EV125	010.0189.001	DN125	Voltage 230 Vac.	1	1
EV125	010.0189.002	DN125	Voltage 24 Vac./Vdc	1	1
EV125	010.0189.003	DN125	Voltage 12 Vdc.	1	1
EV150	010.0190.001	DN150	Voltage 230 Vac.	1	1
EV150	010.0190.002	DN150	Voltage 24 Vac./Vdc	1	1
EV150	010.0190.003	DN150	Voltage 12 Vdc.	1	1
EV200	010.0191.001	DN200	Voltage 230 Vac.	1	1
EV200	010.0191.002	DN200	Voltage 24 Vac./Vdc	1	1
EV200	010.0191.003	DN200	Voltage 12 Vdc.	1	1
EV300	010.0192.001	DN300	Voltage 230 Vac.	1	1
EV300	010.0192.002	DN300	Voltage 24 Vac./Vdc	1	1
EV300	010.0192.003	DN300	Voltage 12 Vdc.	1	1

Dimensions on page 55

EV/6B

Normally closed gas solenoid valve with manual resetting. Aluminium body. Coil with IP65 connector. Suitable for manufactured gas, natural gas, liquefied petroleum gas (LPG), non-aggressive gas and air. Operating temperature range: -20-+60°C. Max. operating pressure: 6bar.



Type	Part Number	Connection	Description	Q.ty/ Box	Box/ Carton
EV15/6B	010.0220.001	1/2"	Voltage 230 Vac.	1	1
EV15/6B	010.0220.002	1/2"	Voltage 24 Vac.	1	1
EV15/6B	010.0220.003	1/2"	Voltage 12 Vdc.	1	1
EV20/6B	010.0221.001	3/4"	Voltage 230 Vac.	1	1
EV20/6B	010.0221.002	3/4"	Voltage 24 Vac.	1	1
EV20/6B	010.0221.003	3/4"	Voltage 12 Vdc.	1	1
EV25/6B	010.0222.001	1"	Voltage 230 Vac.	1	1
EV25/6B	010.0222.002	1"	Voltage 24 Vac.	1	1
EV25/6B	010.0222.003	1"	Voltage 12 Vdc.	1	1
EV32/6B	010.0223.001	1.1/4"	Voltage 230 Vac.	1	1
EV32/6B	010.0223.002	1.1/4"	Voltage 24 Vac.	1	1
EV32/6B	010.0223.003	1.1/4"	Voltage 12 Vdc.	1	1
EV40/6B	010.0224.001	1.1/2"	Voltage 230 Vac.	1	1
EV40/6B	010.0224.002	1.1/2"	Voltage 24 Vac.	1	1
EV40/6B	010.0224.003	1.1/2"	Voltage 12 Vdc.	1	1
EV40/6BF	010.0224.011	DN40	Voltage 230 Vac.	1	1
EV40/6BF	010.0224.012	DN40	Voltage 24 Vac.	1	1
EV40/6BF	010.0224.013	DN40	Voltage 12 Vdc.	1	1
EV50/6B	010.0225.001	2"	Voltage 230 Vac.	1	1
EV50/6B	010.0225.002	2"	Voltage 24 Vac.	1	1
EV50/6B	010.0225.003	2"	Voltage 12 Vdc.	1	1
EV50/6BF	010.0225.011	DN50	Voltage 230 Vac.	1	1
EV50/6BF	010.0225.012	DN50	Voltage 24 Vac.	1	1
EV50/6BF	010.0225.013	DN50	Voltage 12 Vdc.	1	1
EV65/6B	010.0226.101	DN65	Voltage 230 Vac.	1	1
EV65/6B	010.0226.102	DN65	Voltage 24 Vac.	1	1
EV65/6B	010.0226.103	DN65	Voltage 24 Vdc.	1	1
EV65/6B	010.0226.104	DN65	Voltage 12 Vdc.	1	1
EV80/6B	010.0227.101	DN80	Voltage 230 Vac.	1	1
EV80/6B	010.0227.102	DN80	Voltage 24 Vac.	1	1
EV80/6B	010.0227.103	DN80	Voltage 24 Vdc.	1	1
EV80/6B	010.0227.104	DN80	Voltage 12 Vdc.	1	1
EV100/6B	010.0228.001	DN100	Voltage 230 Vac.	1	1
EV100/6B	010.0228.002	DN100	Voltage 24 Vac.	1	1
EV100/6B	010.0228.003	DN100	Voltage 24 Vdc.	1	1
EV100/6B	010.0228.004	DN100	Voltage 12 Vdc.	1	1
EV125/6B	010.0229.001	DN125	Voltage 230 Vac.	1	1
EV125/6B	010.0229.002	DN125	Voltage 24 Vac./Vdc	1	1
EV125/6B	010.0229.003	DN125	Voltage 12 Vdc.	1	1
EV150/6B	010.0230.001	DN150	Voltage 230 Vac.	1	1
EV150/6B	010.0230.002	DN150	Voltage 24 Vac./Vdc	1	1
EV150/6B	010.0230.003	DN150	Voltage 12 Vdc.	1	1
EV200/6B	010.0231.001	DN200	Voltage 230 Vac.	1	1
EV200/6B	010.0231.001	DN200	Voltage 24 Vac./Vdc	1	1
EV200/6B	010.0231.001	DN200	Voltage 12 Vdc.	1	1
EV300/6B	010.0232.001	DN300	Voltage 230 Vac.	1	1
EV300/6B	010.0232.001	DN300	Voltage 24 Vac./Vdc	1	1
EV300/6B	010.0232.001	DN300	Voltage 12 Vdc.	1	1

Dimensions on page 55

MSVM/6B

Normally open gas solenoid valve with manual resetting. Aluminium body. Coil with IP65 connector. Suitable for manufactured gas, natural gas, liquefied petroleum gas (LPG), non-aggressive gas and air. Operating temperature range: -20÷60°C. Max. operating pressure: 6 bar. Version with limit micro-switch for checking open/closed status.

Type	Part Number	Connection	Description	Q.ty/Box	Box/ Carton
MSVM34/6B	010.0136.001	3/4"	Voltage 230 Vac.	1	1
MSVM100/6B	010.0137.001	1"	Voltage 230 Vac.	1	1
MSVM114/6B	010.0138.001	1.1/4"	Voltage 230 Vac.	1	1
MSVM112/6B	010.0139.001	1.1/2"	Voltage 230 Vac.	1	1
MSVM200/6B	010.0140.001	2"	Voltage 230 Vac.	1	1
MSVM212/6B	010.0141.001	DN65	Voltage 230 Vac.	1	1
MSVM300/6B	010.0142.101	DN80	Voltage 230 Vac.	1	1
MSVM400/6B	010.0143.001	DN100	Voltage 230 Vac.	1	1
MSVM500/6B	010.0144.001	DN125	Voltage 230 Vac.	1	1
MSVM600/6B	010.0145.001	DN150	Voltage 230 Vac.	1	1

Dimensions on page 56



EVM/6B

Normally closed gas solenoid valve with manual resetting. Aluminium body. Coil with IP65 connector. Suitable for manufactured gas, natural gas, liquefied petroleum gas (LPG), non-aggressive gas and air. Operating temperature range: -20÷60°C. Max. operating pressure: 6 bar. Version with limit micro-switch for checking open/closed status.

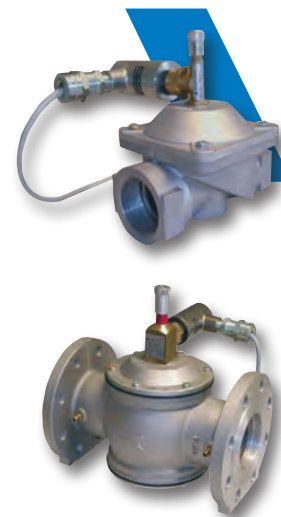
Type	Part Number	Connection	Description	Q.ty/Box	Box/ Carton
EVM20/6B	010.0236.001	3/4"	Voltage 230 Vac.	1	1
EVM25/6B	010.0237.001	1"	Voltage 230 Vac.	1	1
EVM32/6B	010.0238.001	1.1/4"	Voltage 230 Vac.	1	1
EVM40/6B	010.0239.001	1.1/2"	Voltage 230 Vac.	1	1
EVM50/6B	010.0240.001	2"	Voltage 230 Vac.	1	1
EVM65/6B	010.0241.101	DN65	Voltage 230 Vac.	1	1
EVM80/6B	010.0242.101	DN80	Voltage 230 Vac.	1	1
EVM100/6B	010.0243.001	DN100	Voltage 230 Vac.	1	1
EVM125/6B	010.0244.001	DN125	Voltage 230 Vac.	1	1
EVM150/6B	010.0245.001	DN150	Voltage 230 Vac.	1	1

Dimensions on page 56



MSV/6BEEXD

Normally open gas solenoid valve with manual resetting. Aluminium body. Coil with IP67 connector. Suitable for manufactured gas, natural gas, liquefied petroleum gas (LPG), non-aggressive gas and air. Operating temperature range: -20-60°C. Max. operating pressure: 6 bar. Explosion-proof version with EExd coil.

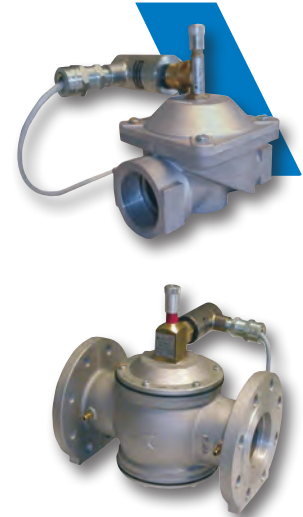


Type	Part Number	Conne- ction	Description	Q.ty/ Box	Box/ Carton
MSV12/6BEEXD	010.0320.001	1/2"	Voltage 230 Vac.	1	1
MSV12/6BEEXD	010.0320.002	1/2"	Voltage 24 Vac.	1	1
MSV12/6BEEXD	010.0320.003	1/2"	Voltage 24 Vdc.	1	1
MSV12/6BEEXD	010.0320.004	1/2"	Voltage 12 Vdc.	1	1
MSV34/6BEEXD	010.0321.001	3/4"	Voltage 230 Vac.	1	1
MSV34/6BEEXD	010.0321.002	3/4"	Voltage 24 Vac.	1	1
MSV34/6BEEXD	010.0321.003	3/4"	Voltage 24 Vdc.	1	1
MSV34/6BEEXD	010.0321.004	3/4"	Voltage 12 Vdc.	1	1
MSV100/6BEEXD	010.0322.001	1"	Voltage 230 Vac.	1	1
MSV100/6BEEXD	010.0322.002	1"	Voltage 24 Vac.	1	1
MSV100/6BEEXD	010.0322.003	1"	Voltage 24 Vdc.	1	1
MSV100/6BEEXD	010.0322.004	1"	Voltage 12 Vdc.	1	1
MSV114/6BEEXD	010.0323.001	1.1/4"	Voltage 230 Vac.	1	1
MSV114/6BEEXD	010.0323.002	1.1/4"	Voltage 24 Vac.	1	1
MSV114/6BEEXD	010.0323.003	1.1/4"	Voltage 24 Vdc.	1	1
MSV114/6BEEXD	010.0323.004	1.1/4"	Voltage 12 Vdc.	1	1
MSV112/6BEEXD	010.0324.001	1.1/2"	Voltage 230 Vac.	1	1
MSV112/6BEEXD	010.0324.002	1.1/2"	Voltage 24 Vac.	1	1
MSV112/6BEEXD	010.0324.003	1.1/2"	Voltage 24 Vdc.	1	1
MSV112/6BEEXD	010.0324.004	1.1/2"	Voltage 12 Vdc.	1	1
MSV200/6BEEXD	010.0325.001	2"	Voltage 230 Vac.	1	1
MSV200/6BEEXD	010.0325.002	2"	Voltage 24 Vac.	1	1
MSV200/6BEEXD	010.0325.003	2"	Voltage 24 Vdc.	1	1
MSV200/6BEEXD	010.0325.004	2"	Voltage 12 Vdc.	1	1
MSV212/6BEEXD	010.0326.101	DN65	Voltage 230 Vac.	1	1
MSV212/6BEEXD	010.0326.102	DN65	Voltage 24 Vac.	1	1
MSV212/6BEEXD	010.0326.103	DN65	Voltage 24 Vdc.	1	1
MSV212/6BEEXD	010.0326.104	DN65	Voltage 12 Vdc.	1	1
MSV300/6BEEXD	010.0327.101	DN80	Voltage 230 Vac.	1	1
MSV300/6BEEXD	010.0327.102	DN80	Voltage 24 Vac.	1	1
MSV300/6BEEXD	010.0327.103	DN80	Voltage 24 Vdc.	1	1
MSV300/6BEEXD	010.0327.104	DN80	Voltage 12 Vdc.	1	1
MSV400/6BEEXD	010.0328.001	DN100	Voltage 230 Vac.	1	1
MSV400/6BEEXD	010.0328.002	DN100	Voltage 24 Vac.	1	1
MSV400/6BEEXD	010.0328.003	DN100	Voltage 24 Vdc.	1	1
MSV400/6BEEXD	010.0328.004	DN100	Voltage 12 Vdc.	1	1
MSV500/6BEEXD	010.0329.001	DN125	Voltage 230 Vac.	1	1
MSV500/6BEEXD	010.0329.002	DN125	Voltage 24 Vac.	1	1
MSV500/6BEEXD	010.0329.003	DN125	Voltage 24 Vdc.	1	1
MSV500/6BEEXD	010.0329.004	DN125	Voltage 12 Vdc.	1	1
MSV600/6BEEXD	010.0330.001	DN150	Voltage 230 Vac.	1	1
MSV600/6BEEXD	010.0330.002	DN150	Voltage 24 Vac.	1	1
MSV600/6BEEXD	010.0330.003	DN150	Voltage 24 Vdc.	1	1
MSV600/6BEEXD	010.0330.004	DN150	Voltage 12 Vdc.	1	1

Dimensions on page 56

EV/6BEEXD

Normally closed gas solenoid valve with manual resetting. Aluminium body. Coil with IP67 connector. Suitable for manufactured gas, natural gas, liquefied petroleum gas (LPG), non-aggressive gas and air. Operating temperature range: -20÷60°C. Max. operating pressure: 6 bar. Explosion-proof version with EExd coil.



Type	Part Number	Connec-tion	Description	Q.ty/Box	Box/ Carton
EV15/6BEEXD	010.0420.001	1/2"	Voltage 230 Vac.	1	1
EV15/6BEEXD	010.0420.002	1/2"	Voltage 24 Vac.	1	1
EV15/6BEEXD	010.0420.003	1/2"	Voltage 24 Vdc.	1	1
EV15/6BEEXD	010.0420.004	1/2"	Voltage 12 Vdc.	1	1
EV20/6BEEXD	010.0421.001	3/4"	Voltage 230 Vac.	1	1
EV20/6BEEXD	010.0421.002	3/4"	Voltage 24 Vac.	1	1
EV20/6BEEXD	010.0421.003	3/4"	Voltage 24 Vdc.	1	1
EV20/6BEEXD	010.0421.004	3/4"	Voltage 12 Vdc.	1	1
EV25/6BEEXD	010.0422.001	1"	Voltage 230 Vac.	1	1
EV25/6BEEXD	010.0422.002	1"	Voltage 24 Vac.	1	1
EV25/6BEEXD	010.0422.003	1"	Voltage 24 Vdc.	1	1
EV25/6BEEXD	010.0422.004	1"	Voltage 12 Vdc.	1	1
EV32/6BEEXD	010.0423.001	1.1/4"	Voltage 230 Vac.	1	1
EV32/6BEEXD	010.0423.002	1.1/4"	Voltage 24 Vac.	1	1
EV32/6BEEXD	010.0423.003	1.1/4"	Voltage 24 Vdc.	1	1
EV32/6BEEXD	010.0423.004	1.1/4"	Voltage 12 Vdc.	1	1
EV40/6BEEXD	010.0424.001	1.1/2"	Voltage 230 Vac.	1	1
EV40/6BEEXD	010.0424.002	1.1/2"	Voltage 24 Vac.	1	1
EV40/6BEEXD	010.0424.003	1.1/2"	Voltage 24 Vdc.	1	1
EV40/6BEEXD	010.0424.004	1.1/2"	Voltage 12 Vdc.	1	1
EV50/6BEEXD	010.0425.001	2"	Voltage 230 Vac.	1	1
EV50/6BEEXD	010.0425.002	2"	Voltage 24 Vac.	1	1
EV50/6BEEXD	010.0425.003	2"	Voltage 24 Vdc.	1	1
EV50/6BEEXD	010.0425.004	2"	Voltage 12 Vdc.	1	1
EV65/6BEEXD	010.0426.101	DN65	Voltage 230 Vac.	1	1
EV65/6BEEXD	010.0426.102	DN65	Voltage 24 Vac.	1	1
EV65/6BEEXD	010.0426.103	DN65	Voltage 24 Vdc.	1	1
EV65/6BEEXD	010.0426.104	DN65	Voltage 12 Vdc.	1	1
EV80/6BEEXD	010.0427.101	DN80	Voltage 230 Vac.	1	1
EV80/6BEEXD	010.0427.102	DN80	Voltage 24 Vac.	1	1
EV80/6BEEXD	010.0427.103	DN80	Voltage 24 Vdc.	1	1
EV80/6BEEXD	010.0427.104	DN80	Voltage 12 Vdc.	1	1
EV100/6BEEXD	010.0428.001	DN100	Voltage 230 Vac.	1	1
EV100/6BEEXD	010.0428.002	DN100	Voltage 24 Vac.	1	1
EV100/6BEEXD	010.0428.003	DN100	Voltage 24 Vdc.	1	1
EV100/6BEEXD	010.0428.004	DN100	Voltage 12 Vdc.	1	1
EV125/6BEEXD	010.0429.001	DN125	Voltage 230 Vac.	1	1
EV125/6BEEXD	010.0429.002	DN125	Voltage 24 Vac.	1	1
EV125/6BEEXD	010.0429.003	DN125	Voltage 24 Vdc.	1	1
EV125/6BEEXD	010.0429.004	DN125	Voltage 12 Vdc.	1	1
EV150/6BEEXD	010.0430.001	DN150	Voltage 230 Vac.	1	1
EV150/6BEEXD	010.0430.002	DN150	Voltage 24 Vac.	1	1
EV150/6BEEXD	010.0430.003	DN150	Voltage 24 Vdc.	1	1
EV150/6BEEXD	010.0430.004	DN150	Voltage 12 Vdc.	1	1

Dimensions on page 56

PARTS KIT

Type	Part Number	Valve	Description	Q.ty/ Box	Box/ Carton
511.2041.001	014.0300.001	EVO, EV da 1/2" a 2"	Coil RAC 230 Vac	1	1
511.2103.001	014.0301.001	MSV da 1/2" a 2"	Coil 230 Vac	1	1
511.3426.001	014.0302.001	MSVO da 1/2" a 2"	Coil 230 Vac	1	1
511.2102.001	014.0303.001	MSV, EV 65 - 80 - 100	Coil RAC 230 Vac	1	1
511.0219.001	014.0306.001	MSV 125 - 150	Coil RAC 230 Vac	1	1
511.0216.001	014.0304.001	EV 125 - 150 - 200	Coil RAC 230 Vac	1	1
511.0216.990	014.0304.990	EV 300	Coil RAC 230 Vac	1	1
511.0216.001	014.0304.001	MSV 200 - 300	Coil RAC 230 Vac	1	1
511.2042.001	014.0310.001	MSVO, EVO, EV da 1/2" a 2"	Coil RAC 24 Vac	1	1
511.2109.001	014.0311.001	MSV, EV 65 - 80 - 100	Coil 24 Vac - Vdc	1	1
1729	014.0312.001	MSV da 1/2" a 2"	Coil 24 Vac	1	1
511.0218.001	014.0313.001	MSV, EV 125 - 150 - 200 - 300	Coil 24 Vac - Vdc	1	1
511.2116.001	014.0320.001	MSVO, EVO, MSV, EV da 1/2" a 2"	Coil 12 Vdc	1	1
511.2177.001	014.0321.001	MSV - EV 65 - 80 - 100	Coil 12 Vdc	1	1
511.0217.001	014.0322.001	MSV - EV 125 - 150 - 200 - 300	Coil 12 Vdc	1	1
2105	014.0275.001	MSVO, MSV da 1/2" a 2"	Connector 230 Vac	1	1
2105	014.0275.001	MSVO, MSV da 1/2" a 2"	Connector 24 Vac	1	1
2105	014.0275.001	MSVO, EVO, MSV, EV da 1/2" a DN300	Connector 12 Vdc	1	1
2105	014.0275.001	MSV, EV 65 - 80 - 100	Connector 24 Vdc	1	1
2104	014.0277.001	MSV da DN65 a DN300	Connector 230 Vac RAC	1	1
2104	014.0277.001	EVO, EV da 1/2" a 2" e da DN125 a DN300	Connector 230 Vac RAC	1	1
2045	014.0278.001	EV 65 - 80 - 100	Connector 230 Vac RAC	1	1
2108	014.0276.001	EVO, EV da 1/2" a 2"	Connector 24 Vac RAC	1	1
2108	014.0276.001	EV, MSV 65 - 80 - 100	Connector 24 Vac RAC	1	1
511.0070.000	014.0279.001	MSV, EV 125 - 150 - 200 - 300	Connector 24 Vac - Vdc	1	1
3046	014.0285.001	MSV - EV da 1/2" a DN150	Coil 230 Vac EEXD	1	1
3049	014.0286.001	MSV - EV da 1/2" a DN150	Coil 24 Vac EEXD	1	1
3036	014.0287.001	MSV - EV da 1/2" a DN150	Coil 24 Vdc EEXD	1	1
3037	014.0288.001	MSV - EV da 1/2" a DN150	Coil 12 Vdc EEXD	1	1
6218	014.0034.000	MSVM - EVM da 3/4" - DN150	Microswitch	1	1

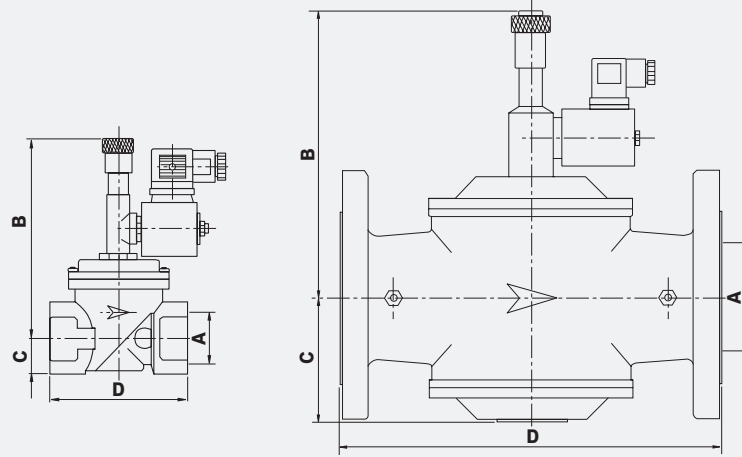
SELECTION GUIDE: COILS AND CONNECTORS

Type	Connections	Coils	Coils	Coils	Coils
		230 Vac	24 Vac	24 Vdc	12 Vdc
MSVO - MSVO/6B	1/2" - 1"	014.0302.001	014.0310.001	-	014.0320.001
EVO - EVO/6B	1/2" - 1"	014.0300.001	014.0310.001	-	014.0320.001
MSV MSV/6B MSVM/6B	1/2" - 2"	014.0301.001	014.0312.001	-	014.0320.001
	DN65 - DN100	014.0303.001	014.0311.001	014.0311.001	014.0321.001
	DN125 - DN150	014.0306.001	014.0313.001	014.0313.001	014.0322.001
	DN200 - DN300	014.0304.001	014.0313.001	014.0313.001	014.0322.001
EV EV/6B EVM/6B	1/2" - 2"	014.0300.001	014.0310.001	-	014.0320.001
	DN65 - DN100	014.0303.001	014.0311.001	014.0311.001	014.0321.001
	DN125 - DN150	014.0304.001	014.0313.001	014.0313.001	014.0322.001
	DN200	014.0304.001	014.0313.001	014.0313.001	014.0322.001
	DN300	014.0304.990	014.0313.001	014.0313.001	014.0322.001
MSV/6BEEXD	1/2" - DN150	014.0285.001	014.0286.001	014.0287.001	014.0288.001
EV/6BEEXD	1/2" - DN150	014.0285.001	014.0286.001	014.0287.001	014.0288.001

Type	Connections	Connectors	Connectors	Connectors	Connectors
		230 Vac	24 Vac	24 Vdc	12 Vdc
MSVO	1/2" - 1"	014.0275.001	014.0275.001	-	014.0275.001
MSVO/6B	1/2" - 1"	014.0275.001	014.0275.001	-	014.0275.001
EVO	1/2" - 1"	014.0277.001	014.0276.001	-	014.0275.001
EVO/6B	1/2" - 1"	014.0277.001	014.0276.001	-	014.0275.001
MSV MSV/6B MSVM/6B	1/2" - 2"	014.0277.001	014.0276.001	-	014.0275.001
	DN65 - DN100	014.0277.001	014.0276.001	014.0275.001	014.0275.001
	DN125 - DN150	014.0277.001	014.0279.001	014.0279.001	014.0275.001
	DN200 - DN300	014.0277.001	014.0279.001	014.0279.001	014.0275.001
EV EV/6B EVM/6B	1/2" - 2"	014.0277.001	014.0276.001	-	014.0275.001
	DN65 - DN100	014.0278.001	014.0276.001	014.0275.001	014.0275.001
	DN125 - DN150	014.0277.001	014.0279.001	014.0279.001	014.0275.001
	DN200 - DN300	014.0277.001	014.0279.001	014.0279.001	014.0275.001
MSV/6BEEXD	1/2" - DN150			With coil	
EV/6BEEXD	1/2" - DN150			With coil	

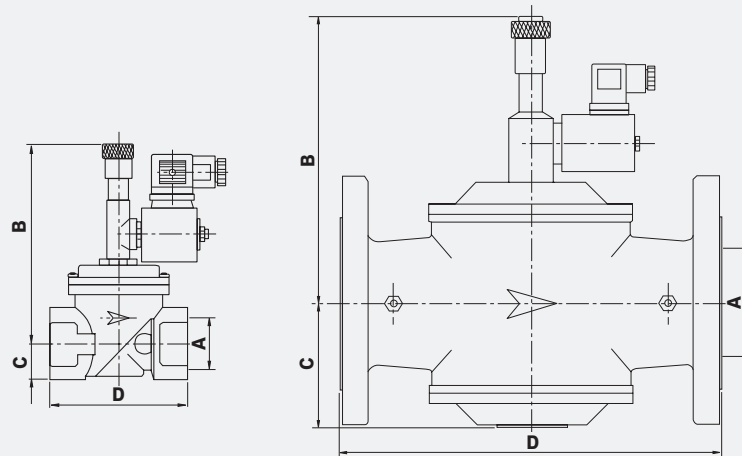
OVERALL DIMENSIONS

MSV - MSV/6B



Mod.	MSV12 MSV12/6B	MSV34 MSV100 MSV34/6B MSV100/6B	MSV114 MSV112 MSV114/6B MSV112/6B	MSV200 MSV200/6B	MSV212 MSV300 MSV212/6B MSV300/6B	MSV400 MSV400/6B	MSV500 MSV600 MSV500/6B MSV600/6B	MSV800 MSV800/6B	MSV1200 MSV1200/6B
A	Rp 1/2"	Rp 3/4"-1"	Rp 1.1/4"-Rp 1.1/2"	Rp 2"	DN 65-80	DN 100	DN 125-150	DN 200	DN 300
B	120	140	170	170	230	230	390	445	585
C	15	25	31	39	100	115	170	230	320
D	76	96	154	173	300	360	480	600	720

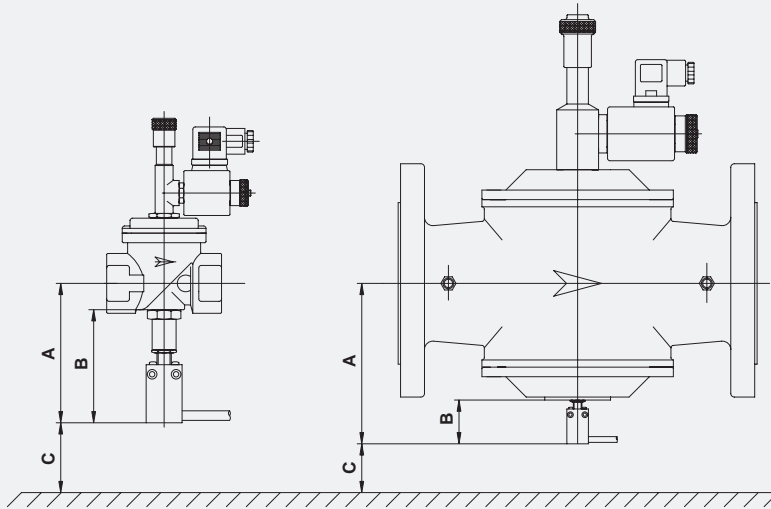
EV - EV/6B



Mod.	EV15 EV15/6B	EV20 - EV25 EV20/6B EV25/6B	EV32 - EV40 EV32/6B EV40/6B	EV50 EV50/6B	EV65 - EV80 EV65/6B EV80/6B	EV100 EV100/6B	EV125 - EV150 EV125/6B EV150/6B	EV200 EV200/6B	EV300 EV300/6B
A	Rp 1/2"	Rp 3/4"-1"	Rp 1.1/4"-Rp 1.1/2"	Rp 2"	DN 65-80	DN 100	DN 125-150	DN 200	DN 300
B	120	140	170	170	230	230	390	445	585
C	15	25	31	39	100	115	170	230	320
D	76	96	154	173	300	360	480	600	720

OVERALL DIMENSIONS

MSVM/6B - EVM/6B

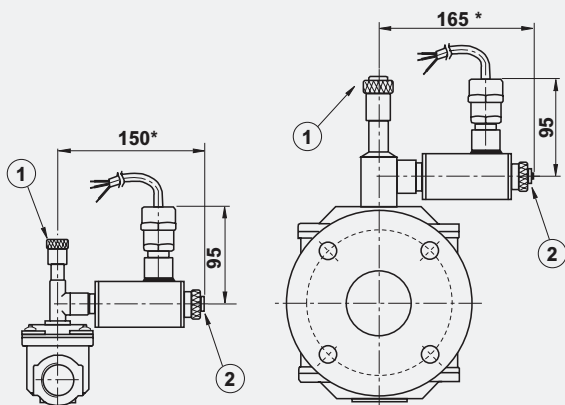


Mod.	3/4"	1"	1"1/4	1"1/2	2"	DN65	DN80	DN100	DN125	DN150
A	116	116	118	118	126.5	176.5	176.5	171	225	225
B	95	95	95	95	95	79	79	66	59	59
C	150	150	150	150	150	150	150	150	150	150

TECHNICAL NOTE

B: measurement to adhere to for correct adjustment of the position micro-switch.
 C: minimum recommended distance from ground for maintenance operations.

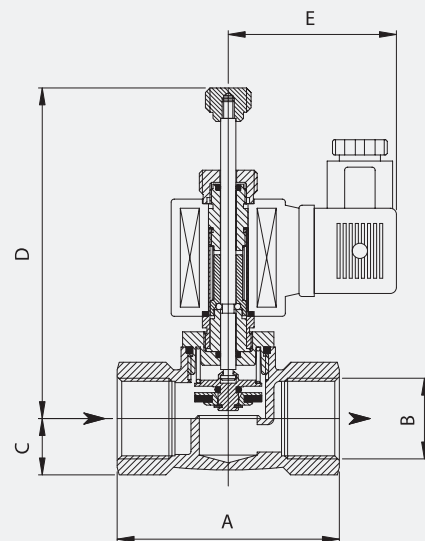
6BEEXD



TECHNICAL NOTE

Reset pushbutton (2) on MSV models only.
 * Allow at least twice as much in the event of coil replacement.

MSVO - EVO



Type	A	B	C	D	D
12	64	Rp 1/2"	15	110	55
34	73	Rp 3/4"	18	110	55
100	86	Rp 1"	22	110	55

GAS LEAK DETECTORS

GSX - GAS SENTINEL

Surface wall-mounting electronic domestic gas leak detector with acoustic and illuminating alarm, for connection to one or more normally closed solenoid valves (GSAVR, GHAV, EV, EVO series) or normally open solenoid valves (MSV, MSVO series).

White, wall-mounting version.



Type	Part Number	Description	Q.ty/Box	Box/ Carton
GSX	0941030	Detection of Methane and Natural gas	1	1
GSX	0941530	Detection of LPG, Propane and Butane.	1	1

Dimensions on page 59

GSW - GAS SENTINEL

Characteristics as per GSX but for flush wall-mounting. Compatible with the most common DIN plates and electrical enclosures on the market. Overall dimensions 115x66x62mm. White, wall-mounting version.



Type	Part Number	Description	Q.ty/Box	Box/ Carton
GSW	0941040	Detection of Methane and Natural gas	1	1
GSW	0941540	Detection of LPG, Propane and Butane.	1	1

Dimensions on page 59

CIVIC 1

Gas detector central unit for the connection of 1 UR13 or UR.20 probe; with LED-based optical interface (power ON, fault, gas alarm) and internal buzzer-based acoustic interface. Control output for gas alarm and OC output for fault indication.

In self-extinguishing plastic housing for DIN-rail mounting.



Type	Part Number	Description	Q.ty/Box	Box/ Carton
CIVIC1	0940501	Voltage 12 Vac	1	1

Dimensions on page 59

CIVIC 4

Gas detector central unit for the connection of 4 UR13 or UR20 probes; with LED-based optical interface (power ON, fault, gas alarm) and internal buzzer-based acoustic interface. Control output for gas alarm and OC output for fault indication.

In self-extinguishing plastic housing for DIN-rail mounting.



Type	Part Number	Description	Q.ty/Box	Box/ Carton
CIVIC4	0940504	Voltage 12 Vac	1	1

Dimensions on page 59

UR13

Gas detector sensor for CIVIC1 and CIVIC4 central units available in three versions for detecting natural gas, LPG and carbon monoxide (CO).
Protection rating IP44.

Type	Part Number	Description	Q.ty/Box	Box/ Carton
UR13	0940561	Methane detection	1	1
UR13	0940562	LPG detection	1	1
UR13	0940563	CO detection	1	1

Dimensions on page 59



UR20S

Gas detector in metal housing (Group II protection mode, category 3G, Ex nA IIC T6) with operating status indicator light, for indicating gas alarms by means of a 4÷20 mA analogue output or a trip threshold (pre-alarm, level 1 and 2 alarm, fault) that can be freely set with DIP-switches.
Protection rating IP55.

Type	Part Number	Description	Q.ty/Box	Box/ Carton
UR20S	0940571	Methane detection	1	1
UR20S	0940572	LPG detection	1	1
UR20S	0940573	CO detection	1	1

Dimensions on page 59



GAS SENTINEL KIT

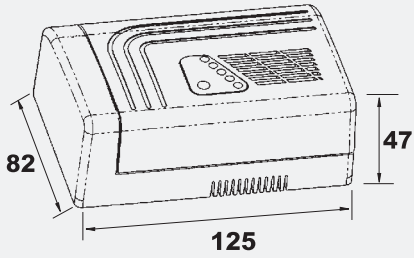
Wall-mounting domestic gas leak detector kit combined with normally open gas solenoid valve (MSVO) or normally closed gas solenoid valve (EVO), with manual resetting.

Type	Part Number	Description	Q.ty/Box	Box/ Carton
GSX/15NC	K0941060	KIT GSX METHANE + EVO15	1	1
GSX/20NC	K0941061	KIT GSX METHANE + EVO20	1	1
GSX/15NA	K0941050	KIT GSX METHANE + MSVO12	1	1
GSX/20NA	K0941051	KIT GSX METHANE + MSVO34	1	1
GSX/15NC	K0941560	KIT GSX LPG + EVO15	1	1
GSX/20NC	K0941561	KIT GSX LPG + EVO20	1	1
GSX/15NA	K0941550	KIT GSX LPG + MSVO12	1	1
GSX/20NA	K0941551	KIT GSX LPG + MSVO34	1	1

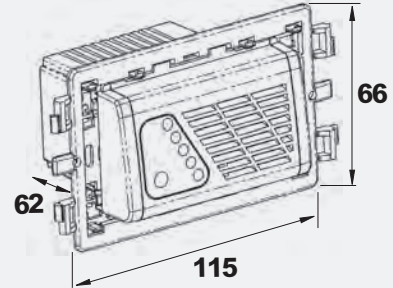


OVERALL DIMENSIONS

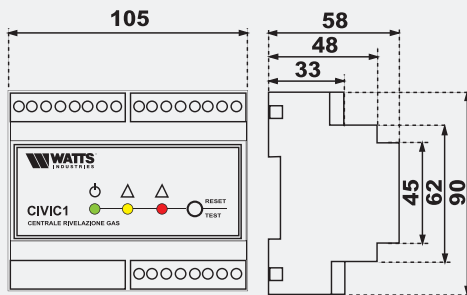
GSX



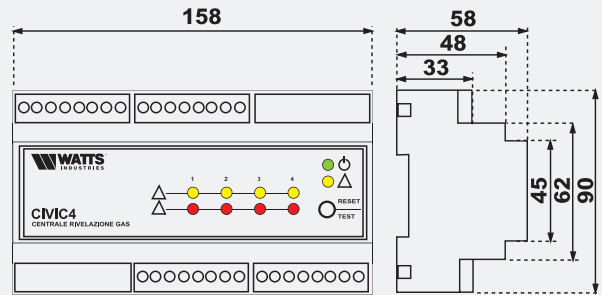
GSW



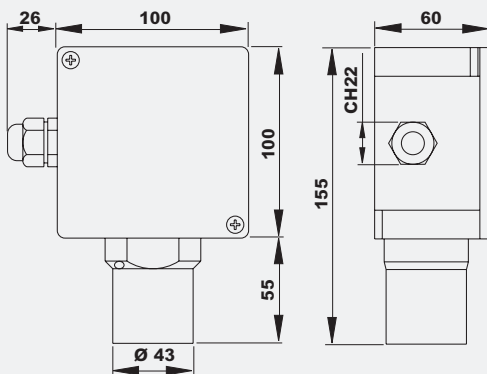
CIVIC1



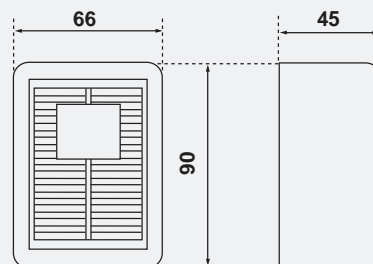
CIVIC4



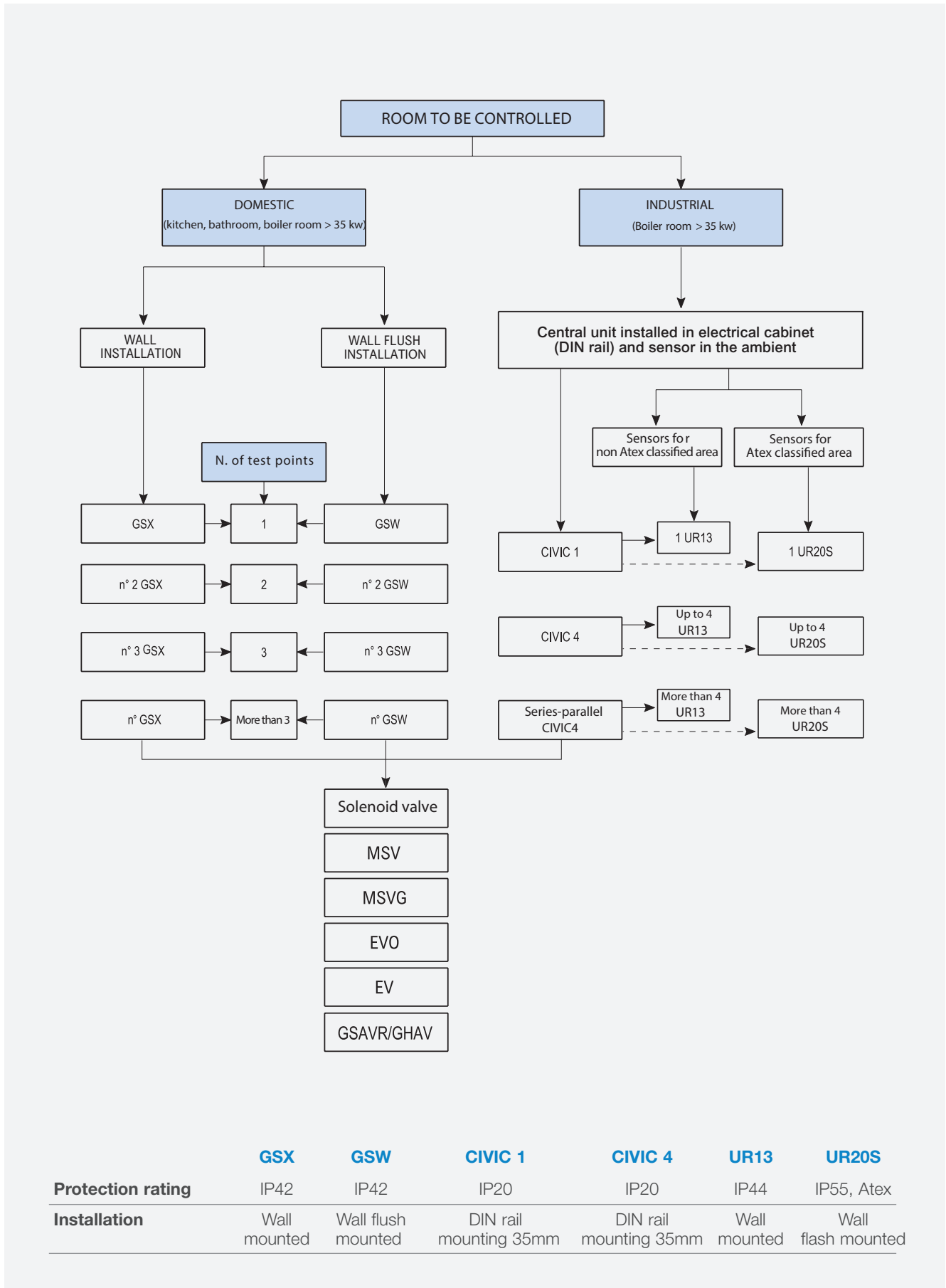
UR20S



UR13



EXPLANATORY BLOCK DIAGRAM

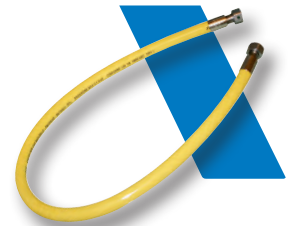


EXTENDABLE FLEXIBLE JOINTS

CMGFF

AISI 316L stainless steel hose with PVC protective casing. Suitable for connecting domestic gas appliances running on natural gas, propane, butane and LPG. 1/2"FF UNI-ISO 228/1 union nut connections with hexagon on hose next to F union nut to facilitate installation. PN 6. Pack includes gaskets.

Compliant with CPD 89/106 and UNI EN 14800:2007.

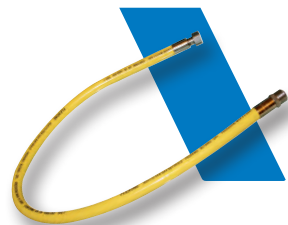


Type	Part Number	Connection	Description	Q.ty/Box	Box/ Carton
CMGFF	9494002		Pipe lenght 750 mm	1	25
CMGFF	9494003		Pipe lenght 1000 mm	1	25
CMGFF	9494005		Pipe lenght 1500 mm	1	25
CMGFF	9494006		Pipe lenght 2000 mm	1	25

CMGMF

AISI 316L stainless steel hose with PVC protective casing. Suitable for connecting domestic gas appliances running on natural gas, propane, butane and LPG. 1/2" MF UNI-ISO 228/1 connections (fixed male and female with union nut). PN 6. Pack includes gaskets.

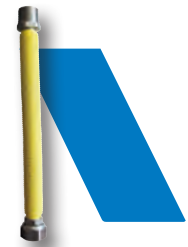
Compliant with CPD 89/106 and UNI EN 14800:2007.



Type	Part Number	Connection	Description	Q.ty/Box	Box/ Carton
CMGMF	9495002		Pipe lenght 750 mm	1	25
CMGMF	9495003		Pipe lenght 1000 mm	1	25
CMGMF	9495005		Pipe lenght 1500 mm	1	25
CMGMF	9495006		Pipe lenght 2000 mm	1	25

GE

Stainless steel extendable flexible joint with continuous outer casing, suitable for connecting gas appliances. Deformation with bend radius of not less than twice the nominal diameter. Suitable for natural gas, propane, butane and LPG. Axial elongation approximately twice the initial measurement. Polyethylene casing, NBR gasket. PN 0.5 bar. Female fitting: union nut with ISO 228-1 straight thread, male fitting: EN 10226-1 type R gas taper thread. **UNI-CIG 11353 compliant.**



Type	Part Number	Connection	Description	Q.ty/Box	Box/ Carton
GE	0916015	1/2"M x 1/2"F	Min. length 90 mm, max. lenght 140 mm	1	1
GE	0916020	3/4"M x 3/4"F	Min. length 90 mm, max. lenght 140 mm	1	1
GE	0916025	1"M x 1"F	Min. length 90 mm, max. lenght 140 mm	1	1
GE	0916115	1/2"M x 1/2"F	Min. length 130 mm, max. lenght 220 mm	1	1
GE	0916120	3/4"M x 3/4"F	Min. length 130 mm, max. lenght 220 mm	1	1
GE	0916125	1"M x 1"F	Min. length 130 mm, max. lenght 220 mm	1	1
GE	0916215	1/2"M x 1/2"F	Min. length 220 mm, max. lenght 420 mm	1	1
GE	0916220	3/4"M x 3/4"F	Min. length 220 mm, max. lenght 420 mm	1	1
GE	0916225	1"M x 1"F	Min. length 220 mm, max. lenght 420 mm	1	1

PROTECTION DEVICE

GUA

Yellow, spiral-reinforced, self-extinguishing flexible sheath with smooth internal surface for protecting gas pipes, as laid down in UNI-CIG 7129-08 and UNI-CIG 7131. PVC sheath. Crush-resistance: To 320 N. Temperature-resistance: -10÷70°C. Self-extinguishing to UL 94 class VO. Minimum bend radius less than 3 times the diameter (empty sheath). Absolute electrical insulation against stray currents. Absorbs the thermal expansion of gas supply pipes thereby preventing the formation of cracks in walls and floors.



Type	Part Number	Connection	Description	Q.ty/ Box	Box/ Carton
GUA	0917020	24,7 mm	20 mm	1	1
GUA	0917022	27 mm	22 mm	1	1
GUA	0917025	30,3 mm	25 mm	1	1
GUA	0917028	33,3 mm	28 mm	1	1
GUA	0917030	35,5 mm	30 mm	1	1
GUA	0917032	37,8 mm	32 mm	1	1
GUA	0917035	40,7 mm	35 mm	1	1
GUA	0917040	46,2 mm	40 mm	1	1
GUA	0917050	57 mm	50 mm	1	1
GUA	0917060	68 mm	60 mm	1	1

TECHNICAL NOTE - Protection of gas supply pipes

Cavity feed-through.
 Hollow brick, concrete, and prefabricated panel feed-through.
 Floor and ceiling slabs.
 Crossover or parallel runs of water supply pipes.
 Wherever it is necessary to insulate metal pipes against stray currents.

Italian standards UNI 7129-08 and UNI 7131-99 governing domestic gas supply systems supplied by the distribution network (UNI 7129) or with LPG (UNI 7131) require gas supply pipes to be inserted in a protective sheath. UNI 7129-08, 3.3.1.4.... omissis The internal diameter of the aforementioned sheaths must be at least 10 mm larger than the external diameter of the pipe.

SELF-EXTINGUISHING SHEATH WITH SPIRAL-REINFORCED EXTERNAL SURFACE AND SMOOTH INTERNAL SURFACE FOR PROTECTING GAS SUPPLY PIPES

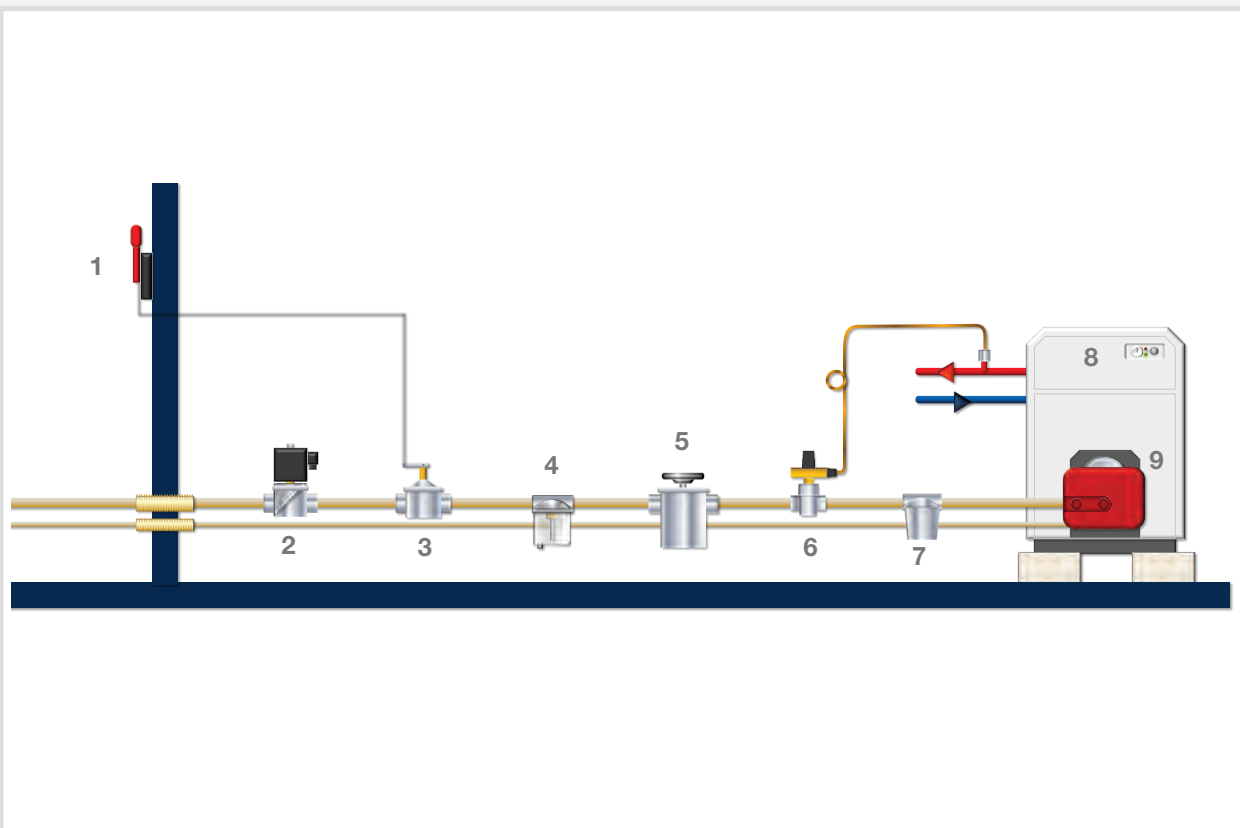
Sheath	Internal diameter of sheath	Nominal diameter of iron supply pipes	Weight
Part No.	mm	mm	g/m
0917020	20	10	100
0917022	22	12	107
0917025	25	15	114
0917028	28	18	140
0917030	30	20	177
0917032	32	22	220
0917035	35	25	274
0917040	40	30	350
0917050	50	40	420
0917060	60	50	517



Chapter 1.3

Devices for diesel and fuel oil

ACCESSORIES FOR A LIQUID FUEL LINE



- | | |
|-----------------------------------|------------------------|
| 1. Jerk-handle on/off valve lever | 6. Fuel shut-off valve |
| 2. Shut-off solenoid valve | 7. Strainer filter |
| 3. Jerk handle on/off valve | 8. Boiler |
| 4. Water separator filter | 9. Burner |
| 5. Self-cleaning filter | |

STRAINER FILTERS
SERIES 70450
70452A

Strainer filter for diesel, fuel oil and air with aluminium cover and bowl. Maximum temperature: 90°C. PN 2. NBR gaskets. 1/4" threaded connections.

Type	Part Number	Cartridge	Filter	Q.ty/ Box	Box/ Carton
70452/0015AP	001.0030.001	Paper filtering element	15 µ	50	50
70452/006AG	001.0030.003	Pleated stainless steel filtering element	60 µ	50	50
70452/006AL	001.0030.004	Smooth stainless steel filtering element	60 µ	50	50
70452/01AG	001.0030.005	Pleated stainless steel filtering element	100 µ	50	50
70452/01AL	001.0030.006	Smooth stainless steel filtering element	100 µ	50	50

Other packs available to order - Dimensions on page 86


70452P

Strainer filter for diesel, fuel oil and air with aluminium cover and transparent plastic bowl. Maximum temperature: 50°C. PN 2. NBR gaskets. 1/4" threaded connections.

Type	Part Number	Cartridge	Filter	Q.ty/ Box	Box/ Carton
70452/0015PP	001.0031.001	Paper filtering element	15 µ	50	50
70452/006PG	001.0031.003	Pleated stainless steel filtering element	60 µ	50	50
70452/006PL	001.0031.004	Smooth stainless steel filtering element	60 µ	50	50
70452/01PG	001.0031.005	Pleated stainless steel filtering element	100 µ	50	50
70452/01PL	001.0031.006	Smooth stainless steel filtering element	100 µ	50	50

Other packs available to order- Dimensions on page 86


70451A

Strainer filter for diesel, fuel oil and air with aluminium cover and bowl. Maximum temperature: 90°C. PN 2. NBR gaskets. 3/8" threaded connections.

Type	Part Number	Cartridge	Filter	Q.ty/ Box	Box/ Carton
70451/0015AP	001.0032.001	Paper filtering element	15 µ	50	50
70451/006AG	001.0032.003	Pleated stainless steel filtering element	60 µ	50	50
70451/006AL	001.0032.004	Smooth stainless steel filtering element	60 µ	50	50
70451/01AG	001.0032.005	Pleated stainless steel filtering element	100 µ	50	50
70451/01AL	001.0032.006	Smooth stainless steel filtering element	100 µ	50	50

Other packs available to order - Dimensions on page 86



70451P

Strainer filter for diesel, fuel oil and air with aluminium cover and transparent plastic bowl. Maximum temperature: 50°C. PN 2. NBR gaskets. 3/8" threaded connections.



Type	Part Number	Cartridge	Filter	Q.ty/Box	Box/Carton
70451/0015PP	001.0033.001	Paper filtering element	15 µ	50	50
70451/006PG	001.0033.003	Pleated stainless steel filtering element	60 µ	50	50
70451/006PL	001.0033.004	Smooth stainless steel filtering element	60 µ	50	50
70451/01PG	001.0033.005	Pleated stainless steel filtering element	100 µ	50	50
70451/01PL	001.0033.006	Smooth stainless steel filtering element	100 µ	50	50

Other packs available to order - Dimensions on page 86

ACCESSORIES

Type	Part Number	Description	Note	Q.ty/Box	Box/Carton
-	-	Extra charge for vent stopper	-	1	1
70410	014.0050.000	Bracket and screws	Filter type 70450	1	1

SERIES 70300

70303A

Strainer filter for diesel, fuel oil and air with aluminium cover and bowl. Maximum temperature: 90°C. PN 2. NBR gaskets. 1/4" threaded connections.



Type	Part Number	Cartridge	Filter	Q.ty/Box	Box/Carton
70303/0015AP	001.0050.001	Paper filtering element	15 µ	20	20
70303/006A	001.0050.003	Pleated stainless steel filtering element	60 µ	20	20
70303/01A	001.0050.004	Pleated stainless steel filtering element	100 µ	20	20

Other packs available to order - Dimensions on page 86

70303P

Strainer filter for diesel, fuel oil and air with aluminium cover and transparent plastic bowl. Maximum temperature: 50°C. PN 2. NBR gaskets. 1/4" threaded connections.



Type	Part Number	Cartridge	Filter	Q.ty/Box	Box/Carton
70303/0015PP	001.0051.001	Paper filtering element	15 µ	20	20
70303/006P	001.0051.003	Pleated stainless steel filtering element	60 µ	20	20
70303/01P	001.0051.004	Pleated stainless steel filtering element	100 µ	20	20

Other packs available to order - Dimensions on page 86

70301A

Strainer filter for diesel, fuel oil and air with aluminium cover and bowl. Maximum temperature: 90°C. PN 2. NBR gaskets. 3/8" threaded connections.



Type	Part Number	Cartridge	Filter	Q.ty/Box	Box/Carton
70301/0015AP	001.0052.001	Paper filtering element	15 μ	20	20
70301/006A	001.0052.003	Pleated stainless steel filtering element	60 μ	20	20
70301/01A	001.0052.004	Pleated stainless steel filtering element	100 μ	20	20

Other packs available to order - Dimensions on page 86

70301P

Strainer filter for diesel, fuel oil and air with aluminium cover and transparent plastic bowl. Maximum temperature: 50°C. PN 2. NBR gaskets. 3/8" threaded connections.



Type	Part Number	Cartridge	Filter	Q.ty/Box	Box/Carton
70301/0015PP	001.0053.001	Paper filtering element	15 μ	20	20
70301/006P	001.0053.003	Pleated stainless steel filtering element	60 μ	20	20
70301/01P	001.0053.004	Pleated stainless steel filtering element	100 μ	20	20

Other packs available to order - Dimensions on page 86

70302A

Strainer filter for diesel, fuel oil and air with aluminium cover and bowl. Maximum temperature: 90°C. PN 2. NBR gaskets. 1/2" threaded connections.



Type	Part Number	Cartridge	Filter	Q.ty/Box	Box/Carton
70302/0015AP	001.0054.001	Paper filtering element	15 μ	20	20
70302/006A	001.0054.003	Pleated stainless steel filtering element	60 μ	20	20
70302/01A	001.0054.004	Pleated stainless steel filtering element	100 μ	20	20

Other packs available to order - Dimensions on page 86

70302P

Strainer filter for diesel, fuel oil and air with aluminium cover and transparent plastic bowl. Maximum temperature: 50°C. PN 2. NBR gaskets. 1/2" threaded connections.



Type	Part Number	Cartridge	Filter	Q.ty/Box	Box/Carton
70302/0015PP	001.0055.001	Paper filtering element	15 μ	20	20
70302/006P	001.0055.003	Pleated stainless steel filtering element	60 μ	20	20
70302/01P	001.0055.004	Pleated stainless steel filtering element	100 μ	20	20

Other packs available to order - Dimensions on page 86

ACCESSORIES

Type	Part Number	Description	Note	Q.ty/ Box	Box/ Carton
70358	014.0051.000	Bracket and screws	Filter type 70370/RE	1	1

SERIES 70310

70313A

Strainer filter for diesel, fuel oil and air with aluminium cover and bowl.
Maximum temperature: 90°C. PN 2. NBR gaskets. 1/4" threaded connections.

Type	Part Number	Cartridge	Filter	Q.ty/ Box	Box/ Carton
70313/0015AP	001.0070.001	Paper filtering element	15 µ	10	10
70313/006A	001.0070.003	Pleated stainless steel filtering element	60 µ	10	10
70313/01A	001.0070.004	Pleated stainless steel filtering element	100 µ	10	10
70313/03A	001.0070.005	Galvanized steel filtering element	300 µ	10	10

Dimensions on page 87



70313P

Strainer filter for diesel, fuel oil and air with aluminium cover and transparent plastic bowl.
Maximum temperature: 50°C. PN 2. NBR gaskets. 1/4" threaded connections.

Type	Part Number	Cartridge	Filter	Q.ty/ Box	Box/ Carton
70313/0015PP	001.0071.001	Paper filtering element	15 µ	10	10
70313/006P	001.0071.003	Pleated stainless steel filtering element	60 µ	10	10
70313/01P	001.0071.004	Pleated stainless steel filtering element	100 µ	10	10
70313/03P	001.0071.005	Galvanized steel filtering element	300 µ	10	10

Dimensions on page 87



70311A

Strainer filter for diesel, fuel oil and air with aluminium cover and bowl.
Maximum temperature: 90°C. PN 2. NBR gaskets. 3/8" threaded connections.

Type	Part Number	Cartridge	Filter	Q.ty/ Box	Box/ Carton
70311/0015AP	001.0072.001	Paper filtering element	15 µ	10	10
70311/006A	001.0072.003	Pleated stainless steel filtering element	60 µ	10	10
70311/01A	001.0072.004	Pleated stainless steel filtering element	100 µ	10	10
70311/03A	001.0072.005	Galvanized steel filtering element	300 µ	10	10

Dimensions on page 87



70311P

Strainer filter for diesel, fuel oil and air with aluminium cover and transparent plastic bowl.
Maximum temperature: 50°C. PN 2. NBR gaskets. 3/8" threaded connections.

Type	Part Number	Cartridge	Filter	Q.ty/ Box	Box/ Carton
70311/0015PP	001.0073.001	Paper filtering element	15 µ	10	10
70311/006P	001.0073.003	Pleated stainless steel filtering element	60 µ	10	10
70311/01P	001.0073.004	Pleated stainless steel filtering element	100 µ	10	10
70311/03P	001.0073.005	Galvanized steel filtering element	300 µ	10	10

Dimensions on page 87


70312A

Strainer filter for diesel, fuel oil and air with aluminium cover and bowl.
Maximum temperature: 90°C. PN 2. NBR gaskets. 1/2" threaded connections.

Type	Part Number	Cartridge	Filter	Q.ty/ Box	Box/ Carton
70312/0015AP	001.0074.001	Paper filtering element	15 µ	10	10
70312/006A	001.0074.003	Pleated stainless steel filtering element	60 µ	10	10
70312/01A	001.0074.004	Pleated stainless steel filtering element	100 µ	10	10
70312/03A	001.0074.005	Galvanized steel filtering element	300 µ	10	10

Dimensions on page 87


70312P

Strainer filter for diesel, fuel oil and air with aluminium cover and transparent plastic bowl.
Maximum temperature: 50°C. PN 2. NBR gaskets. 1/2" threaded connections.

Type	Part Number	Cartridge	Filter	Q.ty/ Box	Box/ Carton
70312/0015PP	001.0075.001	Paper filtering element	15 µ	10	10
70312/006P	001.0075.003	Pleated stainless steel filtering element	60 µ	10	10
70312/01P	001.0075.004	Pleated stainless steel filtering element	100 µ	10	10
70312/03P	001.0075.005	Galvanized steel filtering element	300 µ	10	10

Dimensions on page 87


ACCESSORIES

Type	Part Number	Description	Note	Q.ty/ Box	Box/ Carton
70358	014.0051.000	Bracket and screws	Filter type 70300	1	1

SERIES 70100

70107

Strainer filter for diesel, fuel oil and air with aluminium cover and bowl. Maximum temperature: 90°C. PN 2. NBR gaskets. 1/2" threaded connections.

Type	Part Number	Cartridge	Filter	Q.ty/ Box	Box/ Carton
70107/006	001.0110.002	Pleated stainless steel filtering element	60 µ	6	6
70107/01	001.0110.003	Pleated stainless steel filtering element	100 µ	6	6
70107/03	001.0110.004	Galvanized steel filtering element	300 µ	6	6

Dimensions on page 87



70104

Strainer filter for diesel, fuel oil and air with aluminium cover and bowl. Maximum temperature: 90°C. PN 2. NBR gaskets. 3/4" threaded connections.

Type	Part Number	Cartridge	Filter	Q.ty/ Box	Box/ Carton
70104/006	001.0112.002	Pleated stainless steel filtering element	60 µ	6	6
70104/01	001.0112.003	Pleated stainless steel filtering element	100 µ	6	6
70104/03	001.0112.004	Galvanized steel filtering element	300 µ	6	6

Dimensions on page 87



70101

Strainer filter for diesel, fuel oil and air with aluminium cover and bowl. Maximum temperature: 90°C. PN 2. NBR gaskets. 1" threaded connections.

Type	Part Number	Cartridge	Filter	Q.ty/ Box	Box/ Carton
70101/006	001.0111.002	Pleated stainless steel filtering element	60 µ	6	6
70101/01	001.0111.003	Pleated stainless steel filtering element	100 µ	6	6
70101/03	001.0111.004	Galvanized steel filtering element	300 µ	6	6

Dimensions on page 87



SERIES 70500

70501

Strainer filter for diesel, fuel oil and air with aluminium cover and bowl. Maximum temperature: 90°C. PN 4. NBR gaskets. 1" threaded connections.

Type	Part Number	Cartridge	Filter	Q.ty/ Box	Box/ Carton
70501/006	001.0140.002	Pleated stainless steel filtering element	60 µ	1	1
70501/01	001.0140.003	Pleated stainless steel filtering element	100 µ	1	1
70501/03	001.0140.004	Galvanized steel filtering element	300 µ	1	1

Dimensions on page 88



70502

Strainer filter for diesel, fuel oil and air with aluminium cover and bowl. Maximum temperature: 90°C. PN 4. NBR gaskets. 1.1/4" connections.

Type	Part Number	Cartridge	Filter	Q.ty/ Box	Box/ Carton
70502/006	001.0141.002	Pleated stainless steel filtering element	60 μ	1	1
70502/01	001.0141.003	Pleated stainless steel filtering element	100 μ	1	1
70502/03	001.0141.004	Galvanized steel filtering element	300 μ	1	1

Dimensions on page 88


70503

Strainer filter for diesel, fuel oil and air with aluminium cover and bowl. Maximum temperature: 90°C. PN 4. NBR gaskets. 1.1/2" connections.

Type	Part Number	Cartridge	Filter	Q.ty/ Box	Box/ Carton
70503/006	001.0142.002	Pleated stainless steel filtering element	60 μ	1	1
70503/01	001.0142.003	Pleated stainless steel filtering element	100 μ	1	1
70503/03	001.0142.004	Galvanized steel filtering element	300 μ	1	1

Dimensions on page 88


70504

Strainer filter for diesel, fuel oil and air with aluminium cover and bowl. Maximum temperature: 90°C. PN 4. NBR gaskets. 2" connections.

Type	Part Number	Cartridge	Filter	Q.ty/ Box	Box/ Carton
70504/006	001.0143.002	Pleated stainless steel filtering element	60 μ	1	1
70504/01	001.0143.003	Pleated stainless steel filtering element	100 μ	1	1
70504/03	001.0143.004	Galvanized steel filtering element	300 μ	1	1

Dimensions on page 88


ACCESSORIES

Type	Part Number	Description	Note	Q.ty/ Box	Box/ Carton
-	-	Extra charge for hole with stopper for electrical heater	-	1	1
70516	014.0053.000	Wall bracket	Filter type 70500	1	1
1543	014.0052.000	Bracket and screws	Filter type 70100	1	1

SERIES 70700

70700

Strainer filter for diesel, fuel oil and air with aluminium cover and bowl. Maximum temperature: 90°C. PN 4. NBR gaskets. 2" threaded connections.



Type	Part Number	Cartridge	Filter	Q.ty/Box	Box/ Carton
70700/006	001.0160.002	Pleated stainless steel filtering element	60 μ	1	1
70700/01	001.0160.003	Pleated stainless steel filtering element	100 μ	1	1
70700/03	001.0160.004	Galvanized steel filtering element	300 μ	1	1

Dimensions on page 88

70700F

Strainer filter for diesel, fuel oil and air with aluminium cover and bowl. Maximum temperature: 90°C. PN 4. NBR gaskets. DN50" flanged connections.



Type	Part Number	Cartridge	Filter	Q.ty/Box	Box/ Carton
70700/006F	001.0161.002	Pleated stainless steel filtering element	60 μ	1	1
70700/01F	001.0161.003	Pleated stainless steel filtering element	100 μ	1	1
70700/03F	001.0161.004	Galvanized steel filtering element	300 μ	1	1

Dimensions on page 88

ACCESSORIES

Type	Part Number	Description	Note	Q.ty/Box	Box/ Carton
1809	014.0017.000	Magnetic column	-	1	1
1604	014.0025.000	Electronic heater W (tipo NL), set 70° C	-	1	1
1603	014.0024.000	Electronic heater W (tipo GL), set 35° C	-	1	1
586	014.0054.000	Wall bracket	Filter type 70700	1	1

MAGNETIC FILTERS

70157M

Magnetic strainer filter for diesel, fuel oil and air with aluminium cover and bowl. Maximum temperature: 90°C. PN 2. NBR gaskets. 1/2" connections.



Type	Part Number	Cartridge	Filter	Q.ty/Box	Box/ Carton
70700/006F	001.0161.002	Pleated stainless steel filtering element	60 μ	1	1
70700/01F	001.0161.003	Pleated stainless steel filtering element	100 μ	1	1
70700/03F	001.0161.004	Galvanized steel filtering element	300 μ	1	1

Dimensions on page 87

70151M

Magnetic strainer filter for diesel, fuel oil and air with aluminium cover and bowl. Maximum temperature: 90°C. PN 2. NBR gaskets. 1" connections.

Type	Part Number	Cartridge	Filter	Q.ty/ Box	Box/ Carton
70151/006M	001.0201.001	Pleated stainless steel filtering element	60 µ		
70151/01M	001.0201.002	Pleated stainless steel filtering element	100 µ		

Dimensions on page 87

ACCESSORIES

Type	Part Number	Description	Note	Q.ty/ Box	Box/ Carton
1543	014.0052.000	Bracket and screws	Filter type 70100	1	1

70501M

Magnetic strainer filter for diesel, fuel oil and air with aluminium cover and bowl. Maximum temperature: 90°C. PN 4. NBR gaskets. 1" connections.

Type	Part Number	Cartridge	Filter	Q.ty/ Box	Box/ Carton
70501/006M	001.0210.001	Pleated stainless steel filtering element	60 µ	1	1
70501/01M	001.0210.002	Pleated stainless steel filtering element	100 µ	1	1
70501/03M	001.0210.003	Galvanized steel filtering element	300 µ	1	1

Dimensions on page 88

70502M

Magnetic strainer filter for diesel, fuel oil and air with aluminium cover and bowl. Maximum temperature: 90°C. PN 4. NBR gaskets. 1.1/4" connections.

Type	Part Number	Cartridge	Filter	Q.ty/ Box	Box/ Carton
70502/006M	001.0211.001	Pleated stainless steel filtering element	60 µ	1	1
70502/01M	001.0211.002	Pleated stainless steel filtering element	100 µ	1	1
70502/03M	001.0211.003	Galvanized steel filtering element	300 µ	1	1

Dimensions on page 88

70503M

Magnetic strainer filter for diesel, fuel oil and air with aluminium cover and bowl. Maximum temperature: 90°C. PN 4. NBR gaskets. 1.1/2" connections.

Type	Part Number	Cartridge	Filter	Q.ty/ Box	Box/ Carton
70503/006M	001.0212.001	Pleated stainless steel filtering element	60 µ	1	1
70503/01M	001.0212.002	Pleated stainless steel filtering element	100 µ	1	1
70503/03M	001.0212.003	Galvanized steel filtering element	300 µ	1	1

Dimensions on page 88



ACCESSORIES

Type	Part Number	Description	Note	Q.ty/Box	Box/ Carton
70516	014.0053.000	Wall bracket	Filter type 70500	1	1

FILTERS WITH ELECTRONIC HEATER

70371RE

Strainer filter with electronic heater for diesel, fuel oil and air with aluminium cover and bowl. Maximum temperature: 90°C. PN 2. NBR gaskets. 3/8" connections.

Type	Part Number	Electronic heater	Filter	Q.ty/Box	Box/ Carton
70371/01RE	001.0170.001	Electronic heater 100 W	100 µ	5	5

Dimensions on page 88



70372RE

Strainer filter with electronic heater for diesel, fuel oil and air with aluminium cover and bowl. Maximum temperature: 90°C. PN 2. NBR gaskets. 1/2" connections.

Type	Part Number	Electronic heater	Filter	Q.ty/Box	Box/ Carton
70372/01RE	001.0171.001	Electronic heater 100 W	100 µ	5	5

Dimensions on page 88



ACCESSORIES

Type	Part Number	Description	Note	Q.ty/Box	Box/ Carton
70358	014.0051.000	Bracket and screws	Filter type 70370/RE	1	1

70157GL/NL

Strainer filter with electronic heater for diesel, fuel oil and air with aluminium cover and bowl. Maximum temperature: 90°C. PN 2. NBR gaskets. 1/2" connections.

Type	Part Number	Electronic heater	Filter	Q.ty/Box	Box/ Carton
70157/006GL	001.0180.001	Electronic heater 35°C	60 µ	1	1
70157/006NL	001.0180.002	Electronic heater 70°C	60 µ	1	1
70157/01GL	001.0180.003	Electronic heater 35°C	100 µ	1	1
70157/01NL	001.0180.004	Electronic heater 70°C	100 µ	1	1
70157/03GL	001.0180.005	Electronic heater 35°C	300 µ	1	1
70157/03NL	001.0180.006	Electronic heater 70°C	300 µ	1	1

Dimensions on page 87



70151GL/NL

Strainer filter with electronic heater for diesel, fuel oil and air with aluminium cover and bowl. Maximum temperature: 90°C. PN 2. NBR gaskets. 1" connections.

Type	Part Number	Electronic heater	Filter	Q.ty/ Box	Box/ Carton
70151/006GL	001.0181.001	Electronic heater 35°C	60 µ	1	1
70151/006NL	001.0181.002	Electronic heater 70°C	60 µ	1	1
70151/01GL	001.0181.003	Electronic heater 35°C	100 µ	1	1
70151/01NL	001.0181.004	Electronic heater 70°C	100 µ	1	1
70151/03GL	001.0181.005	Electronic heater 35°C	300 µ	1	1
70151/03NL	001.0181.006	Electronic heater 70°C	300 µ	1	1

Dimensions on page 87


PARTS AND ACCESSORIES

Type	Part Number	Description	Note	Q.ty/ Box	Box/ Carton
1543	014.0052.000	Bracket and screws	Filter type 70150	1	1
1616	014.0026.000	Electronic heater 100 W	-	1	1
1603	014.0024.000	Electronic heater GL 300W set 35°C IP65	-	1	1
1604	014.0025.000	Electronic heater NL 300W set 70°C IP65	-	1	1

70501GL/NL

Strainer filter with electronic heater for diesel, fuel oil and air with aluminium cover and bowl. Maximum temperature: 90°C. PN 4. NBR gaskets. 1" connections.

Type	Part Number	Electronic heater	Filter	Q.ty/ Box	Box/ Carton
70151/006GL	001.0181.001	Electronic heater 35°C	60 µ	1	1
70151/006NL	001.0181.002	Electronic heater 70°C	60 µ	1	1
70151/01GL	001.0181.003	Electronic heater 35°C	100 µ	1	1
70151/01NL	001.0181.004	Electronic heater 70°C	100 µ	1	1
70151/03GL	001.0181.005	Electronic heater 35°C	300 µ	1	1
70151/03NL	001.0181.006	Electronic heater 70°C	300 µ	1	1

Dimensions on page 88



70502GL/NL

Strainer filter with electronic heater for diesel, fuel oil and air with aluminium cover and bowl. Maximum temperature: 90°C. PN 4. NBR gaskets. 1.1/4" connections.



Type	Part Number	Electronic heater	Filter	Q.ty/Box	Box/ Carton
70502/006GL	001.0191.001	Electronic heater 35°C	60 µ	1	1
70502/006NL	001.0191.002	Electronic heater 70°C	60 µ	1	1
70502/01GL	001.0191.003	Electronic heater 35°C	100 µ	1	1
70502/01NL	001.0191.004	Electronic heater 70°C	100 µ	1	1
70502/03GL	001.0191.005	Electronic heater 35°C	300 µ	1	1
70502/03NL	001.0191.006	Electronic heater 70°C	300 µ	1	1

Dimensions on page 88

70503GL/NL

Strainer filter with electronic heater for diesel, fuel oil and air with aluminium cover and bowl. Maximum temperature: 90°C. PN 4. NBR gaskets. 1.1/2" connections.



Type	Part Number	Electronic heater	Filter	Q.ty/Box	Box/ Carton
70503/006GL	001.0192.001	Electronic heater 35°C	60 µ	1	1
70503/006NL	001.0192.002	Electronic heater 70°C	60 µ	1	1
70503/01GL	001.0192.003	Electronic heater 35°C	100 µ	1	1
70503/01NL	001.0192.004	Electronic heater 70°C	100 µ	1	1
70503/03GL	001.0192.005	Electronic heater 35°C	300 µ	1	1
70503/03NL	001.0192.006	Electronic heater 70°C	300 µ	1	1

Dimensions on page 88

PARTS AND ACCESSORIES

Type	Part Number	Description	Note	Q.ty/Box	Box/ Carton
70516	014.0053.000	Wall bracketper 70500	Filter type 70500	1	1
1603	014.0024.000	Electronic heater GL 300W set 35°C IP65	-	1	1
1604	014.0025.000	Electronic heater NL 300W set70°C IP65	-	1	1

MAGNETIC FILTERS WITH ELECTRONIC HEATER
70501GLM/NLM

Magnetic strainer filter with electronic heater for diesel, fuel oil and air with aluminium cover and bowl. Maximum temperature: 90°C. PN 4. NBR gaskets. 1" connections.

Type	Part Number	Electronic heater	Filter	Q.ty/ Box	Box/ Carton
70501/006GLM	001.0220.001	Electronic heater 35°C	60 μ	1	1
70501/006NLM	001.0220.002	Electronic heater 70°C	60 μ	1	1
70501/01GLM	001.0220.003	Electronic heater 35°C	100 μ	1	1
70501/01NLM	001.0220.004	Electronic heater 70°C	100 μ	1	1
70501/03GLM	001.0220.005	Electronic heater 35°C	300 μ	1	1
70501/03NLM	001.0220.006	Electronic heater 70°C	300 μ	1	1

Dimensions on page 88


70502GLM/NLM

Strainer filter with electronic heater for diesel, fuel oil and air with aluminium cover and bowl. Maximum temperature: 90°C. PN 4. NBR gaskets. 1.1/4" connections.

Type	Part Number	Electronic heater	Filter	Q.ty/ Box	Box/ Carton
70502/006GLM	001.0221.001	Electronic heater 35°C	60 μ	1	1
70502/006NLM	001.0221.002	Electronic heater 70°C	60 μ	1	1
70502/01GLM	001.0221.003	Electronic heater 35°C	100 μ	1	1
70502/01NLM	001.0221.004	Electronic heater 70°C	100 μ	1	1
70502/03GLM	001.0221.005	Electronic heater 35°C	300 μ	1	1
70502/03NLM	001.0221.006	Electronic heater 70°C	300 μ	1	1

Dimensions on page 88


70503GLM/NLM

Strainer filter with electronic heater for diesel, fuel oil and air with aluminium cover and bowl. Maximum temperature: 90°C. PN 4. NBR gaskets. 1.1/2" connections.

Type	Part Number	Electronic heater	Filter	Q.ty/ Box	Box/ Carton
70503/006GLM	001.0222.001	Electronic heater 35°C	60 μ	1	1
70503/006NLM	001.0222.002	Electronic heater 70°C	60 μ	1	1
70503/01GLM	001.0222.003	Electronic heater 35°C	100 μ	1	1
70503/01NLM	001.0222.004	Electronic heater 70°C	100 μ	1	1
70503/03GLM	001.0222.005	Electronic heater 35°C	300 μ	1	1
70503/03NLM	001.0222.006	Electronic heater 70°C	300 μ	1	1

Dimensions on page 88



PARTS AND ACCESSORIES

Type	Part Number	Description	Note	Q.ty/ Box	Box/ Carton
70516	014.0053.000	Wall bracketper 70500	Filter type 70500	1	1
1603	014.0024.000	Electronic heater GL 300W set 35°C IP65	-	1	1
1604	014.0025.000	Electronic heater NL 300W set70°C IP65	-	1	1

SPECIAL FILTER

70370

Water separator filter for diesel, fuel oil and air with aluminium cover and transparent bowl. Maximum temperature: 50°C. PN 2. NBR gaskets. 3/8" connections.

Type	Part Number	Cartridge	Filter	Q.ty/ Box	Box/ Carton
70370/006	001.0080.002	Stainless steel filter element	60 µ	10	10
70370/01	001.0080.003	Stainless steel filter element	100 µ	10	10

Dimensions on page 88



ACCESSORIES

Type	Part Number	Description	Note	Q.ty/ Box	Box/ Carton
70358	014.0051.000	Bracket and screws	Filter type 70370	1	1

70351A

Two-way strainer filter for diesel, fuel oil and air with aluminium cover and bowl. Screw valve on suction and check valve on return. Maximum temperature: 50°C. PN 2. NBR gaskets. 3/8" connections.

Type	Part Number	Cartridge	Filter	Q.ty/ Box	Box/ Carton
70351/0015AP	001.0060.001	Paper filtering element	15 µ	10	10
70351/006A	001.0060.003	Pleated stainless steel filtering element	60 µ	10	10
70351/01A	001.0060.004	Pleated stainless steel filtering element	100 µ	10	10

Dimensions on page 89



70351P

Two-way strainer filter for diesel, fuel oil and air with aluminium cover and transparent bowl. Screw valve on suction and check valve on return.

Maximum temperature: 50°C. PN 2. NBR gaskets. 3/8" connections.

Type	Part Number	Cartridge	Filter	Q.ty/ Box	Box/ Carton
70351/0015PP	001.0061.001	Paper filtering element	15 µ	10	10
70351/006P	001.0061.003	Pleated stainless steel filtering element	60 µ	10	10
70351/01P	001.0061.004	Pleated stainless steel filtering element	100 µ	10	10

Dimensions on page 89


RG2

Two-way strainer filter for diesel, with large filtration area, bowl fastened with ring-nut. Screw valve on suction and check valve on return, complete with fixing bracket. CW617N brass body and ring-nut. Transparent plastic bowl. 3/8" F connections with bushes for Ø 6x8, 8x10 and 10x12 mm pipes.

Type	Part Number	Cartridge	Filter	Q.ty/ Box	Box/ Carton
RG2	0130100	-	260 µ	1	32

Dimensions on page 89


RV2

Two-way strainer filter for diesel with screw valve on suction and check valve on return, complete with fixing bracket. CW617N brass body and ring-nut. Transparent plastic bowl. 3/8" F connections with bushes for Ø 6x8, 8x10 and 10x12 mm pipes. Burner side connections: 3/8" F.

Type	Part Number	Cartridge	Filter	Q.ty/ Box	Box/ Carton
RV2	0133100	-	200 µ	1	50

Dimensions on page 89


RV1

One-way strainer filter for diesel, with screw valve and fixing bracket. CW617N brass body. Transparent plastic bowl. Burner side 3/8" F connections, with bushes for Ø 6x8, 8x10 and 10x12 mm pipes. Tank side 3/8" F connection. Filtering capacity 200 microns.

Type	Part Number	Cartridge	Filter	Q.ty/ Box	Box/ Carton
RV1	0135100	-	200 µ	1	50

Dimensions on page 89


V1

One-way strainer filter for diesel, like RV1 but without shut-off valve.

Type	Part Number	Cartridge	Filter	Q.ty/ Box	Box/ Carton
V1	0138100	-	200 µ	1	50



RZ

Recirculation filter for diesel that makes it possible to eliminate the return pipe to the tank, with screw valve on suction and by-pass valve on return. Complete with fixing bracket. CW617N brass body. Transparent plastic bowl. 2 burner side 3/8" F connections, with bushes for Ø 4x6, 6x8, 8x10 and 10x12 mm pipes. Tank side 3/8" F connection.



Type	Part Number	Cartridge	Filter	Q.ty/Box	Box/ Carton
RZ	0137100	-	200 µ	1	40

Dimensions on page 89

ACCESSORIES

Type	Part Number	Description	Note	Q.ty/Box	Box/ Carton
70358	014.0051.000	Bracket and screws	Filter type 70370	1	1

70450

Special strainer filter for biodiesel, petrodiesel, fuel oil and air with aluminium cover and bowl. Maximum temperature: 90°C. PN 2. Viton gaskets. Filtration 100 micron.



Type	Part Number	Cartridge	Connec-tion	Q.ty/Box	Box/ Carton
70452/01AGE	001.0030.007	Pleated stainless steel filtering element. Vitron gaskets	1/4"	10	10
70451/01AGE	001.0032.007	Pleated stainless steel filtering element. Vitron gaskets	3/8"	10	10

Dimensions on page 86

70310

Special strainer filter for biodiesel, petrodiesel, fuel oil and air with aluminium cover and bowl. Maximum temperature: 90°C. PN 2. Viton gaskets. Filtration 100 micron.



Type	Part Number	Cartridge	Connec-tion	Q.ty/Box	Box/ Carton
70311/01AE	001.0072.006	Pleated stainless steel filtering element. Vitron gaskets	3/8"	10	10
70312/01AE	001.0074.006	Pleated stainless steel filtering element. Vitron gaskets	1/2"	10	10

Dimensions on page 86

70100

Special strainer filter for biodiesel, petrodiesel, fuel oil and air with aluminium cover and bowl. Maximum temperature: 90°C. PN 2. Viton gaskets. Filtration 100 microns.



Type	Part Number	Cartridge	Connec-tion	Q.ty/Box	Box/ Carton
70107/01E	001.0110.005	Pleated stainless steel filtering element. Vitron gaskets	1/2"	6	6
70104/01E	001.0112.005	Pleated stainless steel filtering element. Vitron gaskets	3/4"	6	6
70101/01E	001.0111.005	Pleated stainless steel filtering element. Vitron gaskets	1"	6	6

Dimensions on page 87

70500

Special strainer filter for biodiesel, petrodiesel, fuel oil and air with aluminium cover and bowl. Maximum temperature: 90°C. PN 2. Viton gaskets. Filtration 100 microns.



Type	Part Number	Cartridge	Con- nection	Q.ty/ Box	Box/ Carton
70501/01E	001.0140.005	Pleated stainless steel filtering element. Vitron gaskets	1"	1	1
70502/01E	001.0141.005	Pleated stainless steel filtering element. Vitron gaskets	1.1/4"	1	1
70503/01E	001.0142.005	Pleated stainless steel filtering element. Vitron gaskets	1.1/2"	1	1

Dimensions on page 88

ACCESSORIES

Type	Part Number	Description	Note	Q.ty/ Box	Box/ Carton
70410	014.0050.000	Bracket and screws	Filter type 70450	1	1
70358	014.0051.000	Bracket and screws	Filter type 70310	1	1
1543	014.0052.000	Bracket and screws	Filter type 70100	1	1

PARTS FOR STRAINER FILTERS
60450

Pleated cartridges for filters 70451 - 70452 - AL, AG, PL, PG, AGE, AP, PP. Pleated cartridge only for filter 70370.



Type	Part Number	Description	Filter	Q.ty/ Box	Box/ Carton
60450/0015P	014.0390.000	Paper filtering element	15 μ	1	1
60450/006G	014.4031.002	Pleated stainless steel filtering element	60 μ	1	1
60450/006L	014.4032.001	Smooth stainless steel filtering element	60 μ	1	1
60450/01G	014.4031.003	Pleated stainless steel filtering element	100 μ	1	1
60450/01L	014.4032.002	Smooth stainless steel filtering element	100 μ	1	1

60300

Pleated cartridges for filters 70301- 70302- 70303- 70351- A, AP, P, PP. For filters 70371RE and 70372RE.



Type	Part Number	Description	Filter	Q.ty/ Box	Box/ Carton
60300/0015P	014.4050.001	Paper filtering element	15 μ	1	1
60300/006	014.4051.002	Pleated stainless steel filtering element	60 μ	1	1
60300/01	014.4051.003	Pleated stainless steel filtering element	100 μ	1	1
60300/01RE	014.4051.004	Pleated stainless steel filtering element for Mod. 70370/RE	300 μ	1	1

60200

Pleated cartridges for filters 70311 - 70312- 70313- 70207- A, AP, P, PP.

Type	Part Number	Description	Filter	Q.ty/ Box	Box/ Carton
60200/0015P	014.4070.001	Paper filtering element	15 μ	1	1
60200/006	014.4071.002	Pleated stainless steel filtering element	60 μ	1	1
60200/01	014.4071.003	Pleated stainless steel filtering element	100 μ	1	1
60200/03	014.4071.004	Galvanized steel filtering element	300 μ	1	1



60100

Pleated cartridges for filters 70101 - 70104 - 70107.

Type	Part Number	Description	Filter	Q.ty/ Box	Box/ Carton
60100/006	014.4110.002	Pleated stainless steel filtering element	60 μ	1	1
60100/01	014.4110.003	Pleated stainless steel filtering element	100 μ	1	1
60100/03	014.4110.004	Galvanized steel filtering element	300 μ	1	1



60150

Pleated cartridges for filters 70151 - 70157 - GL, NL, M.

Type	Part Number	Description	Filter	Q.ty/ Box	Box/ Carton
60150/006	014.4180.002	Pleated stainless steel filtering element	60 μ	1	1
60150/01	014.4180.003	Pleated stainless steel filtering element	100 μ	1	1
60150/03	014.4180.004	Galvanized steel filtering element	300 μ	1	1



60500

Pleated cartridges for filters 70501 - 70502 - 70503 - GL, NL, M, GLM, NLM.

Type	Part Number	Description	Filter	Q.ty/ Box	Box/ Carton
60500/006	014.4140.002	Pleated stainless steel filtering element	60 μ	1	1
60500/01	014.4140.003	Pleated stainless steel filtering element	100 μ	1	1
60500/03	014.4140.004	Galvanized steel filtering element	300 μ	1	1



60504

Pleated cartridges for filters 70504.

Type	Part Number	Description	Filter	Q.ty/ Box	Box/ Carton
60504/006	014.4141.002	Pleated stainless steel filtering element	60 μ	1	1
60504/01	014.4141.003	Pleated stainless steel filtering element	100 μ	1	1
60504/03	014.4141.004	Galvanized steel filtering element	300 μ	1	1


60700

Pleated cartridges for filters 70700.

Type	Part Number	Description	Filter	Q.ty/ Box	Box/ Carton
60700/006	014.4160.002	Pleated stainless steel filtering element	60 μ	1	1
60700/01	014.4160.003	Pleated stainless steel filtering element	100 μ	1	1
60700/03	014.4160.005	Galvanized steel filtering element	300 μ	1	1


SS

Replacement cartridge for filters RG2, RV2-RV1-RZ-V1.

Type	Part Number	Description	Filter	Q.ty/ Box	Box/ Carton
SS	0199010	Smooth filter element for RG2	260 μ	1	10
SS	0199016	Smooth filter element for RV2-RV1-RZ-V1	200 μ	1	10



GASKET KIT

Type	Part Number	Filter	Cartridge	Q.ty/Box	Box/ Carton
3198	014.0065.002	70450	Smooth and Paper NBR	1	1
3198V	014.0065.005	70450	Smooth VITON	1	1
3199	014.0065.003	70450	Pleated. NBR	1	1
3204	014.0066.001	70300	Paper pleated. NBR	1	1
3204V	014.0066.002	70300	Pleated. VITON	1	1
3203	014.0067.001	70310	Paper pleated. NBR	1	1
3202	014.0068.001	70351	Paper pleated. NBR	1	1
3205	014.0069.001	70200	Paper pleated. NBR	1	1
3205V	014.0069.002	70200	Pleated. VITON	1	1
3207	014.0070.001	70100	Pleated. NBR	1	1
3207V	014.0070.002	70100	Pleated. VITON	1	1
3206	014.0071.001	70150	Pleated. NBR	1	1
3201	014.0072.001	70370	Pleated. NBR	1	1
3200	014.0073.001	70370/RE	Pleated. NBR	1	1
3197	014.0074.001	70500	Pleated. NBR	1	1
3197V	014.0074.002	70500	Pleated. VITON	1	1
3196	014.0075.001	70700	Pleated. NBR	1	1
3196V	014.0075.002	70700	Pleated. VITON	1	1
OR	0199013	RG2	Smooth. NBR	10	10
OR	0199022	RV2-RV1-RZ-V1	Smooth. NBR	10	10

BOWL KIT

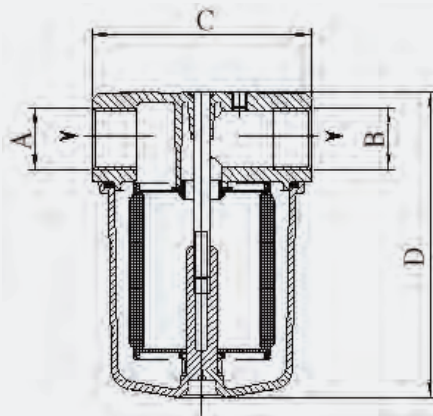
Type	Part Number	Filter	Note	Q.ty/Box	Box/Car- ton
506.0184.000	014.0350.000	70451	-	1	1
506.0186.000	014.0351.000	70452	-	1	1
C70301	014.0352.000	70301 - 70311	-	1	1
C70302	014.0353.000	70302 - 70312	-	1	1
C70303	014.0354.000	70303 - 70313	-	1	1
C70351	014.0355.000	70351	-	1	1
C70370	014.0356.000	70370	-	1	1
C70107	014.0358.000	70107	-	1	1
C70104	014.0364.000	70104	-	1	1
C70101	014.0359.000	70101	-	1	1
C70501	014.0360.000	70501	-	1	1
C70502	014.0361.000	70502	-	1	1
C70503	014.0362.000	70503	-	1	1
C70512	014.0363.000	70504	-	1	1

COVER KIT

Type	Part Number	Filter	Note	Q.ty/Box	Box/Car- ton
506.0184.000	014.0350.000	70451	-	1	1
506.0186.000	014.0351.000	70452	-	1	1
C70301	014.0352.000	70301 - 70311	-	1	1
C70302	014.0353.000	70302 - 70312	-	1	1
C70303	014.0354.000	70303 - 70313	-	1	1
C70351	014.0355.000	70351	-	1	1
C70370	014.0356.000	70370	-	1	1
C70107	014.0358.000	70107	-	1	1
C70104	014.0364.000	70104	-	1	1
C70101	014.0359.000	70101	-	1	1
C70501	014.0360.000	70501	-	1	1
C70502	014.0361.000	70502	-	1	1
C70503	014.0362.000	70503	-	1	1
C70512	014.0363.000	70504	-	1	1

OVERALL DIMENSIONS

70450A - 70450P



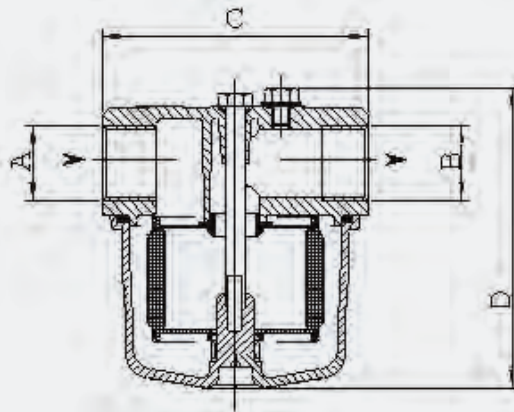
Note:
measurement "D" in the table is divided
for versions with aluminium bowl (Al.) and
versions with transparent bowl (Pl.).

Item	Dimensions						Filtration rating	Filtration area cm ²		
	A	B	C	D	D	E		P	G	L
				Al.	Pl.					
70451 *	Rp 3/8"	Rp 3/8"	61	75	75	-	15 ***			
70452 *	Rp 1/4"	Rp 1/4"	61	75	75	-	60 - 100	190	50	28

* These models are available with transparent bowl
** Standard filtration rating (other ratings available to order)
P - ***: paper filter

G: pleated steel cartridge
L: smooth steel cartridge

70300A - 70300P



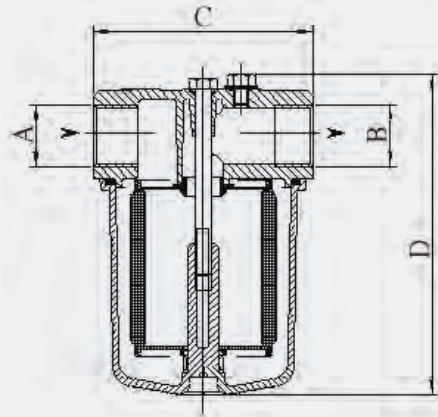
Note:
measurement "D" in the table is divided
for versions with aluminium bowl (Al.) and
versions with transparent bowl (Pl.).

Item	Dimensions						Filtration rating	Filtration area cm ²		
	A	B	C	D	D	E		P	G	L
				Al.	Pl.					
70301 *	Rp 3/8"	Rp 3/8"	81	85	89	-	15 *** 60 - 100	360	85	-
70302 *	Rp 1/2"	Rp 1/2"	81	85	89	-				
70303 *	Rp 1/4"	Rp 1/4"	81	85	89	-				

* These models are available with transparent bowl
** Standard filtration rating (other ratings available to order)
P - ***: paper filter
G: pleated steel cartridge

OVERALL DIMENSIONS

70310A - 70310P

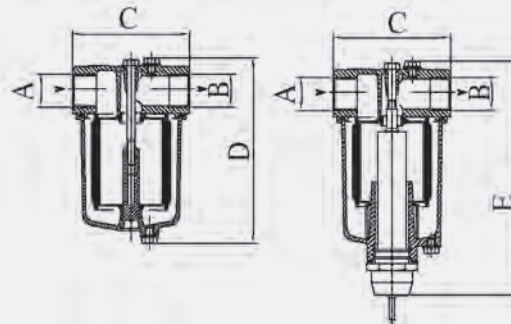


Note:
measurement "D" in the table is divided
for versions with aluminium bowl (Al.)
and versions with transparent bowl (Pl.).

Item	Dimensions						Filtration rating	Filtration area cm ²		
	A	B	C	D Al.	D Pl.	E		P	G	L
70311 *	Rp 3/8"	Rp 3/8"	81	117	140	-	15 *** 60 - 100 - 300	750	185	-
70312 *	Rp 1/2"	Rp 1/2"	81	117	140	-				
70313 *	Rp 1/4"	Rp 1/4"	81	117	140	-				

* These models are available with transparent bowl
** Standard filtration rating (other ratings available to order)
P - ***: paper filter
G: pleated steel cartridge

70100 - 70150

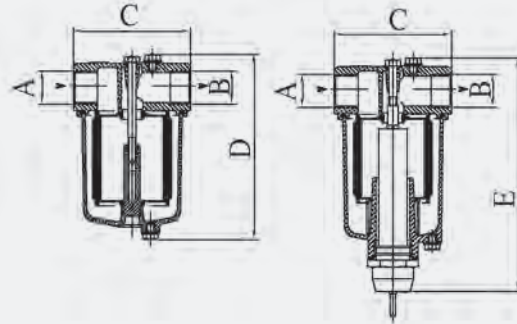


Item	Dimensions						Filtration rating	Filtration area cm ²		
	A	B	C	D Al.	D Pl.	E		P	G	L
70101	Rp 1"	Rp 1"	120	175	N/A	-	60 100 - 300	-	330	-
70104	Rp 3/4"	Rp 3/4"	120	175	N/A	-				
70107	Rp 1/2"	Rp 1/2"	120	175	N/A	-				
70151 NL/GL	Rp 1"	Rp 1"	120	-	N/A	235				
70154 NL/GL	Rp 3/4"	Rp 3/4"	120	-	N/A	235				
70157 NL/GL	Rp 1/2"	Rp 1/2"	120	-	N/A	235				
70151 M	Rp 1"	Rp 1"	120	-	N/A	205				
70154 M	Rp 3/4"	Rp 3/4"	120	-	N/A	205				
70157 M	Rp 1/2"	Rp 1/2"	120	-	N/A	205				

** Standard filtration rating (other ratings available to order)
P - ***: paper filter
G: pleated steel cartridge

OVERALL DIMENSIONS

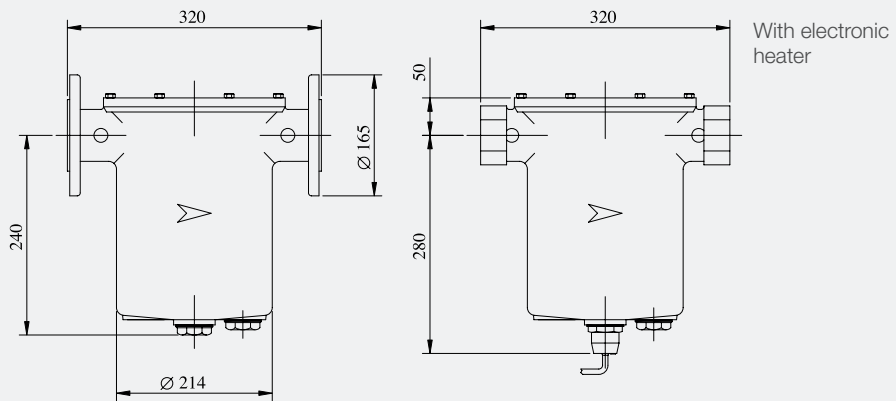
70500



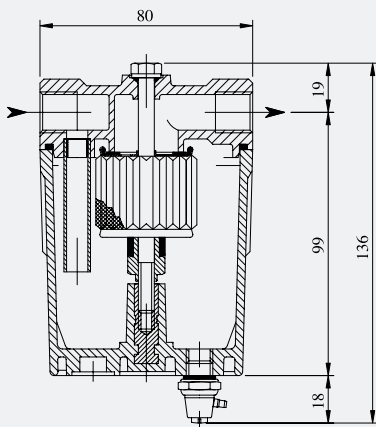
Item	Dimensions						Filtration rating	Filtration area cm ²		
	A	B	C	D Al.	D Pl.	E		P	G	L
70501	Rp 1"	Rp 1"	190	255	N/A	-	60 100 - 300	-	820	-
70502	Rp 1.1/4"	Rp 1.1/4"	190	255	N/A	-				
70503	Rp 1.1/2"	Rp 1.1/2"	190	255	N/A	-				
70504	Rp 2"	Rp 2"	182	275	N/A	-				
70501 NL/GL/M/NLM/GLM	Rp 1"	Rp 1"	190	-	N/A	300				
70502 NL/GL/M/NLM/GLM	Rp 1.1/4"	Rp 1.1/4"	190	-	N/A	300				
70503 NL/GL/M/NLM/GLM	Rp 1.1/2"	Rp 1.1/2"	190	-	N/A	300				
70504 NL/GL/M/NLM/GLM	Rp 2"	Rp 2"	182	-	N/A	220				

** Standard filtration rating (other ratings available to order).
G: pleated steel cartridge.

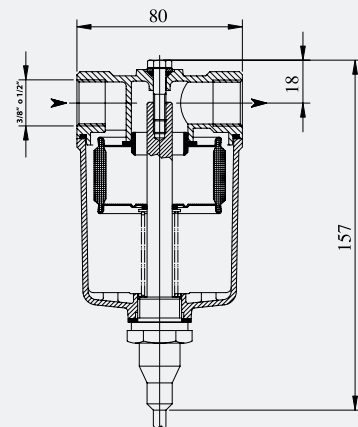
70700F



70370

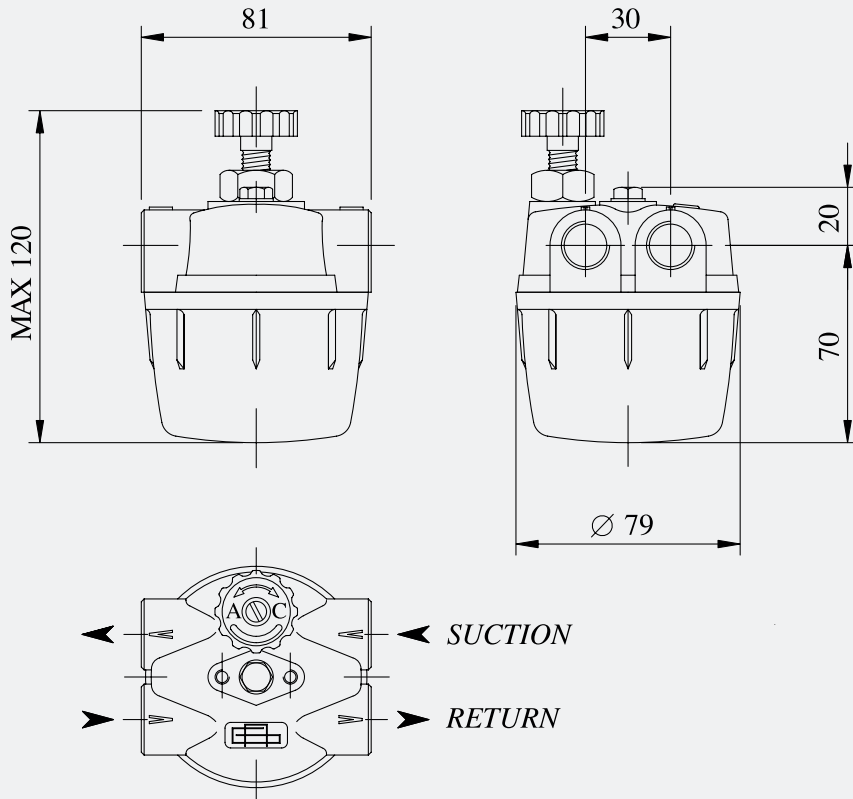


70370RE

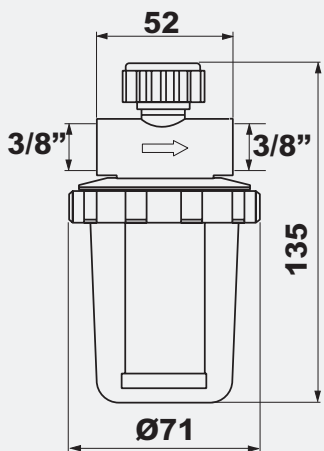


OVERALL DIMENSIONS

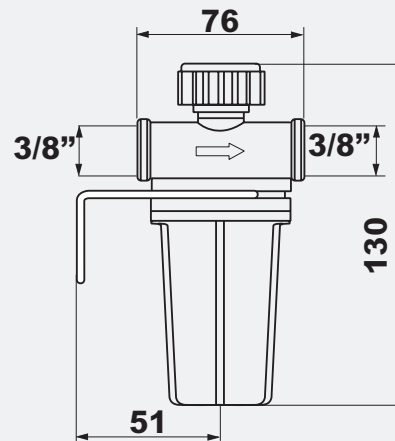
70350



RG2



RV2/RV1/RZ



SELF-CLEANING FILTERS

21003

Self-cleaning filter for diesel and fuel oil with aluminium cover and bowl. PN 4. 1"x1"x1/2" threaded connections.

Type	Part Number	Filter	Q.ty/Box	Box/Carton
21003/01	003.0040.001	100 µ	1	1
21003/03	003.0040.002	300 µ	1	1
21003/06	003.0040.003	600 µ	1	1

Dimensions on page 98



21005

Self-cleaning filter for diesel and fuel oil with aluminium cover and bowl. PN 4. 1/2"x1/2" threaded connections.

Type	Part Number	Filter	Q.ty/Box	Box/Carton
21005/01	003.0042.001	100 µ	1	1
21005/03	003.0042.002	300 µ	1	1
21005/06	003.0042.003	600 µ	1	1

Dimensions on page 98



21008

Self-cleaning filter for diesel and fuel oil with aluminium cover and bowl. PN 4. 1"x1" threaded connections.

Type	Part Number	Filter	Q.ty/Box	Box/Carton
21008/01	003.0043.001	100 µ	1	1
21008/03	003.0043.002	300 µ	1	1
21008/06	003.0043.003	600 µ	1	1

Dimensions on page 98



31003

Self-cleaning filter for diesel and fuel oil with aluminium cover and bowl. PN 4. 1"x1"x1/2" threaded connections.

Type	Part Number	Filter	Q.ty/Box	Box/Carton
31003/01	003.0050.001	100 µ	1	1
31003/03	003.0050.002	300 µ	1	1
31003/06	003.0050.003	600 µ	1	1

Dimensions on page 98



31008

Self-cleaning filter for diesel and fuel oil with aluminium cover and bowl. PN 4. 1"x1" threaded connections.

Type	Part Number	Filter	Q.ty/Box	Box/Carton
31008/01	003.0051.001	100 µ	1	1
31008/03	003.0051.002	300 µ	1	1
31008/06	003.0051.003	600 µ	1	1

Dimensions on page 98



PARTS AND ACCESSORIES

Type	Part Number	Description	Q.ty/Box	Box/ Carton
1328	015.0040.001	Electric motor 230V 50-60 Hz for type 21000 - 31000	1	1
1328/L	015.0040.002	Electric motor + torque limiter per Mod. 21000 - 31000	1	1
1616	014.0026.000	Electronic heater 100W	1	1
3240	014.0130.001	Shaft seal kit for 11012, 21000, 31000, 41000	1	1
1494	014.0030.000	Electric motor 1328, 1328L, 1329, 1329L	1	1
1339	014.0128.000	Torque limiter for type 1328, 1328L, 1329, 1329L	1	1
1345	014.0031.000	Bracket for torque limiter for type 1328L e 1329L	1	1

41000

Self-cleaning filter for diesel and fuel oil with aluminium cover and bowl. PN 4. 1.1/2"x1.1/2" threaded connections.

Type	Part Number	Filter	Q.ty/Box	Box/ Carton
41000/01	003.0060.001	100 µ	1	1
41000/03	003.0060.002	300 µ	1	1
41000/06	003.0060.003	600 µ	1	1

Dimensions on page 98


PARTS AND ACCESSORIES

Type	Part Number	Description	Q.ty/Box	Box/ Carton
1809	014.0017.000	Magnetic column	1	1
1603	014.0024.000	Electronic heater GL 300W 35°C IP65	1	1
1604	014.0025.000	Electronic heater NL 300W 70°C IP65	1	1
1329	015.0050.001	Electric motor 230V 50-60 Hz for type 41000	1	1
1329/L	015.0050.002	Electric motor + torque limiter for type 41000	1	1

51000

Self-cleaning filter for diesel and fuel oil with aluminium cover and bowl. PN 4. 2"x2" threaded connections.

Type	Part Number	Filter	Q.ty/Box	Box/ Carton
51000/025	003.0070.001	250 µ	1	1
51000/05	003.0070.002	500 µ	1	1
51000/075	003.0070.003	750 µ	1	1

Dimensions on page 98


51000F

Self-cleaning filter for diesel and fuel oil with aluminium cover and bowl. PN 4. DN50 flanged connections.

Type	Part Number	Filter	Q.ty/Box	Box/ Carton
51000/025F	003.0071.001	250 µ	1	1
51000/05F	003.0071.002	500 µ	1	1
51000/075F	003.0071.003	750 µ	1	1

Dimensions on page 98



PARTS AND ACCESSORIES

Type	Part Number	Description	Q.ty/Box	Box/ Carton
1670	014.0018.000	Magnetic column	1	1
1603	014.0024.000	Electronic heater GL 300W 35°C IP65	1	1
1604	014.0025.000	Electronic heater NL 300W 70°C IP65	1	1
1324	015.0060.001	Electric motor single phase 230V 50-60 Hz for type 51000	1	1
1325	015.0060.002	Electric motor Three phase 230/380V 50-60 Hz for type 51000	1	1
586	014.0054.000	Wall bracket	1	1
3240	014.0130.001	Shaft seal kit for 21000, 31000, 41000	1	1
1494	014.0030.000	Electric motor 1328, 1328L, 1329, 1329L	1	1
1339	014.0128.000	Torque limiter for type 1328, 1328L, 1329, 1329L	1	1
1345	014.0031.000	Bracket for torque limiter for type 1328L e 1329L	1	1

HIGH-PRESSURE SELF-CLEANING FILTERS

45000

High-pressure self-cleaning filter for diesel and fuel oil with aluminium cover and bowl. PN 15. 1.1/2"x1.1/2" threaded connections.

Type	Part Number	Filter	Q.ty/Box	Box/ Carton
45000/01	003.0090.001	100 µ	1	1
45000/03	003.0090.002	300 µ	1	1
45000/06	003.0090.003	600 µ	1	1

Dimensions on page 99



PARTS AND ACCESSORIES

Type	Part Number	Description	Q.ty/Box	Box/ Carton
3370	015.0080.001	Electric motor single phase 230V 50-60 Hz for type 45000	1	1
3371	015.0080.002	Electric motor Three phase 230/380V 50-60 Hz for type 45000	1	1
F3361	014.0005.000	Counter flange for type 45000	1	1

21005FE

High-pressure self-cleaning filter for diesel and fuel oil with aluminium cover and bowl. PN 30. 1/2"x1/2" threaded connections.

Type	Part Number	Filter	Q.ty/Box	Box/ Carton
2100501FE	003.0045.101	100 µ	1	1
2100503FE	003.0045.102	300 µ	1	1
2100506FE	003.0045.103	600 µ	1	1

Dimensions on page 99



21008FE

High-pressure self-cleaning filter for diesel and fuel oil with steel cover and bowl. PN 30. 1"x1" threaded connections.

Type	Part Number	Filter	Q.ty/Box	Box/Carton
2100801FE	003.0047.001	100 μ	1	1
2100803FE	003.0047.002	300 μ	1	1
2100806FE	003.0047.003	600 μ	1	1

Dimensions on page 99

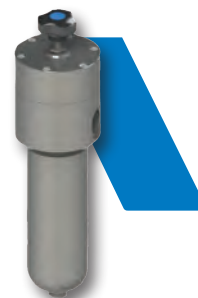


31008FE

High-pressure self-cleaning filter for diesel and fuel oil with steel cover and bowl. PN 30. 1"x1" threaded connections.

Type	Part Number	Filter	Q.ty/Box	Box/Carton
3100801FE	003.0052.101	100 μ	1	1
3100803FE	003.0052.102	300 μ	1	1
3100806FE	003.0052.103	600 μ	1	1

Dimensions on page 99



HEATED SELF-CLEANING FILTERS

21005/RE

Heated self-cleaning filter for diesel and fuel oil with aluminium cover and bowl. PN 4. 1/2"x 1/2" threaded connections.

Type	Part Number	Filter	Q.ty/Box	Box/Carton
21005/01RE	003.0042.004	100 μ	1	1
21005/03RE	003.0042.005	300 μ	1	1
21005/06RE	003.0042.006	600 μ	1	1

Dimensions on page 98



31003/RE

Heated self-cleaning filter for diesel and fuel oil with aluminium cover and bowl. PN 4. 1"x1"x 1/2" threaded connections.

Type	Part Number	Filter	Q.ty/Box	Box/Carton
31003/01RE	003.0050.004	100 μ	1	1
31003/03RE	003.0050.005	300 μ	1	1
31003/06RE	003.0050.006	600 μ	1	1

Dimensions on page 98



31008/RE

Heated self-cleaning filter for diesel and fuel oil with aluminium cover and bowl. PN 4. 1"x1" threaded connections.

Type	Part Number	Filter	Q.ty/Box	Box/Carton
31008/01RE	003.0051.004	100 μ	1	1
31008/03RE	003.0051.005	300 μ	1	1
31008/06RE	003.0051.006	600 μ	1	1

Dimensions on page 98



PARTS AND ACCESSORIES

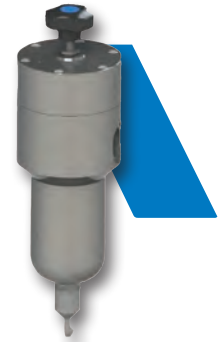
Type	Part Number	Description	Q.ty/Box	Box/ Carton
1328	015.0040.001	Electric motor 230 V. 50-60 Hz. for type 21000 - 31000	1	1
1328/L	015.0040.002	Electric motor + torque limiter for type 21000 - 31000	1	1
1010	014.0020.000	Electronic heater 100W	1	1

21005FERE

Heated high-pressure self-cleaning filter for diesel and fuel oil with aluminium cover and bowl. PN 30. 1/2"x1/2" threaded connections.

Type	Part Number	Filter	Q.ty/Box	Box/ Carton
2100501FERE	003.0045.104	100 µ	1	1
2100503FERE	003.0045.105	300 µ	1	1
2100506FERE	003.0045.106	600 µ	1	1

Dimensions on page 99

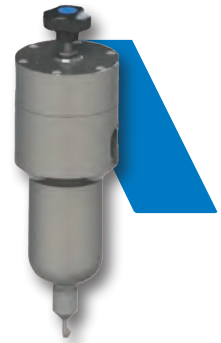


21008FERE

Heated high-pressure self-cleaning filter for diesel and fuel oil with aluminium cover and bowl. PN 30. 1"x1" threaded connections.

Type	Part Number	Filter	Q.ty/Box	Box/ Carton
2100801FERE	003.0047.004	100 µ	1	1
2100803FERE	003.0047.005	300 µ	1	1
2100806FERE	003.0047.006	600 µ	1	1

Dimensions on page 99

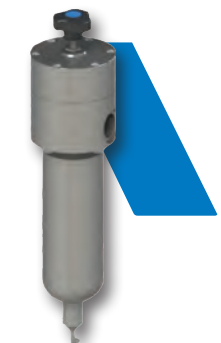


31008FERE

Heated high-pressure self-cleaning filter for diesel and fuel oil with aluminium cover and bowl. PN 30. 1"x1" threaded connections.

Type	Part Number	Filter	Q.ty/Box	Box/ Carton
3100801FERE	003.0052.104	100 µ	1	1
3100803FERE	003.0052.105	300 µ	1	1
3100806FERE	003.0052.106	600 µ	1	1

Dimensions on page 99



41000NL

Heated self-cleaning filter for diesel and fuel oil with aluminium cover and bowl. PN 4. 1.1/2"x1.1/2" threaded connections.

Type	Part Number	Filter	Q.ty/Box	Box/ Carton
41000/01NL	003.0060.015	100 µ	1	1
41000/03NL	003.0060.008	300 µ	1	1
41000/06NL	003.0060.016	600 µ	1	1

Dimensions on page 98



PARTS AND ACCESSORIES

Type	Part Number	Description	Q.ty/Box	Box/ Carton
1809	014.0017.000	Magnetic column	1	1
1603	014.0024.000	Electronic heater GL 300W 35°C IP65	1	1
1604	014.0025.000	Electronic heater NL 300W 70°C IP65	1	1
1329	015.0050.001	Electric motor 230V 50-60 Hz for type 41000	1	1
1329/L	015.0050.002	Electric motor + torque limiter for type 41000	1	1
3240	014.0130.001	Shaft seal kit for 21000, 31000, 41000	1	1
1494	014.0030.000	Electric motor 1328, 1328L, 1329, 1329L	1	1
1339	014.0128.000	Torque limiter for type 1328, 1328L, 1329, 1329L	1	1
1345	014.0031.000	Bracket for torque limiter for type 1328L e 1329L	1	1

51000NL

Heated self-cleaning filter for diesel and fuel oil with aluminium cover and bowl. PN 4. 2"x2" threaded connections.

Type	Part Number	Filter	Q.ty/Box	Box/Carton
51000/025NL	003.0070.022	250 µ	1	1
51000/05NL	003.0070.023	500 µ	1	1
51000/075NL	003.0070.024	750 µ	1	1

Dimensions on page 98


51000FNL

Heated self-cleaning filter for diesel and fuel oil with aluminium cover and bowl. PN 4. DN50 flanged connections.

Type	Part Number	Filter	Q.ty/Box	Box/Carton
51000/025FNL	003.0071.027	250 µ	1	1
51000/05FNL	003.0071.028	500 µ	1	1
51000/075FNL	003.0071.029	750 µ	1	1

Dimensions on page 98


PARTS AND ACCESSORIES

Type	Part Number	Description	Q.ty/Box	Box/ Carton
1670	014.0018.000	Magnetic column	1	1
1603	014.0024.000	Electronic heater GL 300W 35°C IP65	1	1
1604	014.0025.000	Electronic heater NL 300W 70°C IP65	1	1
1324	015.0060.001	Electric motor single phase 230V 50-60 Hz for type 51000	1	1
1325	015.0060.002	Electric motor Three phase 230/380V 50-60 Hz for type 51000	1	1
586	014.0054.000	Wall bracket	1	1

WASTE OIL FILTER

FOEX

Filter for waste oil, comprising magnetic strainer filter with rating of 300 microns and heated self-cleaning filter with rating of 100 microns. PN 4.

Type	Part Number	Description	Q.ty/Box	Box/Carton
FOEX25	003.0080.001	70501/03M + 31008/01RE connections 1"	1	1
FOEX40	003.0081.001	70503/03M + 41000/01NL connections 1.1/2"	1	1
FOEX50F	003.0083.001	70700/03FM + 51000/025NL connections DN50	1	1

Dimensions on page 99



PARTS AND ACCESSORIES

Type	Part Number	Description	Q.ty/Box	Box/Carton
1328	015.0040.001	Electric motor 230V 50-60 Hz for type 31000	1	1
1328/L	015.0040.002	Electric motor 230V 50-60 Hz + torque limiter for type 31000	1	1
1329	015.0050.001	Electric motor single phase 230V 50-60 Hz for type 41000	1	1
1329/L	015.0050.002	Electric motor + torque limiter for type 41000	1	1
1324	015.0060.001	Electric motor single phase 230V 50-60 Hz for type 51000	1	1
1325	015.0060.002	Electric motor Three phase 230/380V 50-60 Hz Mod. 51000	1	1

PARTS FOR STRAINER FILTERS

U11012

Part for self-cleaning filter, comprising cover and filter element.

Type	Part Number	Type - Filter	Q.ty/Box	Box/Carton
U11012/01	004.0030.001	11012 / 21005RE - 100µ	1	1
U11012/03	004.0030.002	11012 / 21005RE - 300µ	1	1
U11012/06	004.0030.003	11012 / 21005RE - 600µ	1	1



U21002

Part for self-cleaning filter, comprising cover and filter element.

Type	Part Number	Type - Filter	Q.ty/Box	Box/Carton
U21002/01	004.0041.001	21005 - 100 µ	1	1
U21002/03	004.0041.002	21005 - 300 µ	1	1
U21002/06	004.0041.003	21005 - 600 µ	1	1



U21008

Part for self-cleaning filter, comprising cover and filter element.

Type	Part Number	Type - Filter	Q.ty/ Box	Box/ Carton
U21008/01	004.0040.001	21003/21008/31003RE/31008RE - 100 μ	1	1
U21008/03	004.0040.002	21003/21008/31003RE/31008RE - 300 μ	1	1
U21008/06	004.0040.003	21003/21008/31003RE/31008RE - 600 μ	1	1


U31000

Part for self-cleaning filter, comprising cover and filter element.

Type	Part Number	Type - Filter	Q.ty/Box	Box/Carton
U31000/01	004.0050.001	31003 / 31008 - 100 μ	1	1
U31000/03	004.0050.002	31003 / 31008 - 300 μ	1	1
U31000/06	004.0050.003	31003 / 31008 - 600 μ	1	1


U41000

Part for self-cleaning filter, comprising cover and filter element.

Type	Part Number	Type - Filter	Q.ty/ Box	Box/ Carton
U41000/01	004.0060.001	41000/41000RB/41000NL - 100 μ	1	1
U41000/03	004.0060.002	41000/41000RB/41000NL - 300 μ	1	1
U41000/06	004.0060.003	41000/41000RB/41000NL - 600 μ	1	1


U45000

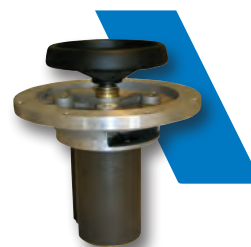
Part for self-cleaning filter, comprising cover and filter element.

Type	Part Number	Type - Filter	Q.ty/Box	Box/Carton
U45000/01	004.0080.001	45000 - 100 μ	1	1
U45000/03	004.0080.002	45000 - 300 μ	1	1
U45000/06	004.0080.003	45000 - 600 μ	1	1


U51000

Part for self-cleaning filter, comprising cover and filter element.

Type	Part Number	Type - Filter	Q.ty/ Box	Box/ Carton
U51000/025	004.0070.001	51000/51000RB/51000NL/51000F/ 51000FRB/51000FNL - 250 μ	1	1
U51000/05	004.0070.002	51000/51000RB/51000NL/51000F/ 51000FRB/51000FNL - 500 μ	1	1
U51000/75	004.0070.003	51000/51000RB/51000NL/51000F/ 51000FRB/51000FNL - 750 μ	1	1



GASKET KIT

Type	Part Number	Type - Material	Q.ty/ Box	Box/ Carton
21018	014.0001.000	11012/21000/31000 - CENTELLEN	1	1
OR231	014.0002.001	41000 - NBR	1	1
OR8775	014.0076.000	51000 - NBR	1	1
OR4350V	014.0004.000	45000 - VITON	1	1

OVERALL DIMENSIONS

21000 - 31000

CONNECTIONS
 A - inlet
 B - return
 C - outlet

With electric motor.

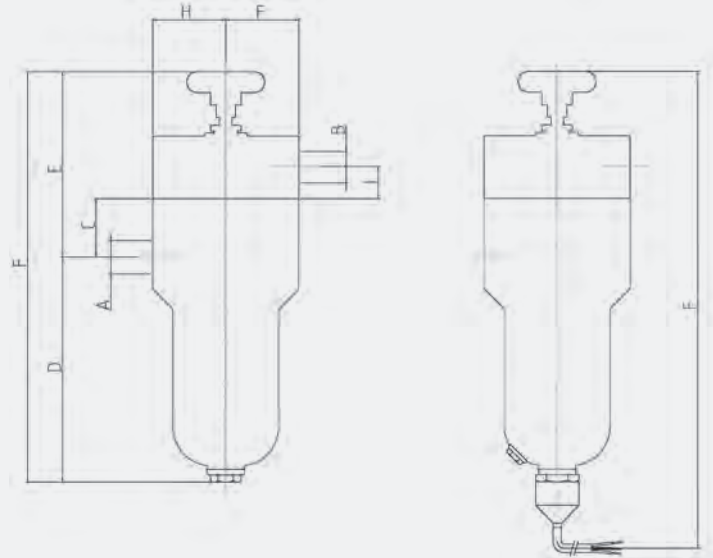
Type	A	B	C	D	E	F	G	H	I	L	M	N	O
21003	Rp 1"	Rp 1/2"	Rp 1"										
21005	Rp 1/2"	-	Rp 1/2"	28	185	92	277	46	55	60	24	85	255
21008	Rp 1"	-	Rp 1"										
31003	Rp 1"	Rp 1/2"	Rp 1"	28	273	92	365	46	55	60	24	85	255
31008	Rp 1"	-	Rp 1"										

41000

51000

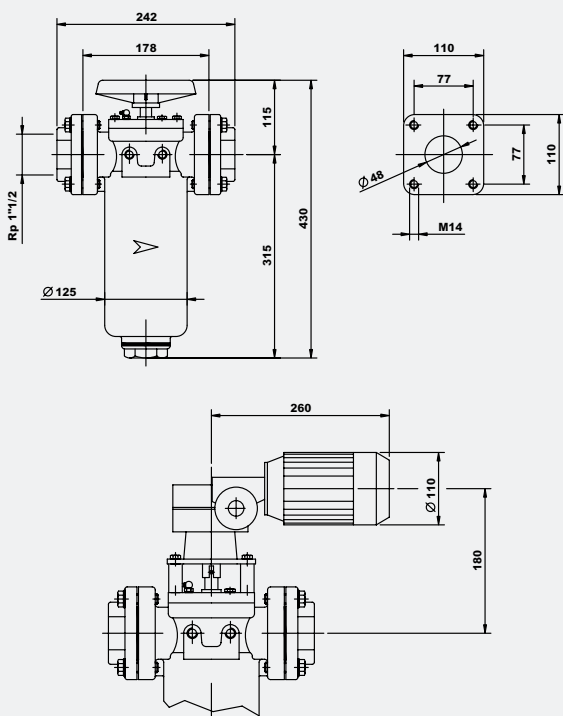
OVERALL DIMENSIONS

21000FE - 31000FE

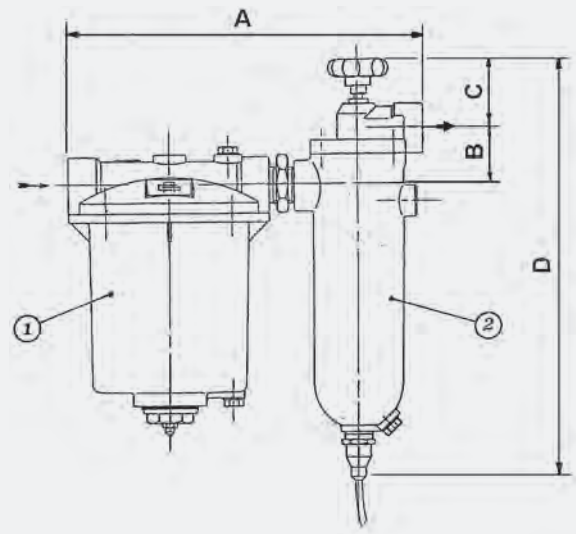


Type	A	B	C	D	E	F	G	H	I
21005FE	Rp 1/2"	Rp 1/2"	35	206	87	293	53	65	17
21008FE	Rp 1"	Rp 1"	35	206	87	293	53	74	17
31008FE	Rp 1"	Rp 1"	42	290	92	381	53	74	23
21005FERE	Rp 1/2"	Rp 1/2"	35	266	87	353	53	74	17
21008FERE	Rp 1"	Rp 1"	35	266	87	353	53	74	17
31008FERE	Rp 1"	Rp 1"	42	350	92	441	53	74	23

45000



FOEX



Type	A	B	C	D
FOEX25	340	52	68	395
FOEX40	506	-	-	353
FOEX50F	642	-	-	378

SYSTEM COMPONENTS

GS1FF

Normally closed (NC) automatic solenoid valve for automatic diesel shut-off in burner fuel lines. For diesel and fuel oil applications with threaded filters. Quick opening and closing. Brass body.

Type	Part Number	Connection - Power	Q.ty/Box	Box/Carton
GS1FF	005.0070.001	1/8" - voltage 230 Vac	1	1



M10M15

Normally closed (NC) solenoid valve for automatic diesel shut-off in burner fuel lines. For diesel and fuel oil applications with threaded filters. Brass body. Protection rating: IP65. Ambient temperature: -5÷60°C. PN 4.

Type	Part Number	Connection - Power	Q.ty/Box	Box/Carton
M10M15	0150210	3/8" - voltage 230 Vac	1	25
M10M15	0150215	1/2" - voltage 230 Vac	1	25

Dimensions on page 102



SVG

Normally closed automatic solenoid valve for diesel and fuel oil with threaded connections. Quick opening and closing. Aluminium body. Protection rating IP65. Ambient temperature: -10÷60°C. PN.8.

Type	Part Number	Connection - Power	Q.ty/Box	Box/Carton
SV20	005.0140.001	3/4" - voltage 230 Vac	1	1
SV20	005.0140.002	3/4" - voltage 24 Vac/Vdc	1	1
SV20	005.0140.003	3/4" - voltage 12 Vdc	1	1
SV25	005.0141.001	1" - voltage 230 Vac	1	1
SV25	005.0141.002	1" - voltage 24 Vac/Vdc	1	1
SV25	005.0141.003	1" - voltage 12 Vdc	1	1
SV32	005.0142.001	1.1/4" - voltage 230 Vac	1	1
SV32	005.0142.002	1.1/4" - voltage 24 Vac/Vdc	1	1
SV32	005.0142.003	1.1/4" - voltage 12 Vdc	1	1
SV40	005.0143.001	1.1/2" - voltage 230 Vac	1	1
SV40	005.0143.002	1.1/2" - voltage 24 Vac/Vdc	1	1
SV40	005.0143.003	1.1/2" - voltage 12 Vdc	1	1
SV50	005.0144.001	2" - voltage 230 Vac	1	1
SV50	005.0144.002	2" - voltage 24 Vac/Vdc	1	1
SV50	005.0144.003	2" - voltage 12 Vdc	1	1

Dimensions on page 102



PRO/PROH

Pressure regulator for diesel and oil. Brass body. Maximum temperature: 250°C.



Type	Part Number	Connection - Setting - Flow	Q.ty/Box	Box/Carton
PRO10	505.0260.990	3/8" - Range 1-5 bar Capacity 600 l/h	1	1
PRO20	505.0261.990	3/4" - Range 1-5 bar Capacity 2.000 l/h	1	1
PRO25	505.0262.990	1" - Range 1-5 bar Capacity 6.000 l/h	1	1
PRO32	505.0263.990	1.1/4" - Range 1-5 bar Capacity 10.000 l/h	1	1
PROH10	505.0264.990	3/8" - Range 5-25 bar Capacity 1.000 l/h	1	1
PROH20	505.0265.990	3/4" - Range 5-25 bar Capacity 2.500 l/h	1	1

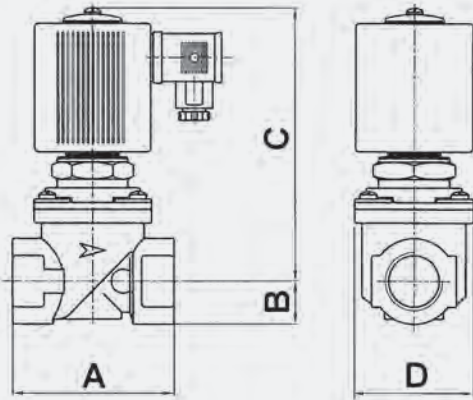
Dimensions on page 102

PARTS FOR DIESEL SOLENOID VALVES**PARTS AND ACCESSORIES**

Type	Part Number	Description	Q.ty/Box	Box/ Carton
922	014.0325.001	Coil 230V 50-60Hz for type GS1FF	1	1
511.0216.990	014.0304.001	Coil 230V 50-60Hz for type SV	1	1
511.0218.990	014.0313.001	Coil 24V ac/dc for type SV	1	1
511.0217.990	014.0322.001	Coil 12Vdc for type SV	1	1
2104	014.0277.001	Connector RAC 230V for type SV	1	1
226	014.0279.001	Connector RAC 24V ac/dc for type SV	1	1
2105	014.0275.001	Connector RAC 12Vdc for type SV	1	1

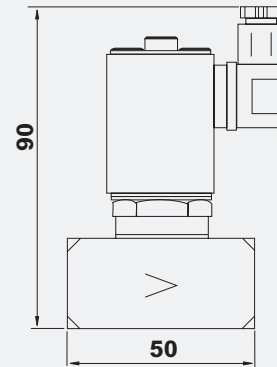
OVERALL DIMENSIONS

SVG

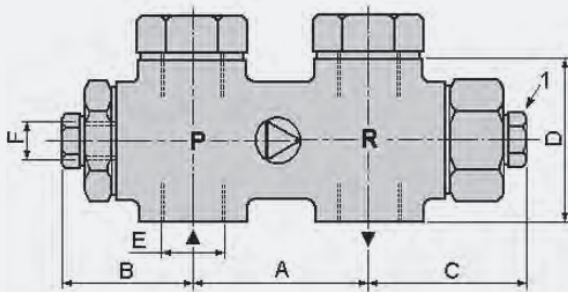


Type	Rp 3/4"	Rp 1"	Rp 1.1/4"	Rp 1.1/2"	Rp 2"
Mod.	SV20	SV25	SV32	SV40	SV50
A	96	96	154	154	173
B	25	25	31	31	39
C	160	160	188	188	191
D	70	70	105	105	127

M10 M15



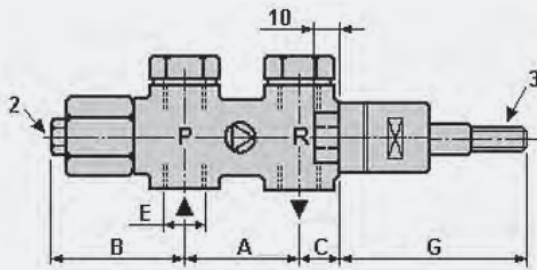
PRO - PROH



F: pressure gauge connection

Mod. PRO

To adjust the pressure, turn the screw under cap 1. Turn clockwise to increase the pressure and anticlockwise to reduce it.



Mod. PROH

To adjust the minimum, turn the screw under cap 2. Modulation: stroke 8 - 9 mm (3).

Type	Max. capacity	A	B	C	D	E	F	G
PRO10	600	55	46	55	52	G 3/8"	G 1/4"	-
PRO20	2000	63	50	60	73	G 3/4"	G 1/4"	-
PRO25	6000	80	48	58	86	G 1"	G 1/4"	-
PRO32	10000	80	48	58	86	G 1 1/4"	G 1/4"	-
PROH10	1000	55	71	16	52	G 3/8"	-	85
PROH20	2500	69	74	43	73	G 3/4"	-	85

LEVEL INDICATORS, PROBES AND ACCESSORIES
TLM - TELEVAR

Universal remote pneumatic level indicator. For tanks of any shape and height between 900 and 3000 mm (item 103) and between 3000 and 5000 mm (item 105). Standard dial in percentage volume for cylindrical tanks. Tank connection suitable for pipe with external diameter of 6mm. Case with 3 external mounting slots.

Type	Part Number	Description	Q.ty/Box	Box/Carton
TLM	0101103	Tank height max 3m	1	10
TLM	0101105	Tank height da 3 a 5m	1	10

Dimensions on page 108


PE50

Polythene hose for connecting TELEVAR remote indicator to G20 Series diesel probe. Hose Ø 4x6 mm. Roll length: 50 metres.

Type	Part Number	Description	Q.ty/Box	Box/Carton
PE50	0105150	Roll 50m	50	1


G20

Diesel probe. Fitted on tank for connection to TELEVAR remote indicator. 1" metal fitting with connection for 6 mm hose (external Ø). Perbunan pick-up tube with bottom spacer.

Type	Part Number	Connection - Length	Q.ty/Box	Box/Carton
G20	0104120	1" - 220cm	1	10
G20	0104130	1" - 320cm	1	5
G20	0104150	1" - 520cm	1	5


MECAV

Universal mechanical level indicator with vertical reading, complete with seal for tight tank connection. Set by means of external screw. High-impact plastic case and cover. Measuring range: 0-2000 mm.

Type	Part Number	Connection	Q.ty/Box	Box/Carton
MECAV	0103100	1.1/2"	1	20

Dimensions on page 108


MECAH

Universal mechanical level indicator with horizontal reading, complete with seal for tight tank connection. Set by means of external screw. High-impact plastic case and cover. Measuring range: 0-2000 mm.

Type	Part Number	Connection	Q.ty/Box	Box/Carton
MECAH	0103200	1.1/2"	1	20

Dimensions on page 108



RDA

Double angle fitting for tanks, complete with kit of fittings for connection to Ø 6x8, 8x10 and 10x12 mm pipes. CW617N brass body. 1”M tank connection. 3/8”F suction and return connection.

Type	Part Number	Connection	Q.ty/Box	Box/ Carton
RDA	0120120	1” M x 3/8” F	1	20



VRU

Check valve for diesel lines, complete with kit of fittings for connection to Ø 6x8, 8x10 and 10x12 mm pipes. CW617N brass body. Pressure drop at 50 l/h: 11 mbar. Pressure drop at 100 l/h: 18 mbar.

Type	Part Number	Connection	Q.ty/Box	Box/ Carton
VRU	0120140	3/8” F	1	50



VFU

Foot valve for diesel tanks, complete with kit of fittings for connection to Ø 6x8, 8x10 and 10x12 mm pipes. CW617N brass body. Plastic bottom spacer.

Type	Part Number	Connection	Q.ty/Box	Box/ Carton
VFU	0120160	3/8” F	1	50



PICK-UP ASSEMBLIES

MB - MULTIBLOC

Multi-function pick-up unit with counterweight for connection between fuel tank and burner. Combines 5 functions: burner suction and return, check valve, quick shut-off lever and connection for TELEVAR remote level indicator, complete with kit of fittings. CW617N brass body. Perbunan pick-up pipes. 1”M tank connection. 3/8”F suction and return connections. TELEVAR indicator, Ø 4x6 mm pipe.

Type	Part Number	Connection - Length	Q.ty/Box	Box/ Carton
MB	0108100	1” M x 3/8” F - 220cm	1	25
MB	0108500	1” M x 3/8” F - 320cm	1	10

Dimensions on page 108



MKF200

Multi-function pick-up unit, as per MB but with overlapping 3/8”M connections and metal bushes for Ø 8x10 mm pipe. The body is fitted with an additional 3/8”M connection for suction from a second bank-mounted tank. The return pipe from the burner is routed all the way to the bottom of the tank.

Type	Part Number	Connection - Length	Q.ty/Box	Box/ Carton
MKF200	0115110	1” - 200 cm	1	10

Dimensions on page 108



TECAL

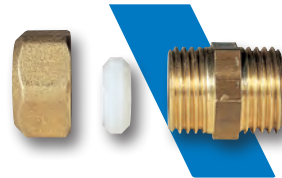
PVC-clad aluminium pipe. Mainly for use as a connection line between the fuel tank (diesel) and burner. The cladding serves to protect the pipe against chemicals and humidity from the outdoor environment. Leak tested at 30 bar (before cladding with PVC). PVC cladding (0.75 mm thick).

Type	Part Number	Connection - Length	Q.ty/Box	Box/Car-ton
TECAL	0701210	Ø Internal 8 - Ø external 10 - Roll 50m	50 m	
TECAL	0701212	Ø Internal 10 - Ø external 12 - Roll 50m	50 m	


FITTINGS
DM

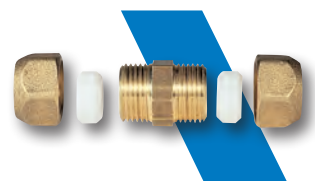
Straight male connector, double taper. Complete with cap and teflon ferrule. CW614N brass body and cap. Maximum pressure: 10 bar. Maximum temperature: 110°C.

Type	Part Number	Connection	Q.ty/Box	Box/Car-ton
DM	0702210	3/8" x 10	10	10
DM	0702212	3/8" x 12	10	10
DM	0702310	1/2" x 10	10	10
DM	0702312	1/2" x 12	10	10


DI

Straight bulkhead fitting, double taper-double taper. Complete with 2 caps and 2 teflon ferrules. Specifications as per DM series fitting.

Type	Part Number	Connection	Q.ty/Box	Box/Car-ton
DI	0703010	10 x 10	10	10
DI	0703012	12 x 12	10	10


DF

Straight female connector, double taper. Complete with cap and teflon ferrule. Specifications as per DM series fitting.

Type	Part Number	Connection	Q.ty/Box	Box/Car-ton
DF	0704210	3/8" x 10	10	10
DF	0704212	3/8" x 12	10	10
DF	0704310	1/2" x 10	10	10
DF	0704312	1/2" x 12	10	10



DIESEL SAFETY

SIC10 - SICUREX

Diaphragm valve for automatic diesel shut-off in burner fuel lines. Replaces solenoid valve M10 M15. Die-cast aluminium body. 3/8" F connections and bushes for Ø 6x8, 8x10 and 10x12mm mm pipes. Opening negative pressure: 50 mbar.

Type	Part Number	Connection	Q.ty/Box	Box/Carton
SIC10	0150110	3/8"	1	20

Dimensions on page 108



SW90N

Load limiting valve for diesel tanks. Die-cast aluminium body. Oil-resistant plastic float switch. 2" M bottom connection and 2" F top connection.

Type	Part Number	Connection	Q.ty/Box	Box/Carton
SW90N	0152150	2" MF	1	1



LACPT

Fire-safety lever for cable-operation of Multibloc and RIS shut-off valves. Complete with transparent protective cover. Base plate and red lever made of special plastic. Complete with 10m of PVC-clad flexible steel cable, 3 intermediate slots and 3 cable clamps for connection of ends. The lever must be located outside the boiler room.

Type	Part Number	Connection	Q.ty/Box	Box/Carton
LACPT	0153130		1	1

Dimensions on page 108



RIS

Diesel shut-off valve with pull-out lever remotely controlled by LACPT cable and fire-safety lever, complete with kit of fittings for Ø 6x8, 8x10 and 10x12mm pipes. CW brass body.

Type	Part Number	Connection	Q.ty/Box	Box/Carton
RIS	0120100	3/8" F	1	1

Dimensions on page 108



CL50

PVC-clad, flexible, steel-braid cable for operating shut-off devices by means of a fire-safety lever. Sold in 50m rolls with 10 cable clamps.

Type	Part Number	Description	Q.ty/Box	Box/Carton
CL50	0154050	Ø cable 1,87mm	1 (50 metri)	



TCS

Tank filler cap with slots for padlock and chain. Tropicalised zamak body and cover. 2" F connection to tank. 2.1/2" M connection for filler pipe.

Type	Part Number	Connection	Q.ty/Box	Box/Carton
TCS	0155100	2" F x 2.1/2" M	1	90



CTS

Cap for tank vent pipe, without thread, with fixed spacers for adaptation to press-fit pipes, with fastening screws. High-impact plastic body, metal mesh.



Type	Part Number	Connection	Q.ty/Box	Box/Carton
CTS	0160125	1" - 1.1/4"	10	10
CTS	0160140	1.1/2" - 2"	10	10

LEAK DETECTOR SYSTEMS

LAG 14 ER

Leak detector system for double-skin tanks designed for flammable liquid storage, consisting of electronic control unit with visual (LED) and acoustic alarm indicator and additional output contact, anti-static tank for leak detector fluid that can be installed in hazard zones and intrinsic safety probe. Power supply 230 V, 50 Hz.

Maximum probe connection distance 50m with shielded cable. Suitable for in-ground tanks with a capacity of up to approximately 60,000 litres and for above-ground tanks with a capacity of up to approximately 20,000 litres.

To fit the detector system, use the complete set of LAGMS accessories.

Complies with LVD 2014/35/EU - EMC 2014/30/EU – ATEX 2014/34/EU (1) G [EEx ia] IIC bzw. [EEx ia] IIB.



Type	Part Number	Description	Q.ty/Box	Box/Carton
LAG 14 ER	0190150	Complete central unit	1	1
BA14	0191006	Additional tank	1	1

Dimensions on page 108

LAGMS

Complete set of accessories for fitting the LAG 14 ER leak detector system on double-skin tanks, consisting of threaded nipple (1") for connection to tank, complete with EPDM pipe, fittings for connection with the leak detector fluid tank, threaded nipple (1") with test and bleed valve.



Type	Part Number	Connection	Q.ty/Box	Box/Carton
LAGMS	0196150	-	1	1

TECHNICAL NOTE - Leak detector operation

The LAG 14 ER leak detector monitors the intermediate chamber (control chamber) of the tank, filled with detector fluid, and detects any leakage onto the inner or outer skin. The device consists of an indicator device (electronic control unit) capable of triggering a visual and acoustic alarm, and an indicator fluid tank with transducer (probe) connected to the tank's control chamber by a pipe.

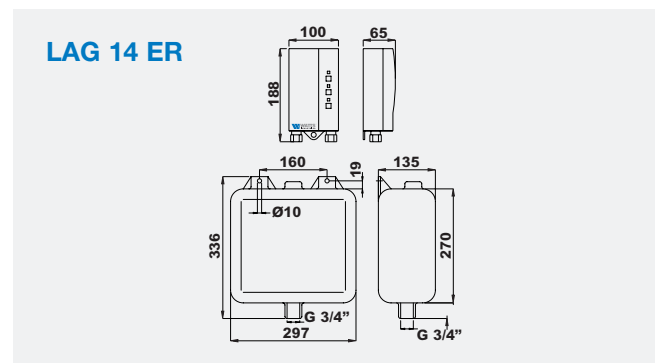
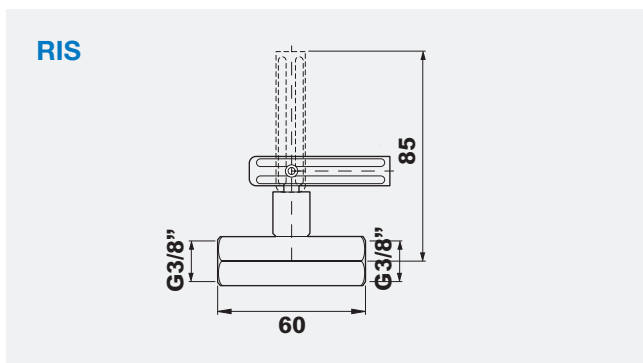
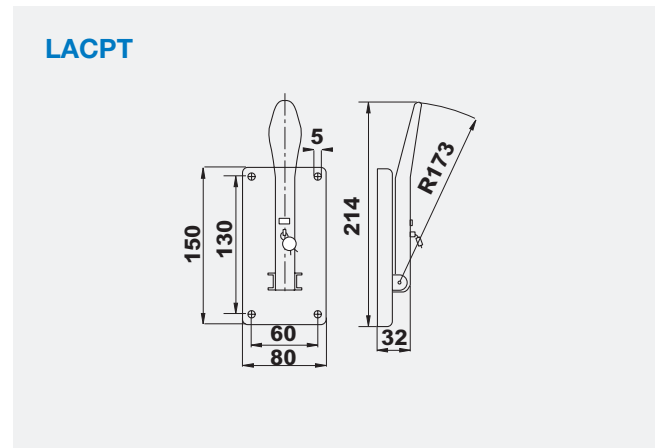
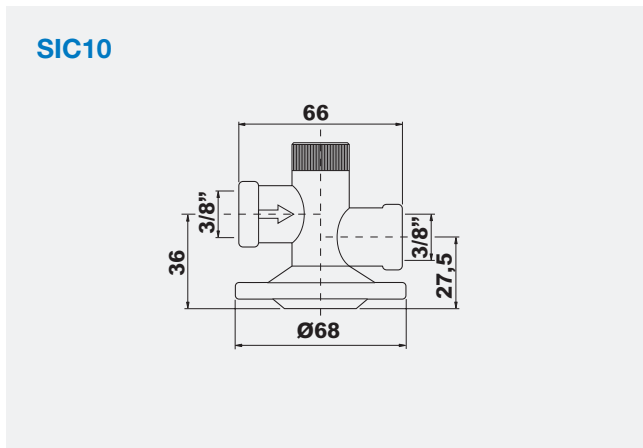
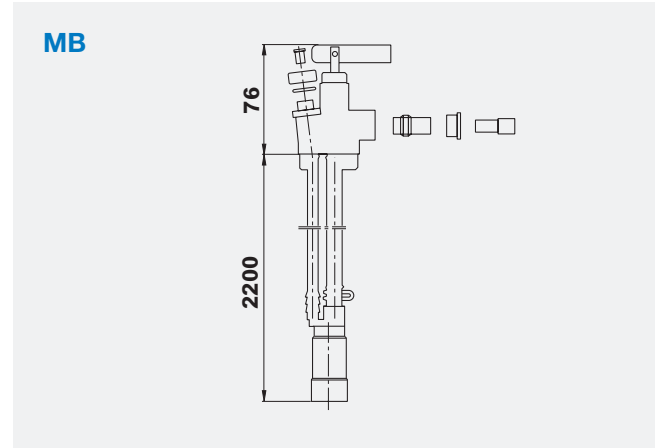
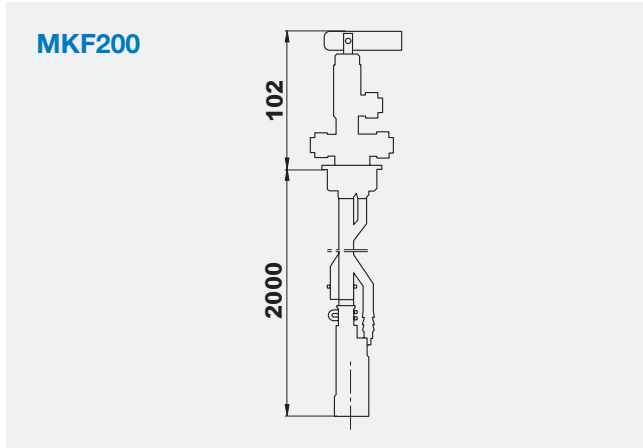
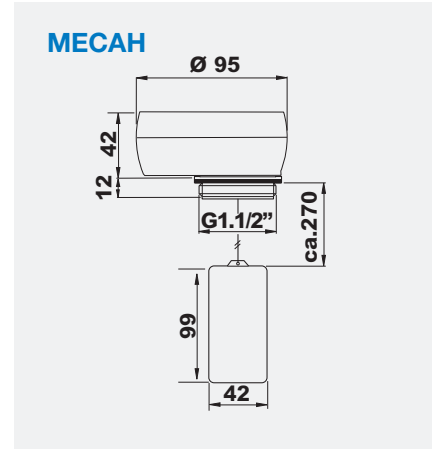
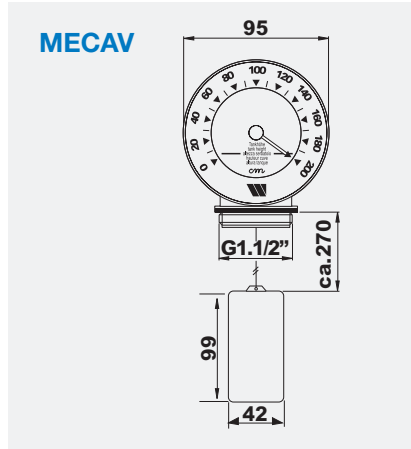
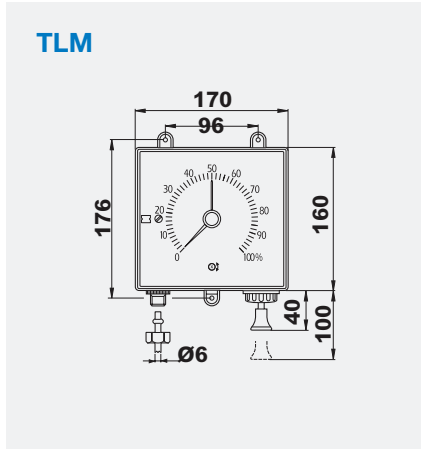
Must be used exclusively with the same type of fluid as stored in the control chamber of the main tank. The fluid must be BAM-certified.

Examples of suitable BAM certified fluids:

Glyco Shell 1	(Deutsche Shell AG - Hamburg - D)
Antifrogen N	(Hoechst AG - Gendorf - D)
Glymin NF	(BASF Ludwigshafen - D)
Ilexan	(Hüls AG - Marl - D)

and other equivalent fluids with minimum electrical conductivity of 0.05 µS/cm.

OVERALL DIMENSIONS



NOZZLES**NOZZLES**

Burner nozzles, individually packaged in boxes of 12. Diesel and fuel oil.

EN 293 compliant.



Type	Part Number	Flow	Q.ty/Box	Box/Car- ton
R	Full spray pattern 45° - 60° - 80°	Capacity da 0,40 gph a 0,65 gph	12	1
R	Full spray pattern 45° - 60° - 80°	Capacity da 0,70 gph a 3,50 gph	12	1
NS	Empty spray pattern 45° - 60° - 80°	Capacity da 0,50 gph a 0,65 gph	12	1
NS	Empty spray pattern 45° - 60° - 80°	Capacity da 0,70 gph a 2,00 gph	12	1
AR	Special full spray pattern 45° - 60° - 80°	Capacity da 0,50 gph a 0,65 gph	12	1
AR	Special full spray pattern 45° - 60° - 80°	Capacity da 0,70 gph a 3,50 gph	12	1
PLP	Semi full spray pattern 45° - 60° - 80°	Capacity da 2,25 gph a 50,00 gph	12	1
PL	Empty spray pattern 45° - 60° - 80°	Capacity da 2,25 gph a 50,00 gph	12	1

PRODUCT INDEX

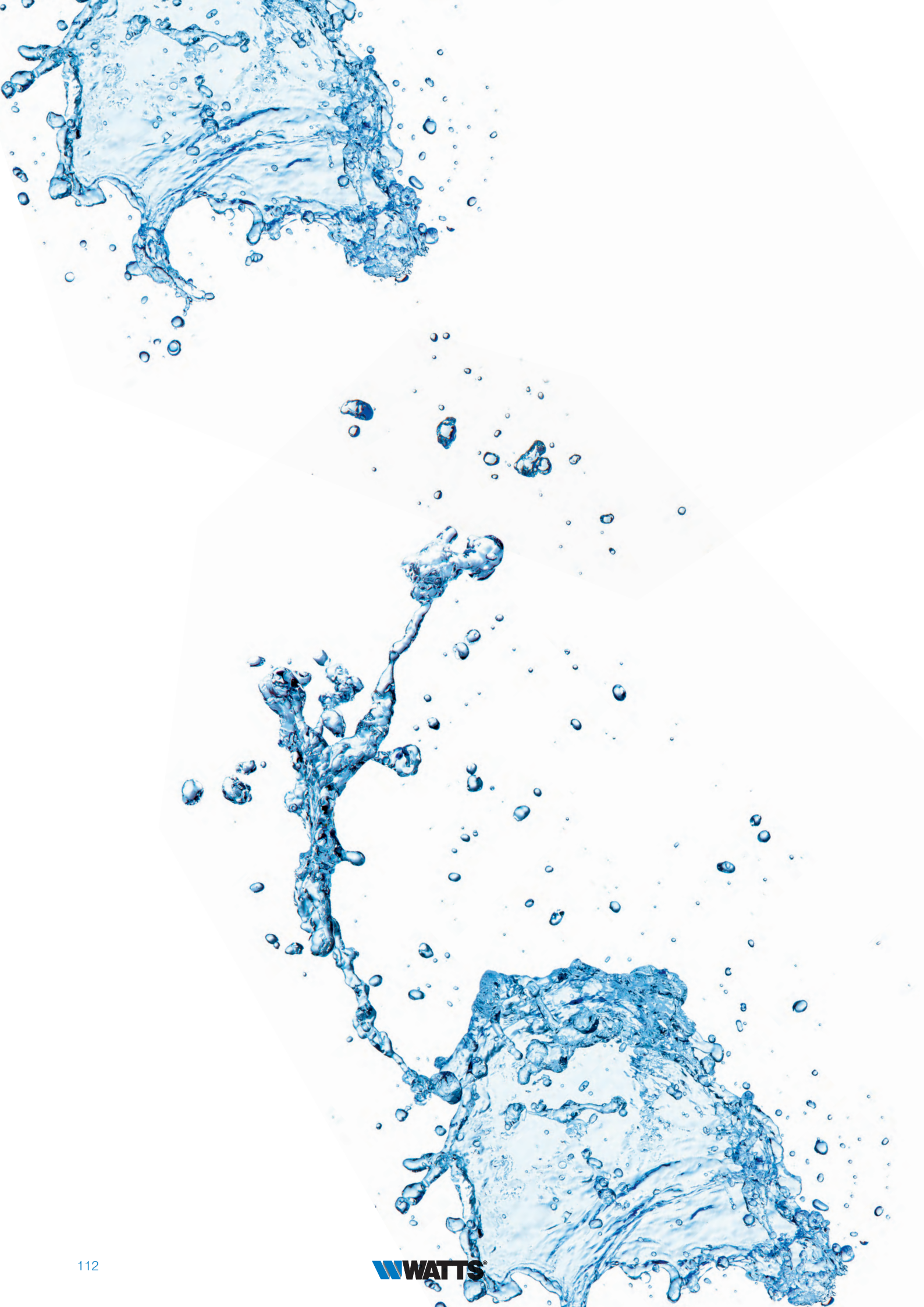
Product	Description	Chapter	Page
21003	Self-cleaning filters	Chapter 1.3	88
21005	Self-cleaning filters	Chapter 1.3	88
21005/RE	Heated Self-cleaning filters	Chapter 1.3	91
21005FE	High-pressure self-cleaning filters	Chapter 1.3	90
21005FERE	Heated Self-cleaning filters	Chapter 1.3	92
21008	Self-cleaning filters	Chapter 1.3	88
21008FE	High-pressure self-cleaning filters	Chapter 1.3	91
21008FERE	Heated Self-cleaning filters	Chapter 1.3	92
31003	Self-cleaning filters	Chapter 1.3	88
31003/RE	Heated Self-cleaning filters	Chapter 1.3	91
31008	Self-cleaning filters	Chapter 1.3	88
31008/RE	Heated Self-cleaning filters	Chapter 1.3	91
31008FE	High-pressure self-cleaning filters	Chapter 1.3	91
31008FERE	Heated Self-cleaning filters	Chapter 1.3	92
41000	Self-cleaning filters	Chapter 1.3	89
41000NL	Heated Self-cleaning filters	Chapter 1.3	92
45000	Self-cleaning filters	Chapter 1.3	90
51000	Self-cleaning filters	Chapter 1.3	89
51000F	Self-cleaning filters	Chapter 1.3	89
51000FNL	Heated Self-cleaning filters	Chapter 1.3	93
51000NL	Heated Self-cleaning filters	Chapter 1.3	93
60100	Parts for strainer filters	Chapter 1.3	80
60150	Parts for strainer filters	Chapter 1.3	80
60200	Parts for strainer filters	Chapter 1.3	80
60300	Parts for strainer filters	Chapter 1.3	79
60450	Parts for strainer filters	Chapter 1.3	79
60500	Parts for strainer filters	Chapter 1.3	80
60504	Parts for strainer filters	Chapter 1.3	81
60700	Parts for strainer filters	Chapter 1.3	81
70100	Special filter	Chapter 1.3	78
70101	Strainer filters	Chapter 1.3	68
70104	Strainer filters	Chapter 1.3	68
70107	Strainer filters	Chapter 1.3	68
70151GL/NL	Filters with electronic heater	Chapter 1.3	73
70151M	Magnetic filters	Chapter 1.3	71
70157GL/NL	Filters with electronic heater	Chapter 1.3	72
70157M	Magnetic filters	Chapter 1.3	70
70301A	Strainer filters	Chapter 1.3	65
70301P	Strainer filters	Chapter 1.3	65
70302A	Strainer filters	Chapter 1.3	65
70302P	Strainer filters	Chapter 1.3	65
70303A	Strainer filters	Chapter 1.3	64
70303P	Strainer filters	Chapter 1.3	64
70310	Special filter	Chapter 1.3	78
70311A	Strainer filters	Chapter 1.3	66
70311P	Strainer filters	Chapter 1.3	67
70312A	Strainer filters	Chapter 1.3	67
70312P	Strainer filters	Chapter 1.3	67
70313A	Strainer filters	Chapter 1.3	66
70313P	Strainer filters	Chapter 1.3	66
70351A	Special filter	Chapter 1.3	76
70351P	Special filter	Chapter 1.3	77

Product	Description	Chapter	Page
70370	Special filter	Chapter 1.3	76
70371RE	Filters with electronic heater	Chapter 1.3	72
70372RE	Filters with electronic heater	Chapter 1.3	72
70450	Special filter	Chapter 1.3	78
70451A	Strainer filters	Chapter 1.3	63
70451P	Strainer filters	Chapter 1.3	64
70452A	Strainer filters	Chapter 1.3	63
70452P	Strainer filters	Chapter 1.3	63
70500	Special filter	Chapter 1.3	79
70501	Strainer filters	Chapter 1.3	68
70501GL/NL	Filters with electronic heater	Chapter 1.3	73
70501GLM/NLM	Magnetic filters with electronic heater	Chapter 1.3	75
70501M	Magnetic filters	Chapter 1.3	71
70502	Strainer filters	Chapter 1.3	69
70502GL/NL	Filters with electronic heater	Chapter 1.3	74
70502GLM/NLM	Magnetic filters with electronic heater	Chapter 1.3	75
70502M	Magnetic filters	Chapter 1.3	71
70503	Strainer filters	Chapter 1.3	69
70503GL/NL	Filters with electronic heater	Chapter 1.3	74
70503GLM/NLM	Magnetic filters with electronic heater	Chapter 1.3	75
70503M	Magnetic filters	Chapter 1.3	71
70504	Strainer filters	Chapter 1.3	69
70600	Air and gas filters	Chapter 1.2	11
70600/1B	Air and gas filters	Chapter 1.2	11
70600/6B	Air and gas filters	Chapter 1.2	11
70600F/6B	Air and gas filters	Chapter 1.2	12
70680	Air and gas filters	Chapter 1.2	12
70700	Strainer filters	Chapter 1.3	70
70700F	Strainer filters	Chapter 1.3	70
AMSV-2L	Automatic ON-OFF solenoid valves	Chapter 1.2	39
AMSV-2R	Automatic ON-OFF solenoid valves	Chapter 1.2	38
AMSV-R	Automatic ON-OFF solenoid valves	Chapter 1.2	38
BM	Pressure regulators	Chapter 1.2	29
CIVIC 1	Gas leak detectors	Chapter 1.2	55
CIVIC 4	Gas leak detectors	Chapter 1.2	55
CL50	Diesel safety	Chapter 1.3	104
CMGFF	Extendable flexible joints	Chapter 1.2	59
CMGMF	Extendable flexible joints	Chapter 1.2	59
CTS	Diesel safety	Chapter 1.3	105
DF	Fittings	Chapter 1.3	103
DI	Fittings	Chapter 1.3	103
DM	Fittings	Chapter 1.3	103
EV	Solenoid valves with manual resetting	Chapter 1.2	46
EV/6B	Solenoid valves with manual resetting	Chapter 1.2	47
EV/6BEEEXD	Solenoid valves with manual resetting	Chapter 1.2	50
EVM/6B	Solenoid valves with manual resetting	Chapter 1.2	48
EVO	Solenoid valves with manual resetting	Chapter 1.2	43
EVO/6B	Solenoid valves with manual resetting	Chapter 1.2	43
FG1B	Pressure regulators	Chapter 1.2	20
FGD	Pressure regulators	Chapter 1.2	18
FGDR	Pressure regulators	Chapter 1.2	19
FGDR/COM	Pressure regulators	Chapter 1.2	18

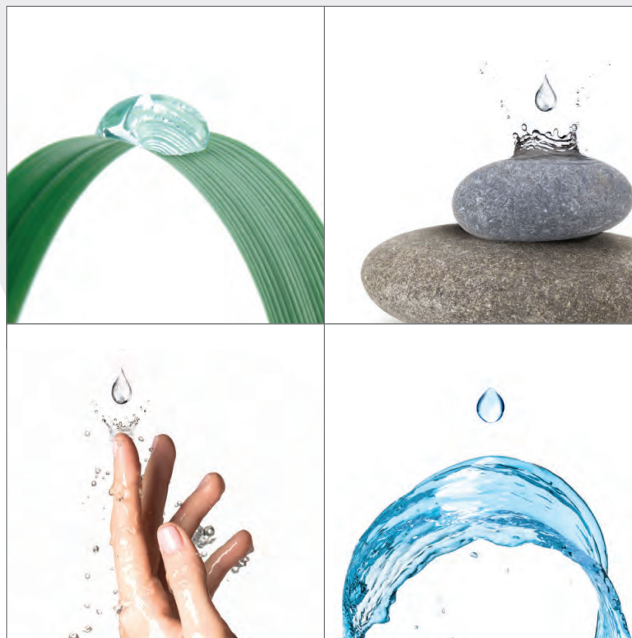
PRODUCT INDEX

Product	Description	Chapter	Page
FOEX	Waste oil filter	Chapter 1.3	94
FS1B	Pressure regulators	Chapter 1.2	21
FSDR	Pressure regulators	Chapter 1.2	21
G20	Level indicators, probes and accessories	Chapter 1.3	101
GA-GAF	Vibration-damping and dielectric joints	Chapter 1.2	14
GAVR	Slam shut-off and relief valves	Chapter 1.2	35
GDA	Vibration-damping and dielectric joints	Chapter 1.2	14
GDFE	Vibration-damping and dielectric joints	Chapter 1.2	15
GDMF	Vibration-damping and dielectric joints	Chapter 1.2	14
GE	Extendable flexible joints	Chapter 1.2	59
GHAV	Automatic ON-OFF solenoid valves	Chapter 1.2	39
GS1FF	System components	Chapter 1.3	98
GSAV	Automatic ON-OFF solenoid valves	Chapter 1.2	37
GSAV-2L	Automatic ON-OFF solenoid valves	Chapter 1.2	38
GSAV-2R	Automatic ON-OFF solenoid valves	Chapter 1.2	37
GSAVO	Automatic ON-OFF solenoid valves	Chapter 1.2	36
GSAV-R	Automatic ON-OFF solenoid valves	Chapter 1.2	37
GSW	Gas leak detectors	Chapter 1.2	55
GSX	Gas leak detectors	Chapter 1.2	55
GUA	Protection device	Chapter 1.2	60
JH	Fuel shut-off and jerk handle on/off valves	Chapter 1.1	8
KIT COPERCHI	Parts for strainer filters	Chapter 1.3	83
KIT GAS SENTINEL	Gas leak detectors	Chapter 1.2	56
KIT GUARNIZIONI	Parts for strainer filters	Chapter 1.3	82
KIT VASCHETTE	Parts for strainer filters	Chapter 1.3	83
LACPT	Diesel safety	Chapter 1.3	104
LAG14 ER	Leak detector systems	Chapter 1.3	105
LAGMS	Leak detector systems	Chapter 1.3	105
M10M15	System components	Chapter 1.3	98
MB	Slam shut-off and relief valves	Chapter 1.2	32
MB	Pick-up assemblies	Chapter 1.3	102
MB/6B	Slam shut-off and relief valves	Chapter 1.2	33
MECAH	Level indicators, probes and accessories	Chapter 1.3	101
MECAV	Level indicators, probes and accessories	Chapter 1.3	101
MKF200	Pick-up assemblies	Chapter 1.3	102
MS	Slam shut-off and relief valves	Chapter 1.2	33
MSV	Solenoid valves with manual resetting	Chapter 1.2	44
MSV/6B	Solenoid valves with manual resetting	Chapter 1.2	45
MSV/6BEEXD	Solenoid valves with manual resetting	Chapter 1.2	49
MSVM/6B	Solenoid valves with manual resetting	Chapter 1.2	48
MSVO	Solenoid valves with manual resetting	Chapter 1.2	42
MSVO/6B	Solenoid valves with manual resetting	Chapter 1.2	42
PE50	Level indicators, probes and accessories	Chapter 1.3	101
PRO/PROH	System components	Chapter 1.3	99
RDA	Level indicators, probes and accessories	Chapter 1.3	102
RG2	Special filter	Chapter 1.3	77
RIS	Diesel safety	Chapter 1.3	104
RP1B	Pressure regulators	Chapter 1.2	17
RV1	Special filter	Chapter 1.3	77
RV2	Special filter	Chapter 1.3	77
RZ	Special filter	Chapter 1.3	78
SIC10	Diesel safety	Chapter 1.3	104

Product	Description	Chapter	Page
SS	Parts for strainer filters	Chapter 1.3	81
ST1B	Pressure regulators	Chapter 1.2	23
ST4B	Pressure regulators	Chapter 1.2	28
ST4B..BM	Pressure regulators	Chapter 1.2	29
STR	Pressure regulators	Chapter 1.2	22
SVG	System components	Chapter 1.3	98
SW90N	Diesel safety	Chapter 1.3	104
TCS	Diesel safety	Chapter 1.3	104
TECAL	Pick-up assemblies	Chapter 1.3	103
TLM	Level indicators, probes and accessories	Chapter 1.3	101
U11012	Parts for strainer filters	Chapter 1.3	94
U21002	Parts for strainer filters	Chapter 1.3	94
U21008	Parts for strainer filters	Chapter 1.3	95
U31000	Parts for strainer filters	Chapter 1.3	95
U41000	Parts for strainer filters	Chapter 1.3	95
U45000	Parts for strainer filters	Chapter 1.3	95
U51000	Parts for strainer filters	Chapter 1.3	95
UGELLI	Nozzles	Chapter 1.3	107
UR13	Gas leak detectors	Chapter 1.2	56
UR20S	Gas leak detectors	Chapter 1.2	56
V1	Special filter	Chapter 1.3	77
VFU	Level indicators, probes and accessories	Chapter 1.3	102
VIC/A	Fuel shut-off and jerk handle on/off valves	Chapter 1.1	8
VRGA	Slam shut-off and relief valves	Chapter 1.2	35
VRU	Level indicators, probes and accessories	Chapter 1.3	102



Innovative Water Solutions



Heating and air conditioning
Drainage systems and pipes
Water distribution systems
Domestic water systems

