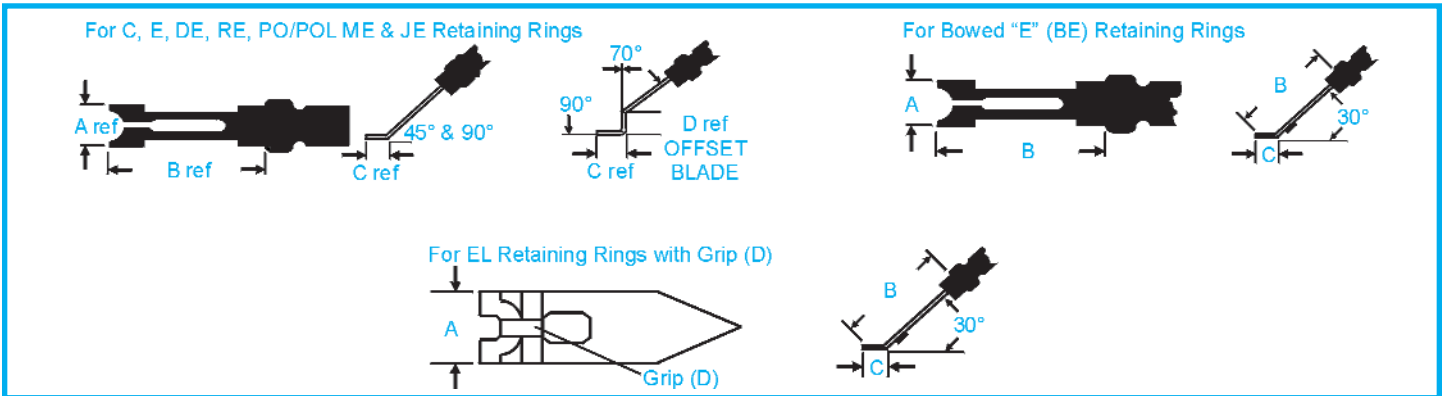


# Applicators



Applicators are designed to install standard radial retaining rings on a shaft. Used with Rotor Clip Dispensers, applicators enable operators to install rings quickly and correctly (ring "snaps" when properly seated in groove.)

- **For assembly of Inch/Metric radial retaining rings.**
- **Heat treated for strength.**
- **Allows for installation without turning tool.**
- **For use with Rotor Clip C, E, BE, RE, PO/POL, E, DE, ME and JE Retaining rings.**

**\*Applicators for Rotor Clip "C" Retaining Rings**

RING SIZE	APP. NO.	BLADE		TIP LENGTH	OFFSET
		WIDTH A	LENGTH B		
C-12	A-300	.264	1.438	.375	.375
C-15	A-080	.500	1.438	.375	.375
C-18	A-090	.500	1.438	.375	.375
C-21	A-310	.500	1.438	.375	.375
C-23	A-320	.500	1.438	.375	.375
C-25	A-330	.500	1.438	.375	.375
C-28	A-340	.500	1.438	.375	.375
C-31	A-350	.500	1.438	.375	.375
C-37	A-360	.812	2.218	.593	.625
C-40	A-370	.812	2.218	.593	.625
C-43	A-380	.812	2.218	.593	.625
C-50	A-290	.812	2.218	.593	.625
C-56	A-390	.812	2.218	.593	.625
C-62	A-400	1.125	2.390	.765	.625
C-68	A-410	1.125	2.390	.765	.625
C-75	A-280	1.125	2.390	.765	.625
C-81	A-420	1.125	2.390	.765	.625
C-87	A-430	1.125	2.390	.765	.625
C-93	A-440	1.562	2.625	.969	.625
C-100	A-450	1.562	2.625	.969	.625
C-112	A-460	1.562	2.625	.969	.625
C-125	A-470	1.562	2.625	.969	.625
C-137	A-480	1.562	1.875	1.188	.625
C-150	A-490	1.562	1.875	1.188	.625

**Applicators for Rotor Clip "BE/BSE" Retaining Rings**

RING SIZE	APP. NO.	BLADE		TIP LENGTH	OFFSET
		WIDTH A	LENGTH B		
BSE-11	A-550	.500	1.375	.375	.375
BE-12	A-551	.500	1.375	.375	.375
BE-14	A-552	.500	1.375	.375	.375
BSE-14	A-553	.500	1.375	.375	.375
BE-15	A-554	.500	1.375	.375	.375
BSE-17	A-555	.500	1.375	.375	.375
BE-18	A-556	.500	1.375	.375	.375
BSE-18	A-557	.500	1.375	.375	.375
BSE-21	A-558	.812	2.156	.625	.625
BE-25	A-559	.812	2.156	.625	.625
BSE-31	A-560	.812	2.156	.625	.625
BE-37	A-561	.812	2.156	.625	.625
BE-43	A-562	.812	2.156	.625	.625
BSE-43	A-563	.812	2.156	.625	.625
BE-50	A-564	1.125	2.250	.750	.875
BE-62	A-565	1.125	2.250	.750	1.000
BSE-74	A-566	1.562	2.469	1.093	1.000
BE-75	A-567	1.562	2.469	1.093	1.000
BE-87	A-568	1.562	2.469	1.093	1.000
BSE-98	A-569	1.875	2.812	1.188	1.188

*Please wear protective eyewear while installing and removing retaining rings and hose clamps.*

\*45°, 90° and Offset applicators for C, E and RE retaining rings - Replace the last "0" of the applicator designation with a "4" (45°), "9" (90°), or "7" (Offset.) (Ex., A-304, A-309, A-307, etc.)

\*\*45°, 90° and Offset applicators for DE, DC, PO/POL, EL, JE and ME retaining rings - To the end of the applicator designation, add a "4" (45°), "9" (90°), or "7" (Offset.) (Ex., A-7084, A-7089, A-7087, etc.)

**\*Applicators for Rotor Clip "RE" Retaining Rings**

RING SIZE	APP. NO.	BLADE		TIP LENGTH	OFFSET
		WIDTH A	LENGTH B		
RE-9	A-080	.500	1.438	.375	.375
RE-12	A-520	.500	1.438	.375	.375
RE-15	A-120	.500	1.438	.375	.375
RE-18	A-130	.500	1.438	.375	.375
RE-21	A-140	.812	2.218	.593	.625
RE-25	A-160	.812	2.218	.593	.625
RE-31	A-500	.812	2.218	.593	.625
RE-37	A-170	.812	2.218	.593	.625
RE-43	A-270	1.125	2.390	.765	.625
RE-50	A-200	1.125	2.390	.765	.625
RE-56	A-280	1.125	2.390	.765	.625

**\*\*Applicators for Rotor Clip "DE" Retaining Rings**

RING SIZE	APP. NO.	BLADE		TIP LENGTH	OFFSET
		WIDTH A	LENGTH B		
DE-0.8	A-708	.265	1.438	.375	.375
DE-1.2	A-712	.265	1.438	.375	.375
DE-1.5	A-715	.265	1.438	.375	.375
DE-1.9	A-719	.265	1.438	.375	.375
DE-2.3	A-723	.500	1.438	.375	.375
DE-3.2	A-310	.500	1.438	.375	.375
DE-4	A-340	.500	1.438	.375	.375
DE-5	A-605	.812	2.218	.593	.625
DE-6	A-606	.812	2.218	.593	.625
DE-7	A-607	.812	2.218	.593	.625
DE-8	A-608	.812	2.218	.593	.625
DE-9	A-609	1.125	2.390	.765	.625
DE-10	A-610	1.125	2.390	.765	.625
DE-12	A-612	1.562	2.625	.969	.625
DE-15	A-615	1.562	2.625	.969	.625
DE-19	A-619	1.875	2.844	1.188	.625

# Applicators

## \*\*Applicators for Rotor Clip "PO/POL" Retaining Rings

RING SIZE	APP. NO.	BLADE WIDTH A	BLADE LENGTH B	TIP LENGTH C	OFFSET D
PO-15	A-815	.500	1.438	.375	.625
PO-18	A-818	.812	2.218	.593	.625
PO-25	A-825	.812	2.218	.593	.625
PO-31	A-831	.812	2.218	.593	.625
PO-37	A-837	1.125	2.390	.765	.625
PO-43	A-843	1.125	2.390	.765	.625
PO-50	A-850	1.125	2.390	.765	.625
POL-15	A-915	.500	1.438	.375	.625
POL-18	A-918	.812	2.218	.593	.625
POL-25	A-925	.812	2.218	.593	.625
POL-31	A-931	.812	2.218	.593	.625
POL-37	A-937	1.125	2.390	.765	.625
POL-43	A-943	1.125	2.390	.765	.625
POL-50	A-950	1.125	2.390	.765	.625

## \*\*Applicators for Rotor Clip "E" Retaining Rings

RING SIZE	APP. NO.	BLADE WIDTH A	BLADE LENGTH B	TIP LENGTH C	OFFSET D
E-4	A-010	.265	1.438	.375	.250
SE-6	A-020	.265	1.438	.375	.375
YE-6	A-030	.500	1.438	.375	.375
E-6	A-040	.265	1.438	.375	.375
SE-9	A-050	.500	1.438	.375	.375
E-9	A-510	.500	1.438	.375	.375
SE-11	A-060	.500	1.438	.375	.375
E-12	A-050	.500	1.438	.375	.375
SE-14	A-080	.500	1.438	.375	.375
YE-14	A-090	.500	1.438	.375	.375
E-14	A-070	.500	1.438	.375	.375
E-15	A-100	.500	1.438	.375	.375
SE-17	A-110	.500	1.438	.375	.375
SE-18	A-130	.500	1.438	.375	.375
E-18	A-120	.500	1.438	.375	.375
SE-21	A-140	.812	2.218	.593	.625
E-25	A-150	.812	2.218	.593	.625
SE-31	A-160	.812	2.218	.593	.625
SE-37	A-290	.812	2.218	.593	.625
E-37	A-170	.812	2.218	.593	.625
E-43	A-180	.812	2.218	.593	.625
SE-43	A-190	.812	2.218	.593	.625
E-50	A-200	1.125	2.390	.765	.625
E-62	A-210	1.125	2.390	.765	.625
SE-74	A-220	1.562	2.625	.969	.625
E-75	A-230	1.562	2.625	.969	.625
E-87	A-240	1.562	2.625	.969	.625
SE-98	A-250	1.875	2.844	1.188	.625
SE-118	A-260	1.875	2.844	1.188	.625

## \*Applicators for Rotor Clip "ME" Retaining

RING SIZE	APP. NO.	BLADE WIDTH A	BLADE LENGTH B	TIP LENGTH C	OFFSET D
ME-1	A-010	.265	1.438	.375	.375
ME-2	A-040	.265	1.438	.375	.375
ME-3	A-050	.500	1.438	.375	.375
ME-4	A-100	.500	1.438	.375	.375
ME-5	A-120	.500	1.438	.375	.375
ME-6	A-140	.812	2.218	.593	.625
ME-7	A-150	.812	2.218	.593	.625
ME-8	A-290	.812	2.218	.593	.625
ME-9	A-608	.812	2.218	.593	.625
ME-10	A-170	.812	2.218	.593	.625
ME-11	A-180	.812	2.218	.593	.625
ME-12	A-609	1.125	2.390	.765	.625
ME-13	A-200	1.125	2.390	.765	.625
ME-15	A-612	1.125	2.390	.969	.625
ME-16	A-210	1.125	2.390	.765	.625
ME-22	A-240	1.125	2.625	.969	.625

## \*\*Applicators for Rotor Clip "EL" Retaining Rings

RING SIZE	APP. NO.	BLADE WIDTH A	BLADE LENGTH B	TIP LENGTH C
EL-9	A-109	.438	2.188	.375
EL-12	A-112	.438	2.188	.375
EL-18	A-118	.625	2.188	.563
EL-25	A-125	.750	2.188	.625
EL-31	A-131	1.000	2.625	.750
EL-37	A-137	1.125	2.625	.813
EL-43	A-143	1.125	2.625	.938

\*\* An EL applicator consists of a tool and a grip. Replacement grips may be purchased without replacing the tool by using these order numbers.

### \*\*Replacement Grips For "EL" Applicators

EL-9	A-109G
EL-12	A-112G
EL-18	A-118G
EL-25	A-125G
EL-31	A-131G
EL-37	A-137G
EL-43	A-143G

## \*\*Applicators for Rotor Clip "JE" Retaining Rings

RING SIZE	APP. NO.	BLADE WIDTH A	BLADE LENGTH B	TIP LENGTH C	OFFSET D
JE-2.5	A-050	.500	1.438	.375	.375
JE-3	A-070	.500	1.438	.375	.375
JE-4	A-340	.500	1.438	.375	.375
JE-5	A-605	.812	2.218	.593	.625
JE-6	A-606	.812	2.218	.593	.625
JE-7	A-607	.812	2.218	.593	.625
JE-8	A-608	.812	2.218	.593	.625
JE-12	A-612	1.562	2.625	.969	.625

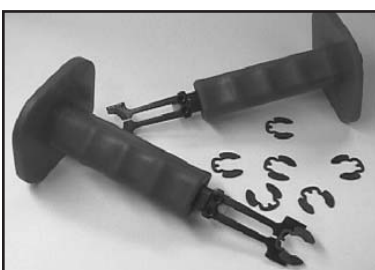
## \*\*Applicators for Rotor Clip "DC" Retaining Rings

RING SIZE	APP. NO.	RING SIZE	APP. NO.
DC-3	A-545	DC-22	A-583
DC-4	A-546	DC-23	A-584
DC-5	A-723	DC-24	A-585
DC-6	A-548	DC-25	A-586
DC-7	A-549	DC-26	A-587
DC-8	A-570	DC-28	A-588
DC-9	A-571	DC-30	A-589
DC-10	A-572	DC-32	A-590
DC-11	A-573	DC-35	A-591
DC-12	A-290	DC-36	A-592
DC-13	A-575	DC-38	A-593
DC-14	A-576	DC-40	A-594
DC-15	A-577	DC-42	A-595
DC-16	A-578	DC-45	A-596
DC-17	A-579	DC-48	A-597
DC-18	A-580	DC-50	A-598
DC-19	A-581	DC-52	A-599
DC-20	A-582	DC-55	A-600

Please contact Technical Sales for DC applicator specifications. 1-800-557-6867.

*Please wear protective eyewear while installing and removing retaining rings and hose clamps.*

## Heavy Duty Applicator Handles



### For Installation of Large PO/POL Retaining Rings (Sizes -62 to -100)

Install large PO/POL retaining rings quickly and safely. Features an applicator blade affixed to a heavy-duty handle. Plastic grip enables you to hold tool steady as you strike the rear of the tool with a hammer/mallet to install the ring. Shield at top prevents injury.

RING SIZE	APP. NO.	BLADE WIDTH
PO-62	A-862	1.125
PO-75	A-875	1.562
PO-100	A-810	1.875
POL-62	A-962	1.125
POL-75	A-975	1.562
POL-100	A-910	1.875