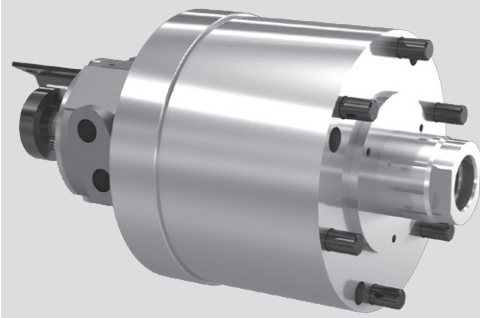


SIN-S

Closed center
rotating hydraulic cylinder

Closed center rotating hydraulic cylinder

- Up to 70 bar
- Central bore for media supply
- Stroke control via proximity switch or linear positioning system



Application/customer benefits

- Actuation of power chucks/closed or partial open center mounting applications

Technical features

- Pressure range 7–70 bar
- Horizontal or vertical installation
- Central bore for coolant, oil or air with thread for rotary union
- Safety valves and excess pressure relief valve
- Mounting from the rear or from the front side
- Stroke control via proximity switch or linear positioning system
- A 10 µm filter in pressure line is requested
- Use oil HM32 ISO 3448

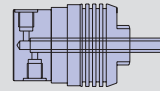
SIN-S standard version

- Central bore + thread for rotary union

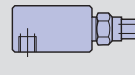
Ordering example

SIN-S standard version

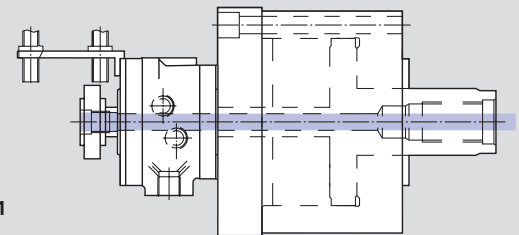
- Cylinder SIN-S 125 Id. No. 33093112
- Rotary union Id. No. 043271
(proximity switch not included)



RU-2-22
Id. No. 044970



RU-1-16
Id. No. 043271



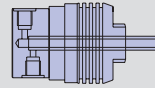
SIN-PXP with linear positioning system

- Central bore + thread for rotary union

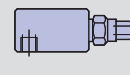
Ordering example

SIN-S standard version

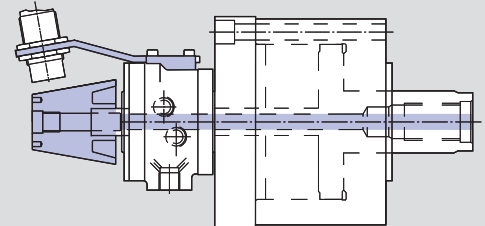
- (1)* Cylinder SIN-S 125 prepared for PXP/LPS Id. No. 77093112
- (2)* Kit PXP (braket and taper) Id. No. 60557915 (sensor not included)
- Rotary union Id. No. 044970



RU-2-22
Id. No. 044970



RU-1-16
Id. No. 043271



* **Attention:** PARTS (1) and PART (2) can be supplied as assembled with the single part number 33092912 (see table below "SIN-S equipped with kit PXP")

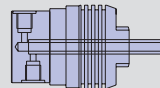
SIN-LPS-X with linear positioning system

- Central bore + thread for rotary union

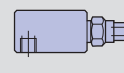
Ordering example

SIN-S standard version

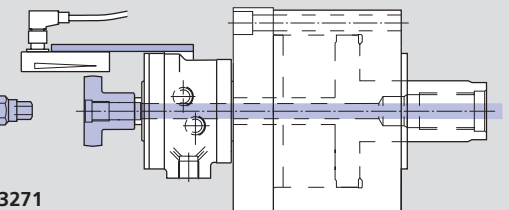
- Cylinder SIN-S 125 prepared for PXP/LPS Id. No. 77093112
- Kit LPS-X (braket and cam) Id. No. 044503 (LPS-X not included see general catalog page 275)
- Rotary union Id. No. 044970



RU-2-22
Id. No. 044970



RU-1-16
Id. No. 043271



Technical data

SMW-AUTOBLOK Type		SIN-S 50	SIN-S 70	SIN-S 85	SIN-S 100	SIN-S 125	SIN-S 150	SIN-S 175	SIN-S 200	SIN-S 250
SIN-S standard version		33093105	33093107	33093109	33093110	33093112	33093115	33093117	33093120	33093125
SIN prepared for PXP/LPS		77093105	77093107	77093109	77093110	77093112	77093115	77093117	77093120	77093125
Kit PXP		60557910	60557915	60557910	60557910	60557915	60557915	60557915	60557920	60557920
Kit LPS-X		044503	044503	044503	044503	044503	044503	044503	044496	60557625
SIN-S equipped with kit PXP		33092905	33092907	33092909	33092910	33092912	33092915	33092917	33092920	33092925
Piston area	cm ²	14	28	48	66	103	157	212	280	457
Max. pressure	bar	70	70	70	70	70	70	70	70	50
Draw pull at 40 bar	kN	5.5	11	19	26	41	62	84	112	180
Oil leakage ¹	dm ³ /min	1	1	1	1	1	1	1	2	2
Max. speed	r.p.m.	7000	7000	7000	7000	6000	6000	5000	4000	2000
Weight	kg	8.5	8.5	8	11	16	20	24	45	88
Moment of inertia	kg·m ²	0.012	0.012	0.012	0.016	0.04	0.08	0.12	0.32	0.92

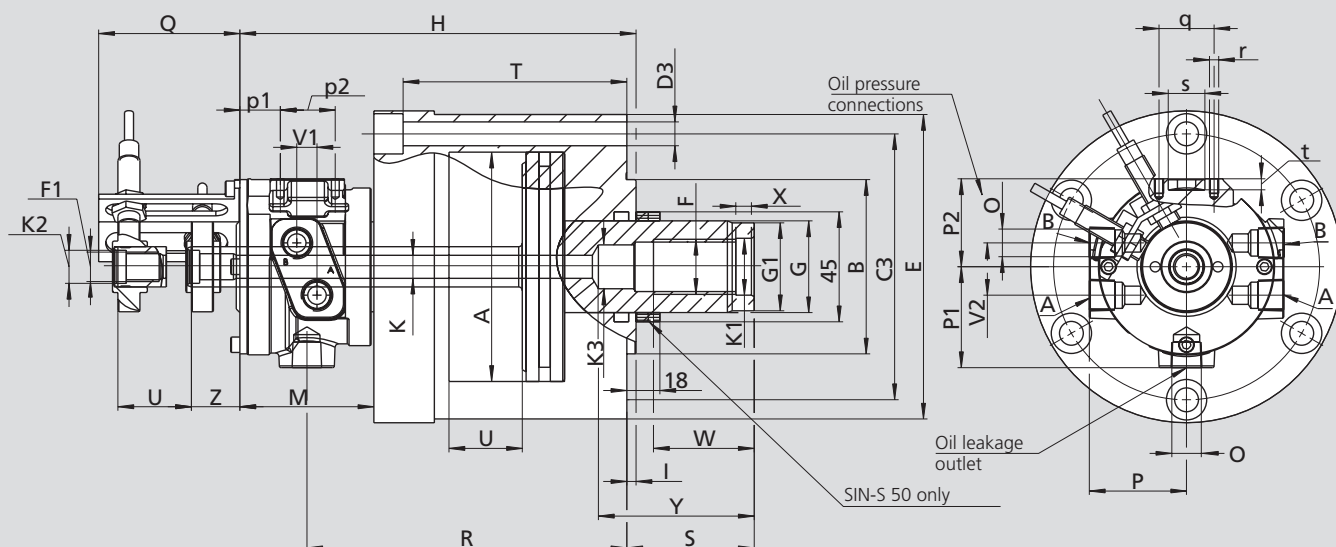
¹ Total at 30 bar and 50°C

Closed center rotating hydraulic cylinder

SIN-S

- Up to 70 bar
- Central bore for media supply
- Stroke control via proximity switch or linear positioning system

Closed center rotating hydraulic cylinder



Subject to technical changes.
For more detailed information please ask our customer service.

SMW-AUTOBLOK Type		SIN-S 50	SIN-S 70	SIN-S 85	SIN-S 100	SIN-S 125	SIN-S 150	SIN-S 175	SIN-S 200	SIN-S 250	
	A	mm	53	68	85	100	125	150	175	200	250
	B h6	mm	50	50	50	80	95	95	125	125	160
	C3	mm	100	100	100	120	145	170	195	225	275
	D3	mm	6 x 9	6 x 9	6 x 9	6 x 11	6 x 13	6 x 13	6 x 13	6 x 17	6 x 17
	E	mm	120	120	120	140	166	192	217	250	300
	F	mm	M20 x 1.5	M20 x 1.5	M20 x 1.5	M24	M30	M30	M36	M42 x 3	M42 x 3
Lefthand for rotary union	F1	mm	M16 x 1.5	M16 x 1.5	M16 x 1.5	M16 x 1.5	M16 x 1.5	M16 x 1.5	M16 x 1.5	M16 x 1.5	M16 x 1.5
	G	mm	32	32	32	40	50	50	60	65	65
	G1 h7	mm	30	30	30	38	48	48	58	62	62
	H	mm	200	200	192	196	216	216	226	288	313
	I	mm	5	5	5	5	5	5	5	5	5
	K	mm	12.5	12.5	12.5	12.5	12.5	12.5	12.5	12.5	12.5
	K1	mm	20.5	20.5	20.5	25	31	31	37	44	44
	K2 J6	mm	18	18	18	18	18	18	18	18	18
	K3 H8	mm	17	17	17	18	24	24	28	-	-
	M	mm	73	73	73	73	73	73	73	123	123
	O	inch	G 3/8"	G 3/8"	G 3/8"	G 3/8"	G 3/8"	G 3/8"	G 3/8"	G 1/2"	G 1/2"
	P	mm	55	55	55	55	55	55	55	65	65
	P1	mm	55	55	55	55	55	55	55	65	65
	P2	mm	48	48	48	48	48	48	48	59	59
	Q	mm	77	77	77	77	77	77	77	97	97
	R	mm	158.5	158.5	150.5	154.5	174.5	174.5	184.6	238	268
Max./min.	S	mm	55/30	55/15	47/15	47/15	70/30	70/30	70/25	80/30	85/25
Piston stroke	T	mm	112	112	104	104	122	122	132	140	160
	U	mm	25	40	32	32	40	40	45	50	60
	V1	mm	10	10	10	10	10	10	10	12	12
	V2	mm	30	30	30	30	30	30	30	36	36
	W	mm	40	40	40	45	55	55	55	60	60
	X	mm	10	10	10	10	10	10	10	12	12
	Y	mm	67	67	67	72	85	85	92	-	-
	Z	mm	27	27	27	27	27	27	27	27	27
	p1	mm	23.5	23.5	23.5	23.5	23.5	23.5	23.5	36	36
	p2	mm	30	30	30	30	30	30	30	30	30
	q	mm	30	30	30	30	30	30	30	30	30
	r	mm	M5	M5	M5	M5	M5	M5	M5	M5	M5
	s H8	mm	20	20	20	20	20	20	20	20	20
	t	mm	6	6	6	6	6	6	6	6	6