

1D/2D Handheld Scanner

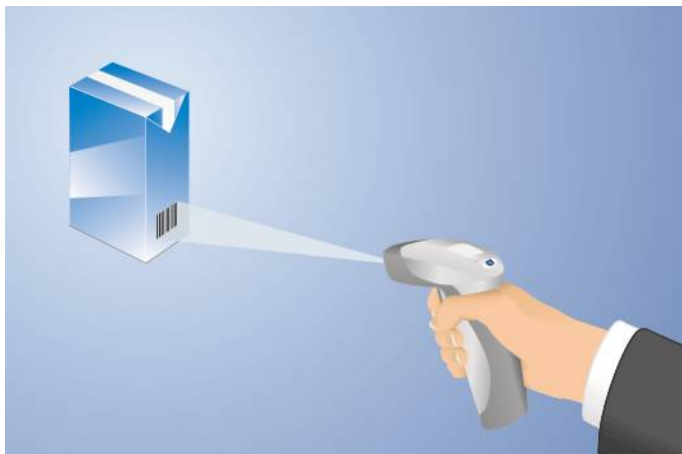
CSMH002

Part Number



- Direct feedback after decoding (vibration, visual/acoustic signal)
- Quick alignment and capture of 1D/2D codes
- Resistant to cleaning agents

These wenglor handheld scanners are suitable for mobile reading of 1D and 2D codes on a wide variety of different materials. Good scanning results are even obtained with poor code quality. Readable code types: DataMatrix, DataMatrix rectangle extension, QR codes, micro QR codes, QR model 1, Aztec code, PDF417, composite, Grid Matrix, Maxicode, micro PDF417, PDF417, code 11, code 32, code 39, code 49, code 128, interleaved 2 of 5, Telepen, MSI Plessey, Plessey, Pharmacode, UPC/EAN/JAN, Codabar, Codablock F, GS1 Databar, GS1 composite, Planet, Code93, BC412, Postal Codes.



Technical Data

Optical Data

Read Range	38...394 mm
Resolution	1280 × 960 Pixel
Light Source	Red Light
Max. Ambient Light	97000 Lux
Barcode Label Contrast	> 15 %

Electrical Data

Supply Voltage	5 V DC
Power Consumption	< 2250 mW
Temperature Range	-20...55 °C
Interface	RS-232
Baud Rate	< 115200 Bd
Acoustic signal	yes
Vibration signal	yes
Visual signal	yes

Mechanical Data

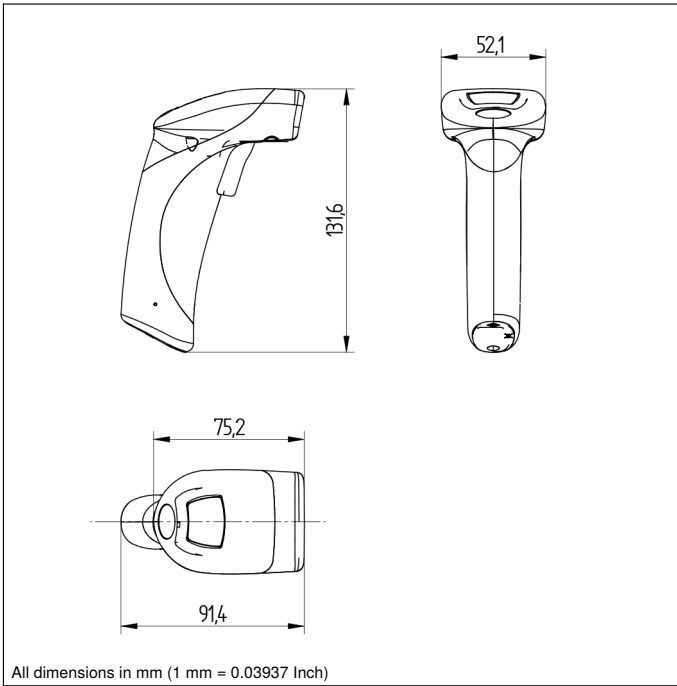
Housing Material	Plastic
Weight	110 g
Degree of Protection	IP54
Connection	Prewired
Cable Length	240 cm

Suitable Mounting Technology No.

431

Complementary Products

Connection Line ZCLL001
Fieldbus Gateway ZAGxxxN01, EPGG001
Interface Cable ZDNN001
Interface Cable ZDNN002
Software



All dimensions in mm (1 mm = 0.03937 Inch)

Min. Resolution		Read Range 1D	Read Range 2D
1D	2D		
Density			
0,127 mm	0,127 mm	92 to 127 mm	94 to 117 mm
0,191 mm	0,191 mm	56 to 165 mm	38 to 152 mm
0,254 mm	0,254 mm	38 to 203 mm	41 to 196 mm
0,508 mm	0,508 mm	58 to 394 mm	41 to 239 mm

