



Solenoid valve 2/2 way N.C. Direct acting

21A3KV10
÷
21A2KV55

PRESENTATION:

Direct acting S.V. for interception of fluids compatible with the construction materials.

Minimum operational pressure is not required.

The materials used and the tests carried out ensure maximum reliability and duration.

USE: Automation
Heating

PIPES: G 1/8 - G 1/4

COILS: 8W - Ø 13 (1)
BDA - BSA 155°C (class F)
BDV 180°C (class H)
12W - Ø 13
UDA 155°C (class F)
14W - Ø 13
GDH - GDV 180°C (class H)
(1) Explosion-proof housing for coils with electrical connections EN 175301-803 on request.

COIL HOUSING AND COIL FORMER MATERIAL ARE MADE BY 100% VIRGIN MATERIAL.

Gaskets	Temperature		Medium
V=FKM (fluoroelastomer)	- 10°C	+140°C	Mineral oils (2°E), gasoline gas oil, fuel oils (7°E)
B=NBR (nitrile rubber)	- 10°C	+ 90°C	Air, inert gas, water
E=EPDM (ethylene-propylene)	- 10°C	+140°C	Water, steam

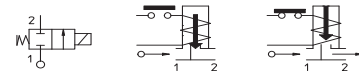
For seals other than FKM replace the letter "V" with the ones corresponding to the other seals. E.I. 21A2KE20.



Max. allowable pressure (PS) 40 bar

Ambient temperature:

See coils catalogue page for its compatibility.



Pipe ISO 228/1	Code	Max viscosity		Ø mm	Kv l/mn	Power watt	Pressure						
		cSt	°E				min bar	M.O.P.D. AC bar DC bar					
G 1/8	21A3KV10	12	~ 2	1	0,45	8	0	35	35				
	21A3KV15					12							
	21A3KV20	37	~ 5	2	2	8				30	18		
						12				22	16		
	21A3KV25	53	~ 7	2,5	3,2	12				35	30		
						14				14	9		
	21A3KV30	53	~ 7	3	4	8				30	25		
						12				10	6		
	21A3KV45	53	~ 7	4,5	6,5	14				25	18		
						8				20	20		
	G 1/4	21A2KV10	12	~ 2	1	0,45				8	0	35	35
		21A2KV15								12			
21A2KV20		37	~ 5	2	2	8	30	18					
						12	22	16					
21A2KV25		53	~ 7	2,5	3,2	12	35	30					
						14	14	9					
21A2KV30		53	~ 7	3	4	8	30	25					
						12	10	6					
21A2KV45		53	~ 7	4,5	6,5	14	25	18					
						8	20	20					
21A2KV55		53	~ 7	5,5	9	8	5	2					
						12	12	7					
						8	8	1					
						12	3	1					
						14	7	2,5					
							10	5					

Note Also available with brass body without lead.

The "ODE" reserves the right to carry out technical and aesthetic modifications without prior notice.

MATERIALS:

Body	Brass - UNI EN 12165 CW617N
Armature tube	Stainless steel AISI series 300
Fixed core	Stainless steel AISI series 400
Plunger	Stainless steel AISI series 400
Phase displacement ring	Copper - Cu 99,9%
Spring	Stainless steel AISI series 300
Seal	Standard: V=FKM On request: B=NBR E=EPDM

Orifice:	
< 3 mm	Insert slot
> 3 mm	Stainless steel AISI series 300 Brass - UNI EN 12165 CW617N

On request:	
Connector	Pg 9 or Pg 11
Connector conformity	ISO 4400

FEATURES:

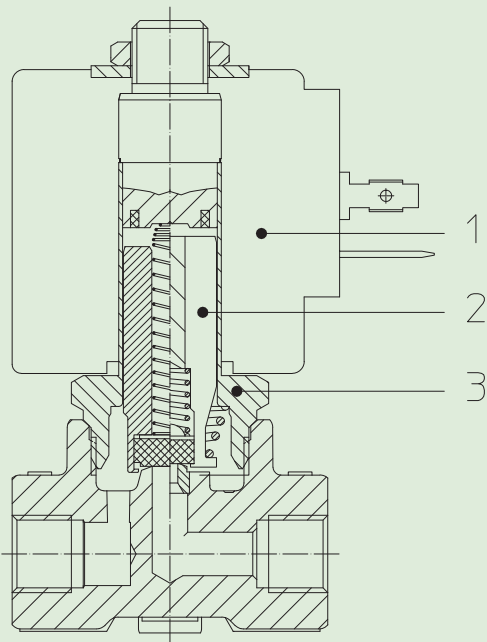
Electrical conformity	IEC 335
Protection degree	IP 65 EN 60529 (DIN 40050) with coil fitted by connector.

SPARE PARTS:

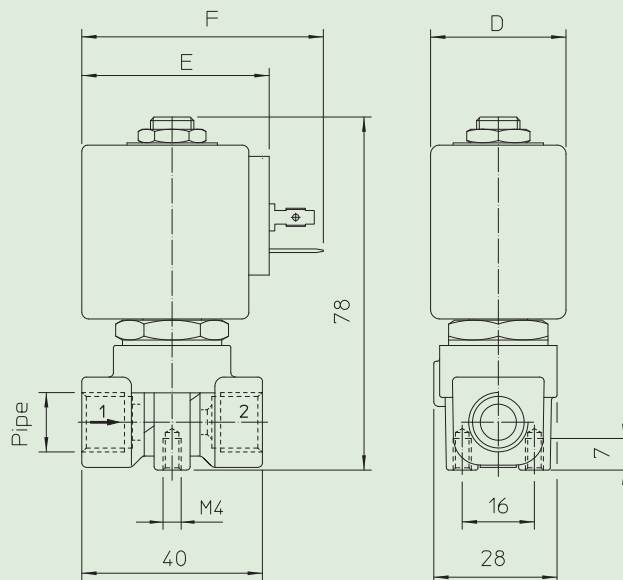
- Coil:**
See coils list
- Complete plunger:**
For orifice ≤ 3 mm
Code R450886/V
For orifice > 3 mm
Code R450898/V
- Complete armature tube:**
Code R450606

KIT:

≤ 3 mm	KT130KV30-A=2+3
> 3 mm	KT130KV55-A=2+3



DIMENSIONS:



Type	Pipe ISO 228/1
21A3KV	G 1/8
21A2KV	G 1/4

COIL TYPE	POWER ABSORPTION			DIMENSIONS		
	W ==	Hold VA ~	Inrush VA ~	D mm	E mm	F mm
B	8	14,5	25	30	42	54
U	12	23	35	36	48	60
G	14	27	43	52	55	67