

# SOUNDERS 108/114 DB(A) DS 5 | DS 10 3G/3D ATEX



### Gas and dust protection

- The industrial sander for tough applications. Proven 100,000 times over in shipping. "When nothing else works, this still does!" "Heavy duty" but still light!
- For use as an acoustic alarm in potentially explosive workplaces of category 3G (Zone 2) and 3D (Zone 22).
- Category for gas and dust protection.
- IP 67 for safe operation under extreme environmental conditions.
- Individual selection of 32 different tones.  
optionally:
- 4-stage external tone selection (options: TAS, TAV).
- All tones can be individually combined with one another when externally controlled (programming function, tone 32).



protection system



operating temperature



warranty



## PRODUCT DS 5 3G/3D

### DATA

Rated voltage	230 V	115 V	24 V <sup>1</sup>	24 V	12 V
	AC 50   60 Hz			DC	
Operating range	195-253 V	95-127 V	19-29 V	19-29 V	10-15 V
Nominal current consumption	0.03 A	0.06 A	0.28 A	0.28 A	0.28 A

## PRODUCT DS 10 3G/3D

### DATA

Rated voltage	230 V	115 V	24 V <sup>1</sup>	24 V	12 V
	AC 50   60 Hz			DC	
Operating range	195-253 V	95-127 V	19-29 V	19-29 V	10-15 V
Nominal current consumption	0.06 A	0.12 A	0.42 A	0.42 A	0.42 A

## PRODUCT DS 5 3G/3D DS 10 3G/3D

Explosion protection	II 3G Ex nA II T4 (all voltages except 24 V AC) II 3G Ex nA II T3 (24 V AC only) II 3D Ex tD A22 IP 67 T135°C	
Category (area of use)	3G (Zone 2), 3D (Zone 22)	
Testing body	Pffannenbergl	
Sound pressure level	108 dB(A) ±3 dB(A)	114 dB(A) ±3 dB(A)
Sound pressure level @DIN-tone	107 dB(A) ±3 dB(A)	112 dB(A) ±3 dB(A)
Alarm tones	32 / 4 tones are externally selectable	
Temperature class	T4 / T3 @ -25 °C ... +55 °C	
Storage temperature	-40 °C ... +70 °C	
Protection system (EN 60529)	IP 66   IP 67	
Duty cycle	100 %	
Material	die-cast aluminium GD-Al Si12 Cu	
Surface coating	epoxy resin paint RAL 3000, fl ame red	
Cable bushing	2x M20 x 1.5 (1x plastic cable gland, 1 x plug)	
Clamping range of the cable fitting	6-13 mm	
Connecting terminal cross-section	mind. 0.08 mm <sup>2</sup> ... max. 2.5 mm <sup>2</sup> AWG 28 - 12 (AWG12 THHN, THWN)	
Weight	AC: 2.15 kg   DC: 1.95 kg	

<sup>1</sup>Temperature class T3

## OPTIONS/ACCESSORIES

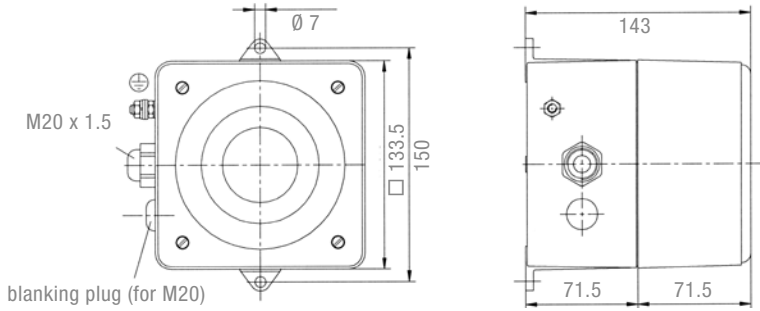


External tone selection control / 4-stage external tone selection TAV: control by means of external voltage input (12 V and 24 V DC only)  
TAS: control by means of control voltage



GL  
30457-83-HH

**DIMENSIONS**



**STONE TABLE**

NO.	DESCRIPTION – BASIC TONE (PRESET: TONE 2)	STAGE			NO.	DESCRIPTION – BASIC TONE (PRESET: TONE 2)	STAGE		
		2	3	4			2	3	4
0	no tone		2	88	57				
2 <sup>1</sup>	Sawtooth, DIN tone 33404-3 Germany (emergency signal), PFEER PTAP	1200 Hz 500 Hz		128	112	57			
15	Slow whoop, NEN 2575 evacuation alarm Netherlands	1200 Hz 500 Hz		131	54	112			
23	Siren	2400 Hz 500 Hz		24	60	112			
24	Siren	1200 Hz 300 Hz		55	23	131			
26	Pulsating tone, industrial alarm Germany	1000 Hz 150 Hz		2	100	93			
31	Sweeping, France NFC48-265	1600 Hz 1400 Hz		128	54	57			
32	Selection of available tone combinations in stages 2, 3 and 4								
36	Sweeping	1500 Hz 700 Hz		146	67	57			
45	Sweeping	1200 Hz 500 Hz		2	57	93			
54	Continuous tone, Finland (all-clear signal)	1500 Hz		2	57	67			
55	Continuous tone, PFEER gas alarm	1200 Hz		2	88	128			
57	Continuous tone, UK BS5839-1	950 Hz		2	128	88			
60	Continuous tone	825 Hz		24	93	125			
63	Continuous tone	725 Hz		2	97	93			
67	Continuous tone, Germany KTA3901 (all-clear signal)	500 Hz		24	93	125			
88	Interrupted tone	950 Hz		2	57	128			
90	Interrupted tone	825 Hz		2	127	108			
92	Interrupted tone	800 Hz		131	146	57			
93	Interrupted tone (fast), horn	800 Hz		2	128	57			
97	Interrupted tone	725 Hz		2	63	93			
98	Interrupted tone, Sweden SS031711 (emergency signal)	700 Hz		112	128	57			
100	Interrupted tone, industrial alarm Germany	680 Hz		2	57	125			
108	Interrupted tone	500 Hz		2	127	60			
112	Interrupted tone, ISO8201 (emergency evacuation signal)	950 Hz		2	57	128			
116	Interrupted tone, IMO (leave ship)	950 Hz		117	93	125			
117	Interrupted tone, IMO SOLAS III/50 + SOLAS III/6.4 (general alarm)	825 Hz		93	116	125			
125	Alternating tone	1400 Hz 1200 Hz		57	93	24			
127	Alternating tone	1075 Hz 825 Hz		2	90	60			
128	Alternating tone	1025 Hz 825 Hz		2	112	57			
131	Alternating tone, UK BS5839-1 (fire alarm, railway crossing)	1000 Hz 800 Hz		24	55	23			
142	Alternating tone	900 Hz 500 Hz		2	54	88			
146	Alternating tone, France NFS 32-001 (fire alarm)	554 Hz 440 Hz		128	67	57			

<sup>1</sup> factory setting

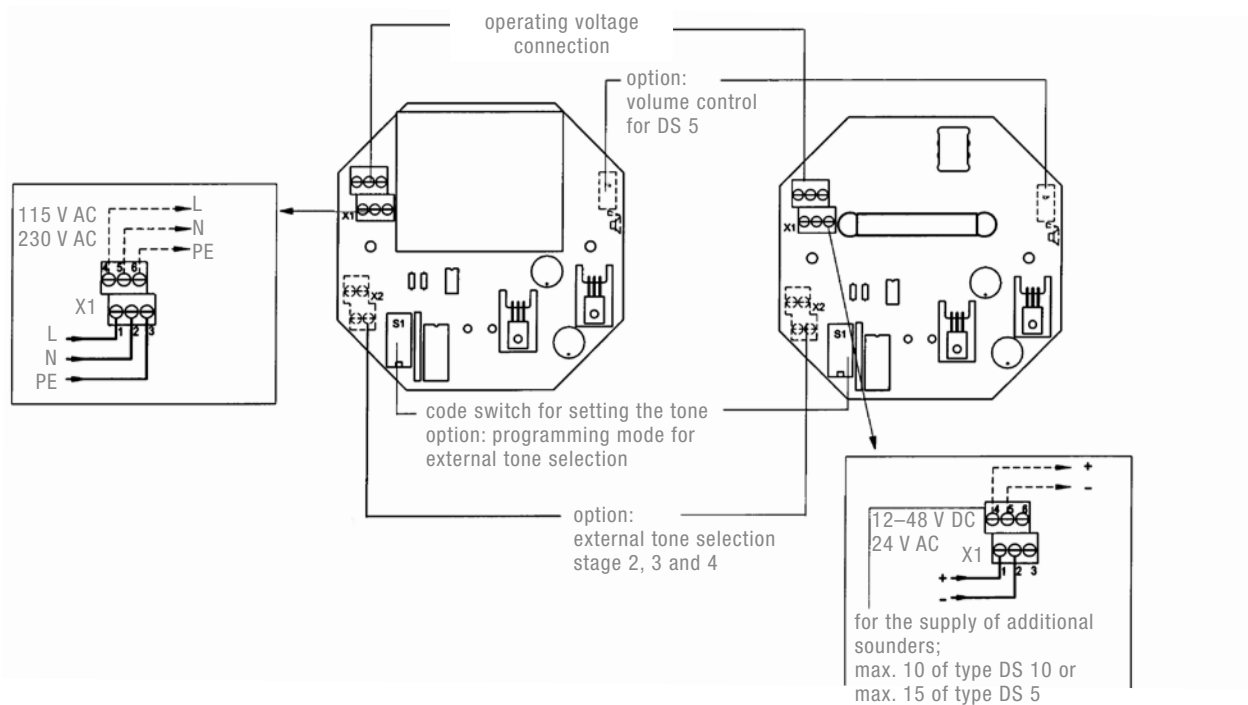
ARTICLE NO.	DS 10 3G/3D			DS 5 3G/3D		
	230 V AC	115 V AC	24 V DC	230 V AC	115 V AC	24 V DC
Version	23111100007	23111150007	23111800007	23106100007	23106150007	23106800007
Standard	23111100155	23111150155	23111800155	23106100155	23106150155	23106800155

Article numbers for other voltages and versions on request.

## CONNECTION DIAGRAMS

### AC

### DC



## MANUFACTURER'S DECLARATION

We hereby declare that the explosion-protected means of alarm with the type designation **DS 10 3G/3D, DS 5 3G/3D** fulfill the requirements of the EN 60079-0, EN 60079-15, EN 61241-0 and EN 61241-1 standards in their latest editions.

**This declaration is based on compliance with the following regulations and standards:**

DIN EN 60079-0	Electrical equipment for areas at risk of gas explosions – General requirements
DIN EN 60079-15	Electrical equipment for areas at risk of explosions – type of protection type “n”
DIN EN 61241-0	Electrical equipment for use in areas with combustible dust – General requirements
DIN EN 61241-1	Electrical equipment for use in areas with combustible dust – Part 1: protection by enclosure “tD”
DIN EN 61000-6-2	Generic standard, interference immunity for industrial areas
DIN EN 61000-6-3	Generic standard, interference emission for residential areas
DIN EN 50130-4	Electromagnetic compatibility; product family standard: requirements for the interference immunity of system components for fire and burglar alarms and well as social alarm systems
DIN 33404/3	Alarm signals for workplaces; acoustic alarm signals; uniform emergency signal; technical safety requirements, tests
DIN EN ISO7731	Ergonomic – alarms for public areas and workplaces – acoustic alarms
DIN EN 54-3	Fire alarm systems – Part 3: fire alarm devices; Acoustic alarms
DIN EN 981	Machine safety – System of acoustic and visual alarm signals and information signals
DIN EN 50262	Metric cable glands for electrical installations
DIN IEC 60038	IIEC standard voltages
DIN EN 60947-1	Low-voltage switchgear – Part 1: General specifications
DIN EN 60950-1	Safety of information technology equipment
DIN EN 60529	Types of protection by enclosure (IP code)
9. GPSG	Appliance and product safety act
UVV-BGV A3 (VBG4)	Electrical plants and equipment
Guideline 94/9/EG (ATEX 100a)	
DIN EN 60079-0 / DIN EN 60079-15 / DIN EN 61241-0 / DIN EN 61241-1	

**The DS 10 3G/3D, DS 5 3G/3D sounders are approved for use in potentially explosive areas in Zones 2 and 22 as per 94/9/EU.**