


Small Hexagonal Posts

Both Ends Tapped / One End Threaded, One End Tapped

Features: Suitable when space is limited.

Small Hexagonal Posts – Both Ends Tapped / One End Threaded, One End Tapped

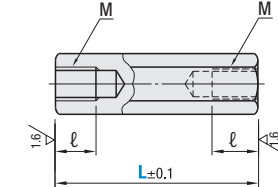


RoHS 10

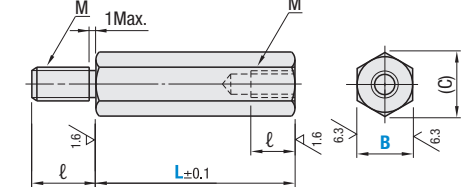
Type		Material	Surface Treatment
Both Ends Tapped	One End Threaded, One End Tapped		
BSLCB	BSLCG	1018 Carbon Steel or Equivalent or SUM	Black Oxide
PSLCB	PSLCG		Electroless Nickel Plating
SLCB	SLCG	303 Stainless Steel	—

$25 / (6.3 / 1.6 /)$

Both Ends Tapped



One End Threaded, One End Tapped



Part Number		L Dimension Selection													M	ℓ	(C)	
Type	B																	
Both Ends Tapped BSLCB PSLCB SLCB	One End Threaded, One End Tapped BSLCG PSLCG SLCG	4	5	6	7	8	9	10	15	20	M2	5	4.6					
		5	5	6	8	9	10	15	20	M2.6	5	5.8						
		5.5	5	6	7	8	9	10	11	12	13	14	15	16	17	18	20	M3

- ⓘ *B Dimensions 4 and 5 are only applicable to SLCB and SLCG.
- ⓘ Anti-rust Oil is applied to posts with black oxide and electroless nickel plating finish.
- ⓘ When L≤Mx6, the Pilot Hole for Both Ends Tapped Type may go through.
- ⓘ For One End Threaded and One End Tapped Type, when L dimensions is 5 and 6, then ℓ dimension is 3 and 4 respectively.


Part Number Example

Part Number	-	L
BSLCB 5.5	-	12
SLCB 5	-	20

Hexagonal Posts

Both Ends Tapped

Hexagonal Posts – Both Ends Tapped

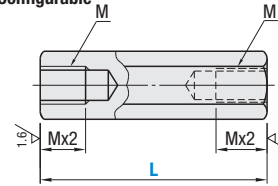


RoHS 10

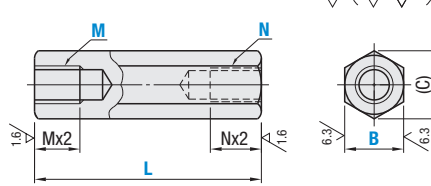
Type			Material	Surface Treatment
L Dimension Selectable	L Dimension Configurable	L Dimension, Thread Diameter Configurable		
—	NLSFB	NLSBF	1018 Carbon Steel or Equivalent	—
LSBRK	LSFB	LSBF		Black Oxide
PLSBRK	PLSFB	PLSBF		Electroless Nickel Plating
—	BLSFB	BLSBF	304 Stainless Steel	Trivalent Chromate (Black)
SLSBRK	SLSBFA	SLSBF		—
—	ALSFB	ALSBF	2011-T8 Aluminum Alloy	Clear Anodize

$25 / (6.3 / 1.6 /)$

L Dimension Selectable



L Dimension / Thread Diameter Configurable



ⓘ Anti-rust Oil is applied on 1018 Carbon Steel or Equivalent products.
 ⓘ Trivalent Chromate (Black) may not always be fully deposited on internal tapped threads.

L Dimension Selectable

Part Number	Type	L (Dimension Selection)																	M (Coarse)	(C)	
		B																			
1018 Carbon Steel or Equivalent	6	15	20	25	30	35	40	45	50	60	70	80	90	100	110	120	130	140	150	3	6.9
	7	20	25	30	35	40	45	50	60	70	80	90	100	110	120	130	140	150	200	4	8.1
	8	20	25	30	35	40	45	50	60	70	80	90	100	110	120	130	140	150	200	5	9.2
	LSBRK	10	25	30	35	40	45	50	60	70	80	90	100	110	120	130	140	150	200	6	11.5
	PLSBRK	12	25	30	35	40	45	50	60	70	80	90	100	110	120	130	140	150	200	6	13.9
304 Stainless Steel	13	35	40	45	50	60	70	80	90	100	110	120	130	140	150	200	8	15.0			
	14	35	40	45	50	60	70	80	90	100	110	120	130	140	150	200	8	16.2			
	17	40	45	50	60	70	80	90	100	110	120	130	140	150	200	10	19.6				
	SLSBRK	19	40	45	50	60	70	80	90	100	110	120	130	140	150	200	12	21.9			
			50	60	70	80	90	100	110	120	130	140	150	200							

L Dimension Configurable

Part Number	Type	B	L		M (Coarse)	(C)
			0.5 mm Increment			
1018 Carbon Steel or Equivalent	*5	8-50	2.6	5.8		
	6	8-50	3	6.9		
	7	10-150	4	8.1		
	8	15-250	5	9.2		
	LSFB	10	25-350	6	11.5	
304 Stainless Steel	PLSFB	12	25-400	6	13.9	
	BLSFB	13	30-400	8	15.0	
	14	25-500	8	16.2		
	SLSBFA	17	40-500	10	19.6	
	19	50-500	12	21.9		
2011-T8 Aluminum Alloy	24	50-600	16	27.7		
	27	60-700	20	31.2		
	30	60-800	20	34.6		
	ALSFB	32	75-800	24	36.9	

- ⓘ When L≤Mx4, tapped hole goes through
- ⓘ When L≤Mx6, the pilot hole may go through.
- ⓘ *B=5 is not available for 2011-T8 Aluminum Alloy.

L Dimension, Thread Diameter Configurable

Part Number	Type	B	L	M (Coarse) / N (Coarse) Selection		(C)				
				0.5 mm Increment						
1018 Carbon Steel or Equivalent	*5	8-50	2	2.6		5.8				
	6	15-50	3	4		6.9				
	7	15-150	3	4	5	8.1				
	8	20-250	3	4	5	6	9.2			
	LSBF	10	25-350	4	5	6	8	11.5		
304 Stainless Steel	PLSBF	12	25-400	4	5	6	8	13.9		
	BLSBF	13	30-400	4	5	6	8	10	15.0	
	14	30-500	4	5	6	8	10	16.2		
	SLSBF	17	40-500	5	6	8	10	12	19.6	
	19	50-500	5	6	8	10	12	16	21.9	
2011-T8 Aluminum Alloy	24	60-600	6	8	10	12	16	20	27.7	
	27	60-700	6	8	10	12	16	20	31.2	
	30	75-800	6	8	10	12	16	20	24	34.6
	ALSBF	32	75-800	6	8	10	12	16	20	24

- ⓘ L≥Mx2+Nx2
- ⓘ *B=5 is not available for 2011-T8 Aluminum Alloy.

Part Number Example

Part Number - L - M - N

(L Dimension Selectable) **LSBRK13 - 100**

(L Dimension Configurable) **LSFB6 - 48**

(L Dimension / Thread Diameter Configurable) **LSBF10 - 200 - M4 - N6**

L dim. tolerance is normally:
 L 8-300 ±0.2
 L300.5-600 ±0.3
 L600.5-800 ±0.4

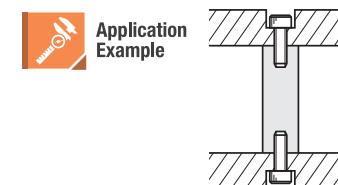
However when L≤200, all simultaneously produced pieces in a lot will have L dim. tolerance of ±0.02 or better.
 ⓘ Except L Dimension Selectable

Part Number Alterations

Part Number - L - M - N - (LKC)

LSFB6 - 42 - LKC

LSBF10 - 200 - M4 - N6 - LKC



Alterations	Code	Spec.
L Dimension Tolerance	LKC	L Dimension tolerances are as follows: Ordering Code: LKC
Full Length (L Dimension) Precision	LVC	When ordering multiple, each L dimension variation will be within ±0.02mm Ordering Code: LVC ⓘ Applicable only for L≤200 and less than 10 orders for 1 itemized line. ⓘ Not available for L Dimension Selectable Type.
Effective Length of Tapped Thread	MD ND	Change the effective length of the tapped thread portion to M (or N) x 3. Ordering Code: MD6/ND6 (Change M to MD, and N to ND) ⓘ MD x 4 + ND x 4 ≤ L ⓘ Applicable only for L Dimension, Thread Dia. Configurable type. ⓘ Not available for B=5

- ⓘ Applicable to L Dimension Configurable Type and L Dimension, Thread Diameter Configurable Type.