

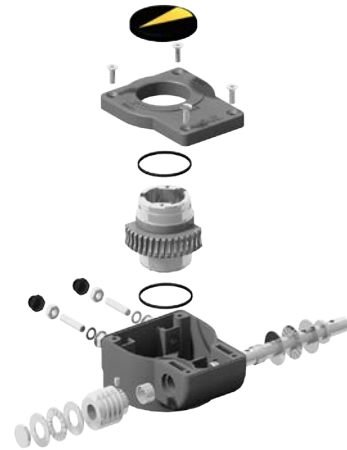
# GB232 - Gearbox, body aluminium

## Description

Quarter turn gearbox handoperated with cast aluminium housing  
Polyurethane coated

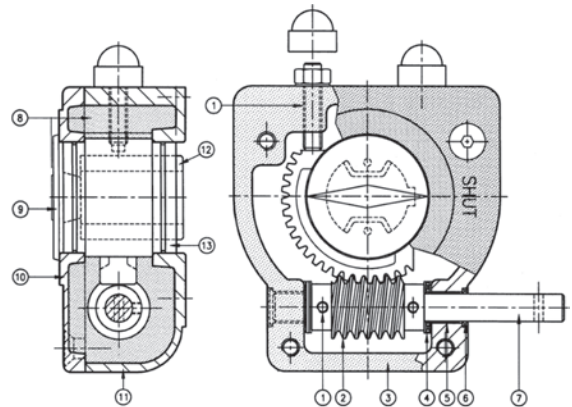
## Product features

- Valve connection            Mounting face for valves according to EN ISO 5211
- Torque                            125 - 1500 Nm
- Temperature range            -20°C ÷ +120°C
- Stroke                            0-90° (±5° adjustable)
- Lubrication                    Factory lubricated for the life of actuator under normal working conditions
- Protection class                IP65



## Construction

1	Set screw	Steel 8.8
2	Worm	Steel C45
3	Gasket	NBR
4	Needle bearing	
5	Plain bearing	Permaglide
6	Seal ring	Nitrile
7	Shaft	Stainless steel
8	Grease	Multipurpose EP2
9	Position indicator	Polypropylene
10	Coverplate	Aluminium AL231
11	Body	Aluminium AL231
12	Insert	Sintered steel
13	Quadrant	GGG40



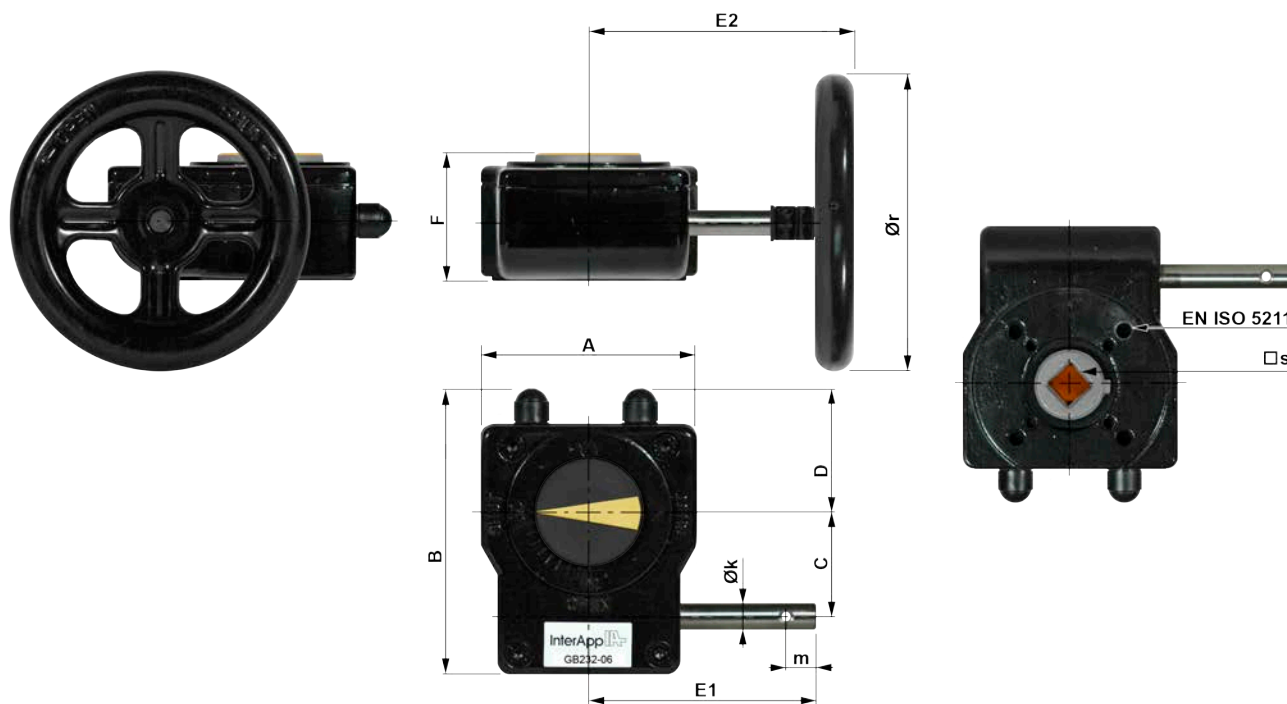
## Type code

<b>GB232-05</b>	<b>F05-F07</b>	<b>14</b>	<b>100</b>
<b>1</b>	<b>2</b>	<b>3</b>	<b>4</b>

<b>1 Actuator size</b>	<b>GB232-05</b>	125 Nm
	<b>GB232-06</b>	250 Nm
	<b>GB232-08</b>	500 Nm
	<b>GB232-13</b>	1000 Nm
	<b>GB232-14</b>	1500 Nm
<b>2 Mounting face for valve</b>	<b>F05 - F14</b>	according to EN ISO5211
<b>3 Shaft connection</b>	<b>[mm]</b>	Dimension of shaft connection
<b>4 Handwheel diameter</b>	<b>[mm]</b>	



## Dimensions



	EN ISO5211	□s	Ør	Md max	A	B	C	D	E1	E2	F	Øk	m	n*	[kg]
GB232-05	F05-F07	11 / 14	100	125 Nm	80	114	42,5	48	105	121	53	12	14	10	0,8
			160							129					
GB232-06	F05-F07	14 / 17	160	250 Nm	80	114	42,5	48	155	179	59	12	14	10	0,9
GB232-08	F07-F10	17 / 22	250	500 Nm	100	131	50	56	170	209	67	12	14	9,25	1,55
GB232-13	F10-F12 / F14	22 / 27	300	720 Nm	175	209	80	83	280	361	84	20	24	10	5,4
			400	960 Nm						376					
			500	1000 Nm						396					
GB232-14	F10-F12 / F14	22 / 27 / Ø45	500	1200 Nm	175	209	80	83	280	396	84	20	24	10	5,4
			600	1440 Nm						396					
			700	1500 Nm						396					

\* n = Handwheel turns ON/OFF

### Maintenance:

The actuators are factory lubricated for the life of the actuator under normal working conditions. The standard lubricant is suitable for use from - 20°C to + 120°C.

### Storage:

The actuator should always be stored free from dust and humidity.

**InterApp AG**  
 Grundstrasse 24  
 CH-6343 Rotkreuz  
 Phone +41 (0) 41 7982233  
 Fax +41 (0) 41 7982234  
 info@ch.interapp.net

**InterApp Ges.m.b.H.**  
 Kolpingstrasse 19  
 A-1230 Wien  
 Phone +43 (0) 1 6162371-0  
 Fax +43 (0) 1 6162371-99  
 info@at.interapp.net

**InterApp Italiana**  
 Via Gramsci 29  
 I-20016 Pero (MI)  
 Phone +39 02 339371  
 Fax +39 02 33937200  
 info@it.interapp.net

**InterApp GmbH**  
 Schillerstrasse 50  
 D-42489 Wülfrath  
 Phone +49(2058) 8909250  
 Fax +49(2058) 8909255  
 info@de.interapp.net

**AVK Válvulas S.A.**  
**InterApp Válvulas S.A.**  
 Poligono Industrial Francoli, parcela 27  
 E-46006 Tarragona  
 Phone +34 977 543 008  
 Fax +34 977 541 622  
 avk@avkvalvulas.com