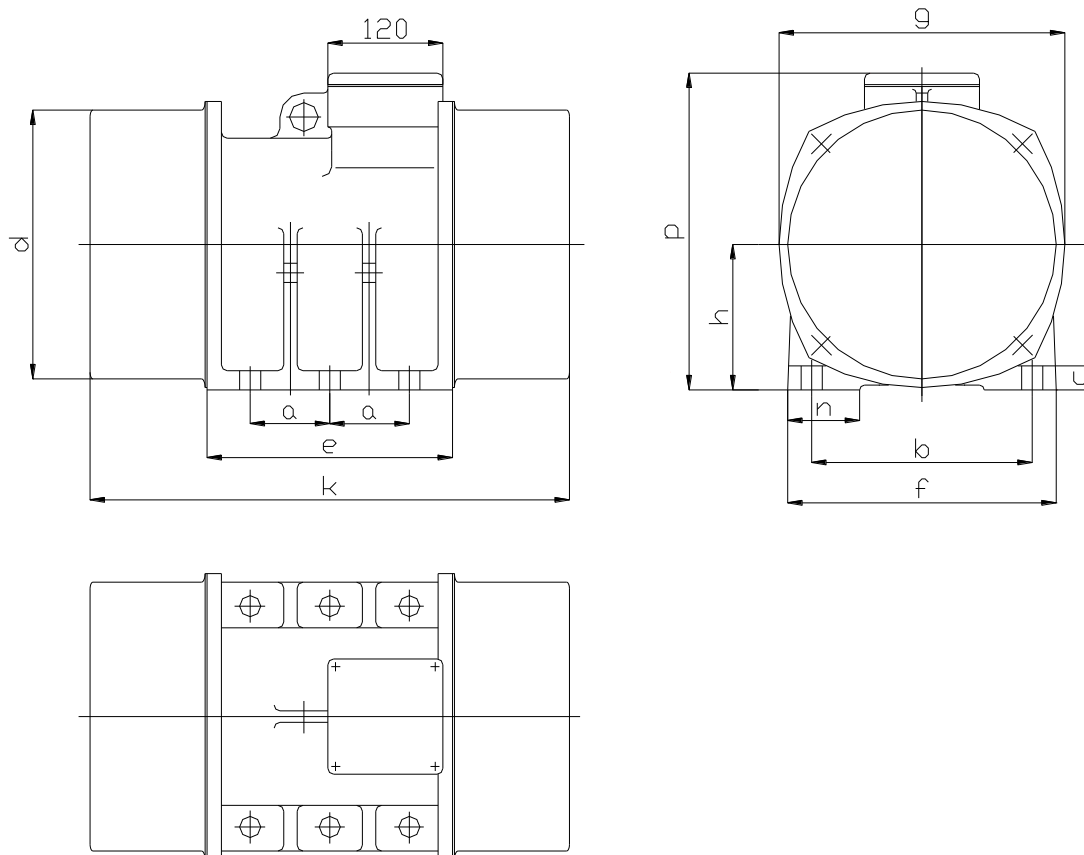


| | | |
|-----------|-------------------|---|
| VT | Datenblatt |  |
| | Data sheet | |

Type **F 1300-6-7.1**
Type **FHE 1300-6-7.1**
Type **FT 1300-6-7.1**
Type **FTHE 1300-6-7.1**



Maße / Dimensions [mm]

| a | b | c | d | e | f | g | h | k | n | p |
|-----|-----|----|-----|-----|-----|-----|-----|-----|----|-----|
| 118 | 280 | 30 | 320 | 370 | 340 | 340 | 185 | 910 | 90 | 390 |

Technische Daten / Technical data

| Spannung Voltage | Frequenz Frequency | Leistungs- aufnahme Power consumption | Nennstrom Nominal current | Leistungsfaktor Power factor | Anzugsmoment Starting current ratio |
|---------------------|-----------------------|--|------------------------------|---------------------------------|---|
| [V] | [Hz] | [kW] | [A] | cos φ | I_A / I_N |
| 220/380 | 50 | 4,00 | 15,04 / 8,71 | 0,84 | 7,5 |

| Fliehkraft Centrifugal force | Arbeitsmoment Working moment | Befestigungs- Schrauben Hexagon screw | Gewicht weight | Drehzahl RPM |
|------------------------------------|------------------------------------|---|-------------------|-----------------|
| [N] | [kgcm] | | [kg] | [1/min] |
| 71290 | 1300 | 6 x M24 | 285 | 1000 |