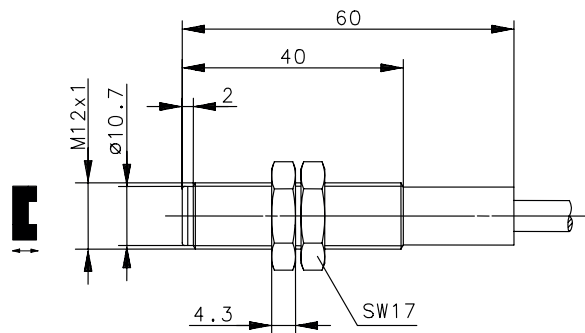
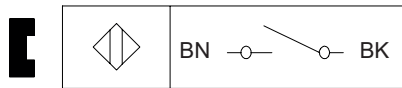


Magnetic Switch Series MAK-28

Description **MAK-2812-D-3**

Article number **6316228703**

Wiring diagram



Technical data

Switching function	N.O.
Reference magnet	T-62 N/S (6301262074)
Assured operating distance - ON	S_{ao} 29 mm
Repeat accuracy	R $\pm 0,1$ mm, under same geometrical conditions at the same temperature
max. Release point	40 mm

Electrical data

Max. voltage	30 V AC / 60 V DC
Max. switching current	0,25 A
Max. switching capacity	5 VA
Protection class acc. to EN IEC 61558	III (safety extra-low voltage)
Note	Combinations of switching voltage and switching current must not exceed the maximum switching capacity.

Mechanical data

Enclosure	PA 6, red; encapsulated reed contact
Temperature range	-25 °C ... +70 °C (cable fixed)
Mechanical life	3×10^8 operating cycles
Protection type	IP67 acc. EN 60529 (NEMA 4)
Termination type	Cable 2 x AWG 20 x 3 m ± 5 %; PVC -outer jacket black
Assembly position	optional (assembly on ferromagnetic material means reduction of switch distance)

Standards
EN 60947-5-1
EN 62246-1
EU Conformity
acc. to directive 2011/65/EU (RoHS-directive)
Approvals
UL Listed, Ind. Cont. Eq. / Class 2 Power source
Notes
Contact protection must be provided for inductive and capacitive loads.