



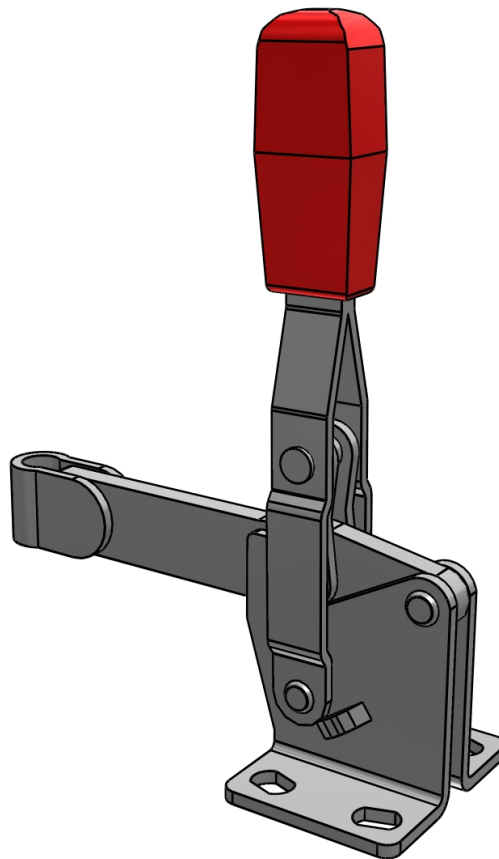
Toggle clamp GN 810-330-E (closed)

Toggle clamps, Type E, Solid bar version with clasp



3D View

To activate the interactive 3D view, you must trust this document (see hint on the top) in Adobe Acrobat and click on the question mark.



Zoom

Moves you toward or away from objects in the scene when you drag vertically. You can also zoom with the hand tool by holding down Shift as you drag.



Pan

Moves the model vertically and horizontally only. You can also pan with the hand tool: Ctrl-drag.



Rotate

Turns 3D objects around relative to the screen. How the objects move depends on the starting view, where you start dragging and the direction in which you drag.



eCATALOGsolutions



BIM catalogs.net



PARTsolutions



Create Your Individual 3D PDF Datasheet



Learn How to Create Your Mechanical Product Catalog



Learn How to Create Your BIM Product Catalog



Reduce Your Costs in Engineering and Purchasing



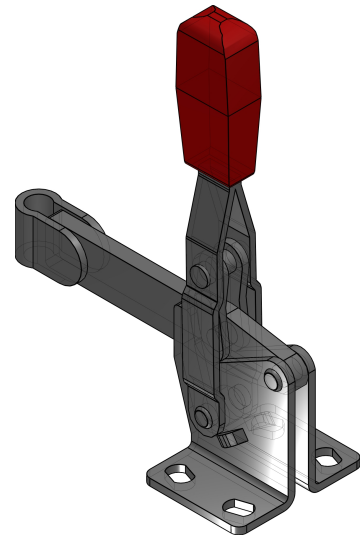
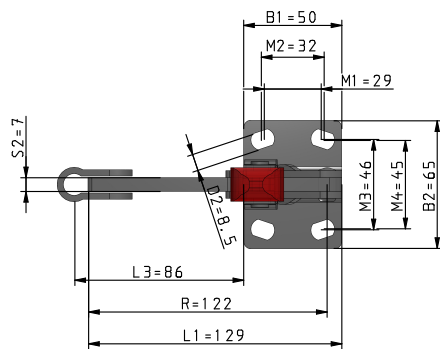
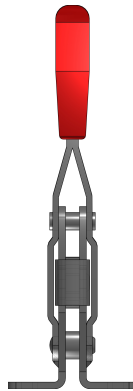
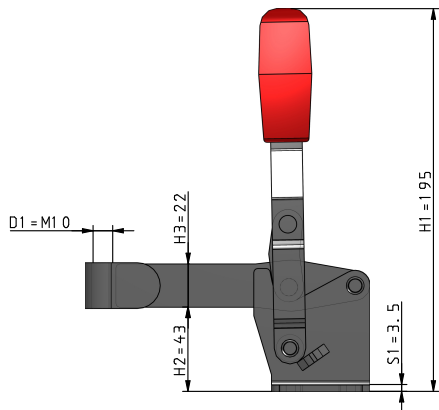
Toggle clamp GN 810-330-E (closed)

Toggle clamps, Type E, Solid bar version with clasp



2D derivation

ISO View





eCATALOGsolutions



BIM catalogs.net



PARTsolutions



Create Your Individual 3D PDF Datasheet



Learn How to Create Your Mechanical Product Catalog



Learn How to Create Your BIM Product Catalog



Reduce Your Costs in Engineering and Purchasing

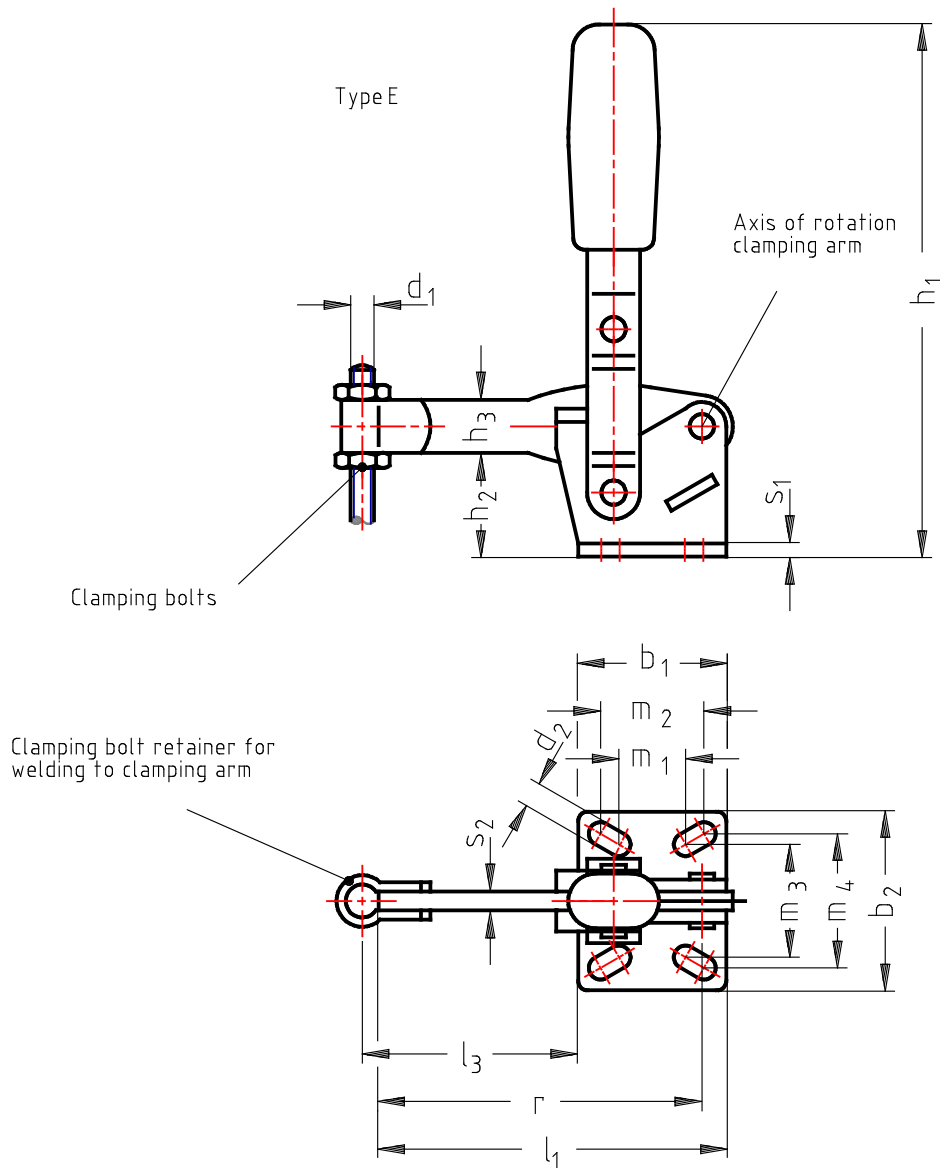


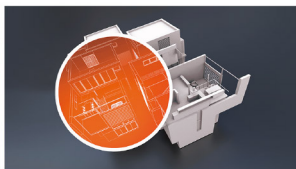
Toggle clamp GN 810-330-E (closed)

Toggle clamps, Type E, Solid bar version with clasp



Technical drawings





Toggle clamp GN 810-330-E (closed)

Toggle clamps, Type E, Solid bar version with clasp



Technical Data

PARTNUMBER (E+G PARTNUMBER)	GN 810-330-E
GROSSE (Size / mm)	330
F (Holding force / N)	2400
POS (Position)	closed
B1 (/ mm)	50
B2 (/ mm)	65
D1 (Thread)	M10
D2 (- / mm)	8.5
H1 (- / mm)	195
H2 (/ mm)	43
H3 (/ mm)	22
L1 (- / mm)	129
L3 (max. / mm)	86
M1 (/ mm)	29
M2 (/ mm)	32
M3 (/ mm)	46
M4 (/ mm)	45
R (- / mm)	122
S1 (/ mm)	3.5
S2 (/ mm)	7
WEIGHT (Weight / kg)	0.58
CTN (Customs Tariff Number)	82057000
ROHS ()	YES
INFOEG (Product details)	Product details

3D PDF DATASHEET



 eCATALOG solutions




 BIM catalogs.net



 PART solutions



Create Your Individual 3D PDF Datasheet 

Learn How to Create Your Mechanical Product Catalog 

Learn How to Create Your BIM Product Catalog 

Reduce Your Costs in Engineering and Purchasing 

Toggle clamp GN 810-330-E (closed)

Toggle clamps, Type E, Solid bar version with clasp



Bill of Materials

N°	Description	Amount
1	Toggle clamp GN 810-330-E	1