

Field bus connections ▶ Link structure DDL

link structure DDL, S-design

▶ S-design ▶ Stand-alone bus coupler ▶ Field bus protocol: PROFIBUS DP / CANopen / DeviceNet / Interbus-S / PROFINET IO



00128826

Ambient temperature min./max.	+5 °C / +50 °C
Protection class	IP65
Operational voltage electronics	24 V DC
Electronics voltage tolerance	-20% / +20%
Operating voltage, actuators	24 V DC
Actuator voltage tolerance	0% / +10%
Total current for actuators	3 A
Data transfer bit	128 bit
Max. cable length	40 m
Max. number of DDL participants	14

Materials:

Housing Aluminum, Stainless steel, Polyarylamide

The delivered product may vary from that in the illustration.

Technical Remarks

- Max. current in 0 V line: 4 A
- You will find assignment schemes for the product in the operating instructions, or contact the nearest AVENTICS sales office.

Field bus protocol	Communication port Bus IN	Communication port Bus OUT	power supply	DDL OUT	Weight	Part No.
					[kg]	
PROFIBUS DP	Plug (male), M12x1, 5-pin, B-coded	Socket (female), M12x1, 5-pin, B-coded	Plug (male), M12x1, 4-pin, A-coded	Socket (female), M12, 5-pin	0.57	3375000250
CANopen	Plug (male), M12x1, 5-pin, A-coded	Socket (female), M12x1, 5-pin, A-coded	Plug (male), M12x1, 4-pin, A-coded	Socket (female), M12, 5-pin	0.716	R412008000
DeviceNet	Plug (male), M12x1, 5-pin, A-coded	Socket (female), M12x1, 5-pin, A-coded	Plug (male), M12x1, 4-pin, A-coded	Socket (female), M12, 5-pin	0.66	R412006999
Interbus-S	Plug (male), M12x1, 5-pin, B-coded	Socket (female), M12x1, 5-pin, B-coded	Plug (male), M12x1, 4-pin, A-coded	Socket (female), M12, 5-pin	0.67	3375000450
PROFINET IO	Socket (female), M12x1, 4-pin, D-coded	Socket (female), M12x1, 4-pin, D-coded	Plug (male), M12x1, 4-pin, A-coded	Socket (female), M12, 5-pin	-	R412013399

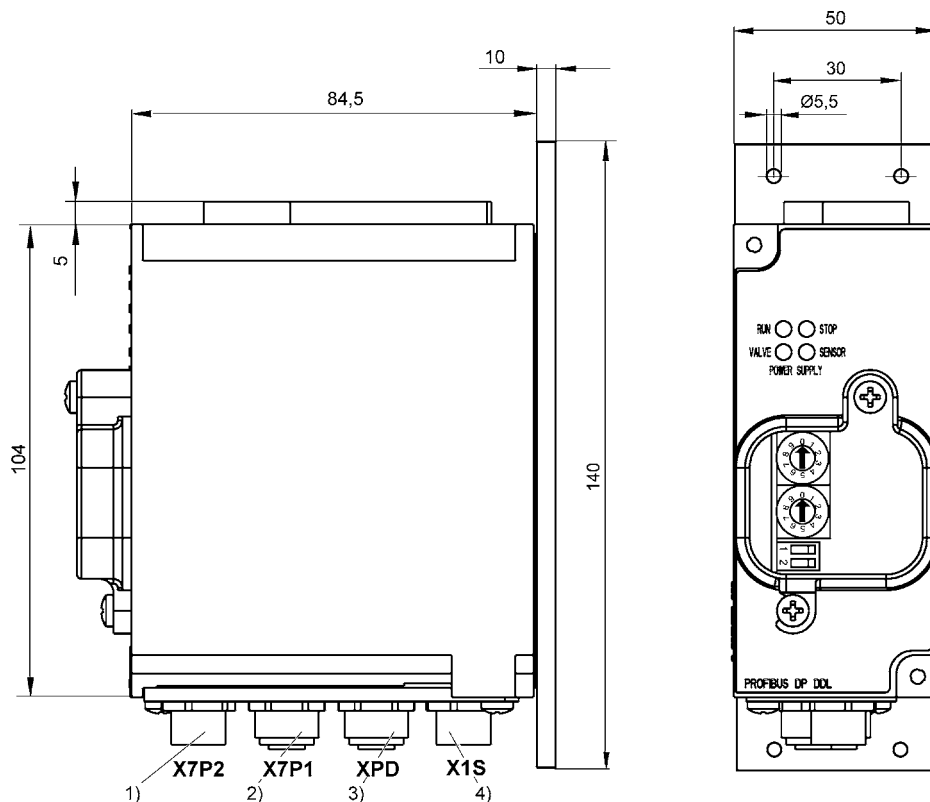
Part No.	Fig.	Note
3375000250	Fig. 1	1)
R412008000	Fig. 3	1)
R412006999	Fig. 5	1)
3375000450	Fig. 2	1)
R412013399	Fig. 4	-

1) II 3G Ex nA IIB T4 Gc X
 The following operating instructions can be found in the Media Center for:
 PROFIBUS DP: 8858904153
 CANopen: R412008077
 DeviceNet: R412008234
 Interbus-S: 8858904143
 PROFINET IO: R412013605

link structure DDL, S-design

▶ S-design ▶ Stand-alone bus coupler ▶ Field bus protocol: PROFIBUS DP / CANopen / DeviceNet / Interbus-S / PROFINET IO

Fig. 1



- 1) bus IN, M12x1, B-coded
- 2) bus OUT, M12x1, B-coded
- 3) DDL, M12, 5-pin
- 4) Power supply plug M12x1, 4-pin

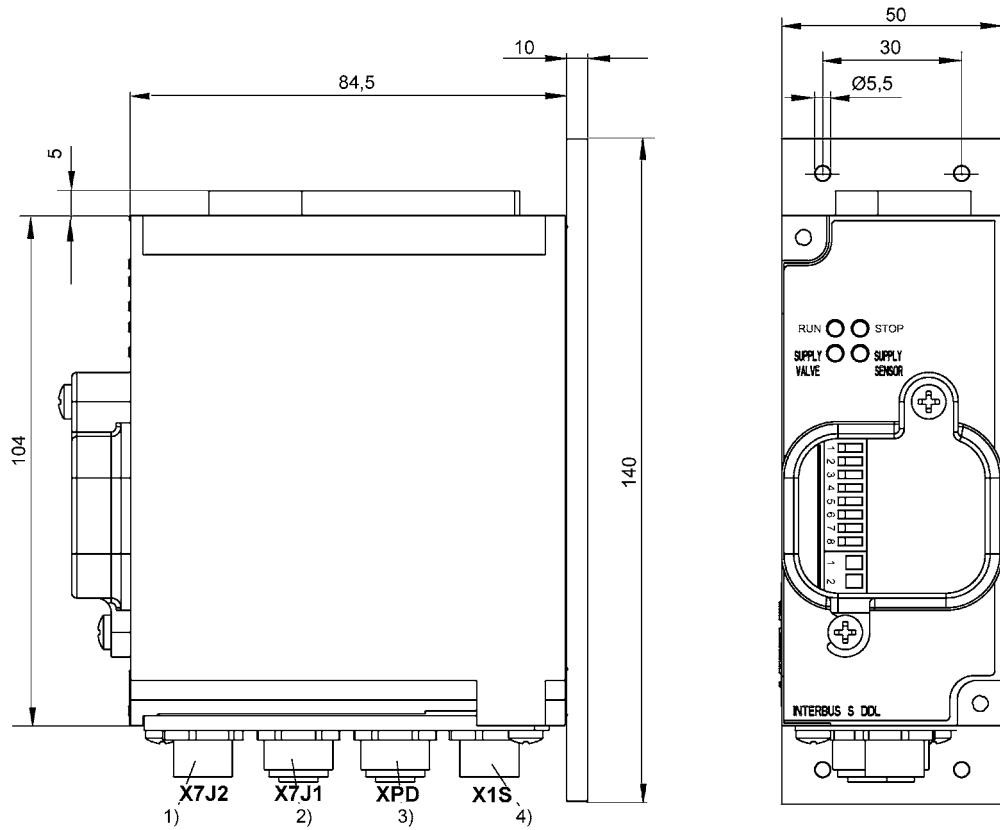
00117129

Field bus connections ▶ Link structure DDL

link structure DDL, S-design

▶ S-design ▶ Stand-alone bus coupler ▶ Field bus protocol: PROFIBUS DP / CANopen / DeviceNet / Interbus-S / PROFINET IO

Fig. 2



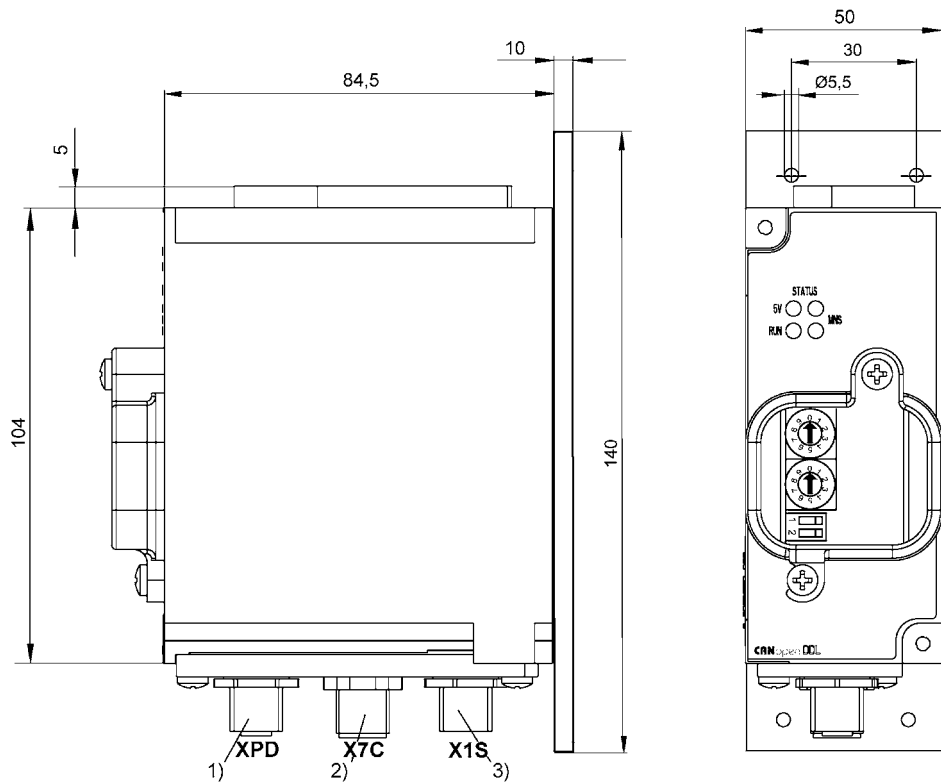
00117134

- 1) bus IN, M12x1, B-coded
- 2) bus OUT, M12x1, B-coded
- 3) DDL, M12, 5-pin
- 4) Power supply plug M12x1, 4-pin

link structure DDL, S-design

▶ S-design ▶ Stand-alone bus coupler ▶ Field bus protocol: PROFIBUS DP / CANopen / DeviceNet / Interbus-S / PROFINET IO

Fig. 3



00131838

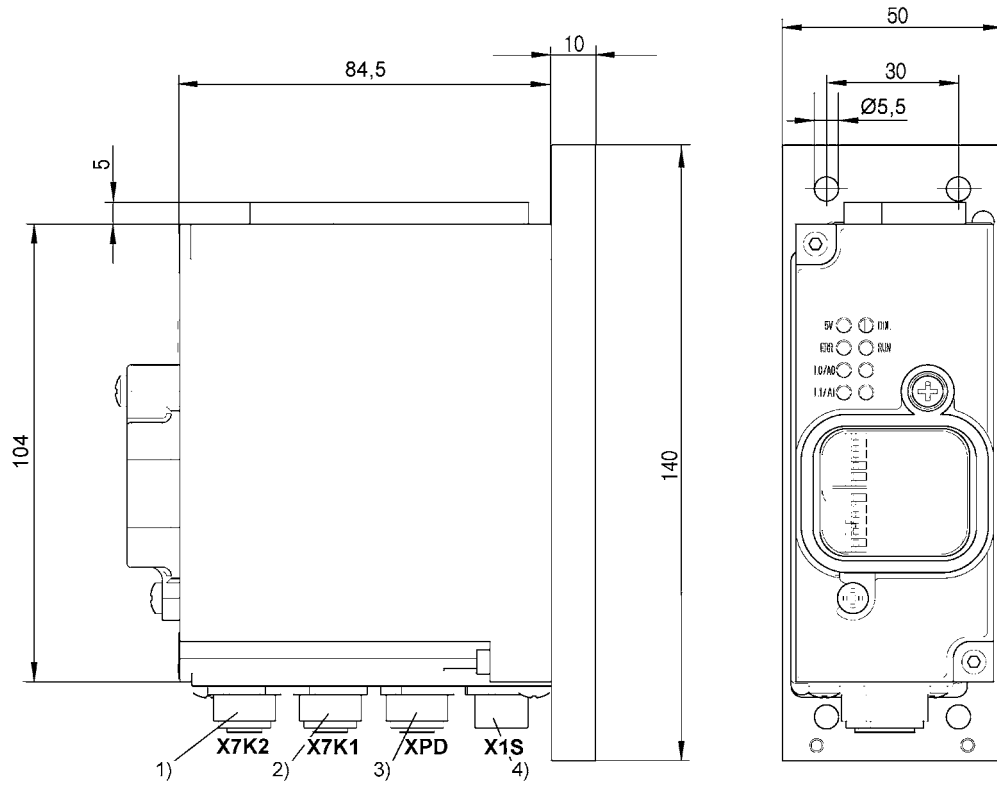
- 1) DDL, M12, 5-pin
- 2) Bus, M12x1, A-coded, 5-pin
- 3) Power supply plug M12x1, 4-pin

Field bus connections ▶ Link structure DDL

link structure DDL, S-design

▶ S-design ▶ Stand-alone bus coupler ▶ Field bus protocol: PROFIBUS DP / CANopen / DeviceNet / Interbus-S / PROFINET IO

Fig. 4



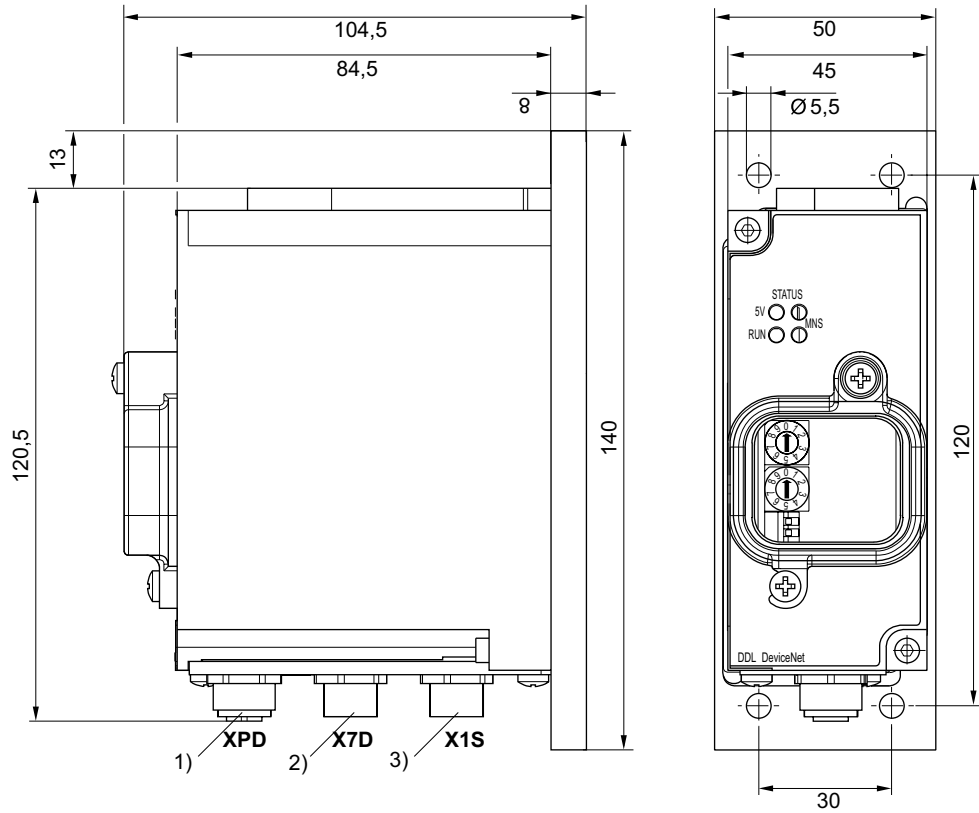
00124628

- 1) bus IN, M12x1, D-coded
- 2) Bus OUT, M12x1, D-coded
- 3) DDL, M12, 5-pin
- 4) Power supply plug M12x1, 4-pin

link structure DDL, S-design

▶ S-design ▶ Stand-alone bus coupler ▶ Field bus protocol: PROFIBUS DP / CANopen / DeviceNet / Interbus-S / PROFINET IO

Fig. 5



00135845

- 1) DDL, M12, 5-pin
- 2) Bus, M12x1, 5-pin
- 3) Power supply plug M12x1, 4-pin