



PK3 series

M18 DECOUT®
cylindrical inductive sensors



M18 DECOUT®
cylindrical

features

- Wide range of models: standard, long distance, DECOUT® output
- Output: cable, M12 and plug cable exit
- Models with 4 wires
- ATEX models, cat. 3, available on request
- Special models with double enclosure immersion proof (IP 68)
- Models with complementary output (NO+NC)



web contents



- Application notes
- Photos
- Catalogue / Manuals



code description (*)

		PK	3	/	0	0	-	1	A
series	PK	M18 special inductive proximity switch							
DECOUT®	3	DECOUT® Interface							
DECOUT®	0	DECOUT® NO/NC selectable							
DECOUT®	0	DECOUT® PNP/NPN Configurable							
distance	1	Shielded standard 5 mm							
	2	Unshielded standard 8 mm							
connect.	A	Axial cable exit							
	H	M12 plug cable exit							

(*) ATEX models available, contact our Sales Dept. for further information.

available models



DECOUT® models

diameter	installation	distance	plug	distance	NO/NC - PNP/NPN
M18	shielded	standard	cable	5 mm	PK3/00-1A
			M12		PK3/00-1H
	unshielded		cable	8 mm	PK3/00-2A
			M12		PK3/00-2H

correction factors

code	steel FE 360	copper	alluminium	brass	stainless steel
PK3/00-1*	1	0.4	0.48	0.72	0.86
PK3/00-2*	1	0.45	0.53	0.56	0.77

PK3

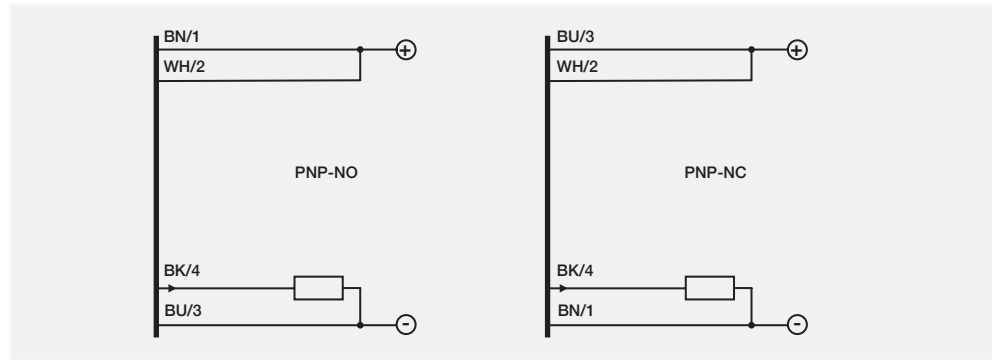
	PK3/00-1*	PK3/00-2*
		
nominal sensing distance Sn	5 mm	8 mm
operating distance	0...4 mm	0...6.5 mm
hysteresis	1...20%	
standard target	18x18 mm FE 360	24x24 mm FE 360
repeatability	5%	
operating voltage	10...30 Vdc	
output type	NPN/PNP - NO/NC	
max ripple content	≤ 10%	
output current	≤ 100 mA	
output voltage drop	≤ 1.2 V @ 100 mA	
no-load supply current	30 mA	
leakage current	10 µA	
switching frequency	0.3 kHz	
power on delay	100 ms	
ambient temperature range	-25...+70 °C	
temperature drift of Sr	10%	
short-circuit protection	●	
voltage reversal protection	●	
induction protection	●	
shocks and vibrations	IEC 60947-5-2 / 7.4	
weight	58 g connector 130 g cable	
LEDs	output state	
protection degree	IP 67 ⁽¹⁾ (EN60529)	
EMC	in conformity with the EMC Directive according to IEC 60947-5-2	
housing material	nickel-plated brass	
active head material	PBT	
connection	cable 2 m PVC - plug M12	
tightening torque	25 Nm	

⁽¹⁾ Protection guaranteed only with plug cable well mounted

electrical diagrams of connections

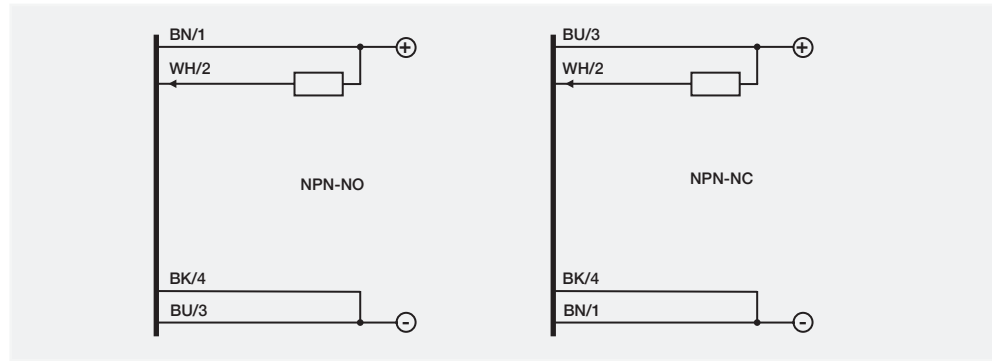
PK3 DECOU versions

PNP-NO/NC



- BN** brown
- BU** blue
- BK** black
- WH** white

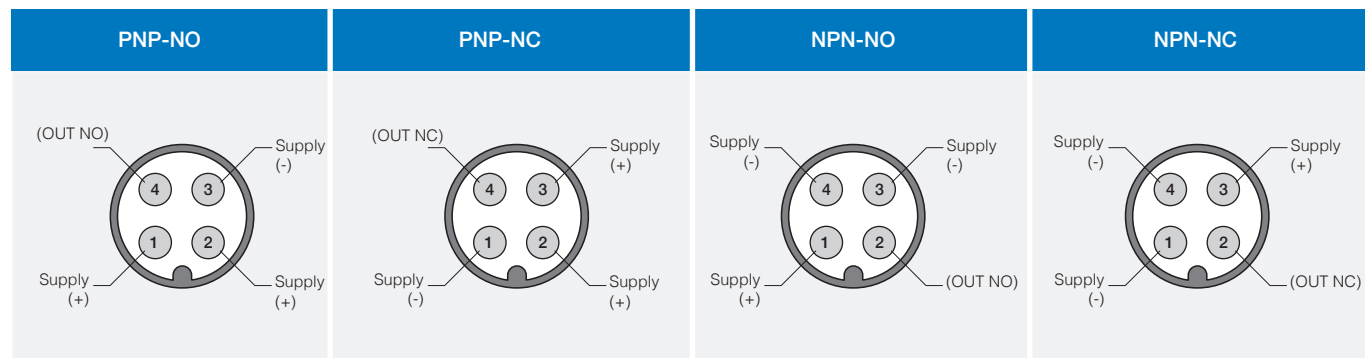
NPN-NO/NC



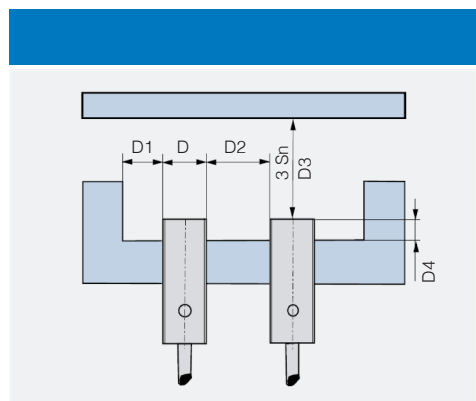
- BN** brown
- BU** blue
- BK** black
- WH** white

plug

PK3 DECOU[®] versions



installation



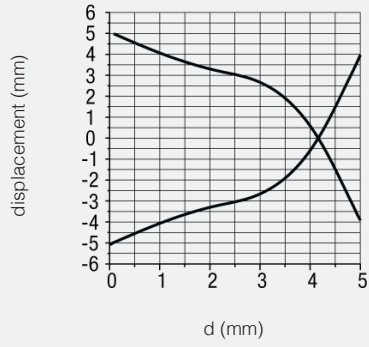
code	D4	D1	D2	D3
PK3/00-1*	≥ 0 mm	≥ 9 mm	≥ 18 mm	≥ 15 mm
PK3/00-2*	≥ 8 mm	≥ 18 mm	≥ 36 mm	≥ 24 mm



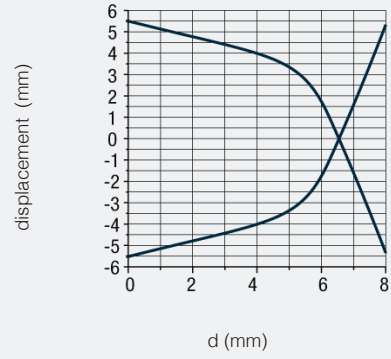
response diagram

M18 DECOUT®
cylindrical

PK3/00-1*

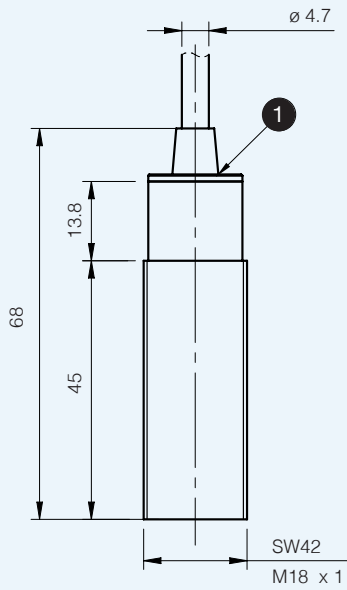


PK3/00-2*

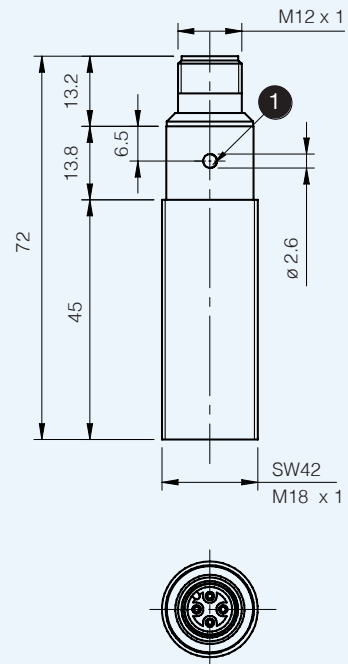


dimensions (mm)

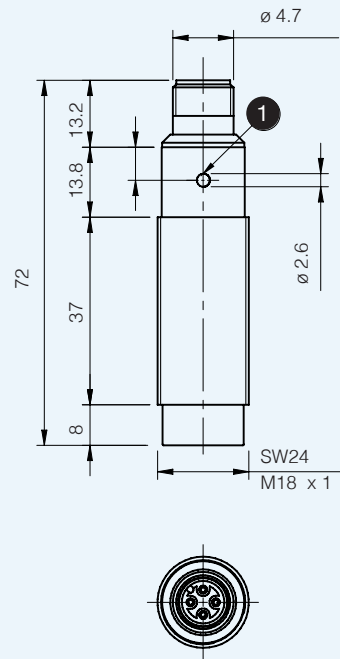
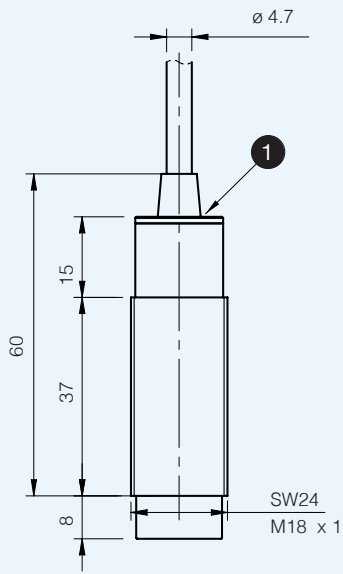
PK3/00-1A



PK3/00-1H



1 LED



1 LED

dimensions (mm)

accessories included

