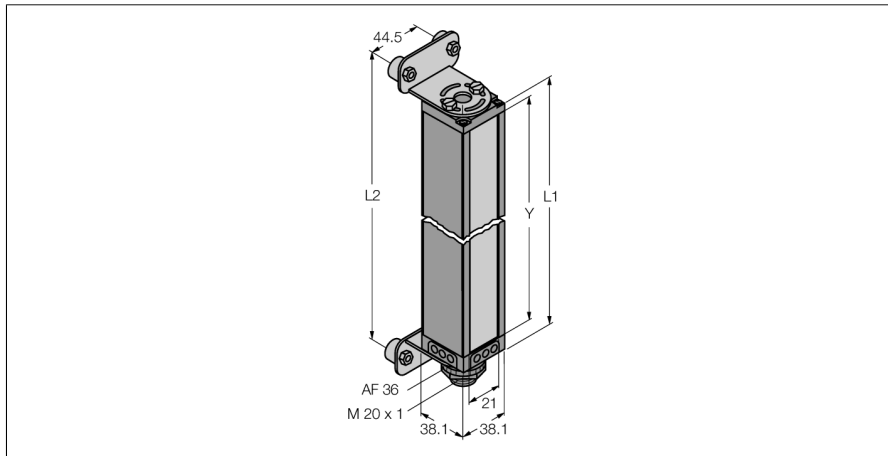


# Measuring Light Screen Receiver BMRL3032A



- Minimum target size 9.7 mm
- Scan field 743 mm
- Max. sensing range 6.1 m
- Operating voltage 11.8...12.2 VDC (from controller)
- Protection class IP65
- Adjustment via software

### Functional principle

Measuring light screens are ideally suited for precise detection and inspection tasks such as product profiling, sizing, edge and centre guiding, hole and parts detection and the like. Each system consists of an emitter, receiver and a controller module, which is equipped with several switching and analogue outputs, depending on the specific version. The device also enables data transmission via RS232 or R485, either in a binary or ASCII code format. The scan times depend on the height of the measuring array and the adjusted scan mode. Detailed information can be taken from the instruction manual.

<b>Type designation</b>	BMRL3032A
Ident no.	3039585
<b>Function</b>	Opposed mode sensor (receiver)
Optical resolution	9.7 mm
Scan field	752 mm
Number of beams	80
Ambient temperature	-20...+70 °C
<b>Operating voltage</b>	11.4...14 VDC
<b>Approvals</b>	CE
Approvals	cULus recognized
<b>Design</b>	Rectangular, Mini Array
Dimensions	38.1 x 38.1 x 810 mm
Housing material	Metal, AL
Lens	plastic, Acrylic
Electrical connection	Connector, 7/8"
Protection class	IP65