

Technical Data

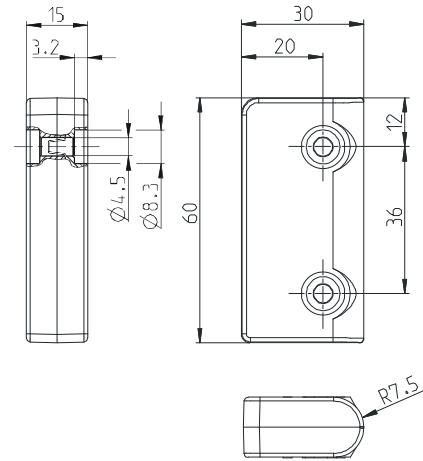
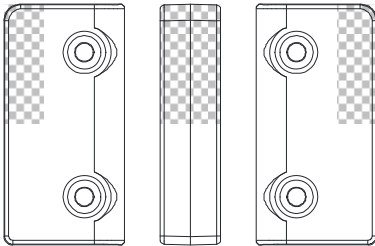
Safety switch

Series CSMS

Type designation **CSMS-S**

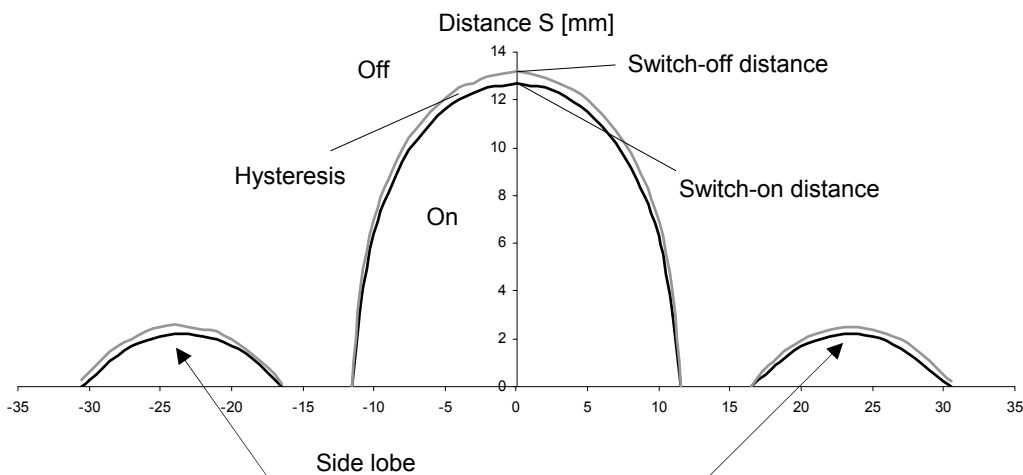
Article number **6075980023**

Active surfaces



Sensing distance (Only in conjunction with CSMS of the Bernstein AG – see page 2 „Use“.)

		min.	typ.	max.
Rated sensing distance	S_n		13 mm	
Assured sensing distance – On	S_{ao}	10 mm		
Hysteresis	H		0,5 mm	
Assured sensing distance – Off	S_{ar}			19 mm



Metal can influence the sensing distance.

This document will not become the contractual basis; the details included herein do not constitute any descriptions of expected conditions, so that warranties/claims for defects on account of possible variations of the actual qualities from the qualities described herein are explicitly excluded. All rights reserved. Specifications subject to change without notice!

Date of issue: 19.06.2012 / Page 1 of 2
Document : 6075980023_en.doc / Last update : 2 / 0221-12

Technical Data

Safety switch

Electrical Data

Transponder frequency	6,78 MHz
Repeatability	0,1 x S (within the limits Smin and Smax)
Operating frequency	≤ 1Hz
Electromagnetic interference	according to EN IEC 60947-5-2 and EN 61326-3-1

Mechanical Data

Enclosure	Macromelt, red / PA 6, black
Mounting	2 holes Ø 4,5 (for M4 screws)
Shock and Swing	acc. to EN IEC 60947-5-2
Ambient temperature	-25°C ... +70°C
Storage temperature	-25°C ... +70°C
Maximum relative humidity	90 % @ 40 °C without condensation
Altitude	≤ 2000 m NHN
Mass	27 g
Type of protection	IP67
Protection class acc. to EN IEC 61558	III
Pollution degree	3 (metallic pollution can cause impairments of the operating distances.)

Safety data (according to EN ISO 13849-1)

Up to PL	e
Category	4
Service life	20 years
MTTFd	High
SIL	3 (according to EN 62061:2005)

Standards

VDE 0660 T100, DIN EN 60947-1, IEC 60947-1
 VDE 0660 T200, DIN EN 60947-5-1, IEC 60947-5-1
 EN 50295, EN ISO 13849-1 (IEC/EN 61508,
 EN 60947-5-3)
 EN 300330-2

EU-Conformity

according to Directive 2006/42/EG
 according to Directive 2004/108/EG
 according to Directive 1999/5/EG

Approvals

TÜV Nord (being prepared)

Use

Article number	Type designation	Description - CSMS, can be switched in series,
6075985025	CSMS-M-RRS-U-KA	with return circuit and start button monitoring, cable version
6075986022	CSMS-M-RRS-U-ST	with return circuit and start button monitoring, M12 connector
6075985026	CSMS-M-R-U-KA	be connected to a safety monitoring device, cable version
6075986024	CSMS-M-R-U-ST	be connected to a safety monitoring device, M12 connector

This document will not become the contractual basis; the details included herein do not constitute any descriptions of expected conditions, so that warranties/claims for defects on account of possible variations of the actual qualities from the qualities described herein are explicitly excluded. All rights reserved. Specifications subject to change without notice!