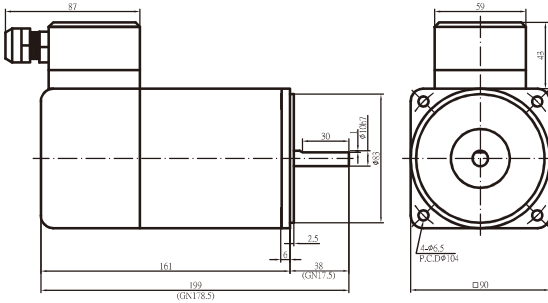


ELECTRO-MAGNETIC INDUCTION BRAKE MOTOR, TERMINAL BOX TYPE -IP54

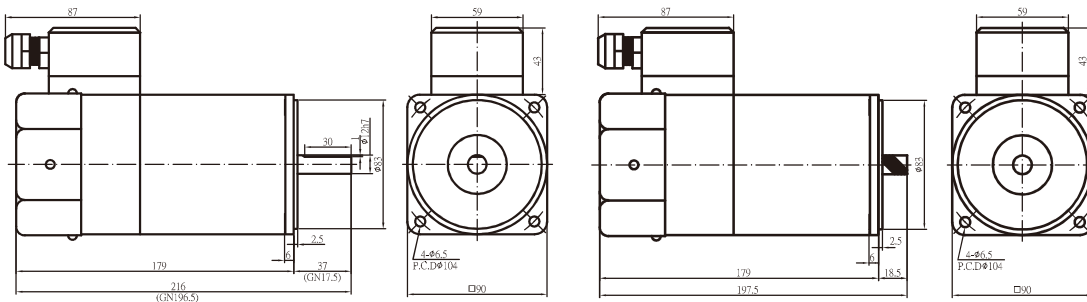
■ OUTLINE & SPECIFICATION
■ UNIT : mm

5IK60GN-UMTs DIMENSION



40W

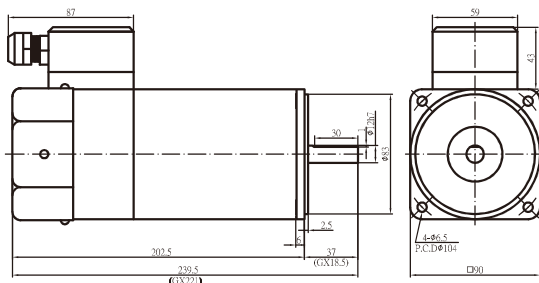
40W MODEL	OUTPUT (W)	VOLTAGE (V)	FREQ. (HZ)	POLE (P)	RATED SPEED (rpm)	RATED TIME	STARTING TORQUE (Kg.cm)	RATED TORQUE (Kg.cm)	RATED CURRENT (A)	CAPACITY (μF)
5IK40A(GN)-AMT	40	1φ100/110	50/60	4	1250/1600	30 /minutes	2.14/2.66	3.17/2.41	0.87/0.76	10/300V
5IK40A(GN)-CMT	40	1φ200/220	50/60	4	1300/1650	30 /minutes	1.75/2.17	3.01/2.35	0.4/0.34	2.5/450V
5IK40A(GN)-CEMT	40	1φ230/240	50	4	1350/1350	30 /minutes	2.3/2.58	2.87/2.84	0.32/0.32	2.5/450V
5IK40A(GN)-SMT	40	3φ220	50/60	4	1400/1600	30 /minutes	10.51/7.83	2.83/2.4	0.29/0.27	-
5IK40A(GN)-UMT	40	3φ380	50/60	4	1350/1600	30 /minutes	9.25/6.68	2.85/2.45	0.16/0.15	-



60W/60W-GX

60W/60W-GX MODEL	OUTPUT (W)	VOLTAGE (V)	FREQ. (HZ)	POLE (P)	RATED SPEED (rpm)	RATED TIME	STARTING TORQUE (Kg.cm)	RATED TORQUE (Kg.cm)	RATED CURRENT (A)	CAPACITY (μF)
5IK60A(GN)-AFMT 5IK60GX-AFMT	60	1φ100/110	50/60	4	1200/1650	30 /minutes	2.6/2.94	5.0/3.5	1.8/1.12	16/300V
5IK60A(GN)-CFMT 5IK60GX-CFMT	60	1φ200/220	50/60	4	1250/1600	30 /minutes	3.62/4.41	4.64/3.63	0.64/0.54	4/450V
5IK60A(GN)-CEFMT 5IK60GX-CEFMT	60	1φ220/240	50	4	1300/1350	30 /minutes	4.14/5.22	4.56/4.40	0.56/0.55	4/450V
5IK60A(GN)-SFMT 5IK60GX-SFMT	60	3φ220	50/60	4	1300/1550	30 /minutes	13.72/10.70	4.47/3.77	0.41/0.39	-
5IK60A(GN)-UFMT 5IK60GX-UFMT	60	3φ380	50/60	4	1400/1550	30 /minutes	14.33/10.15	4.2/3.79	0.21/0.22	-

5IK60GN-UMTs SPEC.



90W

90W MODEL	OUTPUT (W)	VOLTAGE (V)	FREQ. (HZ)	POLE (P)	RATED SPEED (rpm)	RATED TIME	STARTING TORQUE (Kg.cm)	RATED TORQUE (Kg.cm)	RATED CURRENT (A)	CAPACITY (μF)
5IK90A(GX)-AFMT	90	1φ100/110	50/60	4	1300/1650	30 /minutes	4.76/5.86	6.68/5.33	1.5/1.41	22/250V
5IK90A(GX)-CFMT	90	1φ200/220	50/60	4	1300/1650	30 /minutes	4.3/4.21	6.89/5.34	0.76/0.72	5/450V
5IK90A(GX)-CEFMT	90	1φ220/240	50	4	1350/1350	30 /minutes	4.93/5.08	6.44/6.42	0.66/0.68	5/450V
5IK90A(GX)-SFMT	90	3φ220	50/60	4	1400/1650	30 /minutes	23.3/18.25	6.4/5.3	0.7/0.6	-
5IK90A(GX)-UFMT	90	3φ380	50/60	4	1400/1650	30 /minutes	23.3/18.14	6.3/5.3	0.4/0.3	-

Products due to human error, natural disasters or other factors lead to poor or damaged, will not be covered under warranty.