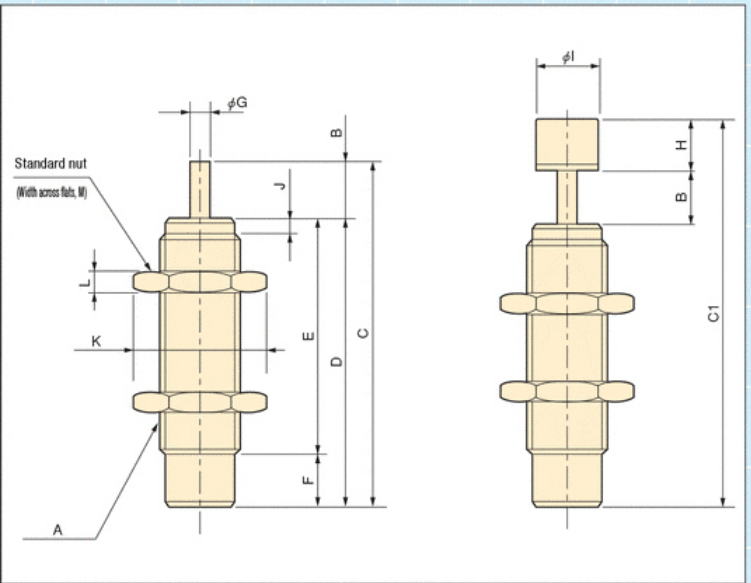


## Single-hole orifice structure

Fixed type

RoHS compliant products



### <Dimension table>

Model	A	B	C	C1	D	E	F	$\phi G$	H	$\phi I$	J	K	L	M
FA-0805SB*-S/C	M8×0.75	5	32	37	27	22	5	2	5	6	1.5	12.7	2	11
FA-1005PMB*-S/C	M10×1	5	32	39	27	22	5	3	7	6	1.5	14.2	3	13
FA-1008PB*-S/C	M10×1	8	46	53	38	33	5	3	7	6	1.5	14.2	3	13
FA-1210KB*-S/C	M12×1	10	60	68	50	45	5	3.5	8	8	1.5	16.2	4	14

### <Specifications>

Model	Stroke	Maximum absorption energy	Maximum equivalent mass	Maximum resistance force value	Absorption energy amount per minute	Piston rod return force	Mass
	mm	J (kgf·m)	kg (kgf)	N (kgf)	J/min (kgf·m/min)	N (kgf)	Without cap/with cap
FA-0805SB1-S/C	5	0.39 (0.04)	3 (3)	490 (50)	17.6 (1.8)	Less than 4.9(0.5) (0.5)	8.6/8.8
FA-0805SB2-S/C		0.68 (0.07)	5 (5)	588 (60)	22.5 (2.3)		
FA-1005PMB1-S/C	5	0.68 (0.07)	5 (5)	735 (75)	41.1 (4.2)	Less than 5.88(0.6) (0.6)	13.2/14.2
FA-1005PMB2-S/C		0.98 (0.1)	8 (8)				
FA-1008PB1-S/C	8	0.98 (0.1)	7 (7)	735 (75)	58.8 (6.0)	Less than 5.88(0.6) (0.6)	17.2/18.2
FA-1008PB2-S/C		1.47 (0.15)	10 (10)				
FA-1210KB1-S/C	10	1.96 (0.2)	15 (15)	1470 (150)	98 (10)	Less than 9.8(1.0) (1.0)	30.6/32.6
FA-1210KB2-S/C		2.45 (0.25)	30 (30)				

### <Common Specifications>

Collision speed range	m/s	0.3~1.0
Maximum used cycle	cycle/min	60(FA-0805 series is 45)
Usage temperature range	°C	-5~70

Note) FA-0805 series also has M8X1.0 for the main thread pitch specifications. Arrange with either model code FA-0805SB□-S-P1.0 or model code FA-0805SB□-C-P1.0.

However, there will be no corresponding optional parts.

Note) arrange by tagging it with -S when it is without the cap attached and -C when it is with the cap attached.

Note) Color of the cap for \*\*1 is white, and for \*\*2, it is black.

### <Precautions>

- \* Make sure to carefully read the handling manual of the product before using it.
- \* Make sure to use it together with the external stopper (Stopper nut OP-020\*\*).
- \* Do not turn the screw at the oil port at the bottom of the body.

- \* Sufficiently secure mounting strength of the product. (2~3 times of the maximum resistance force value of the catalog specification is as the guideline)
- \* Cannot be used in an environment where oil may spill or in a vacuum.
- \* Make sure that the eccentric load is not applied to the soft absorber.

(Permissible polarizing angle: within ±2.5 degrees)