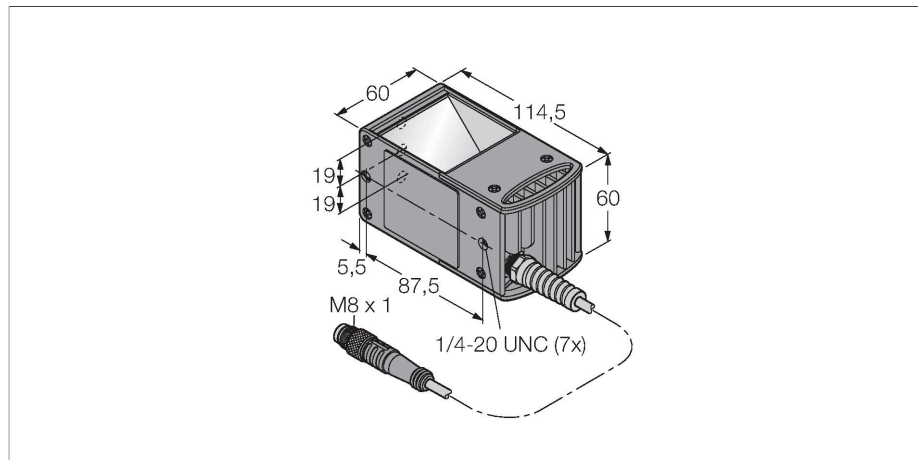


LEDRO50M-D

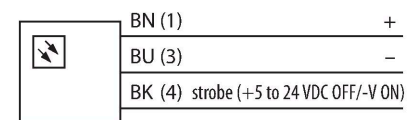
Vision System – Axial Lighting



Features

- Axial lighting
- Protection class: IP40
- Color: red
- Power supply: 24 VDC
- Pigtail M8x1, 0.6m

Wiring diagram



Technical data

Type	LEDRO50M-D
ID	3078310
Signal and display data	
Purpose	Image processing
Function	Area light
Light type	Red
Wavelength	620...630 nm
LED service life (L70)	20000 h
Features of color 1	Red
Electrical data	
Operating voltage	24 VDC
DC rated operational current	≤ 125 mA
Max. current consumption per color	125 mA
Mechanical data	
Design	Rectangular
Dimensions	147.8 x 59.8 x 59.3 mm
Housing material	Metal, Anodized AL
Window material	Acrylic, clear
Electrical connection	Cable with connector, M8 x 1, 0.6 m, PVC
Number of cores	3
Ambient temperature	0...+50 °C
Protection class	IP40
Tests/approvals	
Approvals	CE, cULus listed

Functional principle

Illumination coaxially integrated in the camera's beam path.