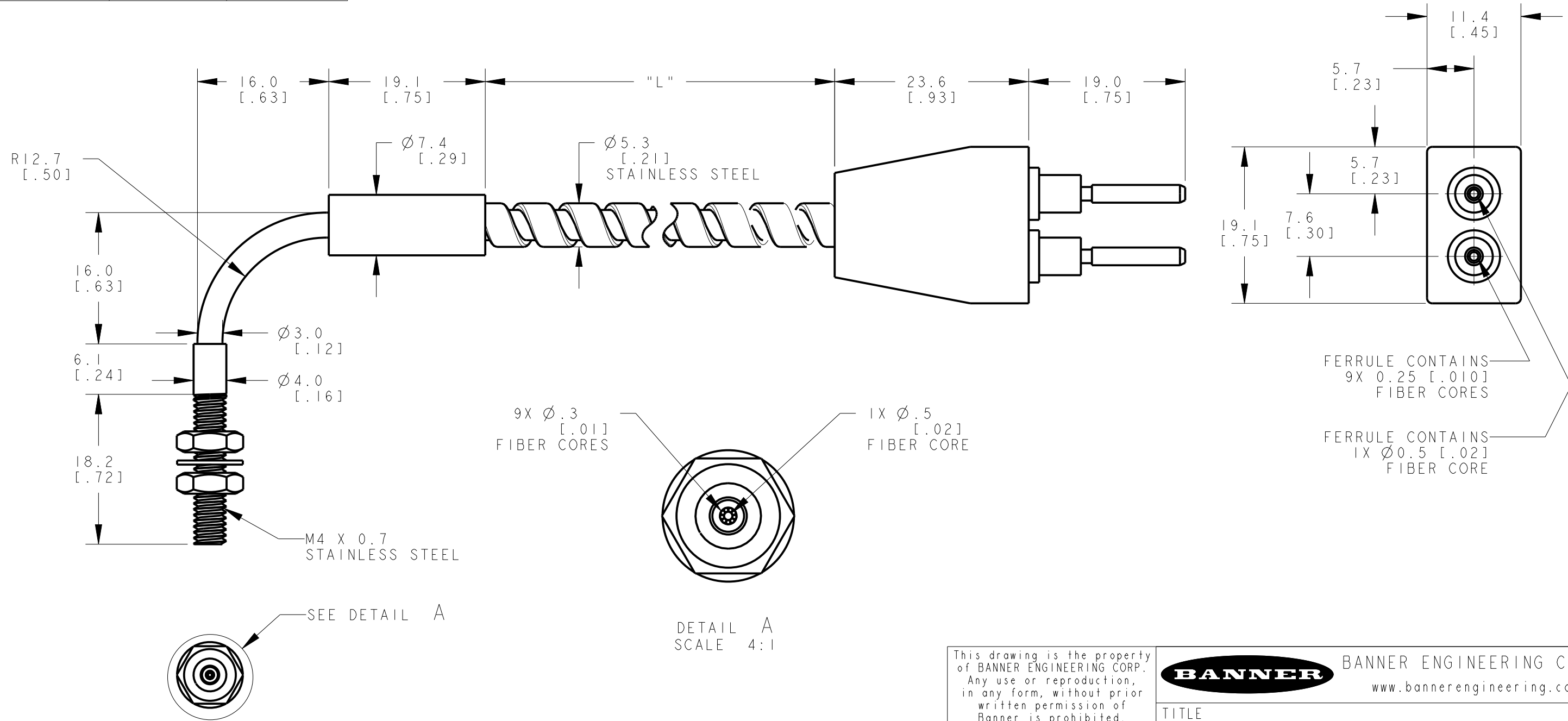


MODEL NO.	"L"	P/N
PBCAT26TS	2000 [79]	42895
PBCAT21TS	305 [12]	45080
PBCAT23TS	1000 [39]	48047



NOTES:
 1. ALL DIMENSIONS ARE MILLIMETERS [INCHES] UNLESS OTHERWISE NOTED.
 2. REFER TO "www.bannerengineering.com" FOR ADDITIONAL DATA AND SPECIFICATIONS.

This drawing is the property of BANNER ENGINEERING CORP. Any use or reproduction, in any form, without prior written permission of Banner is prohibited. © 2015 Banner Engineering Corp.

BANNER BANNER ENGINEERING CORP.
 www.bannerengineering.com

TITLE
PBCAT2 SERIES TERMINATED

THIRD ANGLE PROJECTION

SIZE B DRAWING NO. **193350** REV. **A**

SCALE 2:1 SHEET 1 OF 1

CREO