



Bernstein

Bernstein AG
Postfach 1164
D-32437 Porta Westfalica

Technical data sheet

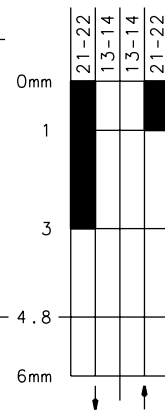
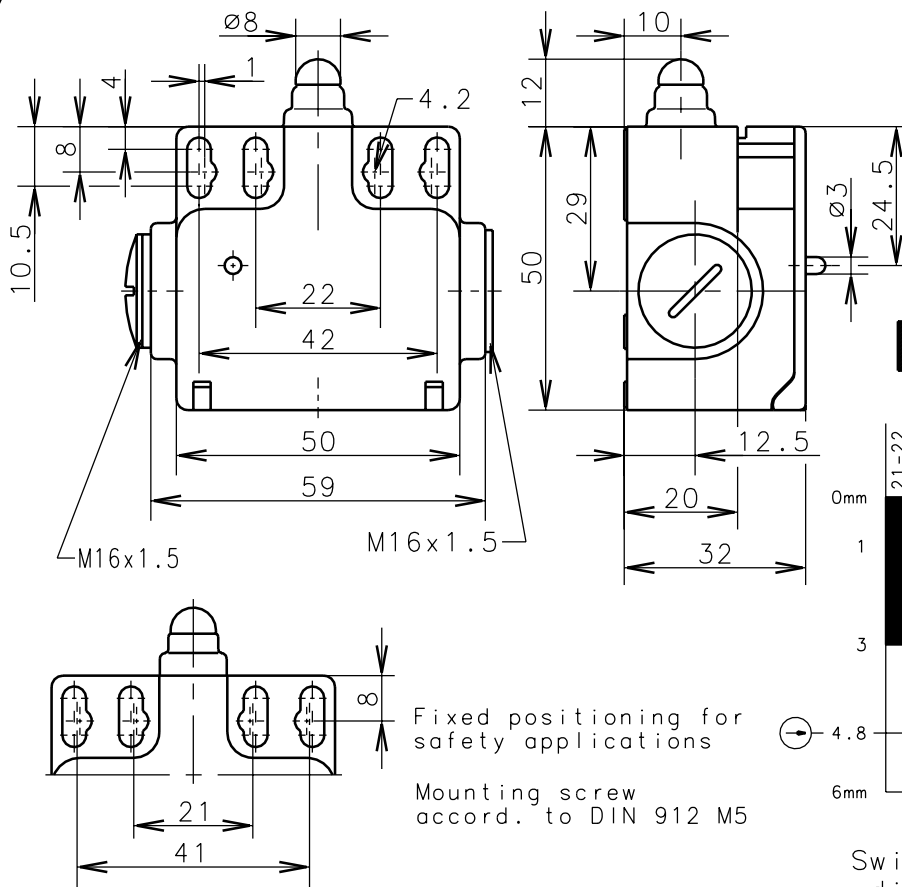
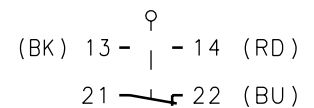
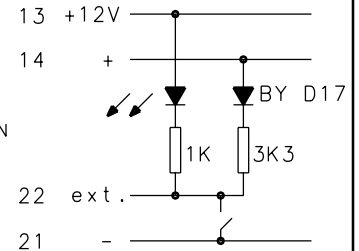
Bi-SU1Z w LED

618.5130.018



Positive opening operation according to DIN EN 60947-5-1 IEC 947-5-1

LED circuit diagram



Switching diagram

Switching symbol

Tolerance: operating point $\pm 0.25\text{mm}$; actuating force $\pm 10\%$

Mechanical features

Enclosure: Thermoplast, glass fiber reinforced
 Cover: Thermoplast, glass fiber reinforced
 Actuator: Push bolt (Thermoplast)

Ambient air temperature: -30°C up to $+80^\circ\text{C}$
 Contact type: 1 NC-contact (Zb)

Mechanical life: 10×10^6 switch operations
 Switch frequency: max. 100/min
 Mounting: 2 x M4
 Connection type: 4 screw connections (M3.5)
 Cable entry size: 2 x M16x1.5 (lateral)
 Weight: approx. 0,10 kg

Electrical features

Max. Voltage: 12 V DC
 Max. enduring current: 1 th 3A
 Max. inrush current: according to IEC 947-5-1, AC 15, DC 13
 Standards: according to EN 60204; EN 60947-1; EN 60947-5-1
 Protection class (IP-Code): IP65 according to EN 60529; DIN VDE 0470 T1
 Short-circuit protection: due to wiring with LED, quick-acting fuse 0.01A

Approach possibilities

The push bolt actuator is mainly intended to be actuated along its axis. Side actuation will considerably reduce switch life.

Remarks

The moving parts should be oiled periodically.
 The planned protection class (IP-Code) is valid only at closed cover and when using an at least equivalent cable gland.