

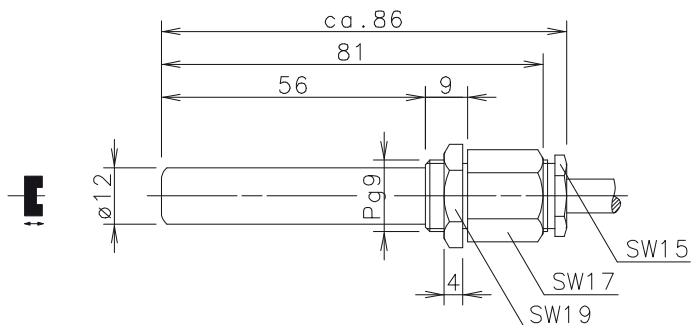
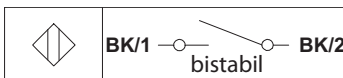
Magnetic switch

Series MA-06

Description **MAA-0614-P-1**

Article number **6310406554**

Wiring diagramm



Identifying characteristics in accordance with EN 60947-5-1 and EN 62246-1

Electrical data		
Assured operating distance (north)	S_a	21 mm
Switching element function		Bistabil „On-Off“
Max. switching voltage		250 V
Max. switching current		1,5 A
Max. switching capacity		250 VA
Mechanical lifetime		3×10^8 switchings
Repeat accuracy	R	$\pm 0,1$ mm under same geometrical conditions at the same temperature
max. Release point (south)		36 mm
Shock		50 g (11 ms / 1/2 Sinewave)
Vibration		35 g (10 - 1000 Hz)
Corresponding magnet		T-62 N/S
Protection class		I

Mechanical data	
Enclosure	Al / CuZn; encapsulated reed contact
Ambient air temperature	-5 °C ... +70 °C
Type of protection	IP67 acc. ICE 529, EN 60529
Termination type	cable 3 x 0,5 mm ² x 1,0 m ± 5 %; PVC -outer jacket grey
Assembly position	optional (assembly on iron means reduction of switch distance)

EU Conformity
acc. to directive 2014/35/EU (Low-Voltage-Directive)