



# Actuator LA30

## Data sheet

# LA30

---

LA30 is a powerful actuator yet small enough to fit most applications. The actuator can be supplied with options such as built-in potentiometer for servo operation or an extra powerful motor for increased speed and strength (S-motor). In addition to industrial and agricultural applications, the actuator is also ideal for positioning satellite dishes.



---

## Features and options:

- 12/24V DC permanent magnet motor
- Max. thrust up to 6000 N (LA30LK)
- Stainless steel piston rod
- Elegant and compact construction with small installation dimensions
- Protection Class: IPX0/66
- Colour: Black
- Speed max. 65 mm/s (LA30 S-motor with 12 mm pitch)
- Low noise level
- Steel construction for all bearing parts
- Acme thread spindle for optimum efficiency
- Extra powerful motor (S-motor)
- L-motor for system actuator
- IP66 (by ordering LA30 with plastic housing)
- Double-acting brake - increased self-locking ability (LA30 with 6 or 9 mm pitch + LA30 S-motor with 6 or 9 mm pitch and LA30L) which ensures that all these types are fully self-locking

- Potentiometer for positioning the actuator: 0-10 K ohm
- Reed switch (only LA30 L-motor versions): 8 pulses pr. spindle revolution
- Safety nut (only in push)
- Terminal cover (only LA30 L-motor versions)
- Ball screw (K) (only LA30 L-motor versions)
- Ball screw and safety nut (KAS) (only LA30 L-motor versions)

## Usage:

- Duty cycle: 10%, 2 minutes continuous use followed by 18 minutes not in use
- Ambient temperature +5° to +40°C
- Storage temperature -40° to +70°C
- Compatible with LINAK control boxes. Please contact LINAK.
- Approvals: IEC 60601-1, ANSI/AAMI ES60601-1 and CAN/CSA-22.2 No 60601-1

**Technical specifications:**

New type	Spindle pitch (mm)	Thrust max. Push (N)	Thrust max. Pull (N)	*Self-lock max. With/without brake (N)	Typical speed 0/full load (mm/s)	Stroke length (mm)								Typical amp. at full load	
						50	100	150	200P	250	300	350	400P	12V	24V
307xx0-4xxxx0/5xx	12	1000	1000	1000/0	48/24	50	100	150	200P	250	300	350	400P	14	7
303xx0-4xxxx0/5xx	9	1500	1500	1500/400	42/20	50	100	150P	200	250	300P	350	400	14	7
302xx0-4xxxx0/5xx	6	2000	2000	2000/500	18.5/14	50	100P	150	200P	250	300	350	400P	14	7
301xx0-xxxx0/5xx	3	3000	3000	3000/3000	16/9	50P	100P	150	200P	250	300	350	400	14	6.4
307xx0-4xxxx1/2xx	12	1000	1000	1000/0	65/35	50	100	150	200P	250	300	350	400P	20	10
303xx0-4xxxx1/2xx	9	1800	1800	1800/0	52/25	50	100	150P	200	250	300P	350	400	20	10
302xx0-4xxxx2xx	6	2000	2000	2000/500	34/20.3	50	100P	150	200P	250	300	350	400P	18	-
302xx0-4xxxx1xx	6	2400	2400	2400/500	34/20.3	50	100P	150	200P	250	300	350	400P		9
301xx0-xxxx1/2xx	3	3500	3000	3500/3500	17/9.5	50P	100P	150	200P	250	300	350	400	18	9
307xx0-4xxxx4xx	12	1000	1000	1000/0	26/20	50	100	150	200P	250	300	350	400P	-	2.5
303xx0-4xxxx4xx	9	2000	2000	2000/0	20/13	50	100	150P	200	250	300P	350	400	-	4.4
302xx0-4xxxx4xx	6	3000	3000	3000/2000	13.8/7	50	100P	150	200P	250	300	350	400P	-	4
301xx0-xxxx4xx	3	4000	3000	4000/4000	7/4.5	50P	100P	150	200P	250	300	350	400	-	5.5
30Kxx0-0xxxx4xx	4	6000	3000	6000/n/a	8.7/5.5	-	-	150	200	250	300	350	400	-	4.7
30Kxx0-1xxxx4xx	4	6000	3000	6000/n/a	8.7/5.5	-	-	150	200	250	300	350	400	-	4.7
30Kxx0-3xxxx4xx	4	6000	3000	6000/n/a	8.7/5.5	-	100	150	200	250	300	350	400	-	4.7

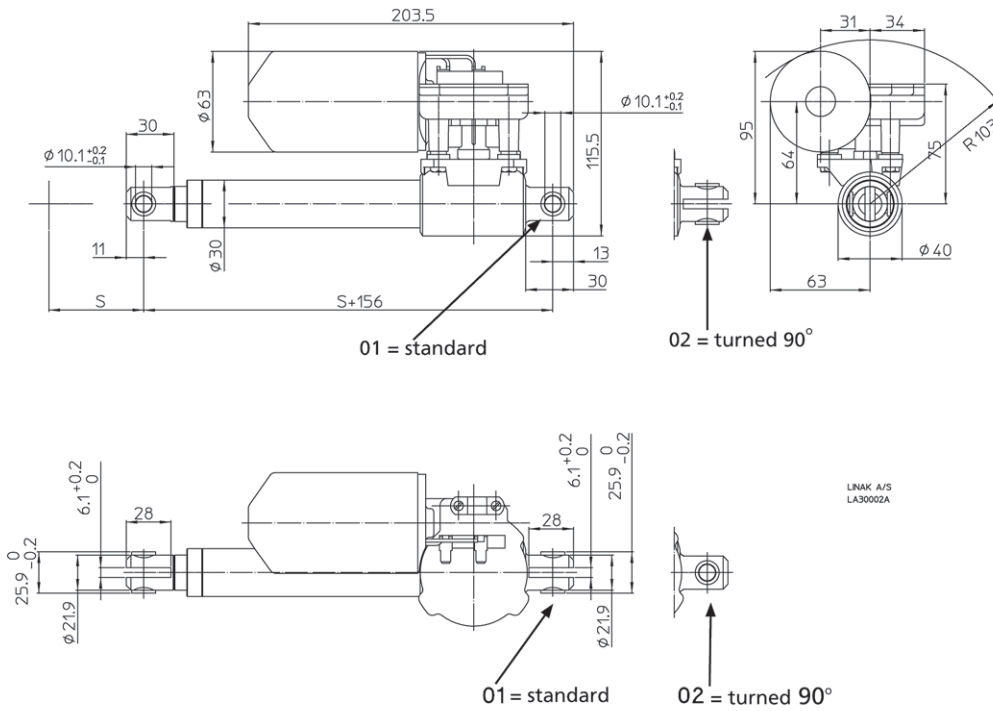
# LA30

Ordering example:

30 1 1 0 0 - 1 0 2 5 0 0 0 0

- Cables:**
  - N = No cable when IPX0 (except reed) (no cable relief will be mounted)
  - 0 = Straight with jack plug, 2.30 m with IP-housing and 2.45 m without IP-housing
  - 1 = Straight with jack plug, 1.05 m with IP-housing and 1.20 m without IP-housing
  - 2 = Coiled with jack plug 400 mm
  - 3 = Coiled with jack plug 200 mm
  - 4 = Straight without plug 500 mm (Potentiometer)
  - 5 = Straight without plug 1200 mm (with IP66 housing)
  - X = Other cable / length
  
- Protection class:**
  - 0 = IPX0
  - 2 = IP66 with plastic house
  
- Motor:**
  - 0 = 24V
  - 1 = 24V S-motor                      4 = 24V L-motor for LINAK control boxes
  - 2 = 12V S-motor                      5 = 12V motor
  
- Stroke length:**
  - XXX = mm
  - Max. with 3 & 6 mm pitch 400 mm
  - Max. with 9 & 12 mm pitch 500 mm
  - Min. 50 mm
  
- Install. dim.:**
  - 0 = Standard
  - X = Other installation dimension
  
- Options:**
  - 0 = None
  - 1 = Safety nut **RECOMMENDED**
  - 4 = Brake (not optional with K spindle)
  - 5 = Brake with safety nut (not optional with K spindle)
  
- Colour:**
  - = Black
  
- Options:**
  - 0 = None
  - 1 = LSD (Factory installed, not IPX6 max. IPX4)
  - 2 = LS (Separately, for customer assembly, not IPX6 max. IPX4)
  
- Options:**
  - 0 = None
  - T = Potentiometer 10 Kohm } only with motor 0, 1, 2, 4, 5
  - R = Reed switch } only with motor 4
  
- Back fixture:**
  - 1 = Standard (01)
  - 2 = Turned 90° (02)
  
- Spindle type:**
  - 1 = 3 mm (1-thread)                      Old type no. LA30.1
  - 2 = 6 mm (2 thread)                      LA30.2
  - 3 = 9 mm (3-thread)                      LA30.3
  - 7 = 12 mm (4-thread)                      LA30.4
  - K = Ball spindle                              LA30K
  - (K spindle is always with brake)
  
- Actuator type:** LA30

**Dimensions:**



**Installation dimension:**

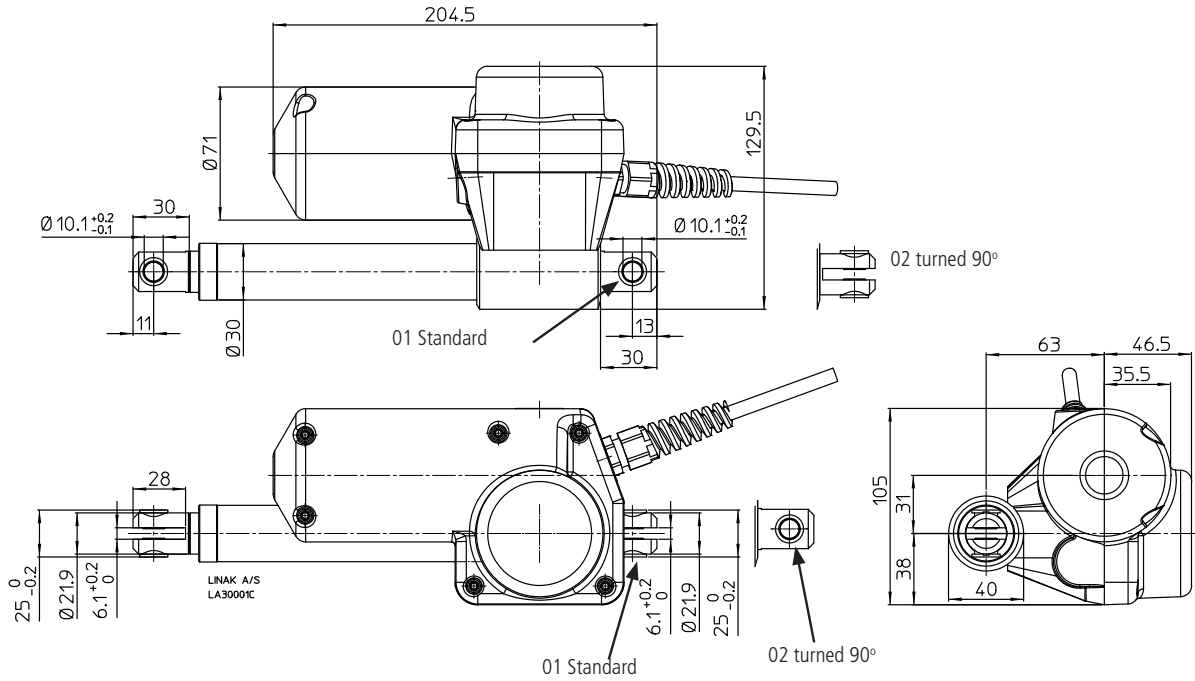
LA30 L-motor + LA30 + LA30 S-motor with 3 or 6 mm pitch	S + 156 mm
LA30 with spline + LA30 S-motor with 9 mm pitch	S + 167 mm
LA30 with brake + LA30 S-motor with 3 or 6 mm pitch with brake	S + 189 mm
LA30 with ball screw and L-motor / LA30 ball screw and safety nut	S + 194 mm
LA30 L-motor with brake + LA30 S-motor 9 or 12 mm pitch with brake	S + 199 mm
LA30 L-motor with ball screw, safety nut and spline	S + 251 mm

### Plastic housing for LA30:

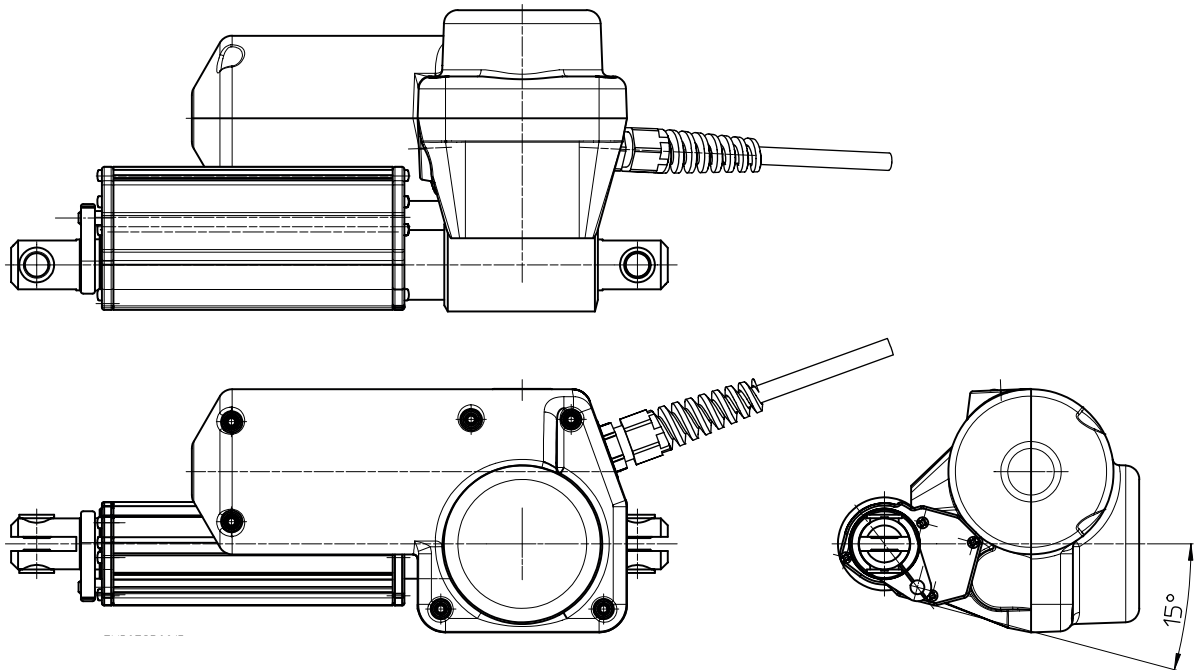
It is possible to order a LA30 with the protection class IP66. This option requires a plastic housing. See drawings below.

The LA30 actuator is mounted with a 1.2 m / 0.5 m cable without plug.

### Dimensions:

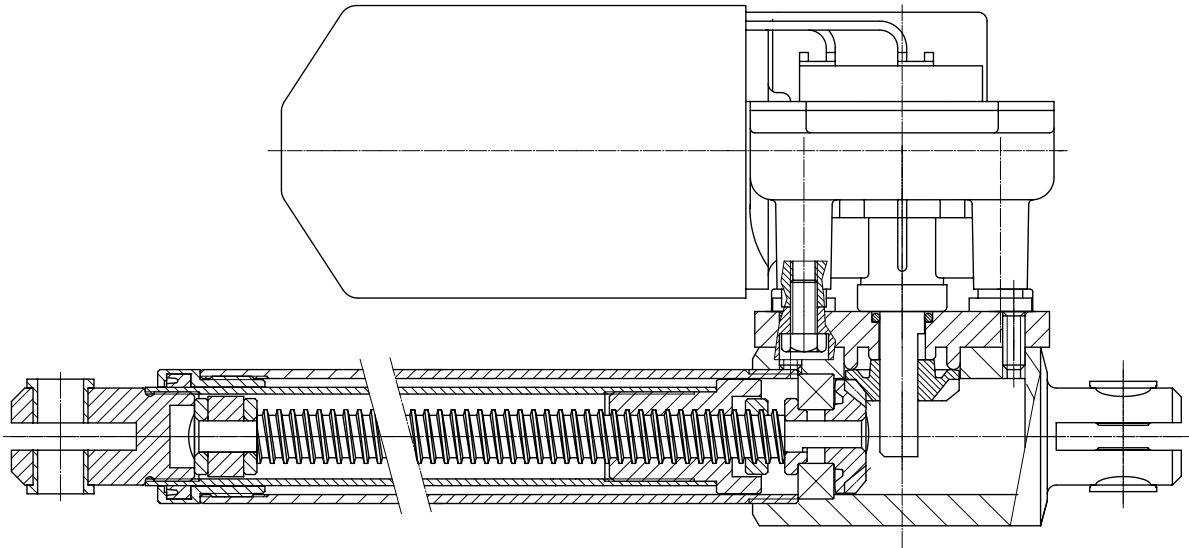


### LA30 with housing mounted with LSD (protection class IPX4):



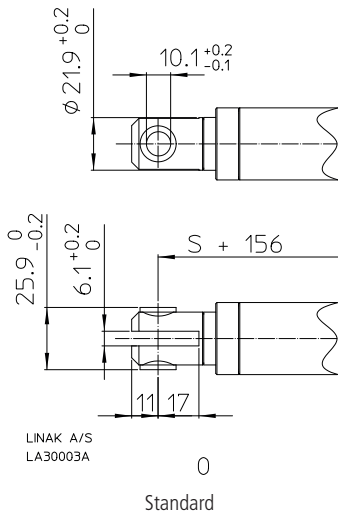
Drawing no.: LA30LSD001B

**LA30 Standard:**

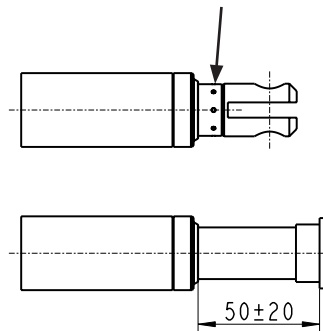


Drawing no.: LA30SNIT001B

**Piston Rod eyes:**



"Crimped" piston rod eye



LINAK® accepts no responsibility for possible errors or inaccuracies in catalogues, brochures, and other material. LINAK reserves the right to change its products without prior notice. LINAK cannot guarantee product availability and reserves the right to discontinue the sale of any product. The user is responsible for determining the suitability of LINAK products for a specific application. All sales are subject to the 'Standard Terms of Sale and Delivery', available on LINAK websites.

LINAK and the LINAK logotype are registered trademarks of LINAK A/S. All rights reserved.