

012-A46-78 ▼



102/102 results find

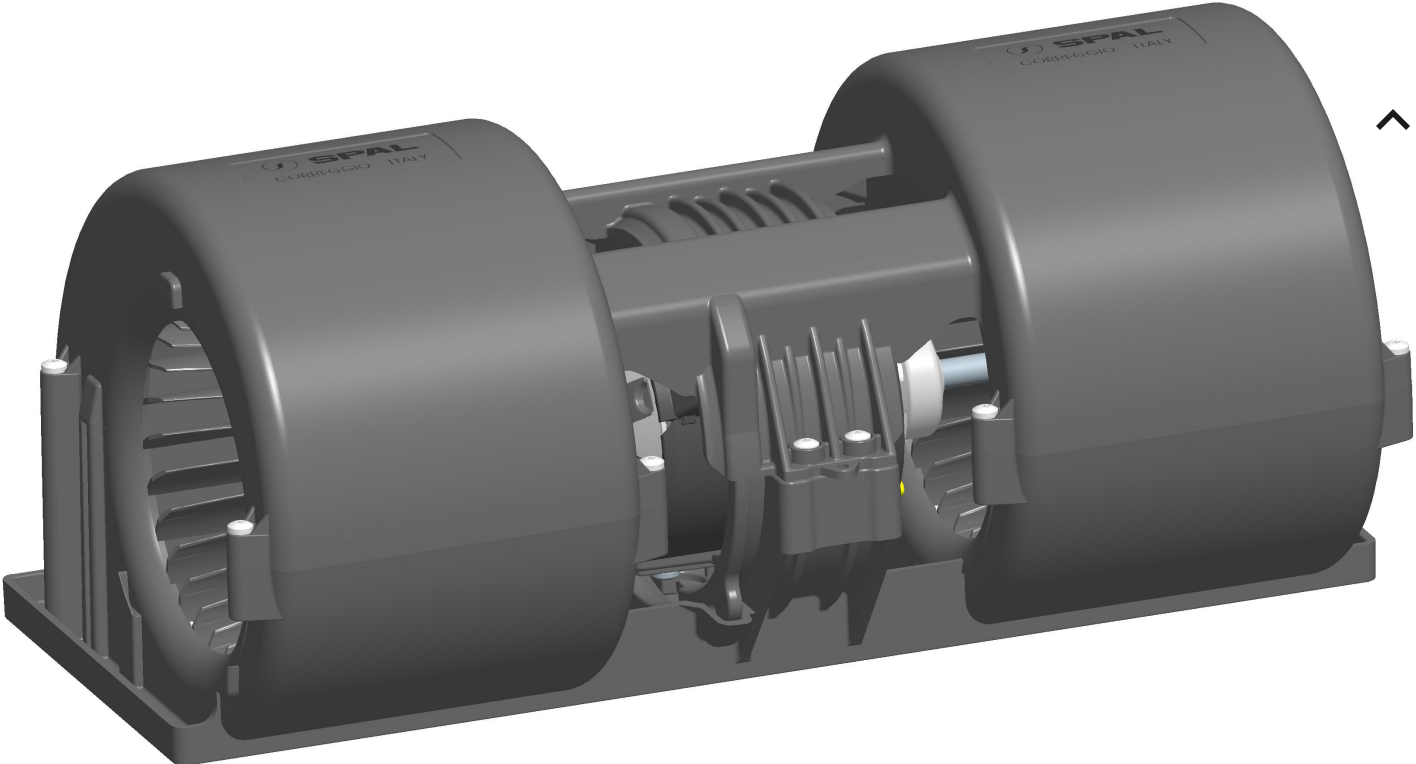


clear Filters

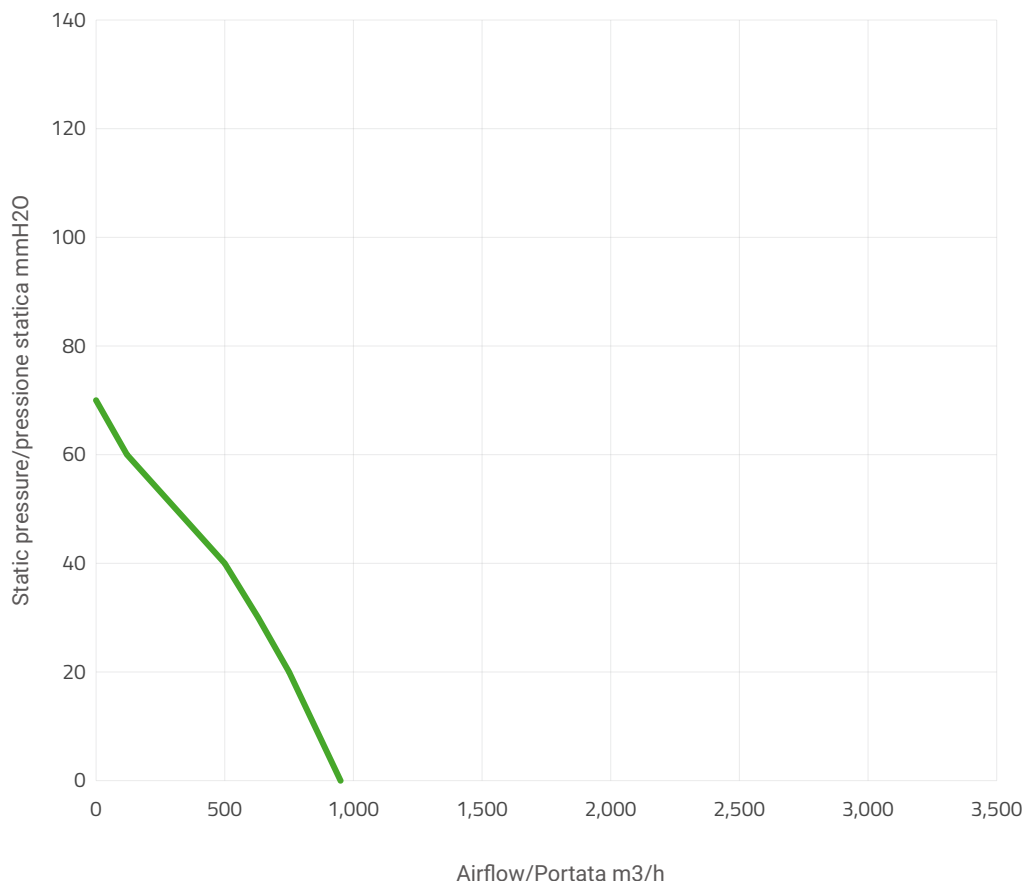
012-A46-78



Print Data Sheet



Performance diagram



Performance chart

Static pressure	Airflow	Current draw	Airflow	Static pressure
mm H ₂ O	m ³ /h	A	CFM	in H ₂ O
0	950	20,1	561	0
10,0	850	18,4	502	0,4
20,0	750	17,0	443	0,8
30,0	630	14,7	372	1,2
40,0	500	13,1	295	1,6
50,0	310	10,5	183	2,0
60,0	120	8,7	71	2,4
70,0	0	8,6	0	2,8

Our technical specification are purely indicative and might change without any previous notice