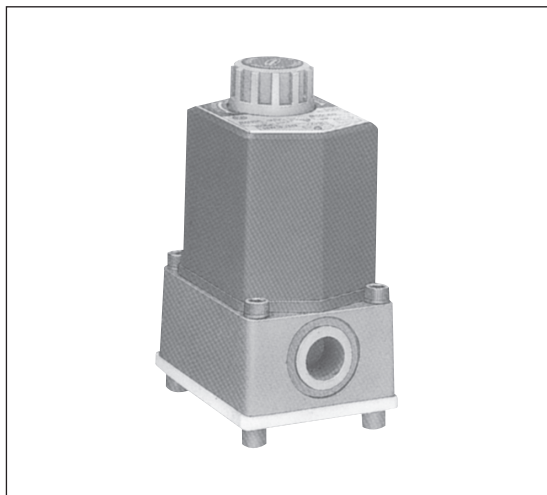


PRESSURE SWITCH (HW3)



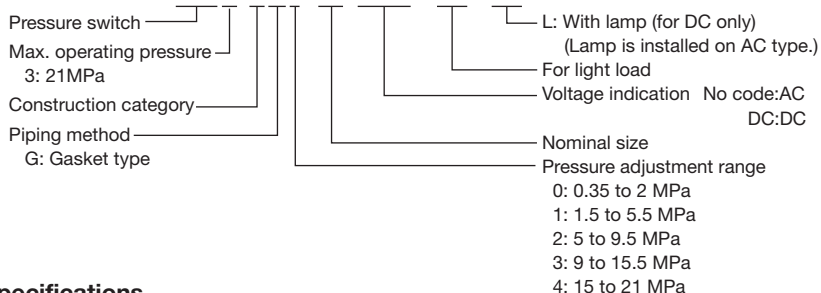
The pressure switch operates when the pressure in the hydraulic circuit reaches the preset pressure, to control electric circuits of a solenoid valve, a motor starter switch, or a signal indicating lamp, etc.

Features

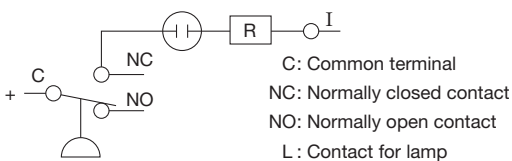
1. The pressure switch is designed for higher accuracy.
 2. Compact and light weight design assures simple pressure adjustment and wiring work.
 3. The switch operation status can be confirmed visually thanks to a neon lamp.
 4. Since it can be connected to the manifold directly by a gasket, equipment size can be reduced.
 5. Two types of subplate allow piping to the back or side face.
- Limit the hysteresis (pressure difference of ON-OFF) to no higher than 8% of maximum permissible adjustment pressure in each pressure adjustment range.
 - When a subplate SHW02-02T1 (piping to back) or SHW02-02T2 (piping to side) is necessary, please order separately.
 - When ordering a pressure switch, please specify the operating voltage in addition to the model code.

Description of the model designation

HW3-1G0-02(-DC) (K) (-L)



Symbols used in electric circuit



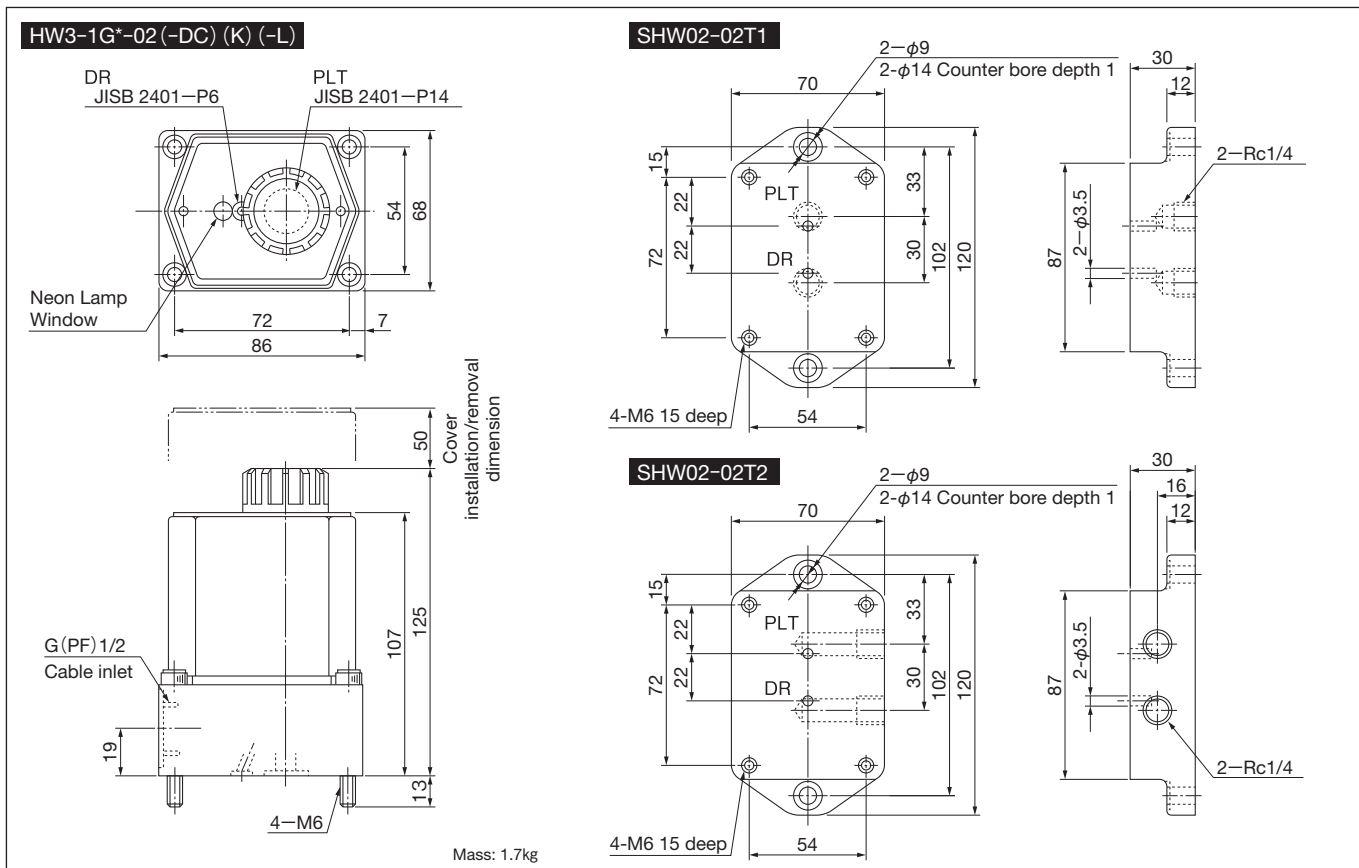
Electric rating of micro switch

AC	125V-15A, 250V-15A, 480V-15A
DC	125V-0.5A, 250V-0.25A

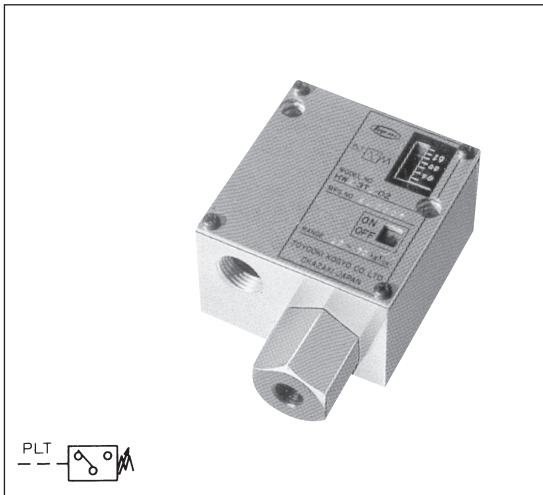
Specifications

Nominal size	Max. operating pressure (MPa)	Permissible back pressure (MPa)	Pressure adjustment range (MPa)	Model
02	21	0.03	0.35 to 2	HW3-1G0-02(-DC) (K) (-L)
			1.5 to 5.5	HW3-1G1-02(-DC) (K) (-L)
			5 to 9.5	HW3-1G2-02(-DC) (K) (-L)
			9 to 15.5	HW3-1G3-02(-DC) (K) (-L)
			15 to 21	HW3-1G4-02(-DC) (K) (-L)

Outside dimensions



PRESSURE SWITCH (HW1)



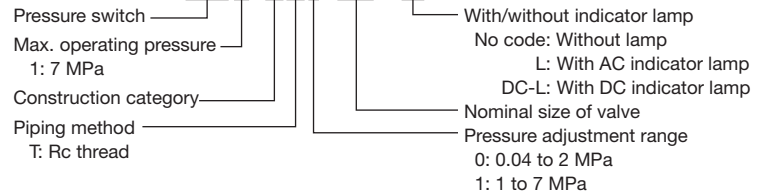
The pressure switch operates when the pressure in the hydraulic circuit reaches the preset pressure, to control electric circuits of a solenoid valve, a motor starter switch, or a signal indicating lamp, etc.

■ Features

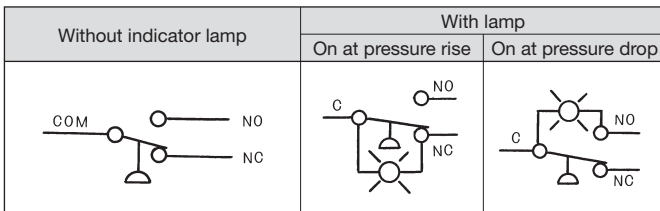
1. The pressure switch is designed to be compact and light.
2. The pressure switch can be installed easily since drain piping is not necessary.
3. The switch operating status (ON / OFF) can be confirmed through the operation check window.

■ Description of the model designation

HW1-3T1-02-(L)



● Symbols used in electric circuit



NOTE: Either indicator lamp wiring is possible. However, the load must always be connected to the lamp side.

■ Specifications

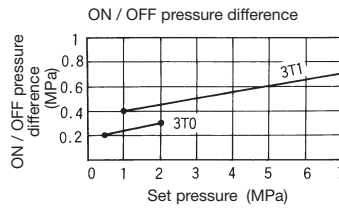
Nominal size	Max. operating pressure (MPa)	Pressure adjustment range (MPa)	Model
02	7	0.4 to 2	HW1-3T0-02 (-DC) (-L)
		1 to 7	HW1-3T1-02 (-DC) (-L)

NOTE: Model designation for a pressure switch with an indicator lamp is as shown below.
 HW1-3T*-02 -L (With AC indicator lamp, Operating voltage: AC100 to 240 V)
 -DC-L (With DC indicator lamp, Operating voltage: DC12 to 24 V)

● Electric rating of micro switch

AC	125V-5A, 250V-5A
DC	125V-0.5A, 250V-0.25A

● Performance characteristic table



■ Outside dimensions

