

SÜDMO

COMPONENTS 2015/16





1 SINGLE SEAT VALVES	<ul style="list-style-type: none"> 1.0 General Information Südmo Single Seat Valves 1.1 Hyg. SVP Select with Profile Seal / O-Ring 1.2 Hyg. SVP Select Long Stroke with Profile Seal / O-Ring 1.3 Asept. SVP Select with P³ Diaphragm / O-Ring 1.4 Asept. SVP Select with P³ Diaphragm / PEEK-Ring 1.5 Asept. SVP Select with P³ Diaphragm / PEEK-Disc 1.6 Asept. SVP M2000 with PTFE-Bellow 1.7 Accessories for SVP Select and SVP M2000 1.8 Spare parts for SVP Select Single Seat Valves 1.9 Spare parts for SVP M2000 Single Seat Valves
2 DOUBLE SEAT VALVES	<ul style="list-style-type: none"> 2.0 General Information Südmo Double Seat Valves 2.1 DSV Complete Double Seat Valves 2.2 AS-DSV Secure Aseptic Process Valves 2.3 SD Economic Double Seal Valves 2.4 Double Seat Valves 365it Complete PMO 2.5 Sets of Gaskets for Double Seat Valves DSV M1994 2.6 Sets of Seals for M2010 Aseptic Process Valves 2.7 Sets of Seals for SD M2000 Double Seal Valves
3 BUTTERFLY AND BALL VALVES	<ul style="list-style-type: none"> 3.0 General Information Südmo Butterfly, Leakage Butterfly and Ball Valves 3.1 Butterfly Valves 3.2 Leakage Butterfly Valves 3.3 Ball Valves
4 CONTROL SYSTEMS	<ul style="list-style-type: none"> 4.0 General Information Valve Control Systems 4.1 IntelliTop® 2.0 4.2 Proximity Switches, Plugs and Cables
5 CONTROL VALVES	<ul style="list-style-type: none"> 5.0 General Information Südmo Control Valves 5.1 Control Valves Select
6 MISC. PROCESS VALVES	<ul style="list-style-type: none"> 6.1 Constant Pressure Valves 6.2 Non-Return Valves 6.3 SVP Select Overflow Valves
7 MISC. PROCESS EQUIPMENT	<ul style="list-style-type: none"> 7.1 Sampling Valves 7.2 Inline System 7.3 Sight Glasses 7.4 Angle Type Strainers
8 TANK AND SAFETY VALVES	<ul style="list-style-type: none"> 8.1 Vacuum and Safety Valves
9 PIPE CONNECTIONS AND PIPE FITTINGS	<ul style="list-style-type: none"> 9.1 Hyg. Pipe Connections 9.2 Hyg. Pipe Fittings 9.3 Asept. Pipe Connections
10 HYGIENIC CENTRIFUGAL PUMPS	<ul style="list-style-type: none"> 10.0 General Information Südmo Hygienic Centrifugal Pumps 10.1 Hygienic Centrifugal Pumps 10.2 Hygienic Centrifugal Pumps Order Form
11 ADDITIONAL SERVICES	<ul style="list-style-type: none"> 11.1.2 Certificates and Reports 11.1.5 E-Polishing 11.1.6 Help 11.1.7 Legal Notice



SÜDMO

ABOUT US AND OUR PRODUCTS

CONTENTS

0.0.7 ABOUT US

0.0.7 CONTACT

0.0.8 MAIN PRODUCT OVERVIEW



SÜDMO COMPONENTS

ABOUT US

Your manufacturing process is subject to the highest requirements regarding hygiene, cleaning possibilities and cost-effectiveness.

In addition, international standards for the food, beverage, pharmaceutical and cosmetics industries require high quality components, which provide the best production results. To meet these challenges, in addition to our full line of sanitary flow components, Pentair Südmö provides application expertise and guidelines for the most efficient use of our products through our process engineering and field services.

Every day, our experts provide solutions that enable hygienic and aseptic processors to establish fully automated and absolute reliable process sequences.

At Pentair Südmö we do more than to design and manufacture valves. We are dedicated to providing our customers with the best technology for each application.

As the need for safety and sustainability in the food, beverage and pharmaceutical markets increases, we continue to respond with advanced products and services. Whether working with a U.S. dairy plant that must meet strict regulations or developing a total solution for an international brewery, we have the solution that fits.

Our capabilities include process engineering, service management, and extensive training opportunities, as well as advanced water and wastewater technologies. To us success comes when our customers experience optimized plant performance and reduced operating costs.

Founded in 1954, specifically to supply valves and components to the dairy industry in Germany, Pentair Südmö has a long history.

We continue to build on this heritage of innovation at our R&D and manufacturing facility in Riesbürg, Germany. Our components that include stainless steel single seat, mix proof and specialty valves, and compact systems meet highest hygienic and aseptic standards.

Today, we are part of Pentair Inc., a global diversified industrial company headquartered in Minneapolis, Minnesota. With facilities around the world, Pentair employs more than 30000 people.

PENTAIR SÜDMÖ COMPONENTS - CUTTING EDGE PROCESS VALVE TECHNOLOGY

With more than 60 years of experience in the design and construction of stainless steel valves and fittings, we offer our customers an extensive and flexible component range.

Pentair Südmö has the best selection of hygienic and aseptic process valves for the food, dairy, beverage, cosmetic, and pharmaceutical industries, including Double Seat (Mix Proof), Single Seat, Butterfly plus many specialty valves.

Pentair Südmö valves offer hygienic and aseptic processors the ability to establish fully automated and absolute reliable process sequences.

Our multi-disciplined team has the know-how to assist you in optimizing your process.

OUR RANGE OF COMPONENTS INCLUDES: SINGLE SEAT VALVES

Our experience led to reduced maintenance demand (cost and time) of our SVP Select Valve Range. This reliable and versatile line offers a wide range of sizes and executions, including long stroke.

DOUBLE SEAT VALVES

Pentair Südmö's Double Seat Valves provide leakage-free separation of 'hostile' media for a wide range of industries. Double Seat Valves are ideal for building valve manifolds. Our new double seat valve generation Complete offers higher operating pressures and maximum process reliability. DSV Complete valves are available in a number of executions, including PMO, and are the ideal choice for valve manifolds.

CONTROL VALVES

Achieve perfect control of product and CIP flow with the SVP Select Control Valve. This valve is customizable for each application using standard components. The optional programmable features in the control top provide excellent control and repeatability.

CONTROL AND FEEDBACK SYSTEMS

Our IntelliTop 2.0 provides decentralized control of process valves for dairies, breweries and soft drink systems. This is an enormous advantage when building complex valve manifolds in tank depots or distribution stations.

VALVE MANIFOLDS

For many applications, Pentair Südmö supplies valves welded into manifolds or clusters on a stainless steel frame for safe, effective and flexible distribution of different media. They are fitted with a drip pan designed to collect cleaning solution during seat lifting. The valves can also be pre-wired to a control panel that is mounted on the manifold. This allows the complete manifold to be tested with the control system before it is delivered to the customer's premises.

1. Lower cost to build manifolds in a factory environment than on site
2. Higher quality with job shop production e.g. welding with modern orbital welding machines
3. Reduce potential error sources by checking the system components within factory acceptance test (FAT)

CONTACT

For information regarding your particular application please contact your specific application from the world-wide network of Pentair Südmö partners, either in person or by telephone. You easily get an up-to-date list of distributors for all countries either from your sales contact or via www.sudmona.com.

Pentair Südmö North America

293 Wright Street
Delavan, WI 53115
USA

Phone: +1 262 7259026
Fax: +1 866 6734621

Email: csudmo@pentair.com

SÜDMO COMPONENTS

MAIN PRODUCT OVERVIEW

1	2	3	4	5	6
<u>SINGLE SEAT VALVES</u>	<u>DOUBLE SEAT VALVES</u>	<u>BUTTERFLY AND BALL VALVES</u>	<u>CONTROL SYSTEMS</u>	<u>CONTROL VALVES</u>	<u>MISC. PROCESS VALVES</u>



Our reliable and versatile SVP Select line offers a wide range of sizes and executions, including long stroke. The modular design allows for common seal dimensions and actuators for the various sizes.



Pentair Südmö's Double Seat Valves provide leakage-free blocking of conflicting media for a wide range of industries. Double Seat Valves are ideal for building valve manifolds. DSV Complete valves are available in a number of executions, including PMO.



Pentair Südmö's hygienic shut-off Butterfly Valves are used in all segments of the process industry. Our comprehensive valve line features both manual and pneumatic drive options, including lockable handles and vertical actuators. Pentair Südmö offers a variety of options that allow monitoring and control of the valves through the control system, including our state-of-the-art Intelli-Top 2.0 control unit.



Our IntelliTop 2.0 provides decentralized control of process valves for dairies, breweries and soft drink systems. This is an enormous advantage when building complex valve manifolds in tank depots or distribution stations.



Achieve perfect control of product and CIP flow with the SVP Select Control Valve. This valve is customizable for each application using standard components. The optional programmable features in the control top provide excellent control and repeatability.



Constant Pressure Valves with or without steam barrier and Non-return Valves with different types of port connections, you'll find them all in the Südmö components range.



SÜDMO COMPONENTS

MAIN PRODUCT OVERVIEW

7	8	9	10	11
<u>MISC. PROCESS EQUIPMENT</u>	<u>TANK AND SAFETY VALVES</u>	<u>PIPE CONNECTIONS AND PIPE FITTINGS</u>	<u>HYGIENIC CENTRIFUGAL PUMPS</u>	<u>ADDITIONAL SERVICE</u>



Sampling Valves and sight glasses and their accessories complete the Südmö process equipment.



Pentair Südmö's offers Vacuum and Safety Valves for a proven simple and reliable TankTop compact system.



Everything out of one hand – Südmö's your partner for hygienic and aseptic threaded, small flange, weld-in flange and clamp connections and all kinds of pipe fittings.



Pentair Südmö's hygienic centrifugal pumps are designed for continuous operation on 'thin' liquids (milk, wine, cream, beer, wort, etc.). These pumps are suitable for liquids with viscosity up to 500 mPa.s.



Here you'll find information to certificates, declarations, reports and additional services like e-polishing.



SÜDMO

SINGLE SEAT VALVES

CONTENTS

- 1.0 GENERAL INFORMATION SÜDMO SINGLE SEAT VALVES
- 1.1 HYG. SVP SELECT WITH PROFILE SEAL / O-RING
- 1.2 HYG. SVP SELECT LONG STROKE WITH PROFILE SEAL / O-RING
- 1.3 ASEPT. SVP SELECT WITH P³ DIAPHRAGM / O-RING
- 1.4 ASEPT. SVP SELECT WITH P³ DIAPHRAGM / PEEK-RING
- 1.5 ASEPT. SVP SELECT WITH P³ DIAPHRAGM / PEEK-DISC
- 1.6 ASEPT. SVP M2000 WITH PTFE-BELLOW
- 1.7 ACCESSORIES FOR SVP SELECT AND SVP M2000
- 1.8 SPARE PARTS FOR SVP SELECT SINGLE SEAT VALVES
- 1.9 SPARE PARTS FOR SVP M2000 SINGLE SEAT VALVES



SÜDMO

GENERAL INFORMATION SÜDMO SINGLE SEAT VALVES

CONTENTS

- 1.0.4 GENERAL COMMERCIAL INFORMATION
- 1.0.6 GENERAL TECHNICAL SPECIFICATIONS
- 1.0.8 QUICKFINDER SINGLE SEAT VALVES
- 1.0.10 SEAL GUIDE, TEMPERATURES AND CLEANING INFORMATION
- 1.0.14 PORT CONFIGURATIONS AND AIR REQUIREMENTS
- 1.0.15 CVS-VALUES

SÜDMO SVP SELECT

GENERAL COMMERCIAL INFORMATION

1.0



SVP Select hygienic single seat valve with profile gasket / O-Ring



SVP Select aseptic single seat valve with P³ diaphragm / O-Ring

GENERAL PRODUCT INFORMATION

The Pentair SüdmO SVP Select single seat valve series meets the highest requirements for quality, cleaning capability and easy maintenance.

The modular design ensures that the right valve can be made for any process application in the beverage, food, pharmaceutical, and cosmetics industries. Particularly in areas where aseptic valves are required, by using our P³ diaphragm we offer the best performance in regard to chemical and temperature resistance, and pressure stability.

All materials are FDA and 3-A compliant and have passed the EHEDG cleaning test. Because components are machined, higher grade alloys can also be used for the wetted components. The stems are offered with O-Rings for superior sealing or PEEK for aggressive media conditions with our standard actuator.

The modular design allows for common seal dimensions and actuators for the various sizes. Because no special tools are required, maintenance of the valve is quick and easy. With the addition of Pentair SüdmO's IntelliTop™ 2.0, the valves can be operated and monitored through the control system.

BENEFITS

- **General advantages**
 - Body machined from a solid piece of bar stock
 - Modular system suitable for all applications
 - Good cleaning properties
 - Long service life
 - Field reversible actuator
- **Advantages of P³ diaphragm**
 - High number of switching cycles
 - Good CVS-Values
 - Pressure - stable under continuous pressure up to 10 bar (145 psi)
 - Highly resistant to aggressive chemicals
 - Resistant to temperatures up to 150 °C (320 °F)
- **Advantages of PEEK seat**
 - Prevents product burning on the valve seat
 - No additional sealing element on the valve seat
 - Very good chemical resistance
 - High temperature resistance



SVP Select aseptic single seat valve with P³ diaphragm / PEEK



SÜDMO SVP SELECT

GENERAL TECHNICAL SPECIFICATIONS

TECHNICAL DATA

MATERIAL

Product contact

1.4404 (AISI 316L)

Non-product contact

1.4301 (AISI 304) / 1.4307 (AISI 304L)

Optional

High-quality materials

Seals

Standard: EPDM

Optional: HNBR, FKM, PEEK

Diaphragm: P³

APPROVALS / CERTIFICATES

EHEDG

3A Standard 53-06

FDA

CRN

Gost-R

OPERATING TEMPERATURES

EPDM seals

130 °C (266 °F) continuous

150 °C (300 °F) short sterilization

PRESSURES

Control air pressure

Standard 6 bar (87 psi) – 8 bar (116 psi)

With pneumatic power amplifier: 3.5 bar (51 psi)

Operating pressure

- DN 10-20 / OD 0.5-0.75 / ISO 8-15:

10 bar (145 psi)

- DN 25-100 / OD 1.0-4.0 / ISO 25-80:

6 bar (87 psi)

- DN 125-150 / OD 6.0 / ISO 100-125:

5 bar (73 psi)

FINISH

Product contact

Ra ≤ 0.8 μm

Non-product contact

Ra ≤ 1.6 μm

Optional

Higher surface quality; e-polish

CONNECTIONS

Tube dimensions to

- DIN 11850 Series 2 (DIN 11866 Series A)

- ASTM A270 (ASME BPE-2009 /

DIN 11866 Series C)

- DIN EN ISO 1127 (DIN 11866 Series B)

OPTIONS

HOUSINGS

Right angle

Double right angle

Cross

Sampling

Straight-Way

Angular seat

Bottom seat

Changeover

ACTUATORS

Air actuators

Air-open / spring-close

Spring-open / air-close

Air-open / Air-close

Manual actuators

Manual drive

Bevelled Wheel drive

VALVE INSERTS

Hygienic

Profiled gasket / O-Ring

Aseptic

P³ diaphragm / O-Ring (P³ diaphragm/PEEK)

OPTIONS

3-position actuator

Booster



SÜDMO QUICKFINDER

SINGLE SEAT VALVES

1.0

HYGIENIC EXECUTIONS



Standard



Long Stroke

Chapter 1.1	Chapter 1.2
------------------------	------------------------



S370/S371/S372 E
Right Angle
Double Right Angle
Cross

Page 1.1.10 ff

S370/S371/S372 E LS
Right Angle
Double Right Angle
Cross

Page 1.2.8



S373/S374 E
Sampling
Straight-Way

Page 1.1.12 ff

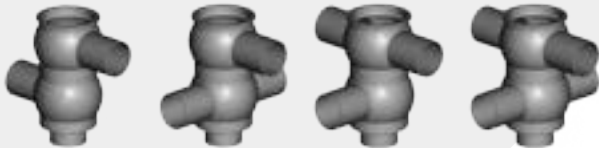


S386/S388 E
Angular Seat
Bottom Seat

Page 1.1.14 ff

S386/S388 E LS
Angular Seat
Bottom Seat

Page 1.2.9



**S390/S392/
S391*/S393 E***
Change Over

Page 1.1.16 ff

**S390/S392/
S391*/S393 E LS***
Change Over

Page 1.2.10



S390 E 2G
Change Over
Split / Geteilt

Page 1.1.18



Booster
3-Position Actuator

Page 1.7.2 ff

Booster
3-Position Actuator

Page 1.7.2 ff



Sets of Seals

Page 1.8.2

Sets of Seals

Page 1.8.6

* On request



SÜDMO QUICKFINDER

SINGLE SEAT VALVES

1.0

ASEPTIC EXECUTIONS



P³ Diaphragm
O-Ring

Chapter
1.3



P³ Diaphragm
PEEK-Ring

Chapter
1.4



P³ Diaphragm
PEEK-Teller / Disc

Chapter
1.5



PTFE-Bellow

Chapter
1.6

A370/A371/A372 D-E
Right Angle
Double Right Angle
Cross

Page1.3.10 ff

A370/A371/A372 D-PR
Right Angle
Double Right Angle
Cross

Page1.4.10 ff

A370/A371/A372 D-PEEK
Right Angle
Double Right Angle
Cross

Page1.5.8 ff

A370/A371/A372 T
Right Angle
Double Right Angle
Cross

Page1.6.10 ff

A373/A374 D-E
Sampling
Straight-Way

Page1.3.12 ff

A373/A374 D-PR
Sampling
Straight-Way

Page1.4.12 ff

A373/A374 D-PEEK
Sampling
Straight-Way

Page1.5.10 ff

A373/A374 T
Sampling
Straight-Way

Page1.6.12 ff

A380/A386/A388 D-E
Angular Seat
Bottom Seat

Page1.3.14 ff

A380/A386/A388 D-PR
Angular Seat
Bottom Seat

Page1.4.14 ff

A380/A386/A388 D-PEEK
Angular Seat
Bottom Seat

Page1.5.12 ff

A380/A386/A388 T
Angular Seat
Bottom Seat

Page1.6.14 ff

**A390/A392/
A391*/A393 D-E***
Change Over

Page1.3.16 ff

**A390/A392/
A391*/A393 D-PR***
Change Over

Page1.4.16 ff

A394 T
Change / Umstell

Page 1.6.16 ff

Booster

3-Position Actuator

Page1.7.2 ff

Booster

3-Position Actuator

Page1.7.2 ff

Booster

3-Position Actuator

Page1.7.2 ff

Booster

3-Position Actuator

Page1.7.2 ff

Sets of Seals

Page1.8.3

Sets of Seals

Page1.8.4

Sets of Seals

Page1.8.5

Sets of Seals

Page1.9.2

OVERVIEW

HELP

CONTACT



LEGAL NOTICE

SÜDMO SVP SELECT

SINGLE SEAT VALVES

1.0

GENERAL CONSISTENCY OF SEALING MATERIALS

GENERAL CONSISTENCY	EPDM	HNBR	FKM
	<ul style="list-style-type: none"> + very good hot water and steam resistancy + very good low temperature performance + good ozone resistancy (light resistance) + very high elasticity + very good mechanical properties (long lifetime) 	<ul style="list-style-type: none"> + suitable for animal fat contents (e.g. milk) + suitable for vegetable fat contents (e.g. olive oil) + aliphatic, aromatic and chlorinated hydrocarbons (e.g. mineral oil, crude oil) 	<ul style="list-style-type: none"> + very good chemical resistancy + very good heat and weather resistancy + suitable for low molecular weight, organic acids (e.g. formic acid and acetic acid) + good swelling resistancy
	<ul style="list-style-type: none"> - vegetable and animal oils - aliphatic, aromatic and chlorinated hydrocarbons (e.g. mineral oil, crude oil) - citron juices and flavors 	<ul style="list-style-type: none"> - overheating steam - susceptible to certain detergents and disinfectants (nitric acid, formic acid or peracetic acid) - strongly swelling in polar solvents (acetone, methylcetone, ethylacetate, diethylether) 	<ul style="list-style-type: none"> - non rubber-elastic material - aliphatic, aromatic and chlorinated hydrocarbons (e.g. mineral oil, crude oil) - critical at very cold temperatures (-20°C/-4°F) - high heat expansion co-efficient
TYPICAL APPLICATION AREAS	<ul style="list-style-type: none"> • First choice for a multitude of applications 	<ul style="list-style-type: none"> • Dairy • Wort 	<ul style="list-style-type: none"> • Chemical processes • Special cleaning procedures • Processes with H₂O₂ (hydrogen peroxide) • Soft drinks (Cola concentrate)



SÜDMO SVP SELECT

SINGLE SEAT VALVES

P ³ -DIAPHRAGM	PEEK (in combination with P ³ diaphragm)	PTFE BELLOW
<ul style="list-style-type: none"> + extremely high chemical resistancy + very good temperature resistancy + good form stability + high mechanical capacitance 	<ul style="list-style-type: none"> + very good heat resistancy + very good chemical resistancy + suitable for animal fat contents (e.g. milk) + suitable for vegetable fat contents (e.g olive oil) + high stiffness 	<ul style="list-style-type: none"> + high chemical resistancy + low adhesive factor + low sliding coefficient
<ul style="list-style-type: none"> - fluorine 	<ul style="list-style-type: none"> - Tight grooveness for sticky media (e.g. straw-berries) not guaranteed in PEEK-ring execution 	<ul style="list-style-type: none"> - limited temperature stability - limited form stability
<ul style="list-style-type: none"> • Aseptic process applications 	<ul style="list-style-type: none"> • Aseptic processes with very high temperatures (e.g pudding), so no additional elastomeric sealing element is required 	<ul style="list-style-type: none"> • Aseptic process applications

SÜDMO SVP SELECT

SINGLE SEAT VALVES

PRODUCTION TEMPERATURES AND CLEANING SPECIFICATIONS

PRODUCTION PARAMETERS	EPDM	HNBR	FKM
Product			
Max. operation temperature	95°C / 203°F	95°C / 203°F	80°C / 176°F
Min. operation temperature	1°C / 33.8°F	1°C / 33.8°F	1°C / 33.8°F
Steam			
Temperature max. (continuously)	130°C (2.7 bar) / 266°F (39.1 psi)	121°C (1.9 bar) / 250°F (27.5 psi)	not advisable for FKM
Temperature max. (short-time 15-20 min)	150°C (4.7 bar) / 302°F (68.1 psi)	140°C (3.6 bar) / 284°F (52.2 psi)	121°C (1.9 bar) / 250°F (27.5 psi)
Caustic (caustic soda)*			
Diluted cleaning solution	< 5%	< 3%	< 5%
Temperature min.	1°C / 33.8°F	1°C / 33.8°F	1°C / 33.8°F
Temperature max.	80°C / 176°F	80°C / 176°F	80°C / 176°F
Acid (Nitric/Phosphoric/Peracetic acid)*			
Diluted cleaning solution	< 3%	< 1,5%	< 1,5%
Temperature min.	1°C / 33.8°F	1°C / 33.8°F	1°C / 33.8°F
Temperature max.	40°C / 104°F	40°C / 104°F	60°C / 140°F
Disinfection*			
Diluted disinfectant (based on peracetic acid)	< 0,7%	Not advisable for HNBR	< 0,2%
Temperature min.	1°C / 33.8°F	Not advisable for HNBR	1°C / 33.8°F
Temperature max.	30°C / 86°F	Not advisable for HNBR	30°C / 86°F

PLEASE NOTE

The resistance figures shown here are based on experiences and are given as a guideline, in coordination with our seal suppliers. Due to variable factors, such as temperatures, mechanical forces, media concentrations, and plant-specific operating parameters, the actual seal service life may vary.

The information provided is for general orientation only and Pentair SüdmO does not guarantee. Please contact us for application specific cases or complex operating conditions.

* Keep contact times as short as possible.

After the cleaning cycle, all product-wetted and product-related surfaces (e.g. leakage chamber in the double seat valve) must be rinsed with pure water. Long contact times with disinfection solutions in particular have to be avoided.



SÜDMO SVP SELECT

SINGLE SEAT VALVES

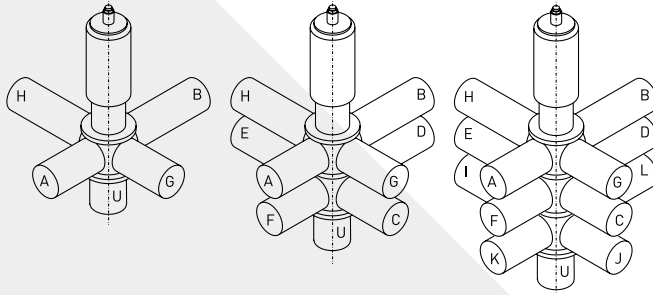
P ³ -DIAPHRAGM	PEEK (in combination with P ³ diaphragm)	PTFE BELLOW
150°C / 302°F 1°C / 33.8°F	150°C / 302°F 1°C / 33.8°F	120°C / 248°F 1°C / 33.8°F
150°C (6.3 bar) / 302°F (91.3 psi) 150°C (6.3 bar) / 302°F (91.3 psi)	150°C (6.3 bar) / 302°F (91.3 psi) 150°C (6.3 bar) / 302°F (91.3 psi)	120°C (1.8 bar) / 248°F (26.1 psi) 135°C (3.2 bar) / 275°F (46.4 psi)
Resistant to business specific detergent and cleaning concentrations!	Resistant to business specific detergent and cleaning concentrations!	Resistant to business specific detergent and cleaning concentrations!
Resistant to business specific detergent and cleaning concentrations!	Resistant to business specific detergent and cleaning concentrations!	Resistant to business specific detergent and cleaning concentrations!
Resistant to business specific detergent and cleaning concentrations!	Resistant to business specific detergent and cleaning concentrations!	Resistant to business specific detergent and cleaning concentrations!

SÜDMO SVP SELECT

SINGLE SEAT VALVES

1.0

PORT SPECIFICATION



For additional ports and/or differing standard port configuration, please specify ports with letters.

AIR REQUIREMENTS OF THE VALVE ACTUATORS

SIZE	DN10-20 OD 0.5"-0.75"	DN25 OD 1.0"	DN40 OD 1.5"	DN50 OD 2.0"	DN65 OD 2.5"	DN80 OD 3.0"	DN100 OD 4.0"
Actuator dimension in mm	ø 60	ø 100	ø 100	ø 100	ø 129	ø 150	ø 150
Volume in liter	0,05 l	0,25 l	0,25 l	0,25 l	0,50 l	0,80 l	0,80 l



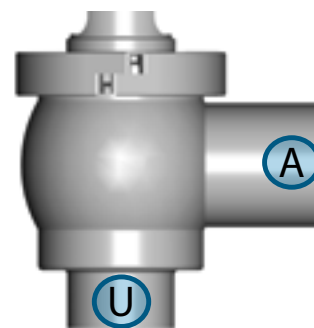
SÜDMO SVP SELECT

SINGLE SEAT VALVES

1.0

KVS/CVS-VALUES

FLOW MEASUREMENT



RIGHT ANGLE VALVES S270E/S370E

$$\Delta P [\text{bar}] = \left(\frac{Q [\text{m}^3/\text{h}]}{KV} \right)^2 \quad \Delta P [\text{PSI}] = \left(\frac{Q [\text{gal}/\text{min}]}{CV} \right)^2$$

DN 25/OD 1.0"

VALVE	CVS-VALUE	CVS-VALUE
Flow direction A -> U valve open	18,8	21,9
Flow direction U -> A valve open	20,2	23,5

DN 65/OD 2.5"

VALVE	CVS-VALUE	CVS-VALUE
Flow direction A -> U valve open	133,0	154,8
Flow direction U -> A valve open	132,0	153,6

DN 40/OD 1.5"

VALVE	CVS-VALUE	CVS-VALUE
Flow direction A -> U valve open	45,0	52,4
Flow direction U -> A valve open	46,0	53,5

DN 80/OD 3.0"

VALVE	CVS-VALUE	CVS-VALUE
Flow direction A -> U valve open	207,0	240,9
Flow direction U -> A valve open	189,0	219,9

DN 50/OD 2.0"

VALVE	CVS-VALUE	CVS-VALUE
Flow direction A -> U valve open	70,0	81,5
Flow direction U -> A valve open	78,2	91,0

DN 100/OD 4.0"

VALVE	CVS-VALUE	CVS-VALUE
Flow direction A -> U valve open	289,0	336,3
Flow direction U -> A valve open	280,0	325,9

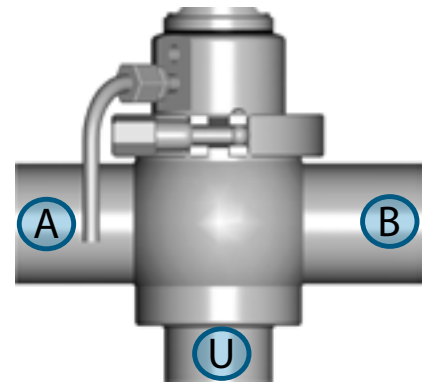
CVS: CVS-VALUE ACC. TO DIN EN 60534-2-3

SÜDMO SVP SELECT

SINGLE SEAT VALVES

KVS/CVS-VALUES

FLOW MEASUREMENT



DOUBLE RIGHT ANGLE VALVE A271D/A371D

$$\Delta P [\text{bar}] = \left(\frac{Q [\text{m}^3/\text{h}]}{KV} \right)^2 \quad \Delta P [\text{PSI}] = \left(\frac{Q [\text{gal}/\text{min}]}{CV} \right)^2$$

DN 25/OD 1.0"

VALVE	CVS-VALUE	CVS-VALUE
Flow direction A -> B valve open	20,9	24,3
Flow direction A -> U valve open	19,5	22,7
Flow direction U -> A valve closed	20,1	23,4

DN 65/OD 2.5"

VALVE	CVS-VALUE	CVS-VALUE
Flow direction A -> B valve open	176,0	204,8
Flow direction A -> U valve open	130,0	151,3
Flow direction U -> A valve closed	131,0	152,5

DN 40/OD 1.5"

VALVE	CVS-VALUE	CVS-VALUE
Flow direction A -> B valve open	52,0	60,5
Flow direction A -> U valve open	44,0	51,2
Flow direction U -> A valve closed	43,0	50,0

DN 80/OD 3.0"

VALVE	CVS-VALUE	CVS-VALUE
Flow direction A -> B valve open	266,0	309,6
Flow direction A -> U valve open	201,0	233,9
Flow direction U -> A valve closed	186,0	216,5

DN 50/OD 2.0"

VALVE	CVS-VALUE	CVS-VALUE
Flow direction A -> B valve open	92,3	107,4
Flow direction A -> U valve open	70,4	81,9
Flow direction U -> A valve closed	72,9	84,8

DN 100/OD 4.0"

VALVE	CVS-VALUE	CVS-VALUE
Flow direction A -> B valve open	441,0	513,2
Flow direction A -> U valve open	290,0	337,5
Flow direction U -> A valve closed	288,0	335,2

CVS: CVS-VALUE ACC. TO DIN EN 60534-2-3

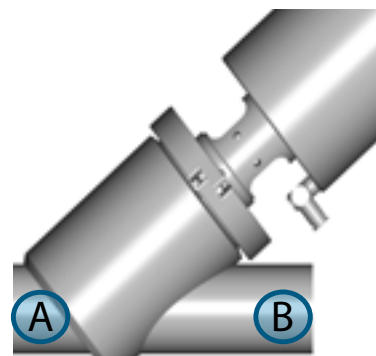


SÜDMO SVP SELECT

SINGLE SEAT VALVES

KVS/CVS-VALUES

FLOW MEASUREMENT



ANGULAR SEAT VALVE S280E/S380E

$$\Delta P [\text{bar}] = \left(\frac{Q [\text{m}^3/\text{h}]}{KV} \right)^2 \quad \Delta P [\text{PSI}] = \left(\frac{Q [\text{gal}/\text{min}]}{CV} \right)^2$$

DN 25/OD 1.0"

VALVE	CVS-VALUE	CVS-VALUE
Flow direction A -> B valve open	23,6	27,5

DN 65/OD 2.5"

VALVE	CVS-VALUE	CVS-VALUE
Flow direction A -> B valve open	100,0	116,4

DN 40/OD 1.5"

VALVE	CVS-VALUE	CVS-VALUE
Flow direction A -> B valve open	37,9	44,1

DN 80/OD 3.0"

VALVE	CVS-VALUE	CVS-VALUE
Flow direction A -> B valve open	148,0	172,2

DN 50/OD 2.0"

VALVE	CVS-VALUE	CVS-VALUE
Flow direction A -> B valve open	62,5	72,7

DN 100/OD 4.0"

VALVE	CVS-VALUE	CVS-VALUE
Flow direction A -> B valve open	218,0	253,7

CVS: CVS-VALUE ACC. TO DIN EN 60534-2-3

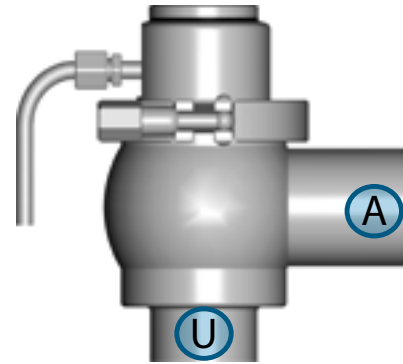
SÜDMO SVP SELECT

SINGLE SEAT VALVES

1.0

KVS/CVS-VALUES

FLOW MEASUREMENT



RIGHT ANGLE VALVES A270D/A370D

$$\Delta P [\text{bar}] = \left(\frac{Q [\text{m}^3/\text{h}]}{KV} \right)^2 \quad \Delta P [\text{PSI}] = \left(\frac{Q [\text{gal}/\text{min}]}{CV} \right)^2$$

DN 25/OD 1.0"

VALVE	CVS-VALUE	CVS-VALUE
Flow direction A -> U valve open	19,5	22,7
Flow direction U -> A valve open	20,1	23,4

DN 65/OD 2.5"

VALVE	CVS-VALUE	CVS-VALUE
Flow direction A -> U valve open	130,0	151,3
Flow direction U -> A valve open	131,0	152,5

DN 40/OD 1.5"

VALVE	CVS-VALUE	CVS-VALUE
Flow direction A -> U valve open	44,0	51,2
Flow direction U -> A valve open	43,0	50,0

DN 80/OD 3.0"

VALVE	CVS-VALUE	CVS-VALUE
Flow direction A -> U valve open	201,0	233,9
Flow direction U -> A valve open	186,0	216,5

DN 50/OD 2.0"

VALVE	CVS-VALUE	CVS-VALUE
Flow direction A -> U valve open	70,4	81,9
Flow direction U -> A valve open	72,9	84,8

DN 100/OD 4.0"

VALVE	CVS-VALUE	CVS-VALUE
Flow direction A -> U valve open	290,0	337,5
Flow direction U -> A valve open	288,0	335,2

CVS: CVS-VALUE ACC. TO DIN EN 60534-2-3

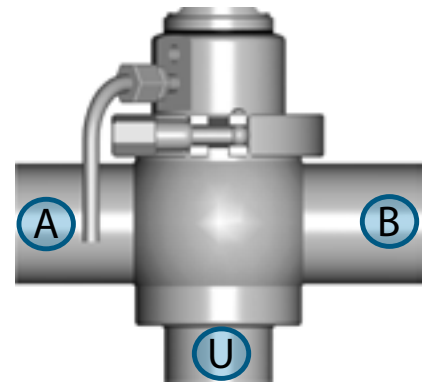


SÜDMO SVP SELECT

SINGLE SEAT VALVES

KVS/CVS-VALUES

FLOW MEASUREMENT



DOUBLE RIGHT ANGLE VALVE A271D/A371D

$$\Delta P [\text{bar}] = \left(\frac{Q [\text{m}^3/\text{h}]}{KV} \right)^2 \quad \Delta P [\text{PSI}] = \left(\frac{Q [\text{gal}/\text{min}]}{CV} \right)^2$$

DN 25/OD 1.0"

VALVE	CVS-VALUE	CVS-VALUE
Flow direction A -> U valve open	20,9	24,3
Flow direction A -> U valve open	19,5	22,7
Flow direction U -> A valve closed	20,1	23,4

DN 65/OD 2.5"

VALVE	CVS-VALUE	CVS-VALUE
Flow direction A -> U valve open	176,0	204,8
Flow direction A -> U valve open	130,0	151,3
Flow direction U -> A valve closed	131,0	152,5

DN 40/OD 1.5"

VALVE	CVS-VALUE	CVS-VALUE
Flow direction A -> U valve open	52,0	60,5
Flow direction A -> U valve open	44,0	51,2
Flow direction U -> A valve closed	43,0	50,0

DN 80/OD 3.0"

VALVE	CVS-VALUE	CVS-VALUE
Flow direction A -> U valve open	266,0	309,6
Flow direction A -> U valve open	201,0	233,9
Flow direction U -> A valve closed	186,0	216,5

DN 50/OD 2.0"

VALVE	CVS-VALUE	CVS-VALUE
Flow direction A -> U valve open	92,3	107,4
Flow direction A -> U valve open	70,4	81,9
Flow direction U -> A valve closed	72,9	84,8

DN 100/OD 4.0"

VALVE	CVS-VALUE	CVS-VALUE
Flow direction A -> U valve open	441,0	513,2
Flow direction A -> U valve open	290,0	337,5
Flow direction U -> A valve closed	288,0	335,2

CVS: CVS-VALUE ACC. TO DIN EN 60534-2-3

SÜDMO SVP SELECT

SINGLE SEAT VALVES

1.0



SÜDMO

HYGIENIC SVP SELECT SINGLE SEAT VALVES WITH PROFILE SEAL / O-RING

CONTENT

1.1.2 GENERAL INFORMATION AND TECHNICAL SPECIFICATION

1.1.4 DIMENSIONS AND TECHNICAL DRAWINGS

1.1.10 ID NUMBERS

SÜDMO SVP SELECT HYGIENIC SINGLE SEAT VALVES

SVP SELECT HYGIENIC SINGLE SEAT VALVES

The SVP Select valves are ideal to use in hygienic process areas for the food and beverage industries. Easy and fast maintenance, good cleanability and sump and dome free design are standard elements of the valve line.

Benefits:

- Body machined from a solid piece
- Modular system suitable for all applications (a subsequent conversion to an aseptic valve design is easily possible)
- Actuator with low maintenance demand



SÜDMO SVP SELECT

HYGIENIC SINGLE SEAT VALVES

TECHNICAL SPECIFICATION	
Materials	Product wetted parts 1.4404 (AISI 316 L)
	Optional 1.4435 (AISI 316 L) Other materials on request
	Parts not product wetted 1.4301 (AISI 304), 1.4307 (AISI 304 L)
Sealing Elements	Sealing materials (FDA) EPDM Other sealing materials on request
Temperatures	Continuous operating temperature EPDM 130°C/266°F *
	Sterilization temperature EPDM 150°C/302°F * (approx. 20 min.)
Pressures	Operating pressure 10 bar (145 psi) with sizes DN 10-20, OD-Tube/Zoll 0.5"/0.75", ISO 08-15 6 bar (87 psi) with sizes DN 25-100, OD-Tube/Zoll 1"-4", ISO 25-80 5 bar (72.5 psi) with sizes DN 125-150, OD-Tube/Zoll 6", ISO 100-125 Higher pressures on request
	Control pressure Min. 5 bar (72.5 psi) - max. 8 bar (116 psi) with DN 10-20, OD-Tube/Zoll 0.5"/0.75", ISO 08/15 Min. 6 bar (87 psi) - max. 8 bar (116 psi) with DN 25-150, OD-Tube/Zoll 1"-6", ISO 25-125
	Optional Booster: in case of insufficient control air pressure
Surfaces	Product wetted surfaces Ra ≤ 0,8 µm
	Surfaces not product wetted Bright-turned, Ra 1,6 µm
	Optional Product wetted surfaces e-polished, higher quality surfaces
Connections	Standard Welding ends for pipes acc. to DIN 11850 series 2 (DIN 11866 series A), OD-Tube/Zoll (ASTM A270, DIN 11866 series C, ASME BPE-2009) and DIN EN ISO 1127 (DIN 11866 Series B)
	Optional Other tube diameters on request

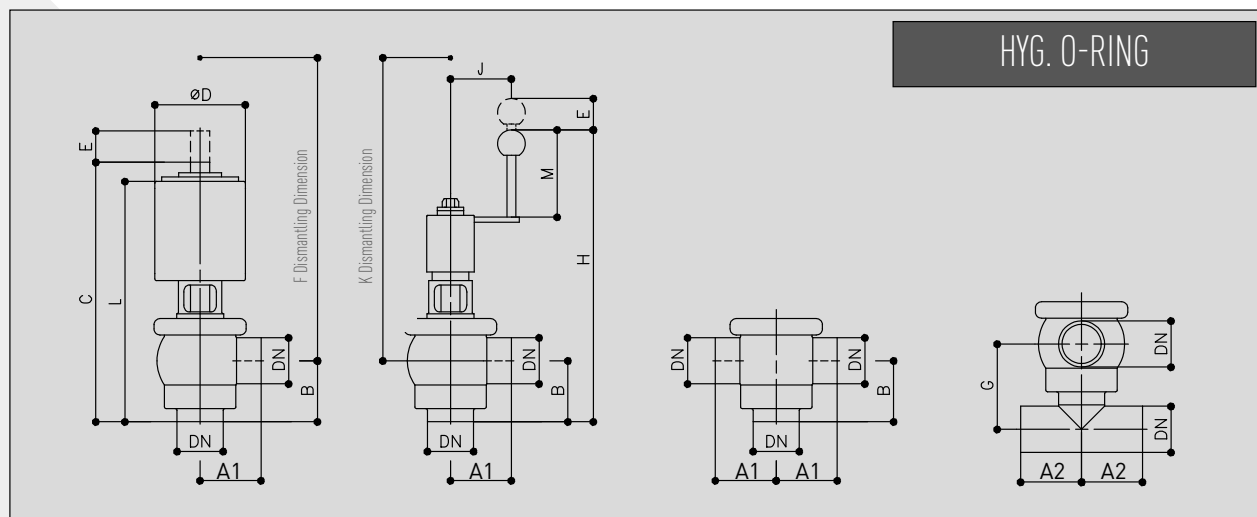
* Depending on operating parameters

SVP SELECT HYGIENIC RIGHT ANGLE VALVE

SVP SELECT HYGIENIC DOUBLE RIGHT ANGLE VALVE

SVP SELECT HYGIENIC CROSS VALVE

1.1



Right Angle Valve

Double Right Angle Valve

Cross Valve

manual	Select S 270 E	Select S 271 E	Select S 272 E
pneumatic	Select S 370 E	Select S 371 E	Select S 372 E

METRIC		A1	A2	B	C	ØD	E	F	G	H	J	K	L	M	kg
DN	Tube														
10	¹¹ Ø13 x 1.5	45	33	45	203	64.5	6	203.5	52.5	195.5	39	202.5	182.5	20	
15	¹¹ Ø19 x 1.5	45	33	45	203	64.5	6	203.5	55.5	195.5	39	202.5	182.5	20	
20	¹¹ Ø23 x 1.5	45	38	45	203	64.5	6	203.5	57.5	195.5	39	202.5	182.5	20	
25	Ø29 x 1.5	80	48	60	278	104	22	280	75.5	324	70	325	256	100	5.3
40	Ø41 x 1.5	80	58	60	281	104	17	290	82.5	327	70	340	260	100	5.3
50	Ø53 x 1.5	100	78	70	293	104	21	310	99.5	340	70	350	276	100	6.3
65	Ø70 x 2.0	100	100	80	354	129	27	380	119.5	381	100	405	338	100	9.7
80	Ø85 x 2.0	120	125	90	438	154	30	460	137	406	100	435	415	100	13.7
100	²¹ Ø104 x 2.0	150	150	100	456	154	31	550	157.5	424	100	460	434	100	16.2
125	Ø129 x 2.0	150	180	125	562	204	40	610	198.5	580	360	630	524	95	50.0
150	Ø154 x 2.0	175	220	150	590	204	50	640	239.5	608	360	660	561	95	56.0

OD-TUBE		A1	A2	B	C	ØD	E	F	G	H	J	K	L	M	kg
DN	Tube														
0.5"	¹¹ Ø12.70 x 1.65	45	45	45	203	64.5	6	203.5	52.3	195.5	39	202.5	182.5	20	
0.75"	¹¹ Ø19.05 x 1.65	45	48	45	203	64.5	6	203.5	55.5	195.5	39	202.5	182.5	20	
1.0"	Ø25.40 x 1.65	80	52	50	273	104	13	275	63.7	320	70	320	242	100	5.3
1.5"	Ø38.10 x 1.65	80	58	55	281	104	10	285	75.6	327	70	330	253	100	5.3
2.0"	Ø50.80 x 1.65	100	70	65	294	104	14	305	93.4	340	70	350	270	100	6.3
2.5"	Ø63.50 x 1.65	100	78	70	350	129	18	375	104.8	377	100	400	325	100	9.7
3.0"	Ø76.20 x 1.65	120	84	80	432	154	22	455	122.6	400	100	425	400	100	13.7
4.0"	²¹ Ø101.60 x 2.11	150	102	90	447	154	28	545	146.3	416	100	460	423	100	16.2
6.0"	Ø152.40 x 2.77	175	140	150	590	204	50	640	239.6	608	360	660	561	95	56.0

ISO		A1	A2	B	C	ØD	E	F	G	H	J	K	L	M	kg
DN	Tube														
8	Ø13.5 x 1.6	45	32	45	203	64.5	6	203.5	52.5	195.5	39	202.5	182.5	20	
10	Ø17.2 x 1.6	45	34	45	203	64.5	6	203.5	54.6	195.5	39	202.5	182.5	20	
15	Ø21.3 x 1.6	45	36	45	203	64.5	6	203.5	56.7	195.5	39	202.5	182.5	20	
25	Ø33.7 x 2.0	80	58	60	278	104	22	280	78	324	70	325	256	100	
40	Ø48.3 x 2.0	100	63	70	293	104	21	310	96.2	340	70	350	276	100	
50	Ø60.3 x 2.0	100	88	80	354	129	27	380	113.2	381	100	405	338	100	
65	Ø76.1 x 2.0	120	108	90	438	154	30	460	130.6	406	100	435	415	100	
80	²¹ Ø88.9 x 2.3	150	128	100	456	154	31	550	149	424	100	460	434	100	
100	Ø114.3 x 2.3	150	180	125	562	204	40	610	198.5	580	360	630	524	95	
125	Ø139.7 x 2.6	175	220	150	590	204	50	640	239.5	608	360	660	561	95	

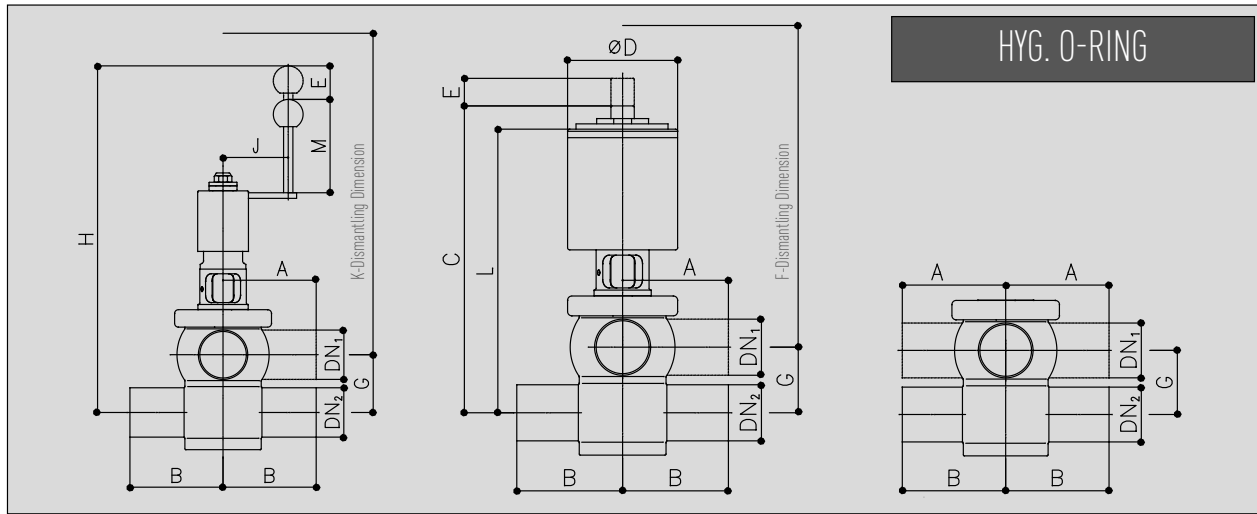
¹¹ DN 10-20/OD-Tube 0.5"-0.75"/ISO 8-15 aseptic executions as standard P²-diaphragm / O-Ring

²¹ Pneumatic valves spring to open-air to close (6 bar control pressure) standard with booster size II (dismantling dimensions already considered)



SVP SELECT HYGIENIC SAMPLING VALVE

SVP SELECT HYGIENIC STRAIGHT-WAY VALVE



Sampling Valve - 3 x welding ports

Straight Way Valve - 4 x welding ports

manual	Select S 273 E	Select S 274 E
pneumatic	Select S 373 E	Select S 374 E

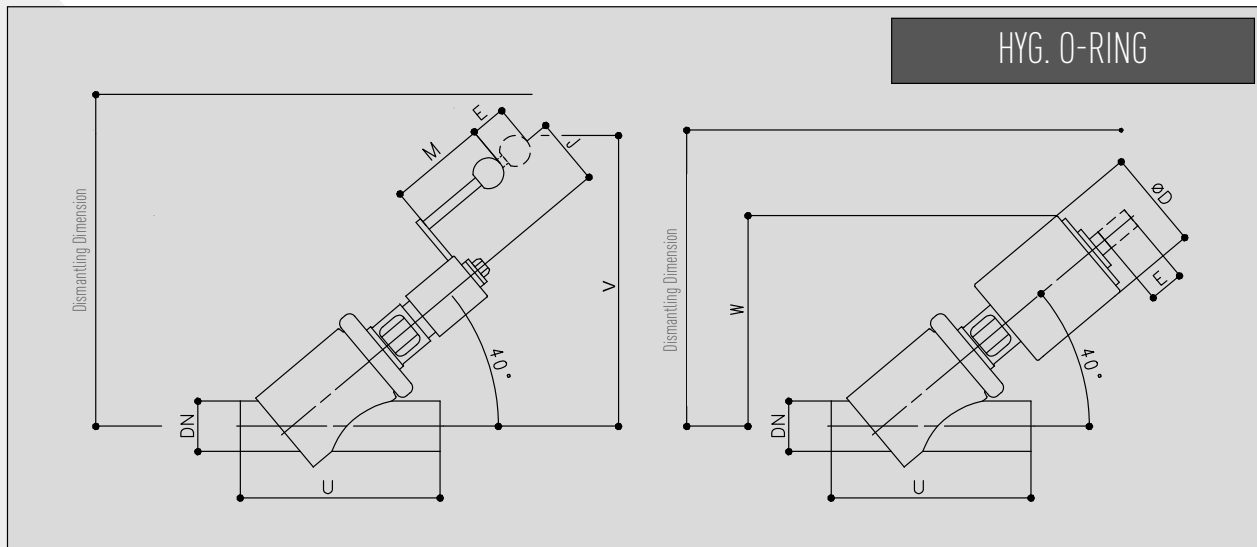
METRIC			A	B	C	ØD	E	F	G	H	J	K	L	M	kg
DN	Tube DN ₁	Tube DN ₂													
25 / 25	Ø29 x 1.5	Ø29 x 1.5	80	80	264	104	22	295	41	303	70	335	235	100	
25 / 40	Ø29 x 1.5	Ø41 x 1.5	80	80	271	104	22	295	48	310	70	335	242	100	
25 / 50	Ø29 x 1.5	Ø53 x 1.5	80	100	277	104	22	295	54	316	70	335	248	100	
40 / 40	Ø41 x 1.5	Ø41 x 1.5	80	80	274	104	17	305	50	317	70	345	250	100	
40 / 50	Ø41 x 1.5	Ø53 x 1.5	80	100	280	104	17	305	56	323	70	345	256	100	
40 / 65	Ø41 x 1.5	Ø70 x 2.0	80	100	288	104	17	305	64	331	70	345	264	100	
50 / 50	Ø53 x 1.5	Ø53 x 1.5	100	100	290	104	21	320	62	332	70	345	268	100	
50 / 65	Ø53 x 1.5	Ø70 x 2.0	100	100	298	104	21	320	70	340	70	345	276	100	
50 / 80	Ø53 x 1.5	Ø85 x 2.0	100	120	306	104	21	320	78	348	70	345	284	100	
65 / 65	Ø70 x 2.0	Ø70 x 2.0	100	100	418	129	27	470	80	381	100	425	415	100	
65 / 80	Ø70 x 2.0	Ø85 x 2.0	100	120	426	129	27	470	88	389	100	425	423	100	

OD-TUBE			A	B	C	ØD	E	F	G	H	J	K	L	M	kg
DN	Tube DN ₁	Tube DN ₂													
1.0" / 1.0"	Ø25.40 x 1.65	Ø25.40 x 1.65	80	80	256	104	13	290	35	295	70	330	227	100	
1.0" / 1.5"	Ø25.40 x 1.65	Ø38.10 x 1.65	80	80	262	104	13	290	42	301	70	330	233	100	
1.0" / 2.0"	Ø25.40 x 1.65	Ø50.80 x 1.65	80	100	267	104	13	290	48	306	70	330	238	100	
1.5" / 1.5"	Ø38.10 x 1.65	Ø38.10 x 1.65	80	80	268	104	10	300	43	311	70	340	244	100	
1.5" / 2.0"	Ø38.10 x 1.65	Ø50.80 x 1.65	80	100	274	104	10	300	50	317	70	340	250	100	
1.5" / 2.5"	Ø38.10 x 1.65	Ø63.50 x 1.65	80	100	278	104	10	300	56	321	70	340	254	100	
2.0" / 2.0"	Ø50.80 x 1.65	Ø50.80 x 1.65	100	100	283	104	14	315	60	325	70	340	261	100	
2.0" / 2.5"	Ø50.80 x 1.65	Ø63.50 x 1.65	100	100	288	104	14	315	67	330	70	340	266	100	
2.0" / 3.0"	Ø50.80 x 1.65	Ø76.20 x 1.65	100	120	294	104	14	315	73	336	70	340	272	100	
2.5" / 2.5"	Ø63.50 x 1.65	Ø63.50 x 1.65	100	100	414	129	18	465	73	377	100	420	411	100	
2.5" / 3.0"	Ø63.50 x 1.65	Ø76.20 x 1.65	100	120	421	129	18	465	80	384	100	420	418	100	

ISO			A	B	C	ØD	E	F	G	H	J	K	L	M	kg
DN	Tube DN ₁	Tube DN ₂													
25 / 25	Ø33.7 x 2.0	Ø33.7 x 2.0	80	80	264	104	22	295	41	303	70	335	235	100	
25 / 40	Ø33.7 x 2.0	Ø48.3 x 2.0	80	100	273	104	22	295	48	312	70	335	244	100	
25 / 50	Ø33.7 x 2.0	Ø60.3 x 2.0	80	100	279	104	22	295	54	318	70	335	250	100	
40 / 40	Ø48.3 x 2.0	Ø48.3 x 2.0	100	100	284	104	27	320	60	326	70	345	263	100	
40 / 50	Ø48.3 x 2.0	Ø60.3 x 2.0	100	100	290	104	27	320	65	332	70	345	268	100	
40 / 65	Ø48.3 x 2.0	Ø76.1 x 2.0	100	120	306	104	27	320	73	348	70	345	284	100	
50 / 50	Ø60.3 x 2.0	Ø60.3 x 2.0	100	100	408	129	30	470	76	370	100	425	404	100	
50 / 65	Ø60.3 x 2.0	Ø76.1 x 2.0	100	120	419	129	30	470	84	378	100	425	412	100	
50 / 80	Ø60.3 x 2.0	Ø88.9 x 2.3	100	150	425	129	31	470	90	384	100	425	420	100	

SVP SELECT HYGIENIC ANGULAR SEAT VALVE

1.1



Angular Seat Valve

manual
pneumatic

Select S 280 E
Select S 380 E

METRIC											
DN	Tube	ØD	E	J	M	U	V	W	X	Y	kg
10	¹⁾ Ø13 x 1.5	64.5	7	39	20	145	140	135	175	180	
15	¹⁾ Ø19 x 1.5	64.5	7	39	20	145	140	135	175	180	
20	¹⁾ Ø23 x 1.5	64.5	7	39	20	145	140	135	175	180	
25	Ø29 x 1.5	104	20	70	100	160	288	210	260	335	
40	Ø41 x 1.5	104	20	70	100	185	293	217	275	350	
50	Ø53 x 1.5	104	25	70	100	210	298	222	290	365	
65	Ø70 x 2.0	129	30	100	100	250	369	277	350	435	
80	Ø85 x 2.0	154	40	100	100	300	384	341	425	465	
100	²⁾ Ø104 x 2.0	154	40	100	100	330	397	400	500	505	
125	Ø129 x 2.0	204	40	360	95	450	580	450	670	740	
150	Ø154 x 2.0	204	50	360	95	525	610	475	720	800	

OD-TUBE											
DN	Tube	ØD	E	J	M	U	V	W	X	Y	kg
0.5"	¹⁾ Ø12.70 x 1.65	64.5	7	39	20	145	140	135	175	180	
0.75"	¹⁾ Ø19.05 x 1.65	64.5	7	39	20	145	140	135	175	180	
1.0"	Ø25.40 x 1.65	104	20	70	100	160	288	206	254	335	
1.5"	Ø38.10 x 1.65	104	20	70	100	185	293	214	271	350	
2.0"	Ø50.80 x 1.65	104	25	70	100	210	298	200	288	365	
2.5"	Ø63.50 x 1.65	129	30	100	100	250	369	271	344	435	
3.0"	Ø76.20 x 1.65	154	40	100	100	300	384	333	417	465	
4.0"	²⁾ Ø101.60 x 2.11	154	40	100	100	330	397	393	493	505	
6.0"	Ø152.40 x 2.77	204	40	360	95	525	610	475	720	800	

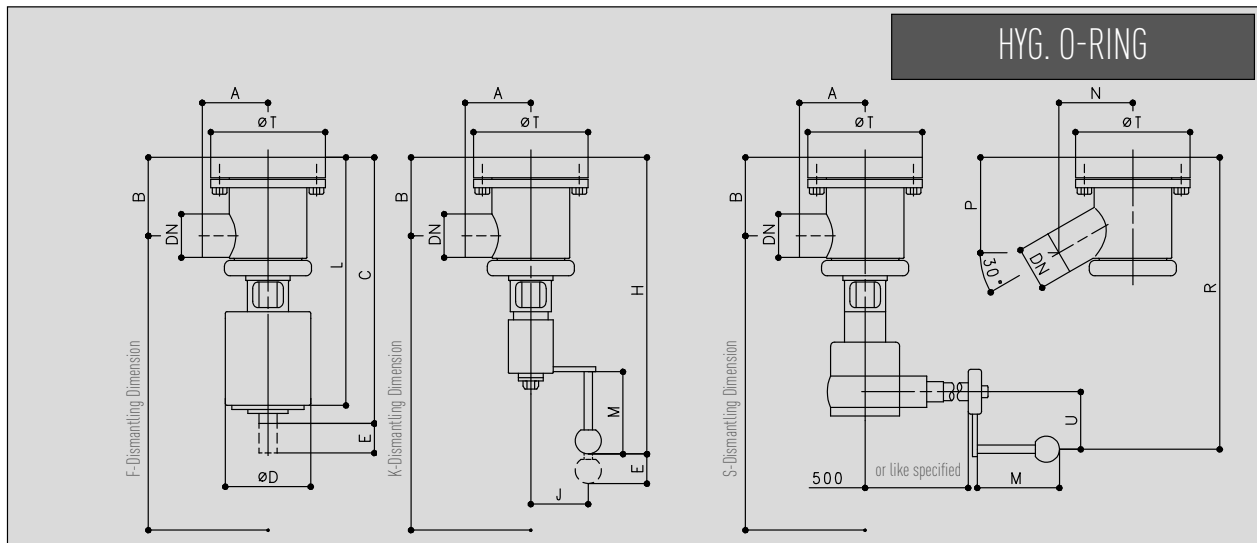
ISO											
DN	Tube	ØD	E	J	M	U	V	W	X	Y	kg
8	¹⁾ Ø13.5 x 1.6	64.5	7	39	20	145	140	135	175	180	
10	¹⁾ Ø17.2 x 1.6	64.5	7	39	20	145	140	135	175	180	
15	¹⁾ Ø21.3 x 1.6	64.5	7	39	20	145	140	135	175	180	
25	Ø33.7 x 2.0	104	20	70	100	160	288	210	260	335	
40	Ø48.3 x 2.0	104	25	70	100	210	298	222	290	365	
50	Ø60.3 x 2.0	129	30	100	100	250	369	277	350	435	
65	Ø76.1 x 2.0	154	40	100	100	300	384	341	42	465	
80	²⁾ Ø88.9 x 2.3	154	40	100	100	330	397	400	500	505	
100	Ø114.3 x 2.3	204	40	360	95	570	588	458	680	750	
140	Ø139.7 x 2.6	204	50	360	95	655	618	483	730	810	

¹⁾ DN 10-20/OD-Tube 0.5"-0.75"/ISO 8-15 aseptic executions as standard P³-diaphragm / O-Ring

²⁾ Pneumatic valves spring to open-air to close (6 bar control pressure) standard with booster size II (dismantling dimensions already considered)



SVP SELECT HYGIENIC BOTTOM SEAT VALVE



Bottom Seat Valve 90°

Bottom Seat Valve 30°

manual	Select S 285 E	Select S 286 E
pneumatic	Select S 385 E	Select S 386 E
Bevelled wheel drive	Select S 287 E	Select S 288 E

METRIC		A	B	C	ØD	E	F	H	J	K	L	M	N	P	R	S	ØT	kg
DN 10 ¹⁾	Ø13 x 1.5	50	50.5	203.5	64.5	7	273.5	188.5	39	258.5	192.5	20	50	64	231	255	88	
15 ¹⁾	Ø19 x 1.5	50	47.5	203.5	64.5	7	273.5	188.5	39	258.5	192.5	20	50	61	231	255	88	
20 ¹⁾	Ø23 x 1.5	50	45.5	203.5	64.5	7	273.5	188.5	39	258.5	192.5	20	50	58.5	231	255	88	
25	Ø29 x 1.5	70	79	291	104	20	320	337	70	365	273	100	70	94	337	340	129.5	8.6
40	Ø41 x 1.5	70	90	308	104	20	345	355	70	390	290	100	80	111	355	370	129.5	8.3
50	Ø53 x 1.5	80	96	315	104	25	360	360	70	405	302	100	90	116	366	380	139.5	9.6
65	Ø70 x 2.0	90	113	384	129	30	440	411	100	470	371	100	100	132	391	415	169.5	15.6
80	Ø85 x 2.0	100	133	471	154	40	535	439	100	505	458	100	110	153	469	490	179.5	20.0
100 ²⁾	Ø104 x 2.0	120	161	508	154	40	575	476	100	550	495	100	140	188	507	530	209.5	25.8
125	Ø129 x 2.0	180	182	618	204	40	880	640	360	900	580	95	190	220			308	
150	Ø154 x 2.0	200	197	636	204	50	930	655	360	945	608	95	210	235			348	

OD-TUBE		A	B	C	ØD	E	F	H	J	K	L	M	N	P	R	S	ØT	kg
0.5" ¹⁾	Ø12.70 x 1.65	45	51	203.5	64.5	7	273.5	188.5	39	258.5	192.5	20	50	64.5	231	255	88	
0.75" ¹⁾	Ø19.05 x 1.65	45	47.5	203.5	64.5	7	273.5	188.5	39	258.5	192.5	20	50	61	231	255	88	
1.0"	Ø25.40 x 1.65	70	81	291	104	20	320	337	70	365	273	100	70	97	337	340	129.5	8.6
1.5"	Ø38.10 x 1.65	70	92	308	104	20	345	355	70	390	290	100	80	112.5	355	370	129.5	8.3
2.0"	Ø50.80 x 1.65	80	97	315	104	25	360	360	70	405	302	100	90	118	366	380	139.5	9.6
2.5"	Ø63.50 x 1.65	90	116	384	129	30	440	411	100	470	371	100	100	135.5	391	415	169.5	15.6
3.0"	Ø76.20 x 1.65	100	137	471	154	40	535	439	100	505	458	100	110	157.5	469	490	179.5	20.0
4.0" ²⁾	Ø101.60 x 2.11	120	163	508	154	40	575	476	100	550	495	100	140	189.5	507	530	209.5	25.8
6.0"	Ø152.40 x 2.77	200	198	636	204	40	930	655	360	945	608	95	210	235			348	

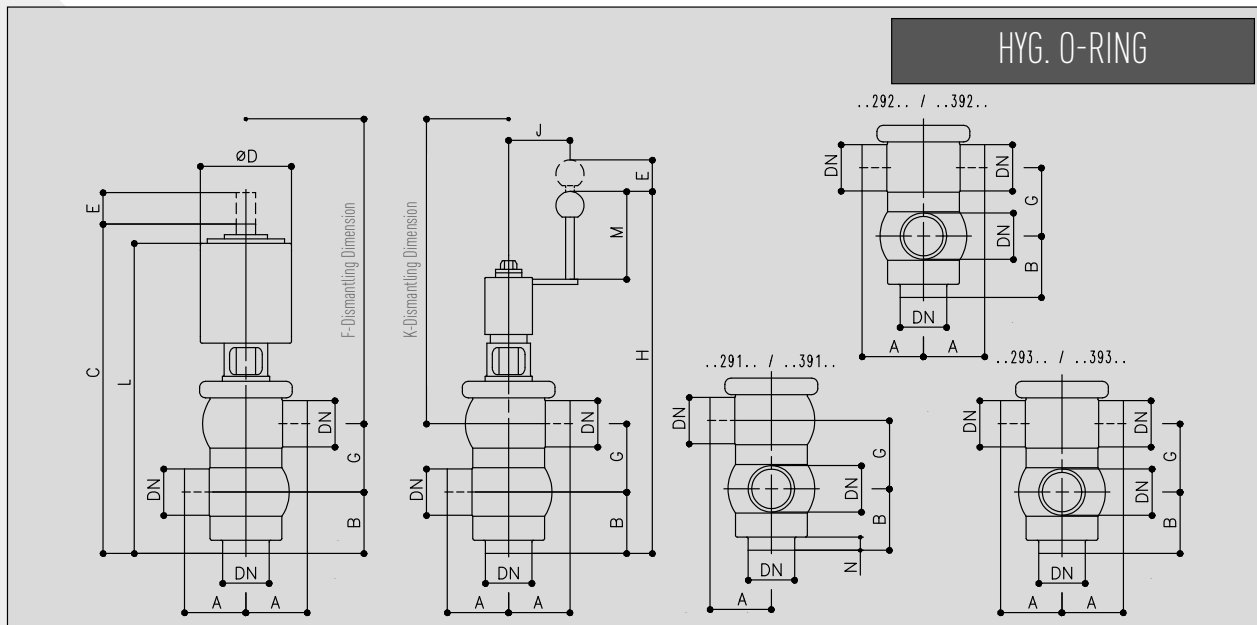
ISO		A	B	C	ØD	E	F	H	J	K	L	M	N	P	R	S	ØT	kg
DN 8 ¹⁾	Ø13.5 x 1.6	50	50.5	203.5	64.5	7	273.5	188.5	39	258.5	192.5	20	50	64	231	255	88	
10 ¹⁾	Ø17.2 x 1.6	50	47.5	203.5	64.5	7	273.5	188.5	39	258.5	192.5	20	50	62	231	255	88	
15 ¹⁾	Ø21.3 x 1.6	50	45.5	203.5	64.5	7	273.5	188.5	39	258.5	192.5	20	50	59.5	231	255	88	
25	Ø33.7 x 2.0	70	77	291	104	20	320	337	70	365	273	100	70	92.5	337	340	129.5	
40	Ø48.3 x 2.0	80	98.5	315	104	25	360	360	70	405	302	100	90	116	366	380	139.5	
50	Ø60.3 x 2.0	90	117.5	384	129	30	440	411	100	470	371	100	100	132	391	415	169.5	
65	Ø76.1 x 2.0	100	137.5	471	154	40	535	439	100	505	458	100	110	153	469	490	179.5	
80 ²⁾	Ø88.9 x 2.3	120	161	508	154	40	575	467	100	550	495	100	140	188	507	530	209.5	
100	Ø114.3 x 2.3	180	189	618	204	40	880	640	360	900	580	95	190	229			308	
125	Ø139.7 x 2.6	200	205	636	204	50	930	655	360	945	608	95	210	244			348	

¹⁾ DN 10-20/OD-Tube 0.5"-0.75"/ISO 8-15 aseptic executions as standard P3-diaphragm / O-Ring

²⁾ Pneumatic valves spring to open-air to close (6 bar control pressure) standard with booster size II (dismantling dimensions already considered)

SVP SELECT HYGIENIC CHANGE OVER VALVE SINGLE-PIECE HOUSING

1.1



Change Over Valve 3 x welding end

USV 4 x Schw

USV 4 x Schw

USV 5 x Schw

manual	Select S 290 E	Select S 291 E	Select S 292 E	Select S 293 E
pneumatic	Select S 390 E	Select S 391 E	Select S 392 E	Select S 393 E

METRIC		A	B	C	ØD	E	F	G	H	J	K	L	M	N	kg
DN	Tube														
10	¹⁾ Ø13 x 1.5	45	45	243	64.5	10	270	40	235.5	39	283	222.5	20	13	
15	¹⁾ Ø19 x 1.5	45	45	243	64.5	10	270	40	235.5	39	283	222.5	20	13	
20	¹⁾ Ø23 x 1.5	45	45	243	64.5	10	270	40	235.5	39	283	222.5	20	13	
25	Ø29 x 1.5	80	60	332	104	20	330	54	378	70	380	314	100	25.5	6.5
40	Ø41 x 1.5	80	60	344	104	20	355	66	390	70	400	326	100	25.5	6.6
50	Ø53 x 1.5	100	70	367	104	25	380	78	413	70	425	354	100	25.5	8.1
65	Ø70 x 2.0	100	80	445	129	30	465	94	472	100	495	432	100	25.5	12.7
80	Ø85 x 2.0	120	90	537	154	40	560	109	505	100	525	524	100	25.5	17.2
100	²⁾ Ø104 x 2.0	150	100	575	154	40	570	128	543	100	570	562	100	25.5	25.3

OD-TUBE		A	B	C	ØD	E	F	G	H	J	K	L	M	N	kg
DN	Tube														
0.5"	¹⁾ Ø12.70 x 1.65	45	45	243	64.5	10	270	40	235.5	39	283	222.5	20	13	
0.75"	¹⁾ Ø19.05 x 1.65	45	45	243	64.5	10	270	40	235.5	39	283	222.5	20	13	
1.0"	Ø25.40 x 1.65	80	50	310	104	20	315	50.1	356	70	355	292	100	25.5	6.5
1.5"	Ø38.10 x 1.65	80	55	334	104	20	340	62.8	380	70	390	316	100	25.5	6.6
2.0"	Ø50.80 x 1.65	100	65	358	104	25	370	75.5	405	70	415	345	100	25.5	8.1
2.5"	Ø63.50 x 1.65	100	70	426	129	30	450	88.2	453	100	475	413	100	25.5	12.7
3.0"	Ø76.20 x 1.65	120	80	514	154	40	540	100.8	483	100	505	501	100	25.5	17.2
4.0"	²⁾ Ø101.60 x 2.11	150	90	561	154	40	565	125.4	529	100	565	548	100	25.5	25.3

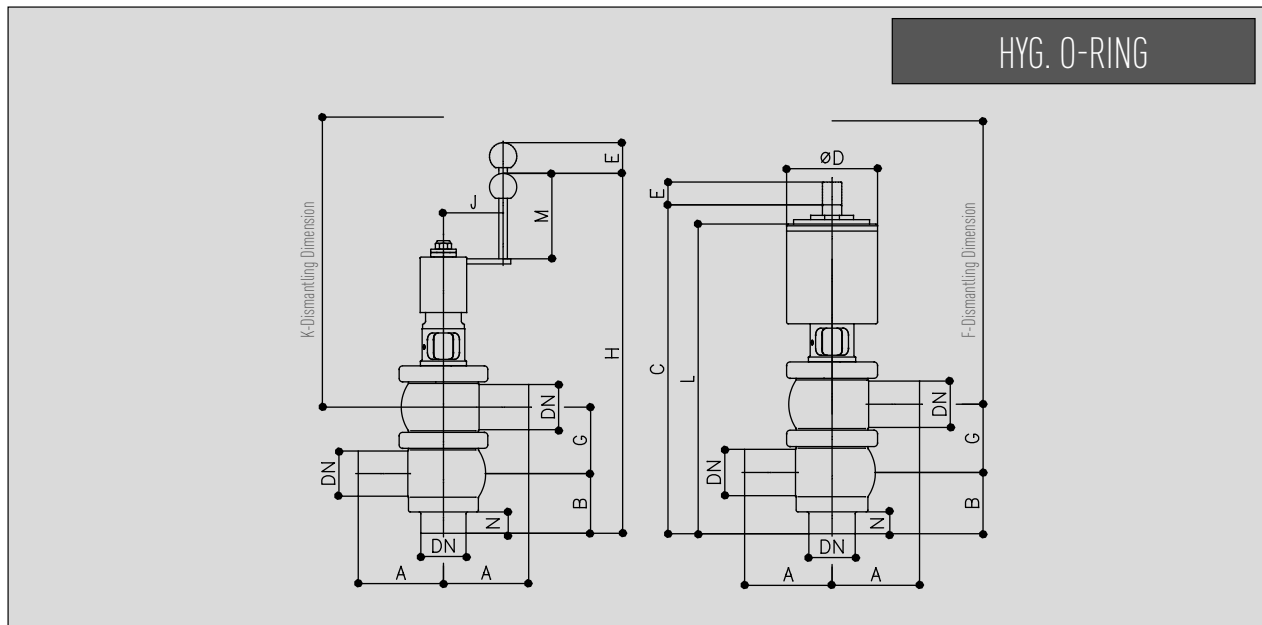
ISO		A	B	C	ØD	E	F	G	H	J	K	L	M	N	kg
DN	Tube														
8	¹⁾ Ø13.5 x 1.6	45	45	243	64.5	10	270	40	235.5	39	283	222.5	20	13	
10	¹⁾ Ø17.2 x 1.6	45	45	243	64.5	10	270	40	235.5	39	283	222.5	20	13	
15	¹⁾ Ø21.3 x 1.6	45	45	243	64.5	10	270	40	235.5	39	283	222.5	20	13	
25	Ø33.7 x 2.0	80	60	332	104	20	330	58	378	70	380	314	100	25.5	
40	Ø48.3 x 2.0	100	70	367	104	25	380	78	413	70	425	354	100	25.5	
50	Ø60.3 x 2.0	100	80	445	129	30	465	94	472	100	495	432	100	25.5	
65	Ø76.1 x 2.0	120	90	537	154	40	560	109	505	100	525	524	100	25.5	
80	²⁾ Ø88.9 x 2.3	150	100	575	154	40	570	128	543	100	570	562	100	25.5	

¹⁾ DN 10-20/OD-Tube 0.5"-0.75"/ISO 8-15 aseptic executions as standard P³-diaphragm / O-Ring

²⁾ Pneumatic valves spring to open-air to close (6 bar control pressure) standard with booster size II (dismantling dimensions already considered)



SVP SELECT HYGIENIC CHANGE OVER VALVE SPLIT HOUSING



Change Over Valve 3 x welding end
Umstellventil 3 x Schweißende

manual	S 290 E 2G
pneumatic	S 390 E 2G

METRIC		A	B	C	ØD	E	F	G	H	J	K	L	M	N	kg
DN	Tube														
25	Ø29 x 1.5	80	60	332	104	20	330	54	378	70	380	314	100	25.5	
40	Ø41 x 1.5	80	60	344	104	20	355	66	390	70	400	326	100	25.5	
50	Ø53 x 1.5	100	70	367	104	25	380	78	413	70	425	354	100	25.5	
65	Ø70 x 2.0	100	80	445	129	30	465	94	472	100	495	432	100	25.5	
80	Ø85 x 2.0	120	90	537	154	40	560	109	505	100	525	524	100	25.5	
100	¹⁾ Ø104 x 2.0	150	100	575	154	40	570	128	543	100	570	562	100	25.5	
125	²⁾ Ø129 x 2.0	150	125	800	204	40	603	167	747	180	753	824	95	40	
150	²⁾ Ø154 x 2.0	175	150	920	204	47	678	192	800	180	798	887	95	50	

OD-TUBE		A	B	C	ØD	E	F	G	H	J	K	L	M	N	kg
DN	Tube														
1.0"	Ø25.40 x 1.65	80	50	310	104	20	315	50.1	356	70	355	292	100	25.5	
1.5"	Ø38.10 x 1.65	80	55	334	104	20	340	62.8	380	70	390	316	100	25.5	
2.0"	Ø50.80 x 1.65	100	65	358	104	25	370	75.5	405	70	415	345	100	25.5	
2.5"	Ø63.50 x 1.65	100	70	426	129	30	450	88.2	453	100	475	413	100	25.5	
3.0"	Ø76.20 x 1.65	120	80	514	154	40	540	100.8	483	100	505	501	100	25.5	
4.0"	¹⁾ Ø101.60 x 2.11	150	90	561	154	40	565	125.4	529	100	565	548	100	25.5	
6.0"	²⁾ Ø152.40 x 2.77	175	150	920	204	47	678	192	800	180	798	887	95	50	

ISO		A	B	C	ØD	E	F	G	H	J	K	L	M	N	kg
DN	Tube														
25	Ø33.7 x 2.0	80	60	332	104	20	330	58	378	70	380	314	100	25.5	
40	Ø48.3 x 2.0	100	70	367	104	25	380	78	413	70	425	354	100	25.5	
50	Ø60.3 x 2.0	100	80	445	129	30	465	94	472	100	495	432	100	25.5	
65	Ø76.1 x 2.0	120	90	537	154	40	560	109	505	100	525	524	100	25.5	
80	¹⁾ Ø88.9 x 2.3	150	100	575	154	40	570	128	543	100	570	562	100	25.5	
100	²⁾ Ø114.3 x 2.3	150	125	800	204	40	603	167	741	180	753	824	95	40	
125	²⁾ Ø139.7 x 2.6	175	150	920	204	47	678	192	800	180	798	887	95	50	

¹⁾ Pneumatic Change Over Valves standard with booster size II XL (dismantling dimensions already considered)

²⁾ Pneumatic Change Over Valves S 394 standard with booster size II (dismantling dimensions already considered)

SVP SELECT HYGIENIC RIGHT ANGLE VALVE

SVP SELECT HYGIENIC DOUBLE RIGHT ANGLE VALVE

SVP SELECT HYGIENIC CROSS VALVE

1.1

Hyg. Right Angle Valve with O-Ring (EPDM)

Select S 270 E manual



METRIC	ID-NO.	OD-TUBE	ID-NO.	ISO	ID-NO.
10 ¹⁾	2323367			8 ¹⁾	2309785
15 ¹⁾	2309782	0.5" ¹⁾	2323369	10 ¹⁾	2309786
20 ¹⁾	2323368	0.75" ¹⁾	2309784	15 ¹⁾	2309787
25	2304000	1.0"	2304006	25	2309708
40	2304001	1.5"	2304007		
50	2304002	2.0"	2304008	40	2309709
65	2304003	2.5"	2304009	50	2309710
80	2304004	3.0"	2304010	65	2309711
100	2304005	4.0"	2304011	80	2309712
125	2301694			100	2301801
150	2301696	6.0"	2301800	125	2301802

Hyg. Double Right Angle Valve with O-Ring (EPDM)

Select S 271 E manual



METRIC	ID-NO.	OD-TUBE	ID-NO.	ISO	ID-NO.
10 ¹⁾	2309793			8 ¹⁾	2309798
15 ¹⁾	2309794	0.5" ¹⁾	2309796	10 ¹⁾	2309799
20 ¹⁾	2309795	0.75" ¹⁾	2309797	15 ¹⁾	2309800
25	2304012	1.0"	2304018	25	2309721
40	2304013	1.5"	2304019		
50	2304014	2.0"	2304020	40	2309722
65	2304015	2.5"	2304021	50	2309723
80	2304016	3.0"	2304022	65	2309724
100	2304017	4.0"	2304023	80	2309725
125	2301803			100	2301807
150	2301804	6.0"	2301806	125	2301808

Hyg. Cross Valve with O-Ring (EPDM)

Select S 272 E manual



METRIC	ID-NO.	OD-TUBE	ID-NO.	ISO	ID-NO.
10 ¹⁾	2309806			8 ¹⁾	2309811
15 ¹⁾	2309807	0.5" ¹⁾	2309809	10 ¹⁾	2309812
20 ¹⁾	2309808	0.75" ¹⁾	2309810	15 ¹⁾	2309813
25	2304024	1.0"	2304030	25	2309734
40	2304025	1.5"	2304031		
50	2304026	2.0"	2304032	40	2309735
65	2304027	2.5"	2304033	50	2309736
80	2304028	3.0"	2304034	65	2309737
100	2304029	4.0"	2304035	80	2309738
125	2301815			100	2301819
150	2301816	6.0"	2301818	125	2301820

¹⁾ DN 10-20/OD-Tube 0.5"-0.75"/ISO 8-15 aseptic executions as standard P³-diaphragm / O-Ring



SVP SELECT HYGIENIC RIGHT ANGLE VALVE
 SVP SELECT HYGIENIC DOUBLE RIGHT ANGLE VALVE
 SVP SELECT HYGIENIC CROSS VALVE



Hyg. Right Angle Valve with O-Ring (EPDM)
Select S 370 E pneumatic air to open-spring to close

METRIC	ID-NO.	OD-TUBE	ID-NO.	ISO	ID-NO.
10 ¹⁾	2323314			8 ¹⁾	2323333
15 ¹⁾	2323313	0.5" ¹⁾	2323315	10 ¹⁾	2323334
20 ¹⁾	2323297	0.75" ¹⁾	2323316	15 ¹⁾	2323335
25	2132036	1.0"	2132043	25	2309747
40	2132037	1.5"	2132044		
50	2132038	2.0"	2131746	40	2309748
65	2132040	2.5"	2132046	50	2309749
80	2132041	3.0"	2131747	65	2309750
100	2132042	4.0"	2132045	80	2309751
125	2014775			100	2128969
150	2301290	6.0"	2300740	125	2301695



Hyg. Double Right Angle Valve with O-Ring (EPDM)
Select S 371 E pneumatic air to open-spring to close

METRIC	ID-NO.	OD-TUBE	ID-NO.	ISO	ID-NO.
10 ¹⁾	2323400			8 ¹⁾	2306906
15 ¹⁾	2323401	0.5" ¹⁾	2323403	10 ¹⁾	2306907
20 ¹⁾	2323402	0.75" ¹⁾	2323404	15 ¹⁾	2306908
25	2304036	1.0"	2303199	25	2309760
40	2304037	1.5"	2303200		
50	2304038	2.0"	2303201	40	2308746
65	2304039	2.5"	2303202	50	2309762
80	2304040	3.0"	2303203	65	2309763
100	2304041	4.0"	2303204	80	2309764
125	2301809			100	2301813
150	2301810	6.0"	2301812	125	2301814



Hyg. Cross Valve with O-Ring (EPDM)
Select S 372 E pneumatic air to open-spring to close

METRIC	ID-NO.	OD-TUBE	ID-NO.	ISO	ID-NO.
10 ¹⁾	2306880			8 ¹⁾	2306909
15 ¹⁾	2323405	0.5" ¹⁾	2306883	10 ¹⁾	2306913
20 ¹⁾	2323406	0.75" ¹⁾	2323407	15 ¹⁾	2306914
25	2304042	1.0"	2303211	25	2309773
40	2304043	1.5"	2303212		
50	2304044	2.0"	2303213	40	2309774
65	2304045	2.5"	2303214	50	2309775
80	2304046	3.0"	2303215	65	2309776
100	2304047	4.0"	2303216	80	2309780
125	2301821			100	2301825
150	2301822	6.0"	2301824	125	2301826

Prices for working mode air to close-spring to open as well as air to open-air to close comply with the s of working mode air to open-spring to close. ID-No. on request.
¹⁾ DN 10-20/OD-Tube 0.5"-0.75"/ISO 8-15 aseptic executions as standard P³-diaphragm / O-Ring

SVP SELECT HYGIENIC SAMPLING VALVE

SVP SELECT HYGIENIC STRAIGHT-WAY VALVE

1.1



Hyg. Sampling Valve with O-Ring (EPDM)
Select S 273 E manual

METRIC	ID-NO.	OD-TUBE	ID-NO.	ISO	ID-NO.
25 / 25	2310810	1.0" / 1.0"	2310821	25 / 25	2310832
25 / 40	2310811	1.0" / 1.5"	2310822	25 / 40	2310833
25 / 50	2310812	1.0" / 2.0"	2310823	25 / 50	2310834
40 / 40	2310813	1.5" / 1.5"	2310824		
40 / 50	2310814	1.5" / 2.0"	2310825		
40 / 65	2310815	1.5" / 2.5"	2310826		
50 / 50	2310816	2.0" / 2.0"	2310827	40 / 40	2310835
50 / 65	2310817	2.0" / 2.5"	2310828	40 / 50	2310836
50 / 80	2310818	2.0" / 3.0"	2310829	40 / 65	2310837
65 / 65	2310819	2.5" / 2.5"	2310830	50 / 50	2310838
65 / 80	2310820	2.5" / 3.0"	2310831	50 / 65	2310839



Hyg. Straight-Way Valve with O-Ring (EPDM)
Select S 274 E manual

METRIC	ID-NO.	OD-TUBE	ID-NO.	ISO	ID-NO.
25 / 25	2310840	1.0" / 1.0"	2310851	25 / 25	2310862
25 / 40	2310841	1.0" / 1.5"	2310852	25 / 40	2310863
25 / 50	2310842	1.0" / 2.0"	2310853	25 / 50	2310864
40 / 40	2310843	1.5" / 1.5"	2310854		
40 / 50	2310844	1.5" / 2.0"	2310855		
40 / 65	2310845	1.5" / 2.5"	2310856		
50 / 50	2310846	2.0" / 2.0"	2310857	40 / 40	2310865
50 / 65	2310847	2.0" / 2.5"	2310858	40 / 50	2310866
50 / 80	2310848	2.0" / 3.0"	2310859	40 / 65	2310867
65 / 65	2310849	2.5" / 2.5"	2310860	50 / 50	2310868
65 / 80	2310850	2.5" / 3.0"	2310861	50 / 65	2310869



SVP SELECT HYGIENIC SAMPLING VALVE

SVP SELECT HYGIENIC STRAIGHT-WAY VALVE



Hyg. Sampling Valve with O-Ring (EPDM)
Select S 373 E pneumatic air to open-spring to close

METRIC	ID-NO.	OD-TUBE	ID-NO.	ISO	ID-NO.
25 / 25	2310870	1.0" / 1.0"	2310880	25 / 25	2310892
25 / 40	2310871	1.0" / 1.5"	2310881	25 / 40	2310893
25 / 50	2310872	1.0" / 2.0"	2310882	25 / 50	2310894
40 / 40	2913557	1.5" / 1.5"	2310883		
40 / 50	2310873	1.5" / 2.0"	2310884		
40 / 65	2310874	1.5" / 2.5"	2310885		
50 / 50	2310875	2.0" / 2.0"	2310886	40 / 40	2310895
50 / 65	2310876	2.0" / 2.5"	2310887	40 / 50	2310896
50 / 80	2310877	2.0" / 3.0"	2310888	40 / 65	2310897
65 / 65	2310878	2.5" / 2.5"	2310889	50 / 50	2310898
65 / 80	2310879	2.5" / 3.0"	2310891	50 / 65	2310899



Hyg. Straight-Way Valve with O-Ring (EPDM)
Select S 374 E pneumatic air to open-spring to close

METRIC	ID-NO.	OD-TUBE	ID-NO.	ISO	ID-NO.
25 / 25	2310245	1.0" / 1.0"	2310907	25 / 25	2310917
25 / 40	2310900	1.0" / 1.5"	2310908	25 / 40	2310918
25 / 50	2310901	1.0" / 2.0"	2310909	25 / 50	2310919
40 / 40	2913554	1.5" / 1.5"	2310910		
40 / 50	2310902	1.5" / 2.0"	2310911		
40 / 65	2310903	1.5" / 2.5"	2310912		
50 / 50	2913553	2.0" / 2.0"	2310809	40 / 40	2310920
50 / 65	2310904	2.0" / 2.5"	2310913	40 / 50	2310921
50 / 80	2310905	2.0" / 3.0"	2310914	40 / 65	2310922
65 / 65	2310235	2.5" / 2.5"	2310915	50 / 50	2310923
65 / 80	2310906	2.5" / 3.0"	2310916	50 / 65	2310924

Prices for working mode air to close-spring to open as well as air to open-air to close comply with the s of working mode air to open-spring to close. ID-No. on request.

SVP SELECT HYGIENIC ANGULAR SEAT VALVE

SVP SELECT HYGIENIC BOTTOM SEAT VALVE

1.1



Hyg. Angular Seat Valve with O-Ring (EPDM)
Select S 280 E manual

METRIC	ID-NO.	OD-TUBE	ID-NO.	ISO	ID-NO.
10 ¹⁾	2310174			8 ¹⁾	2310254
15 ¹⁾	2323408	0.5" ¹⁾	2310252	10 ¹⁾	2310255
20 ¹⁾	2310251	0.75" ¹⁾	2323409	15 ¹⁾	2310256
25	2304178	1.0"	2304184	25	2310323
40	2304179	1.5"	2304185		
50	2304180	2.0"	2304186	40	2310324
65	2304181	2.5"	2304187	50	2310325
80	2304182	3.0"	2304188	65	2310326
100	2304183	4.0"	2304189	80	2310327
125	2301827			100	2301831
150	2301828	6.0"	2301830	125	2301832



Hyg. Bottom Seat Valve with O-Ring (EPDM) / 30° Outlet
Select S 286 E manual

METRIC	ID-NO.	OD-TUBE	ID-NO.	ISO	ID-NO.
10 ¹⁾	2310262			8 ¹⁾	2310266
15 ¹⁾	2323410	0.5" ¹⁾	2310264	10 ¹⁾	2310267
20 ¹⁾	2323411	0.75" ¹⁾	2310265	15 ¹⁾	2310268
25	2304190	1.0"	2304196	25	2310334
40	2304191	1.5"	2304197		
50	2304192	2.0"	2304198	40	2310335
65	2304193	2.5"	2304199	50	2310336
80	2304194	3.0"	2304200	65	2310337
100	2304195	4.0"	2304201	80	2310338
125	2301839			100	2129065
150	2301840	6.0"	2301842	125	2301843



Hyg. Bottom Seat Valve with O-Ring (EPDM) / 30° Outlet
Select S 288 E Bevelled wheel drive

METRIC	ID-NO.	OD-TUBE	ID-NO.	ISO	ID-NO.
10 ¹⁾	2310274			8 ¹⁾	2310279
15 ¹⁾	2310275	0.5" ¹⁾	2310277	10 ¹⁾	2310280
20 ¹⁾	2310276	0.75" ¹⁾	2310278	15 ¹⁾	2310281
25	2304202	1.0"	2304208	25	2310351
40	2304203	1.5"	2304209		
50	2304204	2.0"	2304210	40	2310352
65	2304205	2.5"	2304211	50	2310353
80	2304206	3.0"	2304212	65	2310354
100	2304207	4.0"	2304213	80	2310355

¹⁾ DN 10-20/OD-Tube 0.5"-0.75"/ISO 8-15 aseptic executions as standard P³-diaphragm / O-Ring



SVP SELECT HYGIENIC ANGULAR SEAT VALVE

SVP SELECT HYGIENIC BOTTOM SEAT VALVE



Hyg. Angular Seat Valve with O-Ring (EPDM)
Select S 380 E pneumatic air to open-spring to close

METRIC	ID-NO.	OD-TUBE	ID-NO.	ISO	ID-NO.
10 ¹⁾	2323412			8 ¹⁾	2323416
15 ¹⁾	2306886	0.5" ¹⁾	2323414	10 ¹⁾	2323900
20 ¹⁾	2323413	0.75" ¹⁾	2323415	15 ¹⁾	2323901
25	2304214	1.0"	2343494	25	2310295
40	2304215	1.5"	2343495		
50	2304216	2.0"	2343496	40	2310296
65	2304217	2.5"	2343497	50	2310297
80	2304218	3.0"	2343498	65	2310298
100	2304219	4.0"	2343499	80	2310299
125	2301833			100	2129025
150	2301834	6.0"	2301836	125	2301838



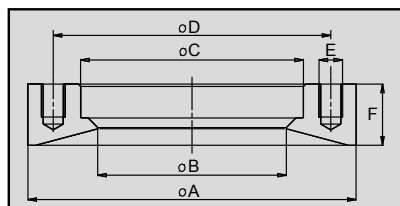
Hyg. Bottom Seat Valve with O-Ring (EPDM) / 30° Outlet
Select S 386 E pneumatic air to open-spring to close

METRIC	ID-NO.	OD-TUBE	ID-NO.	ISO	ID-NO.
10 ¹⁾	2323326			8 ¹⁾	2323337
15 ¹⁾	2323325	0.5" ¹⁾	2323327	10 ¹⁾	2323338
20 ¹⁾	2323300	0.75" ¹⁾	2323328	15 ¹⁾	2323339
25	2304220	1.0"	2303241	25	2309588
40	2304221	1.5"	2303242		
50	2304222	2.0"	2303243	40	2310308
65	2304223	2.5"	2303244	50	2310309
80	2304224	3.0"	2303245	65	2913501
100	2304225	4.0"	2303246	80	2310310
125	2301844			100	2129043
150	2131164	6.0"	2301846	125	2301847

Prices for working mode air to close-spring to open as well as air to open-air to close comply with the s of working mode air to open-spring to close. ID-No. on request.

¹⁾ DN 10-20/OD-Tube 0.5"-0.75"/ISO 8-15 aseptic executions as standard P²-diaphragm / O-Ring

Please order separately:
Weld-In Flange for Bottom Seat Valves



N.b.: Weld-In Flange Z 2000/Select B complies with valve range SVP Model 2000, but is not compatible to the valve range SVP Model 1990!

Z 2000/Select B 1.4404 (AISI 316L) APZ 3.1

SIZES	ØA	ØB	ØC	ØD	E	F	ID-NO.
DN 10/ISO 8	88	38	50.25	70	4 x M8	17	2130026
DN 15/0.5"/ISO 10	88	38	50.25	70	4 x M8	17	2130026
DN 20/0.75"/ISO 15	88	38	50.25	70	4 x M8	17	2130026
DN 25/1.0"/ISO 25	129.5	66.1	79.75	105	4 x M10	26	2123264
DN 40/1.5"	129.5	66.1	79.75	105	4 x M10	26	2123264
DN 50/2.0"/ISO40	139.5	80.1	94.75	118	4 x M10	26	2123266
DN 65/2.5"/ISO 50	169.5	98.1	114.75	143	4 x M12	30	2123268
DN 80/3.0"/ISO 65	179.5	114.5	129.80	156	4 x M12	35	2123270
DN 100/4.0"/ISO 80	209.5	140.5	159.80	185	4 x M12	37	2123297
DN 125/ISO 100	308	188	229.50	255	4 x M16	50	2301848
DN 150/6.0"/ISO 125	348	231	269.50	295	4 x M16	50	2131159

SVP SELECT HYGIENIC CHANGE OVER VALVE

SINGLE-PIECE HOUSING

1.1



Hyg. Change Over Valve with O-Ring (EPDM)
Select S 290 E manual

METRIC	ID-NO.	OD-TUBE	ID-NO.	ISO	ID-NO.
10 ¹⁾	2310227			8 ¹⁾	2310647
15 ¹⁾	2323902	0.5" ¹⁾	2323903	10 ¹⁾	2310648
20 ¹⁾	2310229	0.75" ¹⁾	2310646	15 ¹⁾	2310649
25	2304346	1.0"	2304352	25	2310628
40	2304347	1.5"	2304353		
50	2304348	2.0"	2304354	40	2310629
65	2304349	2.5"	2304355	50	2310630
80	2304350	3.0"	2304356	65	2310631
100	2304351	4.0"	2304357	80	2310632



Hyg. Change Over Valve with O-Ring (EPDM)
Select S 292 E manual

METRIC	ID-NO.	OD-TUBE	ID-NO.	ISO	ID-NO.
10 ¹⁾	2310654			8 ¹⁾	2310659
15 ¹⁾	2310655	0.5" ¹⁾	2310657	10 ¹⁾	2310660
20 ¹⁾	2310656	0.75" ¹⁾	2310658	15 ¹⁾	2310661
25	2304358	1.0"	2304364	25	2310641
40	2304359	1.5"	2304365		
50	2304360	2.0"	2304366	40	2310642
65	2304361	2.5"	2304367	50	2310643
80	2304362	3.0"	2304368	65	2310644
100	2304363	4.0"	2304369	80	2310645

¹⁾ DN 10-20/OD-Tube 0.5"-0.75"/ISO 8-15 aseptic executions as standard P³-diaphragm / O-Ring



SVP SELECT HYGIENIC CHANGE OVER VALVE SINGLE-PIECE HOUSING



Hyg. Change Over Valve with O-Ring (EPDM)
Select S 390 E pneumatic air to open-spring to close

METRIC	ID-NO.	OD-TUBE	ID-NO.	ISO	ID-NO.
10 ¹⁾	2323343			8 ¹⁾	2323346
15 ¹⁾	2323341	0.5" ¹⁾	2323344	10 ¹⁾	2323347
20 ¹⁾	2323303	0.75" ¹⁾	2323345	15 ¹⁾	2323348
25	2304370	1.0"	2303253	25	2310674
40	2304371	1.5"	2303254		
50	2304372	2.0"	2303255	40	2307856
65	2304373	2.5"	2303256	50	2310675
80	2304374	3.0"	2303257	65	2310676
100	2304375	4.0"	2303258	80	2310677



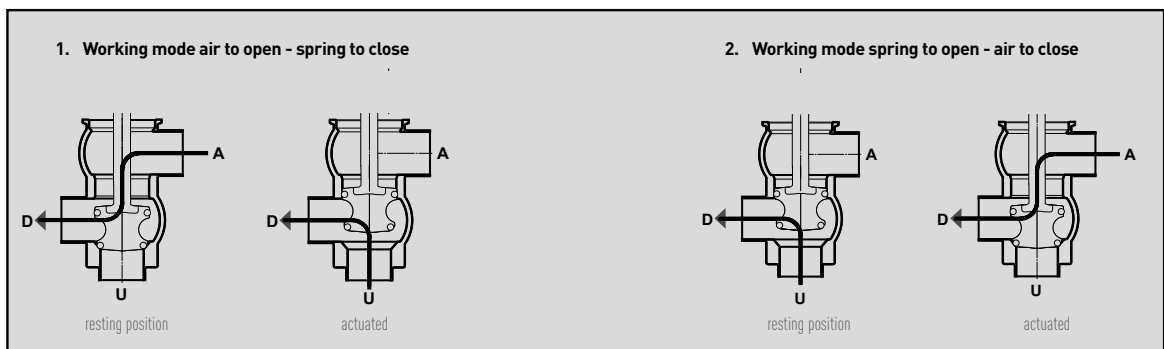
Hyg. Change Over Valve with O-Ring (EPDM)
Select S 392 E pneumatic air to open-spring to close

METRIC	ID-NO.	OD-TUBE	ID-NO.	ISO	ID-NO.
10 ¹⁾	2306898			8 ¹⁾	2306924
15 ¹⁾	2306899	0.5" ¹⁾	2323904	10 ¹⁾	2306925
20 ¹⁾	2306900	0.75" ¹⁾	2306902	15 ¹⁾	2306926
25	2304376	1.0"	2303277	25	2310686
40	2304377	1.5"	2303278		
50	2304378	2.0"	2303279	40	2310687
65	2304379	2.5"	2303280	50	2310688
80	2304380	3.0"	2303281	65	2310689
100	2304381	4.0"	2303282	80	2310690

Prices for working mode air to close-spring to open as well as air to open-air to close comply with the Prices of working mode air to open-spring to close. ID-No. on request.

¹⁾ DN 10-20/OD-Tube 0.5"-0.75"/ISO 8-15 aseptic executions as standard P³-diaphragm / O-Ring

Flow Directions Change Over Valve, Single-Piece Housing



SVP SELECT HYGIENIC CHANGE OVER VALVE SPLIT HOUSING

1.1



Hyg. Change Over Valve with O-Ring (EPDM)
Select S 290 E 2G ¹⁾ manual

METRIC	ID-NO.	OD-TUBE	ID-NO.	ISO	ID-NO.
25	2311324	1.0"	2311330	25	2311336
40	2311325	1.5"	2311331		
50	2311326	2.0"	2311332	40	2311337
65	2311327	2.5"	2311333	50	2311338
80	2311328	3.0"	2311334	65	2311339
100	2311329	4.0"	2311335	80	2311340
125	2301854			100	2301858
150	2301855	6.0"	2301857	125	2301859



Hyg. Change Over Valve with O-Ring (EPDM)
Select S 390 E 2G ²⁾ pneumatic air to open-spring to close

METRIC	ID-NO.	OD-TUBE	ID-NO.	ISO	ID-NO.
25	2309739	1.0"	2309740	25	2311341
40	2306321	1.5"	2306322		
50	2306323	2.0"	2344022	40	2311342
65	2306324	2.5"	2344024	50	2311343
80	2306325	3.0"	2344449	65	2311344
100	2306326	4.0"	2344467	80	2311345
125	2301849			100	2301852
150	2301850	6.0"	2300741	125	2301853

Prices for working mode air to close-spring to open (exempted DN100/4"/ISO 80) as well as air to open-air to close comply with the Prices of working mode air to open-spring to close. ID-No. on request.

¹⁾ Sizes DN 125-150 / OD 6.0" / ISO 100-125 equates to Select 294 E.

²⁾ Sizes DN 125-150 / OD 6.0" / ISO 100-125 equates to Select 394 E.



SÜDMO

HYGIENIC SVP SELECT LONG STROKE VALVES WITH PROFILE SEAL / O-RING

CONTENTS

1.2.2 GENERAL INFORMATION AND TECHNICAL SPECIFICATION

1.2.4 DIMENSIONS AND TECHNICAL DRAWINGS

1.2.8 ID NUMBERS

SÜDMO SVP SELECT HYGIENIC LONG STROKE VALVES

VALVE TECHNOLOGY FOR HIGHLY VISCOUS AND PARTIALLY SOLID MEDIA

Due to many years of experience in design and construction of valves for the food and beverages as well as the pharmaceuticals, chemicals and cosmetics industries, we have managed to develop the Long Stroke Valve range SVP Select. Especially developed for highly viscous or solid matter containing liquids, of course the Long Stroke Valves also meet all hygienic requirements.

Manufactured from a solid bloc, Südmö valves continue to be characterized by perfect surfaces, long service life and resistance against aggressive media. Südmö only offers the Long Stroke Valve series with the o-ring sealing on the valve disc. A specially designed reversible actuator together with the corresponding valve insert enables the long stroke without

having to change the housing. Easy handling and maintenance is also a main emphasis of the range. Spare parts are reduced to a minimum and seal exchanges are fast and easily to maintain.



SÜDMO SVP SELECT

HYGIENIC LONG STROKE VALVES

TECHNICAL SPECIFICATION			
Materials	Product wetted parts	1.4404 (AISI 316 L)	
	Optional	1.4435 (AISI 316 L)	Other materials on request
	Parts not product wetted	1.4301 (AISI 304), 1.4307 (AISI 304 L)	
Sealing Elements	Sealing materials (FDA)	EPDM	Other sealing materials on request
Temperatures	Continuous operating temperature	EPDM 130°C/266°F *	
	Sterilization temperature	EPDM 150°C/302°F * (ca. 20 min.)	
Pressures	Operating pressure	Standard 6 bar (87 psi)	Higher pressures on request
	Control pressure	Min. 6 bar (87 psi) - max. 8 bar (116 psi)	
Surfaces	Product wetted surfaces	Ra ≤ 0,8 µm	
	Surfaces not product wetted	Bright-turned, Ra 1,6 µm	
	Optional	Surfaces product wetted e-polished, higher quality surfaces on request	
Connections	Standard	Welding ends for pipes acc. to DIN 11850 series 2 (DIN 11866 series A) and OD-tube (ASTM A270, DIN 11866 series C, ASME BPE-2009)	
	Optional	Other tube diameters on request	

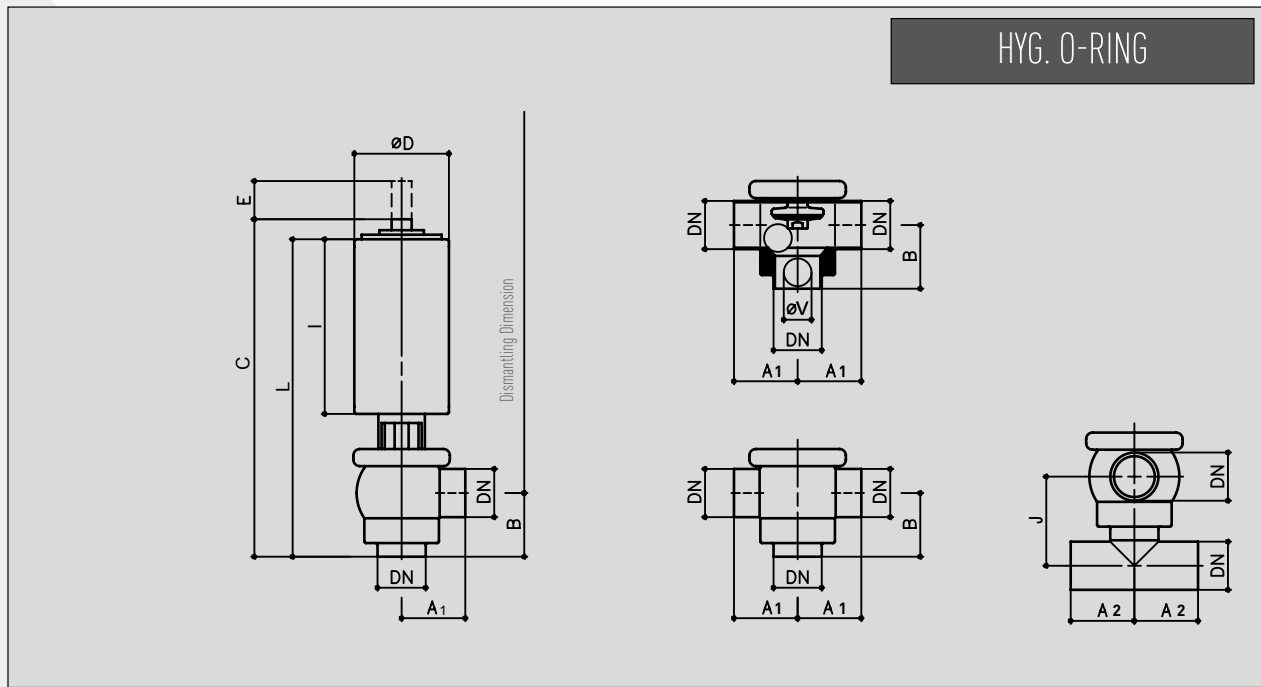
* Depending on operating parameters

HYG. LONG STROKE RIGHT ANGLE VALVE SVP SELECT

HYG. LONG STROKE DOUBLE RIGHT ANGLE VALVE SVP SELECT

HYG. LONG STROKE CROSS VALVE SVP SELECT

1.2



Right Angle Valve

Double Right Angle Valve

Cross Valve

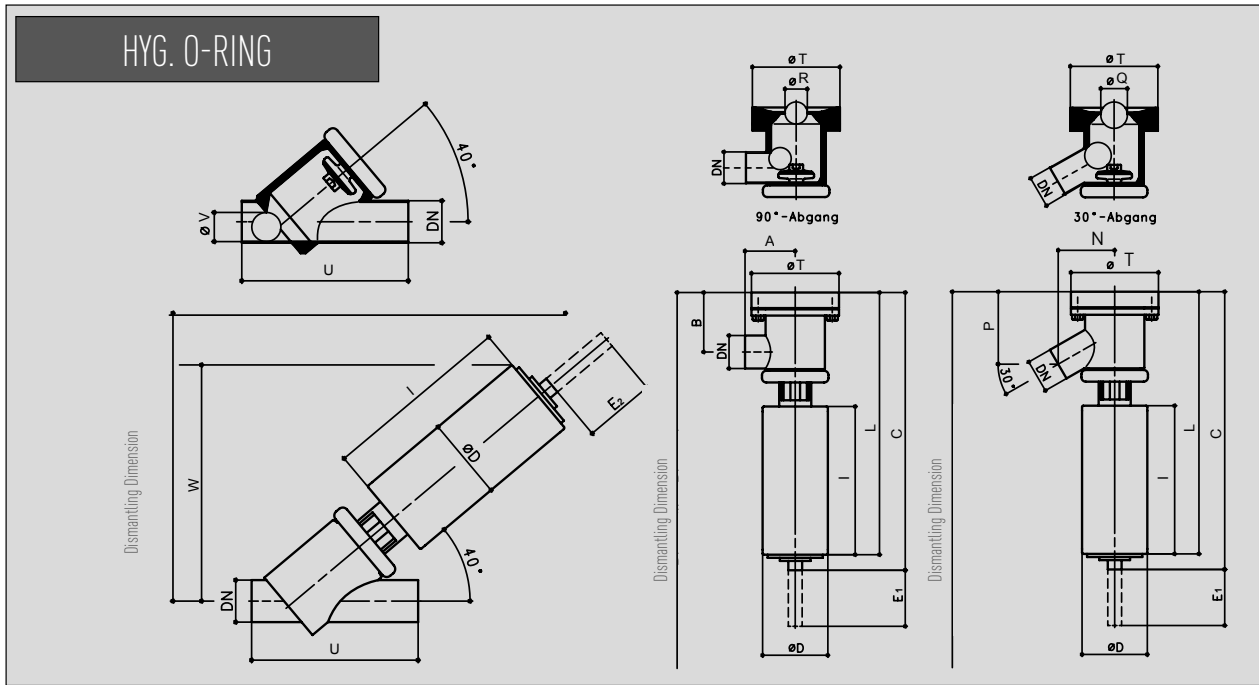
pneumatic	Select S 370 E LS	Select S 371 E LS	Select S 372 E LS
-----------	-------------------	-------------------	-------------------

METRIC		A1	A2	B	C	ØD	E	F	I	J	L	ØV	kg
DN	Tube												
40	Ø41 x 1.5	80	58	60	376	104	31	400	192	82.5	338	22	7.4
50	Ø53 x 1.5	100	78	70	381	104	42	410	192	99.5	354	31	8.3
65	Ø70 x 2.0	100	100	80	546	154	53	580	304	119.5	484	45	20.5
80	Ø85 x 2.0	120	125	90	552	154	65	590	304	137	502	59	21.7
100	Ø104 x 2.0	150	150	100	615	204	80	660	339	157.5	615	75	25.6

OD-TUBE		A1	A2	B	C	ØD	E	F	I	J	L	ØV	kg
DN	Tube												
1.5"	Ø38.10 x 1.65	80	58	55	376	104	24	400	192	75.6	331	17	7.4
2.0"	Ø50.80 x 1.65	100	70	65	382	104	35	410	192	93.4	348	26	8.3
2.5"	Ø63.50 x 1.65	100	78	70	542	154	44	575	304	104.8	471	39	20.5
3.0"	Ø76.20 x 1.65	120	84	80	546	154	57	585	304	122.6	488	51	21.7
4.0"	Ø101.60 x 2.11	150	102	90	607	204	77	660	339	146.3	545	72.5	25.6



HYG. LONG STROKE ANGULAR SEAT VALVE SVP SELECT
 HYG. LONG STROKE BOTTOM SEAT VALVE SVP SELECT



Angular Seat Valve

Bottom Seat Valve 90°

Bottom Seat Valve 30°

pneumatic	Select S 380 E LS	Select S 385 E LS	Select S 386 E LS
-----------	-------------------	-------------------	-------------------

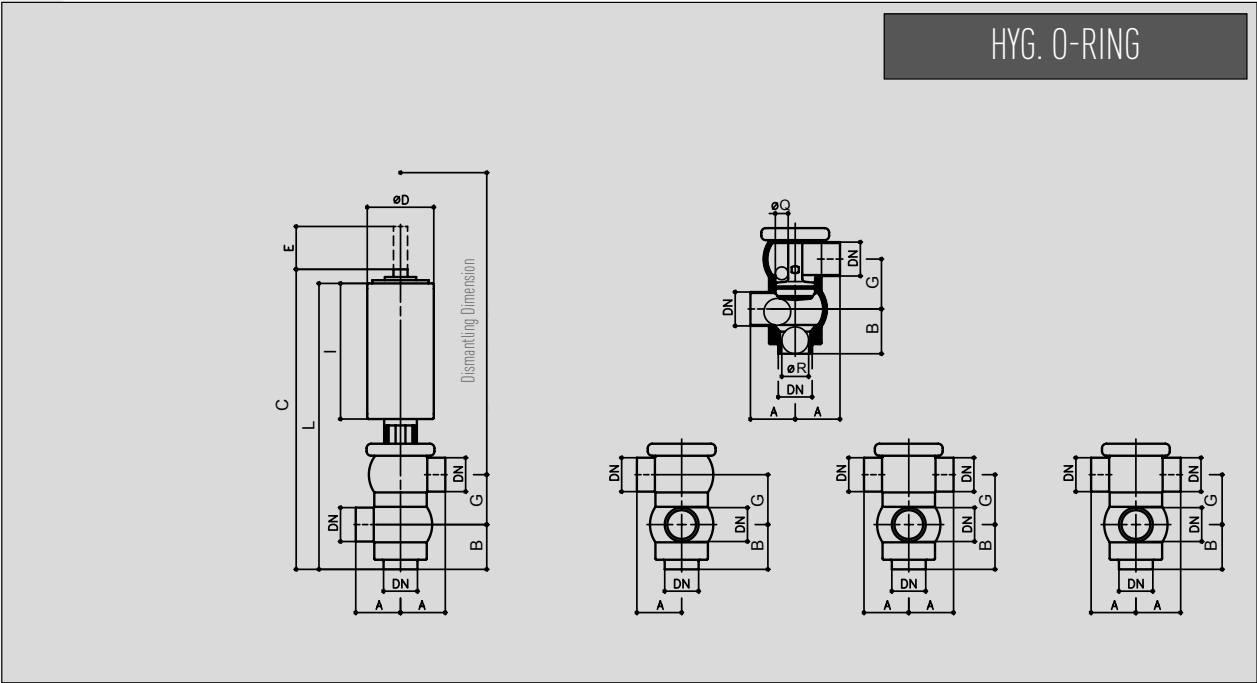
METRIC		A	B	C	ØD	E1	E2	F	I	L	N	P	ØQ	ØR	ØT	U	ØV	W	X	kg	
DN	Tube																				
25	Ø29 x 1.5	70	79	398	104	64	62	510	212	371	70	94	23	16	129.5	160	19.9	269	427	10.8	
40	Ø41 x 1.5	70	90	451	104	78.5	78.5	590	238	414	80	111	30	23	129.5	185	27.5	295	494	10.8	
50	Ø53 x 1.5	80	95	450	104	90	90	600	238	425	90	116	42	33	139.5	210	36.9	301	498	11.9	
65	Ø70 x 2.0	90	112	626	154	115	115	800	364	576	100	132	61	49	169.5	250	49.1	416	672	27.0	
80	Ø85 x 2.0	100	132.9	629	154	140	140	830	364	604	110	152.8	73	61	179.5	300	60.5	431	678	28.6	
100	Ø104 x 2.0	120	161	703	204	175	175	940	400	678	140	188	95	80	209.5	330	75	494	751	35.9	

OD-TUBE		A	B	C	ØD	E1	E2	F	I	L	N	P	ØQ	ØR	ØT	U	ØV	W	X	kg	
DN	Tube																				
1.0"	Ø25.40 x 1.65	70	81	398	104	64	64	510	212	371	70	97	20	13	129.5	160	15.3	273	427	10.8	
1.5"	Ø38.10 x 1.65	70	92	451	104	78.5	78.5	590	238	414	80	113	27	20.5	129.5	185	25.5	297	494	10.8	
2.0"	Ø50.80 x 1.65	80	97	450	104	90	90	600	238	425	90	118	39.5	31	139.5	210	35.1	302	498	11.9	
2.5"	Ø63.50 x 1.65	90	115	626	154	115	115	800	364	576	100	135	56	43.5	169.5	250	44.4	419	672	27.0	
3.0"	Ø76.20 x 1.65	100	137	629	154	140	140	830	364	604	110	157.5	65	53	179.5	300	54.3	435	678	28.6	
4.0"	Ø101.60 x 2.11	120	162	703	204	175	175	940	400	678	140	189.5	92	77.5	209.5	330	71.3	495	751	35.9	

HYG. LONG STROKE CHANGE OVER VALVE SVP SELECT

1.2

HYG. O-RING



Change Over Valve 3 x welding ports

USV 4 x Schw. COV 4 x w. ports

USV 4 x Schw. COV 4 x w. ports

USV 5 x Schw. COV 5 x w. ports

pneumatic	Select S 390 E LS	Select S 391 E LS	Select S 392 E LS	Select S 393 E LS
-----------	-------------------	-------------------	-------------------	-------------------

METRIC		A	B	C	ØD	E	F	G	I	L	ØQ	ØR	kg
DN	Tube												
25	Ø29 x 1.5	80	60	470	104	31	475	54	212	412	13	25	8.8
40	Ø41 x 1.5	80	60	470	104	43	485	66	212	424	13	35	8.7
50	Ø53 x 1.5	100	70	490	104	51	510	78	212	452	20	42	10.1
65	Ø70 x 2.0	100	80	625	154	68	650	94	304	578	27	60	22.5
80	Ø85 x 2.0	120	90	649	154	77	675	109	304	611	32.5	71	24.5
100	Ø104 x 2.0	150	100	729	204	94	765	128	339	684	41.5	90	29.9

OD-TUBE		A	B	C	ØD	E	F	G	I	L	ØQ	ØR	kg
DN	Tube												
1.0"	Ø25.40 x 1.65	80	50	455	104	24	465	50.1	212	390	13	19	8.8
1.5"	Ø38.10 x 1.65	80	55	468	104	35	485	62.8	212	414	13	31	8.7
2.0"	Ø50.80 x 1.65	100	65	443	104	89	510	75.5	212	443	20	39	10.1
2.5"	Ø63.50 x 1.65	100	70	616	154	58	645	88.2	304	559	27	53	22.5
3.0"	Ø76.20 x 1.65	120	80	636	154	68	665	100.8	304	589	32.5	62	24.5
4.0"	Ø101.60 x 2.11	150	90	718	204	91	765	125.4	339	670	41.5	87	29.9



HYG. LONG STROKE RIGHT ANGLE VALVE SVP SELECT
 HYG. LONG STROKE DOUBLE RIGHT ANGLE VALVE SVP SELECT
 HYG. LONG STROKE CROSS VALVE SVP SELECT

Long Stroke Right Angle Valve with O-Ring (EPDM)
Select S 370 E LS pneumatic air to open-spring to close



METRIC	ID-NO.	OD-TUBE	ID-NO.
40	2344256	1.5"	2344217
50	2344257	2.0"	2344218
65	2344258	2.5"	2344219
80	2344259	3.0"	2344078
100	2344260	4.0"	2344080

Long Stroke Double Right Angle Valve with O-Ring (EPDM)
Select S 371 E LS pneumatic air to open-spring to close



METRIC	ID-NO.	OD-TUBE	ID-NO.
40	2344263	1.5"	2344227
50	2344264	2.0"	2344228
65	2344266	2.5"	2344229
80	2344267	3.0"	2344230
100	2344268	4.0"	2344081

Long Stroke Cross Valve with O-Ring (EPDM)
Select S 372 E LS pneumatic air to open-spring to close



METRIC	ID-NO.	OD-TUBE	ID-NO.
40	2344357	1.5"	2344363
50	2344358	2.0"	2344364
65	2344359	2.5"	2344365
80	2344360	3.0"	2344366
100	2344361	4.0"	2344367

Prices for working mode air to close-spring to open as well as air to open-air to close comply with the Prices of working mode air to open-spring to close. ID-No. on request.



HYG. LONG STROKE ANGULAR SEAT VALVE SVP SELECT
 HYG. LONG STROKE BOTTOM SEAT VALVE SVP SELECT



Long Stroke Angular Seat Valve with O-Ring (EPDM)
Select S 380 E LS pneumatic air to open-spring to close

METRIC	ID-NO.	OD-TUBE	ID-NO.
25	2344282	1.0"	2344242
40	2344283	1.5"	2344243
50	2344284	2.0"	2344244
65	2344285	2.5"	2344245
80	2344286	3.0"	2344246
100	2344287	4.0"	2344247

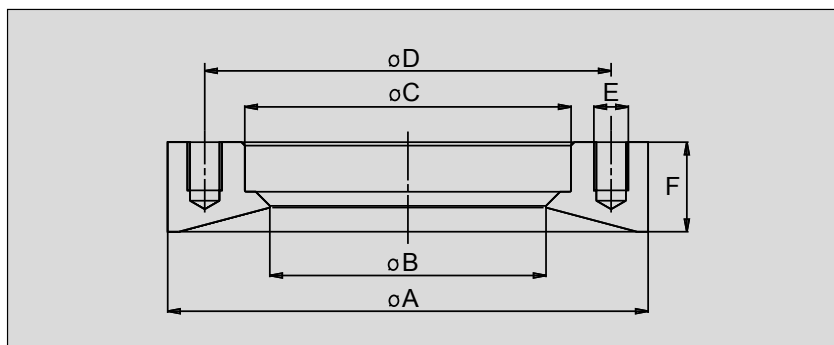


Long Stroke Bottom Seat Valve with O-Ring (EPDM) / 30° Outlet
Select S 386 E LS pneumatic air to open-spring to close

METRIC	ID-NO.	OD-TUBE	ID-NO.
25	2344269	1.0"	2344231
40	2344270	1.5"	2344232
50	2344271	2.0"	2344233
65	2344272	2.5"	2344234
80	2344273	3.0"	2344235
100	2344274	4.0"	2344154

Prices for working mode air to close-spring to open as well as air to open-air to close comply with the Prices of working mode air to open-spring to close. ID-No. on request.

Please order separately:
 Weld-In Flange for Bottom Seat Valves
Z 2000/Select B 1.4404 (AISI 316L) APZ 3.1



N.b.: Weld-In Flange Z 2000/Select B complies with valve range SVP Model 2000, but is not compatible to the valve range SVP Model 1990!

SIZES	øA	øB	øC	øD	E	F	ID-NO.
DN 25/1.0"/ISO 25	129.5	66.1	79.75	105	4 x M10	26	2123264
DN 40/1.5"	129.5	66.1	79.75	105	4 x M10	26	2123264
DN 50/2.0"/ISO 40	139.5	80.1	94.75	118	4 x M10	26	2123266
DN 65/2.5"/ISO 50	169.5	98.1	114.75	143	4 x M12	30	2123268
DN 80/3.0"/ISO 65	179.5	114.5	129.80	156	4 x M12	35	2123270
DN 100/4.0"/ISO 80	209.5	140.5	159.80	185	6 x M12	37	2123297

HYG. LONG STROKE CHANGE OVER VALVE SVP SELECT

1.2

Long Stroke Change Over Valve with O-Ring (EPDM)
Select S 390 E LS pneumatic air to open-spring to close



METRIC	ID-NO.	OD-TUBE	ID-NO.
25	2344288	1.0"	2344248
40	2344289	1.5"	2344249
50	2344290	2.0"	2309243
65	2344291	2.5"	2344251
80	2344293	3.0"	2344079
100	2344294	4.0"	2344253

Long Stroke Change Over Valve with O-Ring (EPDM)
Select S 392 E LS pneumatic air to open-spring to close

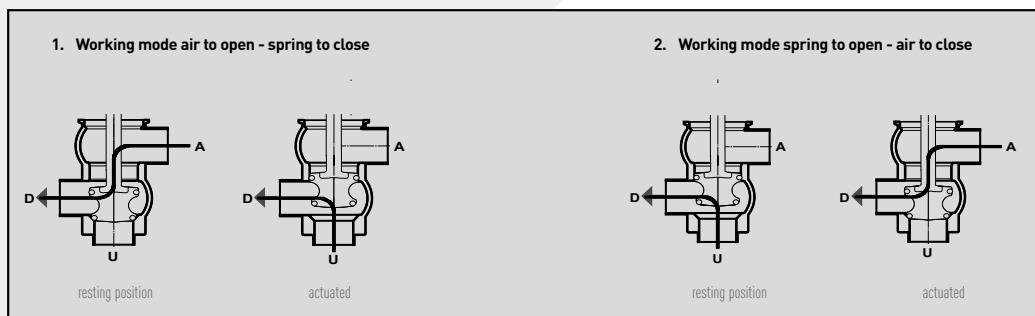


METRIC	ID-NO.	OD-TUBE	ID-NO.
25	2344340	1.0"	2344350
40	2344341	1.5"	2344351
50	2344342	2.0"	2344352
65	2344343	2.5"	2344353
80	2344344	3.0"	2344354
100	2344345	4.0"	2344355

ID-Numbers of valves S 391 E LS and S 393 E LS on request.

Prices for working mode air to close-spring to open as well as air to open-air to close comply with the Prices of working mode air to open-spring to close. ID-No. on request.

Flow Directions Change Over Valve, Single-Piece Housing



SÜDMO

ASEPTIC SVP SELECT SINGLE SEAT VALVES WITH P³ DIAPHRAGM / O-RING

CONTENTS

- 1.3.2 GENERAL INFORMATION AND TECHNICAL SPECIFICATION
- 1.3.4 DIMENSIONS AND TECHNICAL DRAWINGS
- 1.3.10 ID NUMBERS

SÜDMO SVP SELECT

ASEPTIC SINGLE SEAT VALVES WITH P³ DIAPHRAGM / O-RING

SVP SELECT

ASEPTIC SINGLE SEAT VALVES WITH P³ DIAPHRAGM / O-RING

SVP Select Valves are ideal for the use in aseptic applications within the dairy and pharmaceutical industry.

Easy and fast maintenance, excellent cleanability as well as a sump and dome free design are standard elements of this valve series. All aseptic SVP Select Valves are equipped with the P³ diaphragm for a hermetic separation of product side and atmosphere.

P³ stands for performance power three and was designed in a diaphragm geometry for sealing the spindle area. This revolutionary seal option is resistant to high pressure, high temperature and a wide range of media, and has a long service life when subjected to frequent switching operations.

Benefits:

- High dynamic pressure stability
- High process safety due to the aseptic barrier
- Good CV-value



SÜDMO SVP SELECT

ASEPTIC SINGLE SEAT VALVES WITH P³ DIAPHRAGM / O-RING

TECHNICAL SPECIFICATION	
Materials	Product wetted parts 1.4404 (AISI 316 L)
	Optional 1.4435 (AISI 316 L) Other materials on request
	Parts not product wetted 1.4301 (AISI 304), 1.4307 (AISI 304 L)
Sealing Elements	Sealing materials (FDA) EPDM Other sealing materials on request
	Diaphragm (FDA) P ³
Temperatures	Continuous operating temperature EPDM 130°C/266°F, P ³ 150°C/302°F *
	Sterilization temperature EPDM 150°C/302°F, P ³ 150°C/302°F * (approx. 20 min.)
Pressures	Operating pressure 10 bar (145 psi) with sizes DN 10-20, OD-Tube 0.5"/0.75", ISO 08-15 6 bar (87 psi) with sizes DN 25-100, OD-Tube 1"-4", ISO 25-80 Higher pressures on request
	Control pressure Min. 5 bar (72.5 psi) - max. 8 bar (116 psi) with DN 10-20, OD-Tube 0.5"/0.75", ISO 08/15 Min. 6 bar (87 psi) - max. 8 bar (116 psi) with DN 25-100, OD-Tube 1"-4", ISO 25-80
	Optional Booster: in case of insufficient control air pressure
Surfaces	Product wetted surfaces Ra ≤ 0,8 µm
	Surfaces not product wetted Bright-turned, Ra 1,6 µm
	Optional Product wetted surfaces e-polished, higher quality surfaces on request
Connections	Standard Welding ends for pipes acc. to DIN 11850 series 2 (DIN 11866 series A), OD-tube (ASTM A270, DIN 11866 series C, ASME BPE-2009) and DIN EN ISO 1127 (DIN 11866 Series B)
	Optional DIN EN ISO 1127 and all common tube connections

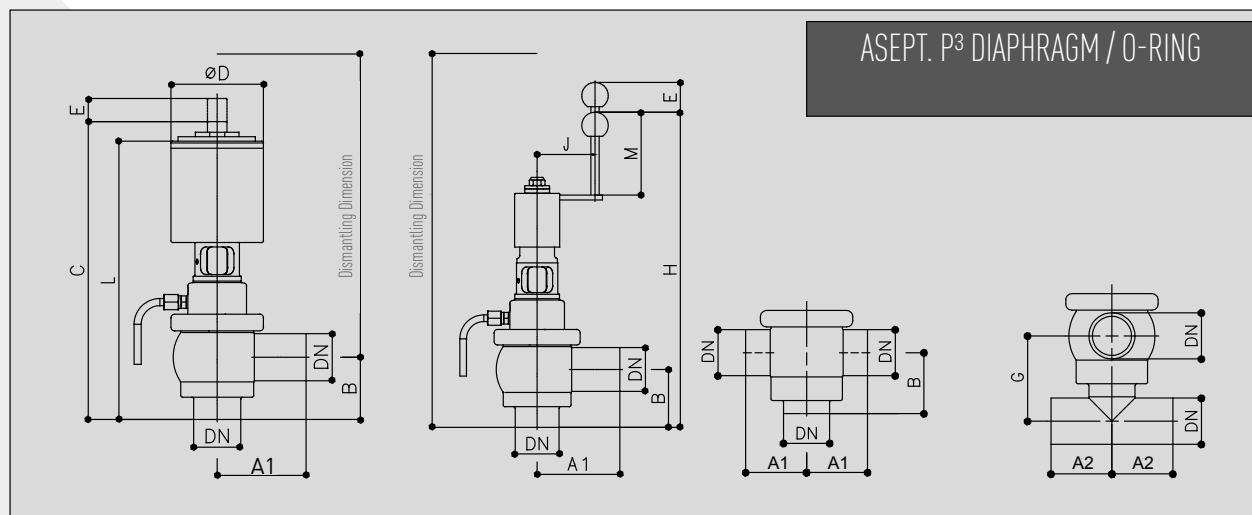
* Depending on operating parameters

SVP SELECT ASEPTIC RIGHT ANGLE VALVE

SVP SELECT ASEPTIC DOUBLE RIGHT ANGLE VALVE

SVP SELECT ASEPTIC CROSS VALVE

1.3



Right Angle Valve

Double Right Angle Valve

Cross Valve

manual	Select A 270 D-E	Select A 271 D-E	Select A 272 D-E
pneumatic	Select A 370 D-E	Select A 371 D-E	Select A 372 D-E

METRIC		A1	A2	B	C	ØD	E	F	G	H	J	K	L	M	kg
DN 10	Tube Ø13 x 1.5	45	35	45	203	64.5	6	203.5	52.5	195.5	39	202.5	182.5	20	2.1
15	Ø19 x 1.5	45	35	45	203	64.5	6	203.5	55.5	195.5	39	202.5	182.5	20	2.1
20	Ø23 x 1.5	45	40	45	203	64.5	6	203.5	57.5	195.5	39	202.5	182.5	20	2.1
25	Ø29 x 1.5	80	48	60	327	104	12	330	75.5	369	70	425	301	100	6.1
40	Ø41 x 1.5	80	58	60	331	104	12	345	82.5	372	70	445	305	100	6.1
50	Ø53 x 1.5	100	78	70	343	104	16	365	99.5	385	70	470	321	100	7.2
65	Ø70 x 2.0	100	100	80	409	129	22	435	119.5	431	100	545	375	100	10.8
80	Ø85 x 2.0	120	125	90	499	154	24	535	137	461	100	580	470	100	15.2
100 ²⁾	Ø104 x 2.0	150	150	100	590	154	31	550	157.5	479	100	640	489	100	18.1

OD-TUBE		A1	A2	B	C	ØD	E	F	G	H	J	K	L	M	kg
DN 0.5"	Tube Ø12.70 x 1.65	45	45	45	203	64.5	6	203.5	52.3	195.5	39	202.5	182.5	20	2.1
0.75"	Ø19.05 x 1.65	45	48	45	203	64.5	6	203.5	55.5	195.5	39	202.5	182.5	20	2.1
1.0"	Ø25.40 x 1.65	80	52	50	313	104	12	325	63.7	365	70	400	287	100	6.1
1.5"	Ø38.10 x 1.65	80	58	55	324	104	12	340	75.6	372	70	435	298	100	6.1
2.0"	Ø50.80 x 1.65	100	70	65	337	104	16	360	93.4	385	70	460	315	100	7.2
2.5"	Ø63.50 x 1.65	100	78	70	396	129	22	430	104.8	427	100	525	370	100	10.8
3.0"	Ø76.20 x 1.65	120	84	80	484	154	24	530	122.6	455	100	560	455	100	15.2
4.0" ²⁾	Ø101.60 x 2.11	150	102	90	574	154	28	545	146.3	416	100	640	423	100	18.1

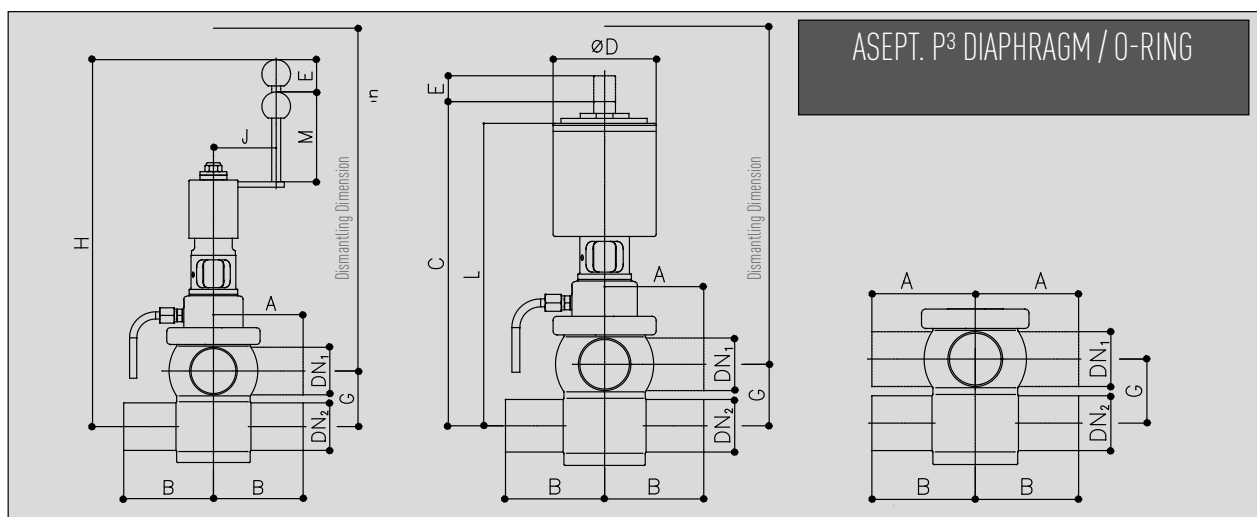
ISO		A1	A2	B	C	ØD	E	F	G	H	J	K	L	M	kg
DN 8	Tube Ø13.5 x 1.6	45	32	45	203	64.5	6	203.5	52.5	195.5	39	202.5	182.5	20	
10	Ø17.2 x 1.6	45	34	45	203	64.5	6	203.5	55.5	195.5	39	202.5	182.5	20	
15	Ø21.3 x 1.6	45	36	45	203	64.5	6	203.5	57.5	195.5	39	202.5	182.5	20	
25	Ø33.7 x 2.0	80	58	60	327	104	12	330	75.5	369	70	425	301	100	
40	Ø48.3 x 2.0	100	63	70	343	104	16	365	99.5	385	70	470	321	100	
50	Ø60.3 x 2.0	100	88	80	409	129	22	535	119.5	431	100	545	370	100	
65	Ø76.1 x 2.0	120	108	90	499	154	24	535	137	461	100	580	470	100	
80 ²⁾	Ø88.9 x 2.3	150	128	100	590	154	31	550	157.5	479	100	640	489	100	

²⁾ Pneumatic valves spring to open-air to close (6 bar control pressure) standard with booster size II (dismantling dimensions already considered)



SVP SELECT ASEPTIC SAMPLING VALVE

SVP SELECT ASEPTIC STRAIGHT-WAY VALVE



Sampling Valve
3 x welding ends

Straight Way Valve
4 x welding ends

manual	Select A 273 D-E	Select A 274 D-E
pneumatic	Select A 373 D-E	Select A 374 D-E

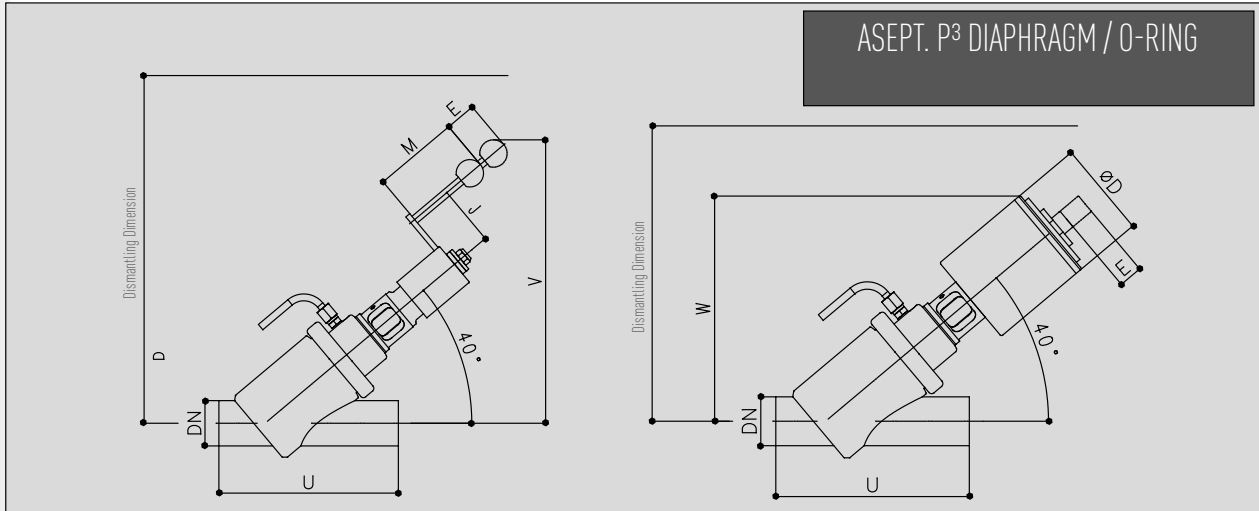
METRIC			A	B	C	ØD	E	F	G	H	J	K	L	M	kg
DN	Tube DN ₁	Tube DN ₂													
25 / 25	Ø29 x 1.5	Ø29 x 1.5	80	80	309	104	12	340	41	348	70	380	280	100	
25 / 40	Ø29 x 1.5	Ø41 x 1.5	80	80	262	104	12	340	48	355	70	380	287	100	
25 / 50	Ø29 x 1.5	Ø53 x 1.5	80	100	322	104	12	340	54	361	70	380	293	100	
40 / 40	Ø41 x 1.5	Ø41 x 1.5	80	80	319	104	12	350	50	362	70	390	295	100	
40 / 50	Ø41 x 1.5	Ø53 x 1.5	80	100	325	104	12	350	56	368	70	390	301	100	
40 / 65	Ø41 x 1.5	Ø70 x 2.0	80	100	333	104	12	350	64	376	70	390	309	100	
50 / 50	Ø53 x 1.5	Ø53 x 1.5	100	100	335	104	16	365	62	377	70	390	313	100	
50 / 65	Ø53 x 1.5	Ø70 x 2.0	100	100	343	104	16	365	70	385	70	390	321	100	
50 / 80	Ø53 x 1.5	Ø85 x 2.0	100	120	351	104	16	365	78	393	70	390	329	100	
65 / 65	Ø70 x 2.0	Ø70 x 2.0	100	100	463	129	22	515	80	426	100	470	460	100	
65 / 80	Ø70 x 2.0	Ø85 x 2.0	100	120	471	129	22	515	88	434	100	470	468	100	

OD-TUBE			A	B	C	ØD	E	F	G	H	J	K	L	M	kg
DN	Tube DN ₁	Tube DN ₂													
1.0" / 1.0"	Ø25.40 x 1.65	Ø25.40 x 1.65	80	80	301	104	13	335	35	340	70	375	272	100	
1.0" / 1.5"	Ø25.40 x 1.65	Ø38.10 x 1.65	80	80	307	104	13	335	42	346	70	375	278	100	
1.0" / 2.0"	Ø25.40 x 1.65	Ø50.80 x 1.65	80	100	312	104	13	335	48	351	70	375	283	100	
1.5" / 1.5"	Ø38.10 x 1.65	Ø38.10 x 1.65	80	80	313	104	10	345	43	356	70	385	289	100	
1.5" / 2.0"	Ø38.10 x 1.65	Ø50.80 x 1.65	80	100	319	104	10	345	50	362	70	385	295	100	
1.5" / 2.5"	Ø38.10 x 1.65	Ø63.50 x 1.65	80	100	323	104	10	345	56	366	70	385	299	100	
2.0" / 2.0"	Ø50.80 x 1.65	Ø50.80 x 1.65	100	100	328	104	14	360	60	370	70	385	306	100	
2.0" / 2.5"	Ø50.80 x 1.65	Ø63.50 x 1.65	100	100	333	104	14	360	67	375	70	385	311	100	
2.0" / 3.0"	Ø50.80 x 1.65	Ø76.20 x 1.65	100	120	339	104	14	360	73	381	70	385	317	100	
2.5" / 2.5"	Ø63.50 x 1.65	Ø63.50 x 1.65	100	100	459	129	18	510	73	422	100	465	456	100	
2.5" / 3.0"	Ø63.50 x 1.65	Ø76.20 x 1.65	100	120	466	129	18	510	80	429	100	465	463	100	

ISO			A	B	C	ØD	E	F	G	H	J	K	L	M	kg
DN	Tube DN ₁	Tube DN ₂													
25 / 25	Ø33.7 x 2.0	Ø33.7 x 2.0	80	80	309	104	12	340	41	348	70	380	280	100	
25 / 40	Ø33.7 x 2.0	Ø48.3 x 2.0	80	100	318	104	12	340	48	357	70	380	289	100	
25 / 50	Ø33.7 x 2.0	Ø60.3 x 2.0	80	100	324	104	12	340	54	363	70	380	295	100	
40 / 40	Ø48.3 x 2.0	Ø48.3 x 2.0	100	100	329	104	16	365	60	371	70	390	308	100	
40 / 50	Ø48.3 x 2.0	Ø60.3 x 2.0	100	100	335	104	16	365	65	377	70	390	313	100	
40 / 65	Ø48.3 x 2.0	Ø76.1 x 2.0	100	120	351	104	16	365	73	393	70	390	329	100	
50 / 50	Ø60.3 x 2.0	Ø60.3 x 2.0	100	100	453	129	22	515	76	415	100	470	449	100	
50 / 65	Ø60.3 x 2.0	Ø76.1 x 2.0	100	120	464	129	22	515	84	423	100	470	457	100	
50 / 80	Ø60.3 x 2.0	Ø88.9 x 2.3	100	150	470	129	22	515	90	429	100	470	465	100	

SVP SELECT ASEPTIC ANGULAR SEAT VALVE

1.3



Angular Seat Valve

manual	Select A 280 D-E
pneumatic	Select A 380 D-E

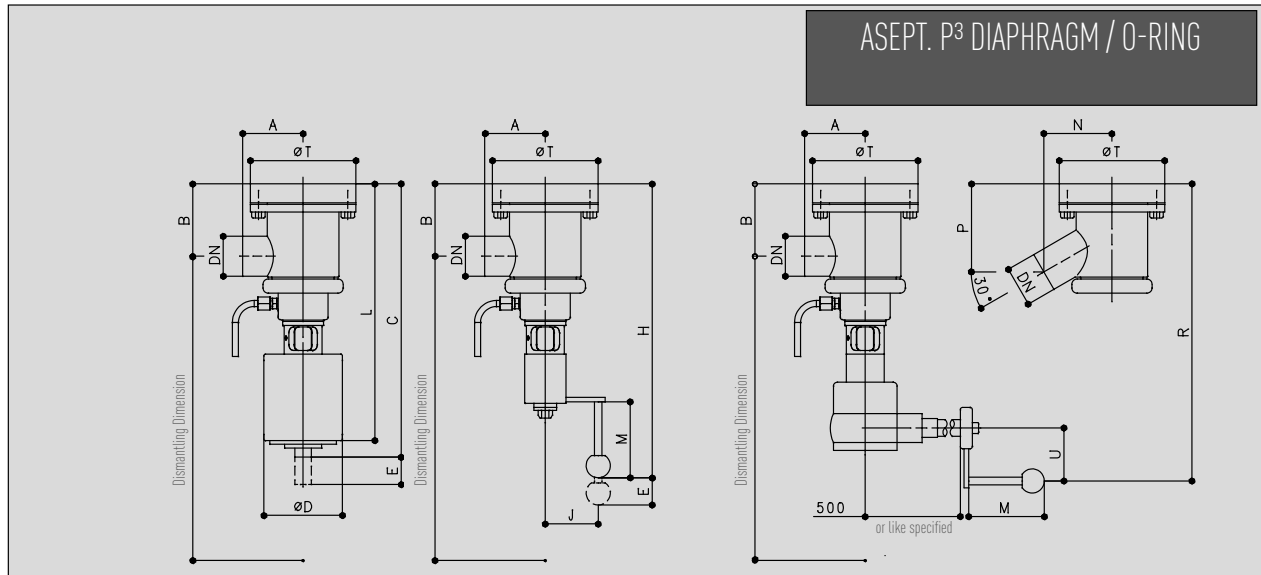
METRIC											
DN	Tube	ØD	E	J	M	U	V	W	X	Y	kg
10	Ø13 x 1.5	64.5	7	39	20	145	140	135	175	180	
15	Ø19 x 1.5	64.5	7	39	20	145	140	135	175	180	
20	Ø23 x 1.5	64.5	7	39	20	145	140	135	175	180	
25	Ø29 x 1.5	104	12	70	100	160	317	239	289	364	
40	Ø41 x 1.5	104	12	70	100	185	322	246	304	379	
50	Ø53 x 1.5	104	16	70	100	210	327	251	319	394	
65	Ø70 x 2.0	129	22	100	100	250	398	306	379	464	
80	Ø85 x 2.0	154	24	100	100	300	416	373	457	497	
100 ²⁾	Ø104 x 2.0	154	31	100	100	330	433	394	501	541	

OD-TUBE											
DN	Tube	ØD	E	J	M	U	V	W	X	Y	kg
0.5"	Ø12.70 x 1.65	64.5	7	39	20	145	140	135	175	180	
0.75"	Ø19.05 x 1.65	64.5	7	39	20	145	140	135	175	180	
1.0"	Ø25.40 x 1.65	104	12	70	100	160	317	235	285	364	
1.5"	Ø38.10 x 1.65	104	12	70	100	185	322	243	301	379	
2.0"	Ø50.80 x 1.65	104	16	70	100	210	327	248	317	394	
2.5"	Ø63.50 x 1.65	129	22	100	100	250	398	300	373	464	
3.0"	Ø76.20 x 1.65	154	24	100	100	300	416	365	451	497	
4.0"	Ø101.60 x 2.11	154	31	100	100	330	433	392	499	541	

ISO											
DN	Tube	ØD	E	J	M	U	V	W	X	Y	kg
8	Ø13.5 x 1.6	64.5	7	39	20	145	140	135	175	180	
10	Ø17.2 x 1.6	64.5	7	39	20	145	140	135	175	180	
15	Ø21.3 x 1.6	64.5	7	39	20	145	140	135	175	180	
25	Ø33.7 x 2.0	104	12	70	100	160	317	239	289	364	
40	Ø48.3 x 2.0	104	16	70	100	210	327	251	319	394	
50	Ø60.3 x 2.0	129	22	100	100	250	398	306	379	464	
65	Ø76.1 x 2.0	154	24	100	100	300	416	373	457	497	
80 ²⁾	Ø88.9 x 2.3	154	31	100	100	330	433	394	501	541	

²⁾ Pneumatic valves spring to open-air to close (6 bar control pressure) standard with booster size II (dismantling dimensions already considered) Klsahfkahfl





Bottom Seat Valve 90°

Bottom Seat Valve 30°

manual	Select A 285 D-E	Select A 286 D-E
pneumatic	Select A 385 D-E	Select A 386 D-E
bevelled wheel drive	Select A 287 D-E	Select A 288 D-E

METRIC		A	B	C	ØD	E	F	H	J	K	L	M	N	P	R	S	ØT	kg
DN	Tube																	
10	Ø13 x 1.5	50	50.5	203.5	64.5	7	273.5	188.5	39	258.5	192.5	20	50	64	231	255	88	3.0
15	Ø19 x 1.5	50	47.5	203.5	64.5	7	273.5	188.5	39	258.5	192.5	20	50	61	231	255	88	3.0
20	Ø23 x 1.5	50	45.5	203.5	64.5	7	273.5	188.5	39	258.5	192.5	20	50	58.5	231	255	88	3.0
25	Ø29 x 1.5	70	79	336	104	12	365	382	70	410	318	100	70	94	382	385	129.5	9.5
40	Ø41 x 1.5	70	90	353	104	12	390	400	70	435	335	100	80	111	400	415	129.5	9.1
50	Ø53 x 1.5	80	96	360	104	16	405	405	70	450	347	100	90	116	411	425	139.5	10.5
65	Ø70 x 2.0	90	113	429	129	22	485	456	100	515	416	100	100	132	436	460	169.5	16.9
80	Ø85 x 2.0	100	133	521	154	24	585	489	100	555	508	100	110	153	519	540	179.5	21.7
100	²⁾ Ø104 x 2.0	120	161	563	154	31	630	531	100	605	550	100	140	188	562	585	209.5	27.9

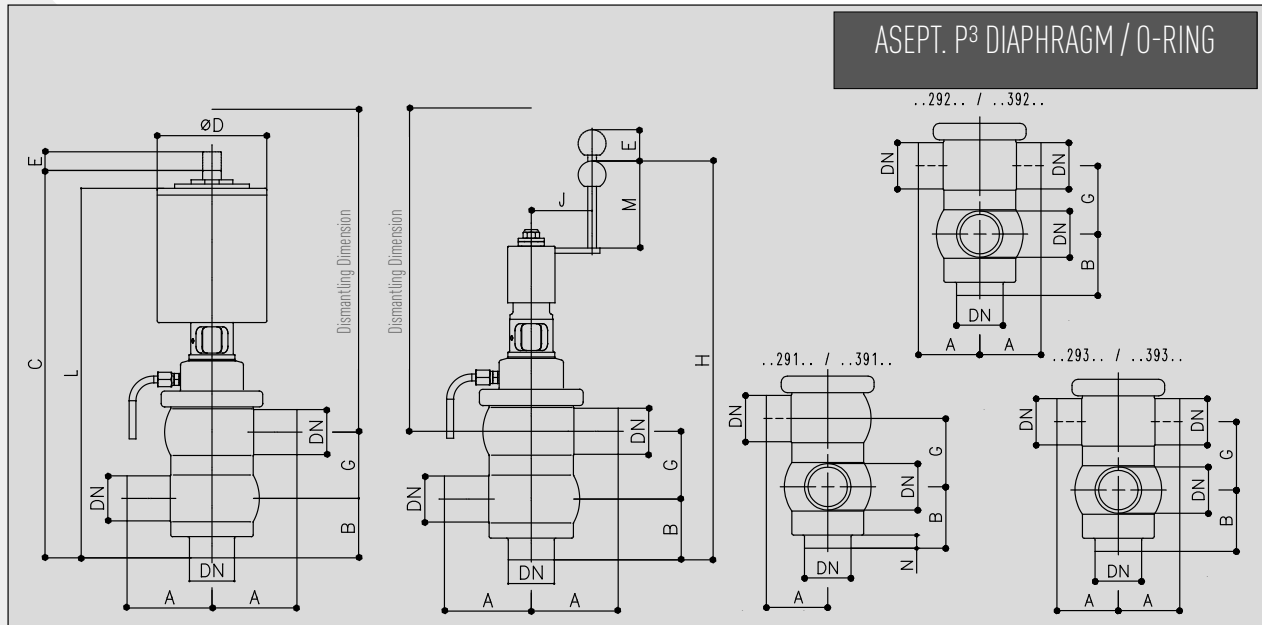
OD-TUBE		A	B	C	ØD	E	F	H	J	K	L	M	N	P	R	S	ØT	kg
DN	Tube																	
0.5"	Ø12.70 x 1.65	45	51	203.5	64.5	7	273.5	188.5	39	258.5	192.5	20	50	64.5	231	255	88	3.0
0.75"	Ø19.05 x 1.65	45	47.5	203.5	64.5	7	273.5	188.5	39	258.5	192.5	20	50	61	231	255	88	3.0
1.0"	Ø25.40 x 1.65	70	81	336	104	12	365	382	70	410	318	100	70	97	382	385	129.5	9.5
1.5"	Ø38.10 x 1.65	70	92	353	104	12	390	400	70	435	335	100	80	112.5	400	415	129.5	9.1
2.0"	Ø50.80 x 1.65	80	97	360	104	16	405	405	70	450	347	100	90	118	411	425	139.5	10.5
2.5"	Ø63.50 x 1.65	90	116	429	129	22	485	456	100	515	416	100	100	135.5	436	460	169.5	16.9
3.0"	Ø76.20 x 1.65	100	137	521	154	24	585	489	100	555	508	100	110	157.5	519	540	179.5	21.7
4.0"	²⁾ Ø101.60 x 2.11	120	163	563	154	31	630	531	100	605	550	100	140	189.5	562	585	209.5	27.9

ISO		A	B	C	ØD	E	F	H	J	K	L	M	N	P	R	S	ØT	kg
DN	Tube																	
8	Ø13.5 x 1.6	50	50.5	203.5	64.5	7	273.5	188.5	39	258.5	192.5	20	50	64	231	255	88	3.0
10	Ø17.2 x 1.6	50	47.5	203.5	64.5	7	273.5	188.5	39	258.5	192.5	20	50	62	231	255	88	3.0
15	Ø21.3 x 1.6	50	45.5	203.5	64.5	7	273.5	188.5	39	258.5	192.5	20	50	59.5	231	255	88	3.0
25	Ø33.7 x 2.0	70	77	336	104	12	365	382	70	410	318	100	70	92.5	382	385	129.5	9.5
40	Ø48.3 x 2.0	80	98.5	360	104	16	405	405	70	450	347	100	90	116	411	425	139.5	10.5
50	Ø60.3 x 2.0	90	117.5	429	129	22	485	456	100	515	416	100	100	132	436	460	169.5	16.9
65	Ø76.1 x 2.0	100	137.5	521	154	24	585	489	100	555	508	100	110	153	519	540	179.5	21.7
80	²⁾ Ø88.9 x 2.3	120	161	563	154	31	630	531	100	605	550	100	140	188	562	585	209.5	27.9

²⁾ Pneumatic valves spring to open-air to close (6 bar control pressure) standard with booster size II (dismantling dimensions already considered)

SVP SELECT ASEPTIC CHANGE OVER VALVE SINGLE-PIECE HOUSING

1.3



Change Over Valve 3 x welding end

COV 4 x we

COV 4 x we

COV 5 x we

manual	Select A 290 D-E	Select A 291 D-E	Select A 292 D-E	Select A 293 D-E
pneumatic	Select A 390 D-E	Select A 391 D-E	Select A 392 D-E	Select A 393 D-E

METRIC		A	B	C	ØD	E	F	G	H	J	K	L	M	N	kg
DN	Tube														
10	Ø13 x 1.5	45	45	243	64.5	10	270	40	235.5	39	283	222.5	20	13	2.3
15	Ø19 x 1.5	45	45	243	64.5	10	270	40	235.5	39	283	222.5	20	13	2.3
20	Ø23 x 1.5	45	45	243	64.5	10	270	40	235.5	39	283	222.5	20	13	2.3
25	Ø29 x 1.5	80	60	375	104	12	375	54	422	70	425	349	100	25.5	7.9
40	Ø41 x 1.5	80	60	385	104	16	400	66	432	70	445	363	100	25.5	8.2
50	Ø53 x 1.5	100	70	456	129	22	425	78	483	70	470	435	100	25.5	12.9
65	Ø70 x 2.0	100	80	562	154	24	515	94	530	100	545	533	100	25.5	18.2
80 ²⁾	Ø85 x 2.0	120	90	593	154	31	615	109	560	100	580	571	100	25.5	21.6

OD-TUBE		A	B	C	ØD	EE	F	G	H	J	K	L	M	N	kg
DN	Tube														
0.5"	Ø12.70 x 1.65	45	45	243	64.5	10	270	40	235.5	39	283	222.5	20	13	2.3
0.75"	Ø19.05 x 1.65	45	45	243	64.5	10	270	40	235.5	39	283	222.5	20	13	2.3
1.0"	Ø25.40 x 1.65	80	50	355	104	12	360	50.1	402	70	400	329	100	25.5	7.9
1.5"	Ø38.10 x 1.65	80	55	375	104	16	385	62.8	422	70	435	353	100	25.5	8.2
2.0"	Ø50.80 x 1.65	100	65	447	129	22	415	75.5	474	70	460	426	100	25.5	12.9
2.5"	Ø63.50 x 1.65	100	70	543	154	24	500	88.2	511	100	525	514	100	25.5	18.2
3.0" ²⁾	Ø76.20 x 1.65	120	80	570	154	31	595	100.8	538	100	560	548	100	25.5	21.6

ISO		A	B	C	ØD	EE	F	G	H	J	K	L	M	N	kg
DN	Tube														
8	Ø13.5 x 1.6	45	45	243	64.5	10	270	40	235.5	39	283	222.5	20	13	
10	Ø17.2 x 1.6	45	45	243	64.5	10	270	40	235.5	39	283	222.5	20	13	
15	Ø21.3 x 1.6	45	45	243	64.5	10	270	40	235.5	39	283	222.5	20	13	
25	Ø33.7 x 2.0	80	60	375	104	12	375	58	422	70	425	349	100	25.5	
40	Ø48.3 x 2.0	100	70	456	129	22	425	78	483	70	470	435	100	25.5	
50	Ø60.3 x 2.0	100	80	562	154	24	515	94	530	100	545	533	100	25.5	
65 ²⁾	Ø76.1 x 2.0	120	90	593	154	31	615	109	560	100	580	571	100	25.5	

²⁾ Pneumatic valves standard with booster size II (dismantling dimensions already considered)



SVP SELECT ASEPTIC RIGHT ANGLE VALVE

SVP SELECT ASEPTIC DOUBLE RIGHT ANGLE VALVE

SVP SELECT ASEPTIC CROSS VALVE



Asept. Right Angle Valve with Diaphragm (P³) and O-Ring (EPDM)
Select A 270 D-E manual

METRIC	ID-NO.	OD-TUBE	ID-NO.	ISO	ID-NO.
10	2323367			8	2309785
15	2309782	0.5"	2323369	10	2309786
20	2323368	0.75"	2309784	15	2309787
25	2304048	1.0"	2304054	25	2309788
40	2304049	1.5"	2304055		
50	2304050	2.0"	2304056	40	2309789
65	2304051	2.5"	2304057	50	2309790
80	2304052	3.0"	2304058	65	2309791
100	2304053	4.0"	2304059	80	2309792



Asept. Double Right Angle Valve with Diaphragm (P³) and O-Ring (EPDM)
Select A 271 D-E manual

METRIC	ID-NO.	OD-TUBE	ID-NO.	ISO	ID-NO.
10	2309793			8	2309798
15	2309794	0.5"	2309796	10	2309799
20	2309795	0.75"	2309797	15	2309800
25	2304060	1.0"	2304066	25	2309801
40	2304061	1.5"	2304067		
50	2304062	2.0"	2304068	40	2309802
65	2304063	2.5"	2304069	50	2309803
80	2304064	3.0"	2304070	65	2309804
100	2304065	4.0"	2304071	80	2309805



Asept. Cross Valve with Diaphragm (P³) and O-Ring (EPDM)
Select A 272 D-E manual

METRIC	ID-NO.	OD-TUBE	ID-NO.	ISO	ID-NO.
10	2309806			8	2309811
15	2309807	0.5"	2309809	10	2309812
20	2309808	0.75"	2309810	15	2309813
25	2304072	1.0"	2304078	25	2309814
40	2304073	1.5"	2304079		
50	2304074	2.0"	2304080	40	2309815
65	2304075	2.5"	2304081	50	2309816
80	2304076	3.0"	2304082	65	2309817
100	2304077	4.0"	2304083	80	2309818



SVP SELECT ASEPTIC RIGHT ANGLE VALVE
SVP SELECT ASEPTIC DOUBLE RIGHT ANGLE VALVE
SVP SELECT ASEPTIC CROSS VALVE



Asept. Right Angle Valve with Diaphragm (P³) and O-Ring (EPDM)
Select A 370 D-E pneumatic air to open-spring to close

METRIC	ID-NO.	OD-TUBE	ID-NO.	ISO	ID-NO.
10	2323314			8	2323333
15	2323313	0.5"	2323315	10	2323334
20	2323297	0.75"	2323316	15	2323335
25	2343620	1.0"	2304121	25	2309828
40	2343621	1.5"	2304122		
50	2343622	2.0"	2303960	40	2309829
65	2343623	2.5"	2304123	50	2309830
80	2343624	3.0"	2303961	65	2309831
100	2343625	4.0"	2304124	80	2309832



Asept. Double Right Angle Valve with Diaphragm (P³) and O-Ring (EPDM)
Select A 371 D-E pneumatic air to open-spring to close

METRIC	ID-NO.	OD-TUBE	ID-NO.	ISO	ID-NO.
10	2323400			8	2306906
15	2323401	0.5"	2323403	10	2306907
20	2323402	0.75"	2323404	15	2306908
25	2304125	1.0"	2304131	25	2309823
40	2304126	1.5"	2304132		
50	2304127	2.0"	2304133	40	2309824
65	2304128	2.5"	2304134	50	2309841
80	2304129	3.0"	2304135	65	2309842
100	2304130	4.0"	2304136	80	2309843



Asept. Cross Valve with Diaphragm (P³) and O-Ring (EPDM)
Select A 372 D-E pneumatic air to open-spring to close

METRIC	ID-NO.	OD-TUBE	ID-NO.	ISO	ID-NO.
10	2306880			8	2306909
15	2323405	0.5"	2306883	10	2306913
20	2323406	0.75"	2323407	15	2306914
25	2304137	1.0"	2304143	25	2309847
40	2304138	1.5"	2304144		
50	2304139	2.0"	2304145	40	2309848
65	2304140	2.5"	2304146	50	2309849
80	2304141	3.0"	2304147	65	2309850
100	2304142	4.0"	2304148	80	2309851

Prices for working mode air to close-spring to open as well as air to open-air to close comply with the Prices of working mode air to open-spring to close. ID-No. on request

SVP SELECT ASEPTIC SAMPLING VALVE

SVP SELECT ASEPTIC STRAIGHT-WAY VALVE

Asept. Sampling Valve with Diaphragm (P³) and O-Ring (EPDM)

Select A 273 D-E manual



METRIC	ID-NO.	OD-TUBE	ID-NO.	ISO	ID-NO.
25 / 25	2310925	1.0" / 1.0"	2310936	25 / 25	2310946
25 / 40	2310926	1.0" / 1.5"	2310937	25 / 40	2310947
25 / 50	2310927	1.0" / 2.0"	2310938	25 / 50	2310948
40 / 40	2310984	1.5" / 1.5"	2310939		
40 / 50	2310928	1.5" / 2.0"	2310940		
40 / 65	2310929	1.5" / 2.5"	2310941		
50 / 50	2310931	2.0" / 2.0"	2310985	40 / 40	2310949
50 / 65	2310932	2.0" / 2.5"	2310942	40 / 50	2310950
50 / 80	2310933	2.0" / 3.0"	2310943	40 / 65	2310951
65 / 65	2310934	2.5" / 2.5"	2310944	50 / 50	2310952
65 / 80	2310935	2.5" / 3.0"	2310945	50 / 65	2310953

Asept. Straight-Way Valve with Diaphragm (P³) and O-Ring (EPDM)

Select A 274 D-E manual



METRIC	ID-NO.	OD-TUBE	ID-NO.	ISO	ID-NO.
25 / 25	2310954	1.0" / 1.0"	2310965	25 / 25	2310976
25 / 40	2310955	1.0" / 1.5"	2310966	25 / 40	2310977
25 / 50	2310956	1.0" / 2.0"	2310967	25 / 50	2310978
40 / 40	2310957	1.5" / 1.5"	2310968		
40 / 50	2310958	1.5" / 2.0"	2310969		
40 / 65	2310959	1.5" / 2.5"	2310970		
50 / 50	2310960	2.0" / 2.0"	2310971	40 / 40	2310979
50 / 65	2310961	2.0" / 2.5"	2310972	40 / 50	2310980
50 / 80	2310962	2.0" / 3.0"	2310973	40 / 65	2310981
65 / 65	2310963	2.5" / 2.5"	2310974	50 / 50	2310982
65 / 80	2310964	2.5" / 3.0"	2310975	50 / 65	2310983



SVP SELECT ASEPTIC SAMPLING VALVE

SVP SELECT ASEPTIC STRAIGHT-WAY VALVE



Asept. Sampling Valve with Diaphragm (P³) and O-Ring (EPDM)
Select A 373 D-E pneumatic air to open-spring to close

METRIC	ID-NO.	OD-TUBE	ID-NO.	ISO	ID-NO.
25 / 25	2310986	1.0" / 1.0"	2310996	25 / 25	2311006
25 / 40	2310987	1.0" / 1.5"	2310997	25 / 40	2311007
25 / 50	2310988	1.0" / 2.0"	2310998	25 / 50	2311008
40 / 40	2912894	1.5" / 1.5"	2310999		
40 / 50	2310989	1.5" / 2.0"	2311000		
40 / 65	2310990	1.5" / 2.5"	2311001		
50 / 50	2310991	2.0" / 2.0"	2309392	40 / 40	2311009
50 / 65	2310992	2.0" / 2.5"	2311002	40 / 50	2311010
50 / 80	2310993	2.0" / 3.0"	2311003	40 / 65	2311011
65 / 65	2310994	2.5" / 2.5"	2311004	50 / 50	2311012
65 / 80	2310995	2.5" / 3.0"	2311005	50 / 65	2311013



Asept. Straight-Way Valve with Diaphragm (P³) and O-Ring (EPDM)
Select A 374 D-E pneumatic air to open-spring to close

METRIC	ID-NO.	OD-TUBE	ID-NO.	ISO	ID-NO.
25 / 25	2345134	1.0" / 1.0"	2311019	25 / 25	2311030
25 / 40	2311014	1.0" / 1.5"	2311020	25 / 40	2311031
25 / 50	2309986	1.0" / 2.0"	2311021	25 / 50	2311032
40 / 40	2912895	1.5" / 1.5"	2311022		
40 / 50	2345133	1.5" / 2.0"	2311023		
40 / 65	2311015	1.5" / 2.5"	2311024		
50 / 50	2912896	2.0" / 2.0"	2311025	40 / 40	2311033
50 / 65	2311016	2.0" / 2.5"	2311026	40 / 50	2311034
50 / 80	2311017	2.0" / 3.0"	2311027	40 / 65	2311035
65 / 65	2309987	2.5" / 2.5"	2311028	50 / 50	2311036
65 / 80	2311018	2.5" / 3.0"	2311029	50 / 65	2311037

Prices for working mode air to close-spring to open as well as air to open-air to close comply with the Prices of working mode air to open-spring to close. ID-No. on request.

SVP SELECT ASEPTIC ANGULAR SEAT VALVE

SVP SELECT ASEPTIC BOTTOM SEAT VALVE



Asept. Angular Seat Valve with Diaphragm (P³) and O-Ring (EPDM)
Select A 280 D-E manual

METRIC	ID-NO.	OD-TUBE	ID-NO.	ISO	ID-NO.
10	2310174			8	2310254
15	2323408	0.5"	2310252	10	2310255
20	2310251	0.75"	2323409	15	2310256
25	2304226	1.0"	2304232	25	2310257
40	2304227	1.5"	2304233		
50	2304228	2.0"	2304234	40	2310258
65	2304229	2.5"	2304235	50	2310259
80	2304230	3.0"	2304236	65	2310260
100	2304231	4.0"	2304237	80	2310261



Asept. Bottom Seat Valve with Diaphragm (P³) and O-Ring (EPDM) / 30° Outlet
Select A 286 D-E manual

METRIC	ID-NO.	OD-TUBE	ID-NO.	ISO	ID-NO.
10	2310262			8	2310266
15	2323410	0.5"	2310264	10	2310267
20	2323411	0.75"	2310265	15	2310268
25	2304238	1.0"	2304244	25	2310269
40	2304239	1.5"	2304245		
50	2304240	2.0"	2304246	40	2310270
65	2304241	2.5"	2304247	50	2310271
80	2304242	3.0"	2304248	65	2310272
100	2304243	4.0"	2304249	80	2310273



Asept. Bottom Seat Valve with Diaphragm (P³) and O-Ring (EPDM) / 30° Outlet
Select A 288 D-E Bevelled wheel drive

METRIC	ID-NO.	OD-TUBE	ID-NO.	ISO	ID-NO.
10	2310274			8	2310279
15	2310275	0.5"	2310277	10	2310280
20	2310276	0.75"	2310278	15	2310281
25	2304250	1.0"	2304256	25	2310282
40	2304251	1.5"	2304257		
50	2304252	2.0"	2304258	40	2310283
65	2304253	2.5"	2304259	50	2310284
80	2304254	3.0"	2304260	65	2310285
100	2304255	4.0"	2304261	80	2310286
125	2309704			100	2309707
150	2309705	6.0"	2309706	125	2309713



SVP SELECT ASEPTIC ANGULAR SEAT VALVE

SVP SELECT ASEPTIC BOTTOM SEAT VALVE



Asept. Angular Seat Valve with Diaphragm (P³) and O-Ring (EPDM)
Select A 380 D-E pneumatic air to open-spring to close

METRIC	ID-NO.	OD-TUBE	ID-NO.	ISO	ID-NO.
10	2323412			8	2323416
15	2306886	0.5"	2323414	10	2323900
20	2323413	0.75"	2323415	15	2323901
25	2304262	1.0"	2304268	25	2310359
40	2304263	1.5"	2304269		
50	2304264	2.0"	2304270	40	2310360
65	2304265	2.5"	2304271	50	2310361
80	2304266	3.0"	2304272	65	2310362
100	2304267	4.0"	2304273	80	2310363

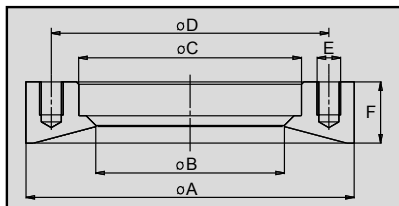


Asept. Bottom Seat Valve with Diaphragm (P³) and O-Ring (EPDM) / 30° Outlet
Select A 386 D-E pneumatic air to open-spring to close

METRIC	ID-NO.	OD-TUBE	ID-NO.	ISO	ID-NO.
10	2323326			8	2323337
15	2323325	0.5"	2323327	10	2323338
20	2323300	0.75"	2323328	15	2323339
25	2304274	1.0"	2304280	25	2310368
40	2304275	1.5"	2304281		
50	2304276	2.0"	2304282	40	2310369
65	2304277	2.5"	2304283	50	2310370
80	2304278	3.0"	2304284	65	2310371
100	2304279	4.0"	2304285	80	2310372

Prices for working mode air to close-spring to open as well as air to open-air to close comply with the Prices of working mode air to open-spring to close. ID-No. on request.

Please order separately:
 Weld-In Flange for Bottom Seat Valves
Z 2000/Select B 1.4404 (AISI 316L) APZ 3.1



N.b.: Weld-In Flange Z 2000/Select B complies with valve range SVP Model 2000, but is not compatible to the valve range SVP Model 1990!

SIZES	ØA	ØB	ØC	ØD	E	F	ID-NO.
DN 10/ISO 8	88	38	50.25	70	4 x M8	17	2130026
DN 15/0.5"/ISO 10	88	38	50.25	70	4 x M8	17	2130026
DN 20/0.75"/ISO 15	88	38	50.25	70	4 x M8	17	2130026
DN 25/1.0"/ISO 25	129.5	66.1	79.75	105	4 x M10	26	2123264
DN 40/1.5"	129.5	66.1	79.75	105	4 x M10	26	2123264
DN 50/2.0"/ISO40	139.5	80.1	94.75	118	4 x M10	26	2123266
DN 65/2.5"/ISO 50	169.5	98.1	114.75	143	4 x M12	30	2123268
DN 80/3.0"/ISO 65	179.5	114.5	129.80	156	4 x M12	35	2123270
DN 100/4.0"/ISO 80	209.5	140.5	159.80	185	4 x M12	37	2123297

SVP SELECT ASEPTIC CHANGE OVER VALVE SINGLE-PIECE HOUSING

1.3

Asept. Change Over Valve with Diaphragm (P³) and O-Ring (EPDM)
Select A 290 D-E manual



METRIC	ID-NO.	OD-TUBE	ID-NO.	ISO	ID-NO.
10	2310227			8	2310647
15	2323902	0.5"	2323903	10	2310648
20	2310229	0.75"	2310646	15	2310649
25	2304382	1.0"	2304388	25	2310650
40	2304383	1.5"	2304389		
50	2304384	2.0"	2304390	40	2310651
65	2304385	2.5"	2304391	50	2310652
80	2304386	3.0"	2304392	65	2310653

Asept. Change Over Valve with Diaphragm (P³) and O-Ring (EPDM)
Select A 292 D-E manual



METRIC	ID-NO.	OD-TUBE	ID-NO.	ISO	ID-NO.
10	2310654			8	2310659
15	2310655	0.5"	2310657	10	2310660
20	2310656	0.75"	2310658	15	2310661
25	2304394	1.0"	2304400	25	2310662
40	2304395	1.5"	2304401		
50	2304396	2.0"	2304402	40	2310663
65	2304397	2.5"	2304403	50	2310664
80	2304398	3.0"	2304404	65	2310665



SVP SELECT ASEPTIC CHANGE OVER VALVE SINGLE-PIECE HOUSING



Asept. Change Over Valve with Diaphragm (P³) and O-Ring (EPDM)
Select A 390 D-E pneumatic air to open-spring to close

METRIC	ID-NO.	OD-TUBE	ID-NO.	ISO	ID-NO.
10	2323343			8	2323346
15	2323341	0.5"	2323344	10	2323347
20	2323303	0.75"	2323345	15	2323348
25	2304406	1.0"	2304412	25	2308991
40	2304407	1.5"	2304413		
50	2304408	2.0"	2304414	40	2308992
65	2304409	2.5"	2304415	50	2310694
80	2304410	3.0"	2304416	65	2310695

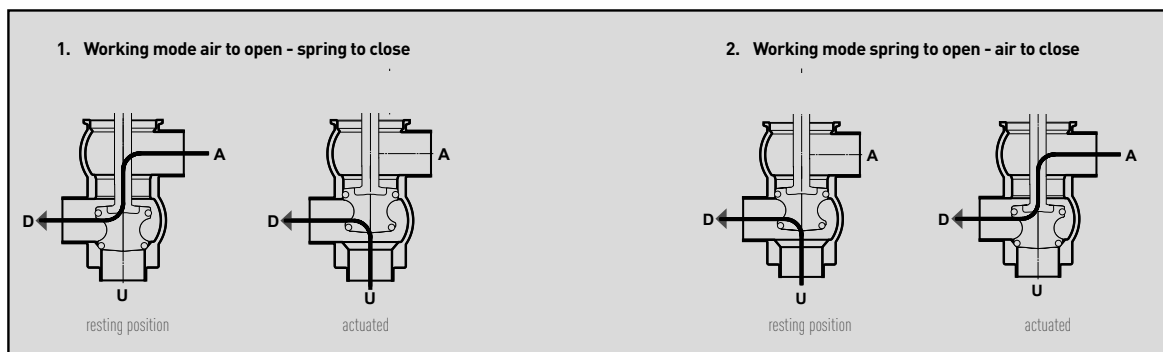


Asept. Change Over Valve with Diaphragm (P³) and O-Ring (EPDM)
Select A 392 D-E pneumatic air to open-spring to close

METRIC	ID-NO.	OD-TUBE	ID-NO.	ISO	ID-NO.
10	2306898			8	2306924
15	2306899	0.5"	2323904	10	2306925
20	2306900	0.75"	2306902	15	2306926
25	2304418	1.0"	2304424	25	2310699
40	2304419	1.5"	2304425		
50	2304420	2.0"	2304426	40	2308993
65	2304421	2.5"	2304427	50	2310700
80	2304422	3.0"	2304428	65	2310701

Prices for working mode air to close-spring to open as well as air to open-air to close comply with the Prices of working mode air to open-spring to close. ID-No. on request.

Flow Directions Change Over Valve, Single-Piece Housing





SÜDMO

ASEPTIC SVP SELECT SINGLE SEAT VALVES WITH P³ DIAPHRAGM / PEEK-RING

CONTENTS

1.4.2 GENERAL INFORMATION AND TECHNICAL SPECIFICATION

1.4.4 DIMENSIONS AND TECHNICAL DRAWINGS

1.4.10 ID NUMBERS

SÜDMO SVP SELECT

ASEPTIC VALVES WITH P³ DIAPHRAGM / PEEK-RING

SVP SELECT ASEPTIC SINGLE SEAT VALVES WITH P³ DIAPHRAGM / PEEK-RING

SVP Select Valves are ideal for the use in aseptic applications within the dairy and pharmaceutical industry. Easy and fast maintenance, excellent cleanability as well as a sump and dome free design are standard elements of this valve series. All aseptic SVP Select Valves are equipped with the P³ diaphragm for a hermetic separation of product side and atmosphere.

P³ stands for performance power three and was designed in a diaphragm geometry for sealing the spindle area. This revolutionary seal option is resistant to high pressure, high temperature and a wide range of media, and has a long service life when subjected to frequent switching operations.

P³ has excellent cleaning properties and outstanding performance even under the most difficult operating conditions, ensuring that the system remains sterile.

Benefits:

- High dynamic pressure stability
- High process safety due to the aseptic barrier
- Good CV-value



SÜDMO SVP SELECT

ASEPTIC VALVES WITH P³ DIAPHRAGM / PEEK-RING

TECHNICAL SPECIFICATION	
Materials	Product wetted parts 1.4404 (AISI 316 L)
	Optional 1.4435 (AISI 316 L) Other materials on request
	Parts not product wetted 1.4301 (AISI 304), 1.4307 (AISI 304 L)
Sealing Elements	Sealing materials (FDA) PEEK Other sealing materials on request
	Diaphragm (FDA) P ³
Temperatures	Continuous operating temperature PEEK 150°C/302°F, P ³ 150°C/302°F *
	Sterilization temperature PEEK 150°C/302°F, P ³ 150°C/302°F * (ca. 20 min.)
Pressures	Operating pressure 6 bar (87 psi) Higher pressures on request
	Control pressure Min. 6 bar (87 psi) - max. 8 bar (116 psi)
	Optional Booster: in case of insufficient control air pressure
Surfaces	Product wetted surfaces Ra ≤ 0,8 µm
	Surfaces not product wetted Bright-turned, Ra 1,6 µm
	Optional Product wetted surfaces e-polished, higher quality surfaces on request
Connections	Standard Welding ends for pipes acc. to DIN 11850 series 2 (DIN 11866 series A), OD-tube (ASTM A270, DIN 11866 series C, ASME BPE-2009) and DIN EN ISO 1127 (DIN 11866 Series B)
	Optional Other tube diameters on request

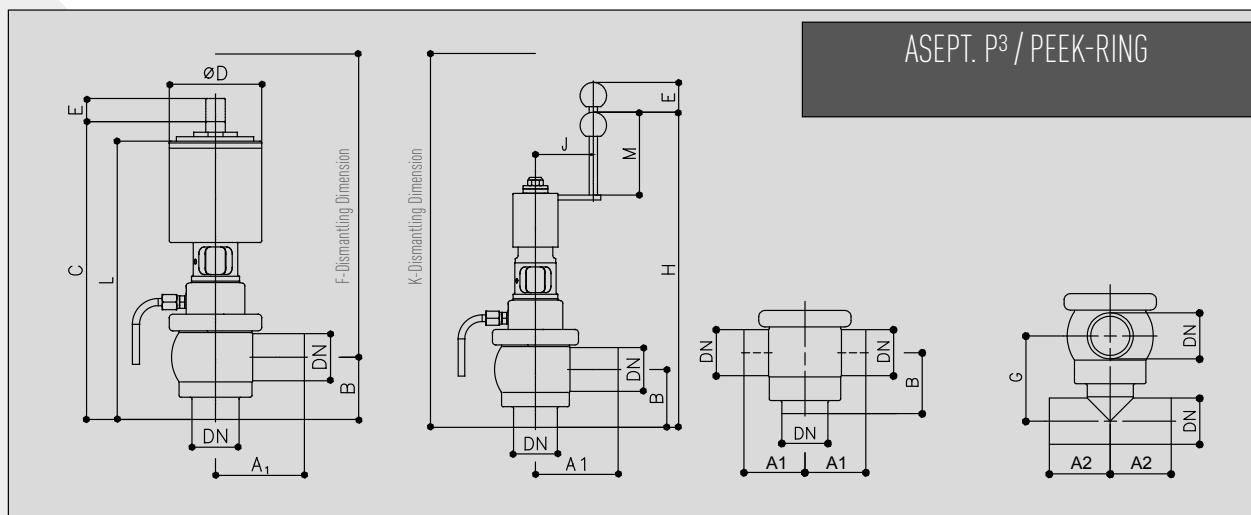
* Depending on operating parameters

SVP SELECT ASEPTIC RIGHT ANGLE VALVE

SVP SELECT ASEPTIC DOUBLE RIGHT ANGLE VALVE

SVP SELECT ASEPTIC CROSS VALVE

1.4



Right Angle Valve

Double Right Angle Valve

Cross Valve

manual	Select A 270 D-PR	Select A 271 D-PR	Select A 272 D-PR
pneumatic	Select A 370 D-PR	Select A 371 D-PR	Select A 372 D-PR

METRIC		A1	A2	B	C	ØD	E	F	G	H	J	K	L	M	kg
DN	Tube														
25	Ø29 x 1.5	80	48	60	327	104	12	330	75.5	369	70	425	301	100	
40	Ø41 x 1.5	80	58	60	331	104	12	345	82.5	372	70	445	305	100	
50	Ø53 x 1.5	100	78	70	343	104	16	365	99.5	385	70	470	321	100	
65	Ø70 x 2.0	100	100	80	458	154	22	484	119.5	431	100	545	437	100	
80	Ø85 x 2.0	120	125	90	499	154	24	535	137	461	100	580	470	100	
100	Ø104 x 2.0	150	150	100	590	204	31	550	157.5	479	100	640	495	100	

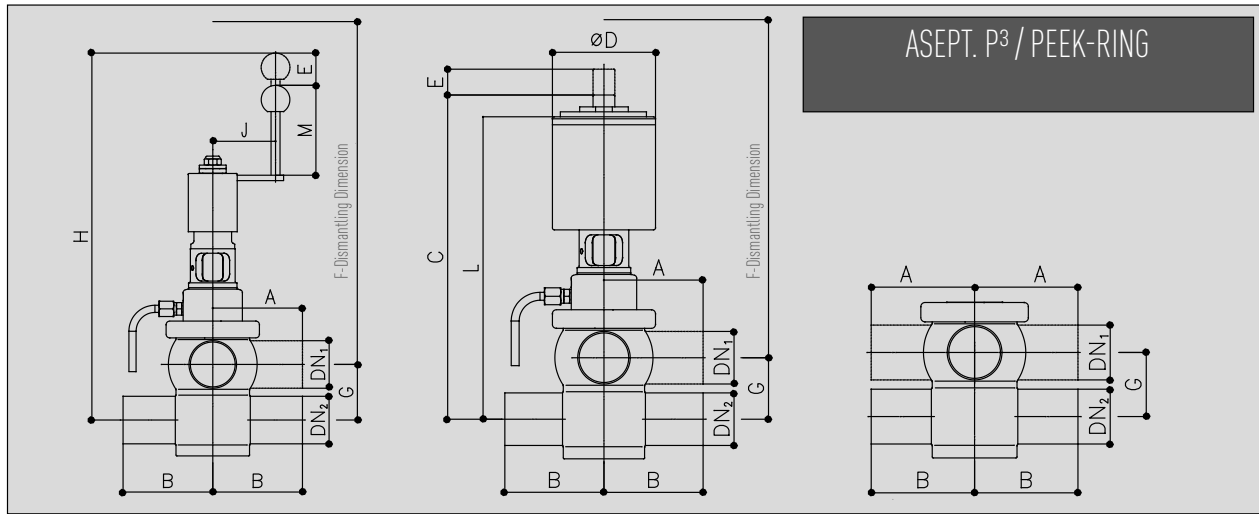
OD-TUBE		A1	A2	B	C	ØD	E	F	G	H	J	K	L	M	kg
DN	Tube														
1.0"	Ø25.40 x 1.65	80	52	50	313	104	12	325	63.7	365	70	400	287	100	
1.5"	Ø38.10 x 1.65	80	58	55	324	104	12	340	75.6	372	70	435	298	100	
2.0"	Ø50.80 x 1.65	100	70	65	337	104	16	360	93.4	385	70	460	315	100	
2.5"	Ø63.50 x 1.65	100	78	70	445	154	22	479	104.8	427	100	525	425	100	
3.0"	Ø76.20 x 1.65	120	84	80	484	154	24	530	122.6	455	100	560	455	100	
4.0"	Ø101.60 x 2.11	150	102	90	580	204	28	545	146.3	416	100	460	482	100	

ISO		A1	A2	B	C	ØD	E	F	G	H	J	K	L	M	kg
DN	Tube														
25	Ø33.7 x 2.0	80	58	60	327	104	12	330	75.5	369	70	425	301	100	
40	Ø48.3 x 2.0	100	63	70	343	104	16	365	99.5	385	70	470	321	100	
50	Ø60.3 x 2.0	100	88	80	458	154	22	484	119.5	431	100	545	437	100	
65	Ø76.1 x 2.0	120	108	90	499	154	24	535	137	461	100	580	470	100	
80	Ø88.9 x 2.3	150	128	100	590	204	31	550	157.5	479	100	640	495	100	



SVP SELECT ASEPTIC SAMPLING VALVE

SVP SELECT ASEPTIC STRAIGHT-WAY VALVE



Sampling Valve
3 x welding ends

Straight Way Valve
4 x welding ends

manual	Select A 273 D-PR	Select A 274 D-PR
pneumatic	Select A 373 D-PR	Select A 374 D-PR

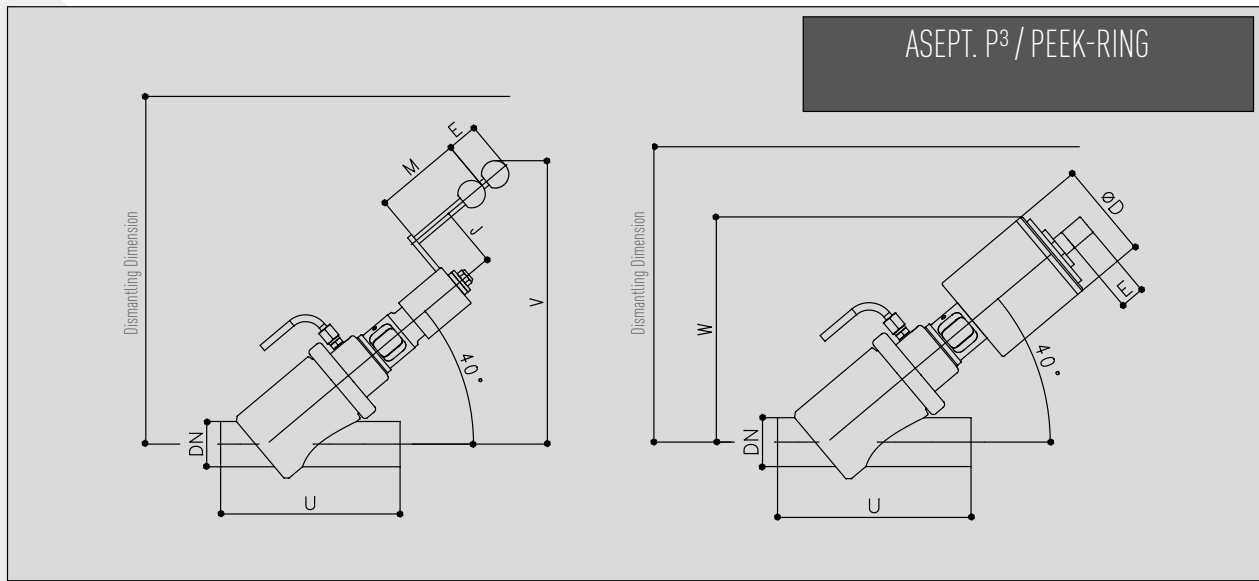
METRIC			A	B	C	ØD	E	F	G	H	J	K	L	M	kg
DN	Tube DN ₁	Tube DN ₂													
25 / 25	Ø29 x 1.5	Ø29 x 1.5	80	80	309	104	12	340	41	348	70	380	280	100	
25 / 40	Ø29 x 1.5	Ø41 x 1.5	80	80	262	104	12	340	48	355	70	380	287	100	
25 / 50	Ø29 x 1.5	Ø53 x 1.5	80	100	322	104	12	340	54	361	70	380	293	100	
40 / 40	Ø41 x 1.5	Ø41 x 1.5	80	80	319	104	12	350	50	362	70	390	295	100	
40 / 50	Ø41 x 1.5	Ø53 x 1.5	80	100	325	104	12	350	56	368	70	390	301	100	
40 / 65	Ø41 x 1.5	Ø70 x 2.0	80	100	333	104	12	350	64	376	70	390	309	100	
50 / 50	Ø53 x 1.5	Ø53 x 1.5	100	100	379	129	16	410	62	377	70	390	357	100	
50 / 65	Ø53 x 1.5	Ø70 x 2.0	100	100	387	129	16	410	70	385	70	390	365	100	
50 / 80	Ø53 x 1.5	Ø85 x 2.0	100	120	395	129	16	410	78	393	70	390	373	100	
65 / 65	Ø70 x 2.0	Ø70 x 2.0	100	100	512	154	22	565	80	426	100	470	509	100	
65 / 80	Ø70 x 2.0	Ø85 x 2.0	100	120	466	154	22	565	88	434	100	470	517	100	

OD-TUBE			A	B	C	ØD	E	F	G	H	J	K	L	M	kg
DN	Tube DN ₁	Tube DN ₂													
1.0" / 1.0"	Ø25.40 x 1.65	Ø25.40 x 1.65	80	80	301	104	13	335	35	340	70	375	272	100	
1.0" / 1.5"	Ø25.40 x 1.65	Ø38.10 x 1.65	80	80	307	104	13	335	42	346	70	375	278	100	
1.0" / 2.0"	Ø25.40 x 1.65	Ø50.80 x 1.65	80	100	312	104	13	335	48	351	70	375	283	100	
1.5" / 1.5"	Ø38.10 x 1.65	Ø38.10 x 1.65	80	80	313	104	10	345	43	356	70	385	289	100	
1.5" / 2.0"	Ø38.10 x 1.65	Ø50.80 x 1.65	80	100	319	104	10	345	50	362	70	385	295	100	
1.5" / 2.5"	Ø38.10 x 1.65	Ø63.50 x 1.65	80	100	323	104	10	345	56	366	70	385	299	100	
2.0" / 2.0"	Ø50.80 x 1.65	Ø50.80 x 1.65	100	100	372	129	14	405	60	370	70	385	350	100	
2.0" / 2.5"	Ø50.80 x 1.65	Ø63.50 x 1.65	100	100	377	129	14	405	67	375	70	385	355	100	
2.0" / 3.0"	Ø50.80 x 1.65	Ø76.20 x 1.65	100	120	383	129	14	405	73	381	70	385	361	100	
2.5" / 2.5"	Ø63.50 x 1.65	Ø63.50 x 1.65	100	100	508	154	18	560	73	422	100	465	505	100	
2.5" / 3.0"	Ø63.50 x 1.65	Ø76.20 x 1.65	100	120	515	154	18	560	80	429	100	465	512	100	

ISO			A	B	C	ØD	E	F	G	H	J	K	L	M	kg
DN	Tube DN ₁	Tube DN ₂													
25 / 25	Ø33.7 x 2.0	Ø33.7 x 2.0	80	80	309	104	12	340	41	348	70	380	280	100	
25 / 40	Ø33.7 x 2.0	Ø48.3 x 2.0	80	100	318	104	12	340	48	357	70	380	289	100	
25 / 50	Ø33.7 x 2.0	Ø60.3 x 2.0	80	100	324	104	12	340	54	363	70	380	295	100	
40 / 40	Ø48.3 x 2.0	Ø48.3 x 2.0	100	100	373	129	16	410	60	371	70	390	352	100	
40 / 50	Ø48.3 x 2.0	Ø60.3 x 2.0	100	100	379	129	16	410	65	377	70	390	357	100	
40 / 65	Ø48.3 x 2.0	Ø76.1 x 2.0	100	120	395	129	16	410	73	393	70	390	373	100	
50 / 50	Ø60.3 x 2.0	Ø60.3 x 2.0	100	100	502	154	22	565	76	415	100	470	449	100	
50 / 65	Ø60.3 x 2.0	Ø76.1 x 2.0	100	120	513	154	22	565	84	423	100	470	506	100	
50 / 80	Ø60.3 x 2.0	Ø88.9 x 2.3	100	150	519	154	22	565	90	429	100	470	514	100	

SVP SELECT ASEPTIC ANGULAR SEAT VALVE

1.4



Angular Seat Valve

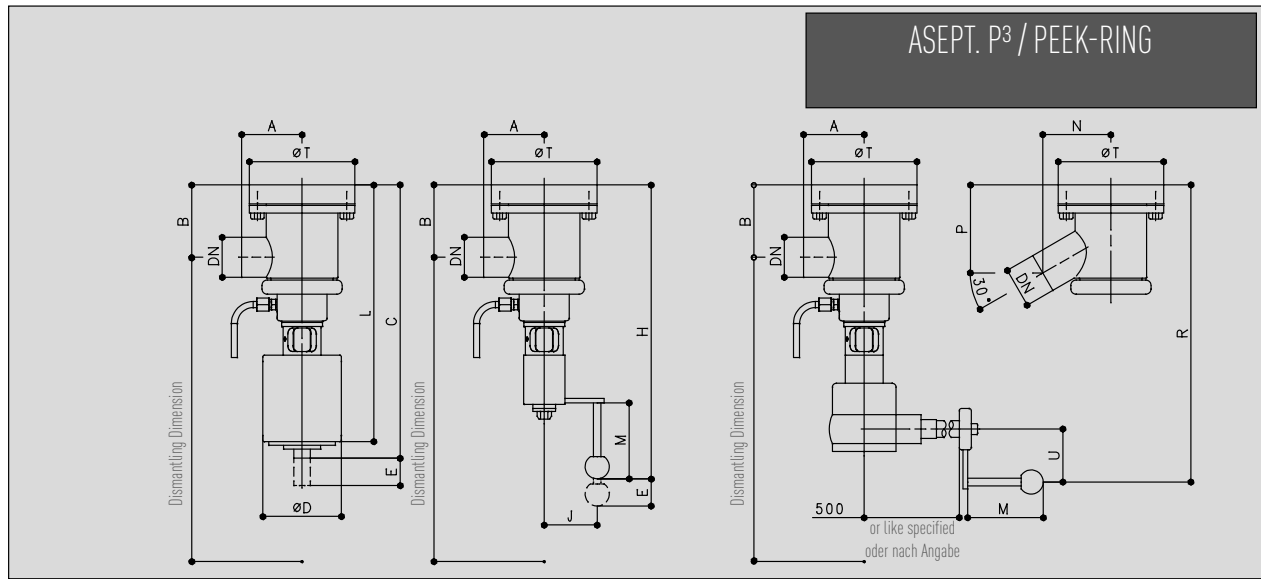
manual	Select A 280 D-PR
pneumatic	Select A 380 D-PR

METRIC											
DN	Tube	ØD	E	J	M	U	V	W	X	Y	kg
25	Ø29 x 1.5	104	12	70	100	160	317	239	289	364	
40	Ø41 x 1.5	104	12	70	100	185	322	246	304	379	
50	Ø53 x 1.5	104	16	70	100	210	327	251	319	394	
65	Ø70 x 2.0	154	22	100	100	250	398	346	419	464	
80	Ø85 x 2.0	154	24	100	100	300	416	373	457	497	
100	Ø104 x 2.0	204	31	100	100	330	433	400	507	541	

OD-TUBE											
DN	Tube	ØD	E	J	M	U	V	W	X	Y	kg
1.0"	Ø25.40 x 1.65	104	12	70	100	160	317	235	285	364	
1.5"	Ø38.10 x 1.65	104	12	70	100	185	322	243	301	379	
2.0"	Ø50.80 x 1.65	104	16	70	100	210	327	248	317	394	
2.5"	Ø63.50 x 1.65	154	22	100	100	250	398	340	418	464	
3.0"	Ø76.20 x 1.65	154	24	100	100	300	416	365	449	497	
4.0"	Ø101.60 x 2.11	204	31	100	100	330	433	398	505	541	

ISO											
DN	Tube	ØD	E	J	M	U	V	W	X	Y	kg
25	Ø33.7 x 2.0	104	12	70	100	160	317	239	289	364	
40	Ø48.3 x 2.0	104	16	70	100	210	327	251	319	394	
50	Ø60.3 x 2.0	154	22	100	100	250	398	346	419	464	
65	Ø76.1 x 2.0	154	24	100	100	300	416	373	457	497	
80	Ø88.9 x 2.3	204	31	100	100	330	433	400	507	541	





Bottom Seat Valve 90°

Bottom Seat Valve 30°

manual	Select A 285 D-PR	Select A 286 D-PR
pneumatic	Select A 385 D-PR	Select A 386 D-PR
Bevelled wheel drive	Select A 287 D-PR	Select A 288 D-PR

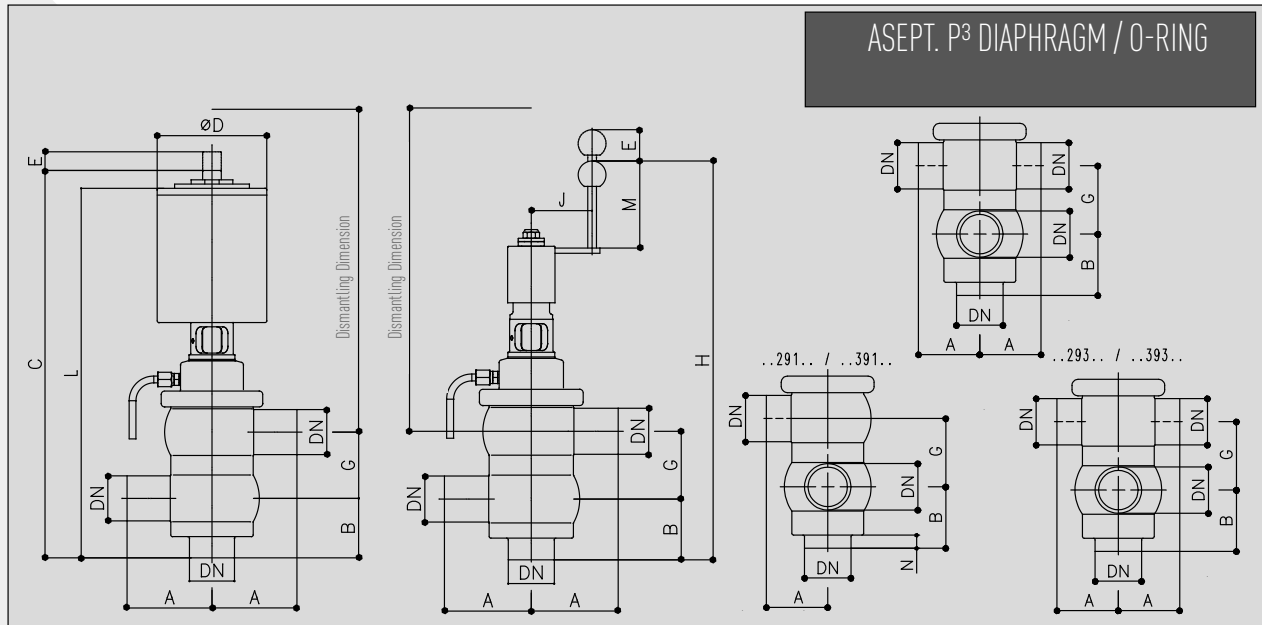
METRIC		A	B	C	ØD	E	F	H	J	K	L	M	N	P	R	S	ØT	kg
DN	Tube																	
25	Ø29 x 1.5	70	79	336	104	12	365	382	70	410	318	100	70	94	382	385	129.5	
40	Ø41 x 1.5	70	90	353	104	12	390	400	70	435	335	100	80	111	400	415	129.5	
50	Ø53 x 1.5	80	96	360	104	16	405	405	70	450	347	100	90	116	411	425	139.5	
65	Ø70 x 2.0	90	113	478	154	22	534	485	100	515	450	100	100	132	436	460	169.5	
80	Ø85 x 2.0	100	133	521	154	24	585	489	100	555	508	100	110	153	519	540	179.5	
100	Ø104 x 2.0	120	161	569	204	31	635	531	100	605	550	100	140	188	562	585	209.5	

OD-TUBE		A	B	C	ØD	E	F	H	J	K	L	M	N	P	R	S	ØT	kg
DN	Tube																	
1.0"	Ø25.40 x 1.65	70	81	336	104	12	365	382	70	410	318	100	70	97	382	385	129.5	
1.5"	Ø38.10 x 1.65	70	92	353	104	12	390	400	70	435	335	100	80	112.5	400	415	129.5	
2.0"	Ø50.80 x 1.65	80	97	360	104	16	405	405	70	450	347	100	90	118	411	425	139.5	
2.5"	Ø63.50 x 1.65	90	116	478	154	22	534	456	100	515	465	100	100	135.5	436	460	169.5	
3.0"	Ø76.20 x 1.65	100	137	521	154	24	585	489	100	555	508	100	110	157.5	519	540	179.5	
4.0"	Ø101.60 x 2.11	120	163	566	204	31	635	531	100	605	550	100	140	189.5	562	585	209.5	

ISO		A	B	C	ØD	E	F	H	J	K	L	M	N	P	R	S	ØT	kg
DN	Tube																	
25	Ø33.7 x 2.0	70	79	336	104	12	365	382	70	410	318	100	70	94	382	385	129.5	
40	Ø48.3 x 2.0	80	96	360	104	16	405	405	70	450	347	100	90	116	411	425	139.5	
50	Ø60.3 x 2.0	90	113	478	154	22	534	485	100	515	450	100	100	132	436	460	169.5	
65	Ø76.1 x 2.0	100	133	521	154	24	585	489	100	555	508	100	110	153	519	540	179.5	
80	Ø88.9 x 2.3	120	161	566	204	31	635	531	100	605	550	100	140	188	562	585	209.5	

SVP SELECT ASEPTIC CHANGE OVER VALVE SINGLE-PIECE HOUSING

1.4



Change Over Valve 3 x welding end

COV 4 x we

COV 4 x we

COV 5 x we

manual	Select A 290 D-PR	Select A 291 D-PR	Select A 292 D-PR	Select A 293 D-PR
pneumatic	Select A 390 D-PR	Select A 391 D-PR	Select A 392 D-PR	Select A 393 D-PR

METRIC		A	B	C	ØD	E	F	G	H	J	K	L	M	N	kg
DN	Tube														
25	Ø29 x 1.5	80	60	375	104	12	375	54	422	70	425	349	100	25,5	
40	Ø41 x 1.5	80	60	385	104	16	400	66	432	70	445	363	100	25,5	
50	Ø53 x 1.5	100	70	456	129	22	425	78	483	70	470	435	100	25,5	
65	Ø70 x 2.0	100	80	562	154	24	515	94	530	100	545	533	100	25,5	
80 ²⁾	Ø85 x 2.0	120	90	593	154	31	615	109	560	100	580	571	100	25,5	

OD-TUBE		A	B	C	ØD	E	F	G	H	J	K	L	M	N	kg
DN	Tube														
1.0"	Ø25.40 x 1.65	80	50	355	104	12	360	50.1	402	70	400	329	100	25,5	
1.5"	Ø38.10 x 1.65	80	55	375	104	16	385	62.8	422	70	435	353	100	25,5	
2.0"	Ø50.80 x 1.65	100	65	447	129	22	415	75.5	474	70	460	426	100	25,5	
2.5"	Ø63.50 x 1.65	100	70	543	154	24	500	88.2	511	100	525	514	100	25,5	
3.0"	Ø76.20 x 1.65	120	80	570	154	31	595	100.8	538	100	560	548	100	25,5	

ISO		A	B	C	ØD	E	F	G	H	J	K	L	M	N	kg
DN	Tube														
25	Ø33.7 x 2.0	80	60	375	104	12	375	58	422	70	425	349	100	25,5	
40	Ø48.3 x 2.0	100	70	456	129	22	425	78	483	70	470	435	100	25,5	
50	Ø60.3 x 2.0	100	80	562	154	24	515	94	530	100	545	533	100	25,5	
65 ²⁾	Ø76.1 x 2.0	120	90	593	154	31	615	109	560	100	580	571	100	25,5	

²⁾ Pneumatic valves standard with booster size II (dismantling dimensions already considered)

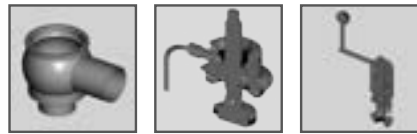


SVP SELECT ASEPTIC RIGHT ANGLE VALVE

SVP SELECT ASEPTIC DOUBLE RIGHT ANGLE VALVE

SVP SELECT ASEPTIC CROSS VALVE

1.4



Asept. Right Angle Valve with Diaphragm (P³) and PEEK-Ring
Select A 270 D-PR manual

METRIC	ID-NO.	OD-TUBE	ID-NO.	ISO	ID-NO.
25	2309855	1.0"	2309863	25	2309872
40	2309856	1.5"	2309864		
50	2309857	2.0"	2309865	40	2309873
65	2309858	2.5"	2309866	50	2309874
80	2309859	3.0"	2309867	65	2309875
100	2309860	4.0"	2309868	80	2309876



Asept. Double Right Angle Valve with Diaphragm (P³) and PEEK-Ring
Select A 271 D-PR manual

METRIC	ID-NO.	OD-TUBE	ID-NO.	ISO	ID-NO.
25	2309880	1.0"	2309888	25	2309898
40	2309881	1.5"	2309890		
50	2309882	2.0"	2309891	40	2309899
65	2309883	2.5"	2309892	50	2309920
80	2309884	3.0"	2309893	65	2309921
100	2309885	4.0"	2309894	80	2309922

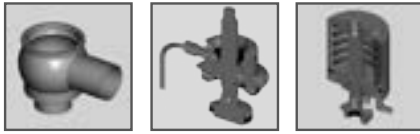


Asept. Cross Valve with Diaphragm (P³) and PEEK-Ring
Select A 272 D-PR manual

METRIC	ID-NO.	OD-TUBE	ID-NO.	ISO	ID-NO.
25	2309926	1.0"	2309934	25	2309943
40	2309927	1.5"	2309935		
50	2309928	2.0"	2309936	40	2309944
65	2309929	2.5"	2309937	50	2309945
80	2309930	3.0"	2309938	65	2309946
100	2309931	4.0"	2309939	80	2309947



SVP SELECT ASEPTIC RIGHT ANGLE VALVE
 SVP SELECT ASEPTIC DOUBLE RIGHT ANGLE VALVE
 SVP SELECT ASEPTIC CROSS VALVE



Asept. Right Angle Valve with Diaphragm (P³) and PEEK-Ring
Select A 370 D-PR pneumatic air to open-spring to close

METRIC	ID-NO.	OD-TUBE	ID-NO.	ISO	ID-NO.
25	2308199	1.0"	2309082	25	2309962
40	2309951	1.5"	2344212		
50	2309952	2.0"	2308851	40	2309963
65	2309953	2.5"	2344211	50	2309964
80	2309954	3.0"	2308850	65	2309965
100	2309955	4.0"	2309958	80	2309966



Asept. Double Right Angle Valve with Diaphragm (P³) and O-Ring (EPDM)
Select A 371 D-PR pneumatic air to open-spring to close

METRIC	ID-NO.	OD-TUBE	ID-NO.	ISO	ID-NO.
25	2309971	1.0"	2309979	25	2310003
40	2309972	1.5"	2309081		
50	2309973	2.0"	2344995	40	2310004
65	2309974	2.5"	2344206	50	2310005
80	2309975	3.0"	2309983	65	2310006
100	2309976	4.0"	2309984	80	2310007



Asept. Cross Valve with Diaphragm (P³) and PEEK-Ring
Select A 372 D-PR pneumatic air to open-spring to close

METRIC	ID-NO.	OD-TUBE	ID-NO.	ISO	ID-NO.
25	2310011	1.0"	2310019	25	2310028
40	2310012	1.5"	2310020		
50	2310013	2.0"	2310021	40	2310029
65	2310014	2.5"	2310022	50	2310030
80	2310015	3.0"	2310023	65	2310031
100	2310016	4.0"	2310024	80	2310032

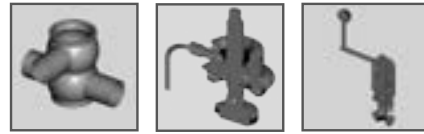
Prices for working mode air to close-spring to open as well as air to open-air to close comply with the Prices of working mode air to open-spring to close. ID-No. on request.

SVP SELECT ASEPTIC SAMPLING VALVE

SVP SELECT ASEPTIC STRAIGHT-WAY VALVE

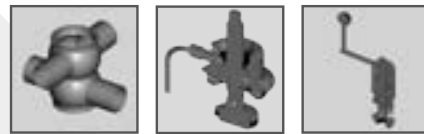
1.4

Asept. Sampling Valve with Diaphragm (P³) and PEEK-Ring Select A 273 D-PR manual



METRIC	ID-NO.	OD-TUBE	ID-NO.	ISO	ID-NO.
25 / 25	2311038	1.0" / 1.0"	2311049	25 / 25	2311060
25 / 40	2311039	1.0" / 1.5"	2311050	25 / 40	2311061
25 / 50	2311040	1.0" / 2.0"	2311051	25 / 50	2311062
40 / 40	2311041	1.5" / 1.5"	2311052		
40 / 50	2311042	1.5" / 2.0"	2311053		
40 / 65	2311043	1.5" / 2.5"	2311054		
50 / 50	2311044	2.0" / 2.0"	2311055	40 / 40	2311063
50 / 65	2311045	2.0" / 2.5"	2311056	40 / 50	2311064
50 / 80	2311046	2.0" / 3.0"	2311057	40 / 65	2311065
65 / 65	2311047	2.5" / 2.5"	2311058	50 / 50	2311066
65 / 80	2311048	2.5" / 3.0"	2311059	50 / 65	2311067

Asept. Straight-Way Valve with Diaphragm (P³) and PEEK-Ring Select A 274 D-PR manual



METRIC	ID-NO.	OD-TUBE	ID-NO.	ISO	ID-NO.
25 / 25	2311068	1.0" / 1.0"	2311079	25 / 25	2311090
25 / 40	2311069	1.0" / 1.5"	2311080	25 / 40	2311091
25 / 50	2311070	1.0" / 2.0"	2311081	25 / 50	2311092
40 / 40	2311071	1.5" / 1.5"	2311082		
40 / 50	2311072	1.5" / 2.0"	2311083		
40 / 65	2311073	1.5" / 2.5"	2311084		
50 / 50	2311074	2.0" / 2.0"	2311085	40 / 40	2311093
50 / 65	2311075	2.0" / 2.5"	2311086	40 / 50	2311094
50 / 80	2311076	2.0" / 3.0"	2311087	40 / 65	2311095
65 / 65	2311077	2.5" / 2.5"	2311088	50 / 50	2311096
65 / 80	2311078	2.5" / 3.0"	2311089	50 / 65	2311097



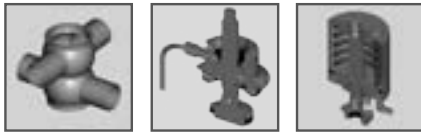
SVP SELECT ASEPTIC SAMPLING VALVE

SVP SELECT ASEPTIC STRAIGHT-WAY VALVE



Asept. Sampling Valve with Diaphragm (P³) and PEEK-Ring
Select A 373 D-PR pneumatic air to open-spring to close

METRIC	ID-NO.	OD-TUBE	ID-NO.	ISO	ID-NO.
25 / 25	2311098	1.0" / 1.0"	2311109	25 / 25	2311119
25 / 40	2311099	1.0" / 1.5"	2311110	25 / 40	2311120
25 / 50	2311100	1.0" / 2.0"	2311111	25 / 50	2311121
40 / 40	2311101	1.5" / 1.5"	2311112		
40 / 50	2311102	1.5" / 2.0"	2311113		
40 / 65	2311103	1.5" / 2.5"	2311114		
50 / 50	2311104	2.0" / 2.0"	2308853	40 / 40	2311122
50 / 65	2311105	2.0" / 2.5"	2311115	40 / 50	2311123
50 / 80	2311106	2.0" / 3.0"	2311116	40 / 65	2311124
65 / 65	2311107	2.5" / 2.5"	2311117	50 / 50	2311125
65 / 80	2311108	2.5" / 3.0"	2311118	50 / 65	2311126



Asept. Straight-Way Valve with Diaphragm (P³) and PEEK-Ring
Select A 374 D-PR pneumatic air to open-spring to close

METRIC	ID-NO.	OD-TUBE	ID-NO.	ISO	ID-NO.
25 / 25	2311127	1.0" / 1.0"	2311138	25 / 25	2311148
25 / 40	2311128	1.0" / 1.5"	2311139	25 / 40	2311149
25 / 50	2311129	1.0" / 2.0"	2311140	25 / 50	2311150
40 / 40	2311130	1.5" / 1.5"	2311141		
40 / 50	2311131	1.5" / 2.0"	2311142		
40 / 65	2311132	1.5" / 2.5"	2311143		
50 / 50	2311133	2.0" / 2.0"	2308852	40 / 40	2311151
50 / 65	2311134	2.0" / 2.5"	2311144	40 / 50	2311152
50 / 80	2311135	2.0" / 3.0"	2311145	40 / 65	2311153
65 / 65	2311136	2.5" / 2.5"	2311146	50 / 50	2311154
65 / 80	2311137	2.5" / 3.0"	2311147	50 / 65	2311155

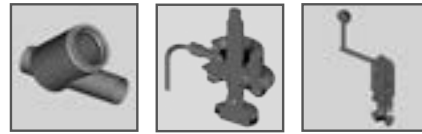
Prices for working mode air to close-spring to open as well as air to open-air to close comply with the Prices of working mode air to open-spring to close. ID-No. on request.

SVP SELECT ASEPTIC ANGULAR SEAT VALVE

SVP SELECT ASEPTIC BOTTOM SEAT VALVE

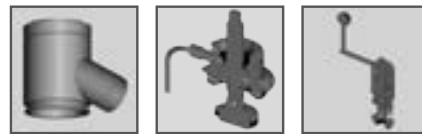
1.4

Asept. Angular Seat Valve with Diaphragm (P³) and PEEK-Ring Select A 280 D-PR manual



METRIC	ID-NO.	OD-TUBE	ID-NO.	ISO	ID-NO.
25	2310376	1.0"	2310384	25	2310393
40	2310377	1.5"	2310385		
50	2310378	2.0"	2310386	40	2310394
65	2310379	2.5"	2310387	50	2310395
80	2310380	3.0"	2310388	65	2310396
100	2310381	4.0"	2310389	80	2310397

Asept. Bottom Seat Valve with Diaphragm (P³) and PEEK-Ring / 30° Outlet Select A 286 D-PR manual



METRIC	ID-NO.	OD-TUBE	ID-NO.	ISO	ID-NO.
25	2310401	1.0"	2310409	25	2310418
40	2310402	1.5"	2310410		
50	2310403	2.0"	2310411	40	2310419
65	2310404	2.5"	2310412	50	2310420
80	2310405	3.0"	2310413	65	2310421
100	2310406	4.0"	2310414	80	2310422

Asept. Bottom Seat Valve with Diaphragm (P³) and PEEK-Ring / 30° Outlet Select A 288 D-PR Bevelled wheel drive

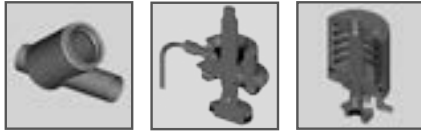


METRIC	ID-NO.	OD-TUBE	ID-NO.	ISO	ID-NO.
25	2310426	1.0"	2310434	25	2310443
40	2310427	1.5"	2310435		
50	2310428	2.0"	2310436	40	2310444
65	2310429	2.5"	2310437	50	2310445
80	2310430	3.0"	2310438	65	2310446
100	2310431	4.0"	2310439	80	2310447



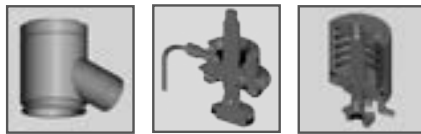
SVP SELECT ASEPTIC ANGULAR SEAT VALVE

SVP SELECT ASEPTIC BOTTOM SEAT VALVE



Asept. Angular Seat Valve with Diaphragm (P³) and PEEK-Ring
Select A 380 D-PR pneumatic air to open-spring to close

METRIC	ID-NO.	OD-TUBE	ID-NO.	ISO	ID-NO.
25	2310451	1.0"	2310459	25	2310468
40	2310452	1.5"	2310460		
50	2310453	2.0"	2310461	40	2310469
65	2310454	2.5"	2310462	50	2310470
80	2310455	3.0"	2310463	65	2310471
100	2310456	4.0"	2310464	80	2310472

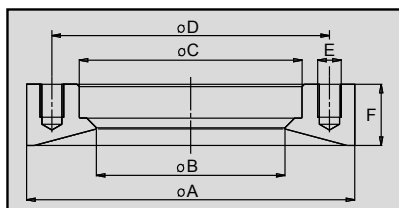


Asept. Bottom Seat Valve with Diaphragm (P³) and PEEK-Ring / 30° Outlet
Select A 386 D-PR pneumatic air to open-spring to close

METRIC	ID-NO.	OD-TUBE	ID-NO.	ISO	ID-NO.
25	2310476	1.0"	2310483	25	2310492
40	2307982	1.5"	2310484		
50	2310477	2.0"	2310485	40	2310493
65	2310478	2.5"	2310486	50	2310494
80	2310479	3.0"	2310487	65	2310495
100	2310480	4.0"	2310488	80	2310496

Prices for working mode air to close-spring to open as well as air to open-air to close comply with the Prices of working mode air to open-spring to close. ID-No. on request.

Please order separately:
 Weld-In Flange for Bottom Seat Valves
Z 2000/Select B 1.4404 (AISI 316L) APZ 3.1



N.b.: Weld-In Flange Z 2000/Select B complies with valve range SVP Model 2000, but is not compatible to the valve range SVP Model 1990!

SIZES	ØA	ØB	ØC	ØD	E	F	ID-NO.
DN 25/1.0"/ISO 25	129.5	66.1	79.75	105	4 x M10	26	2123264
DN 40/1.5"	129.5	66.1	79.75	105	4 x M10	26	2123264
DN 50/2.0"/ISO40	139.5	80.1	94.75	118	4 x M10	26	2123266
DN 65/2.5"/ISO 50	169.5	98.1	114.75	143	4 x M12	30	2123268
DN 80/3.0"/ISO 65	179.5	114.5	129.80	156	4 x M12	35	2123270
DN 100/4.0"/ISO 80	209.5	140.5	159.80	185	4 x M12	37	2123297

SVP SELECT ASEPTIC CHANGE OVER VALVE SINGLE-PIECE HOUSING

1.4

Asept. Change Over Valve with Diaphragm (P³) and PEEK-Ring
Select A 290 D-PR manual



METRIC	ID-NO.	OD-TUBE	ID-NO.	ISO	ID-NO.
25	2310705	1.0"	2310712	25	2310720
40	2310706	1.5"	2310713		
50	2310707	2.0"	2310714	40	2310721
65	2310708	2.5"	2310715	50	2310722
80	2310709	3.0"	2310716	65	2310723

Asept. Change Over Valve with Diaphragm (P³) and PEEK-Ring
Select A 292 D-PR manual



METRIC	ID-NO.	OD-TUBE	ID-NO.	ISO	ID-NO.
25	2310727	1.0"	2310734	25	2310742
40	2310728	1.5"	2310735		
50	2310729	2.0"	2310736	40	2310743
65	2310730	2.5"	2310737	50	2310744
80	2310731	3.0"	2310738	65	2310745



SVP SELECT ASEPTIC CHANGE OVER VALVE SINGLE-PIECE HOUSING



Asept. Change Over Valve with Diaphragm (P³) and PEEK-Ring
Select A 390 D-PR pneumatic air to open-spring to close

METRIC	ID-NO.	OD-TUBE	ID-NO.	ISO	ID-NO.
25	2310749	1.0"	2310756	25	2310763
40	2310750	1.5"	2310757		
50	2310751	2.0"	2310758	40	2310764
65	2310752	2.5"	2310759	50	2310765
80	2310753	3.0"	2308854	65	2310766

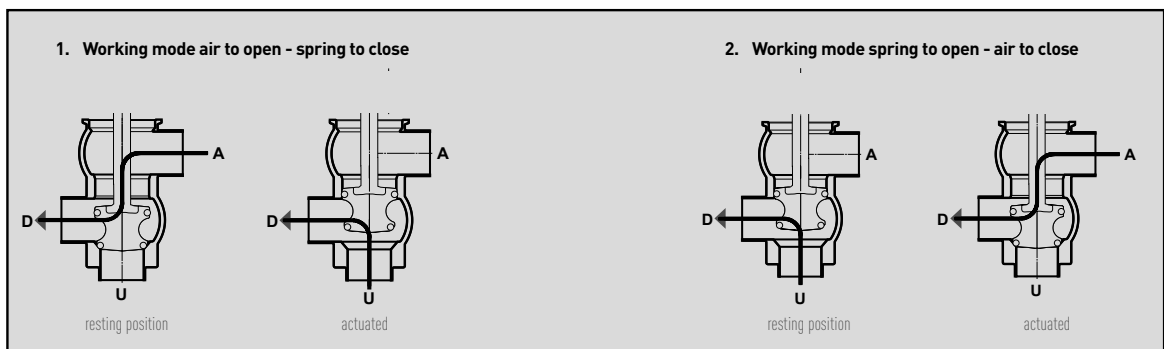


Asept. Change Over Valve with Diaphragm (P³) and PEEK-Ring
Select A 392 D-PR pneumatic air to open-spring to close

METRIC	ID-NO.	OD-TUBE	ID-NO.	ISO	ID-NO.
25	2310770	1.0"	2310777	25	2310785
40	2310771	1.5"	2310778		
50	2310772	2.0"	2310779	40	2310786
65	2310773	2.5"	2310780	50	2310787
80	2310774	3.0"	2310781	65	2310788

Prices for working mode air to close-spring to open as well as air to open-air to close comply with the Prices of working mode air to open-spring to close. ID-No. on request.

Flow Directions Change Over Valve, Single-Piece Housing





SÜDMO

ASEPTIC SVP SELECT SINGLE SEAT VALVES WITH P³ DIAPHRAGM / PEEK-DISC

CONTENTS

1.5.2 GENERAL INFORMATION AND TECHNICAL SPECIFICATION

1.5.4 DIMENSIONS AND TECHNICAL DRAWINGS

1.5.8 ID NUMBERS

SÜDMO SVP SELECT

ASEPTIC VALVES WITH P³ DIAPHRAGM / PEEK-DISC

SVP SELECT ASEPTIC SINGLE SEAT VALVES WITH P³ DIAPHRAGM / PEEK-DISC

SVP Select Valves are ideal for the use in aseptic applications within the dairy and pharmaceutical industry. Easy and fast maintenance, excellent cleanability as well as a sump and dome free design are standard elements of this valve series. All aseptic SVP Select Valves are equipped with the P³ diaphragm for a hermetic separation of product side and atmosphere.

P³ stands for performance power three and was designed in a diaphragm geometry for sealing the spindle area. This revolutionary seal option is resistant to high pressure, high temperature and a wide range of media, and has a long service life when subjected to frequent switching operations.

P³ has excellent cleaning properties and outstanding performance even under the most difficult operating conditions, ensuring that the system remains sterile.

Benefits:

- Prevents product burning on the valve seat
- No additional sealing element on the valve seat
- Optimized flow-through geometries



SÜDMO SVP SELECT

ASEPTIC VALVES WITH P³ DIAPHRAGM / PEEK-DISC

TECHNICAL SPECIFICATION	
Materials	Product wetted parts 1.4404 (AISI 316 L)
	Optional 1.4435 (AISI 316 L) Other materials on request
	Parts not product wetted 1.4301 (AISI 304), 1.4307 (AISI 304 L)
Sealing Elements	Sealing materials (FDA) PEEK Other sealing materials on request
	Diaphragm (FDA) P ³
Temperatures	Continuous operating temperature PEEK 150°C/302°F, P ³ 150°C/302°F *
	Sterilization temperature PEEK 150°C/302°F, P ³ 150°C/302°F * (ca. 20 min.)
Pressures	Operating pressure 6 bar (87 psi) Higher pressures on request
	Control pressure Min. 6 bar (87 psi) - max. 8 bar (116 psi)
	Optional Booster: in case of insufficient control air pressure
Surfaces	Product wetted surfaces Ra ≤ 0,8 µm
	Surfaces not product wetted Bright-turned, Ra 1,6 µm
	Optional Product wetted surfaces e-polished, higher quality surfaces on request
Connections	Standard Welding ends for pipes acc. to DIN 11850 series 2 (DIN 11866 series A), OD-tube (ASTM A270, DIN 11866 series C, ASME BPE-2009) and DIN EN ISO 1127 (DIN 11866 Series B)
	Optional Other tube diameters on request

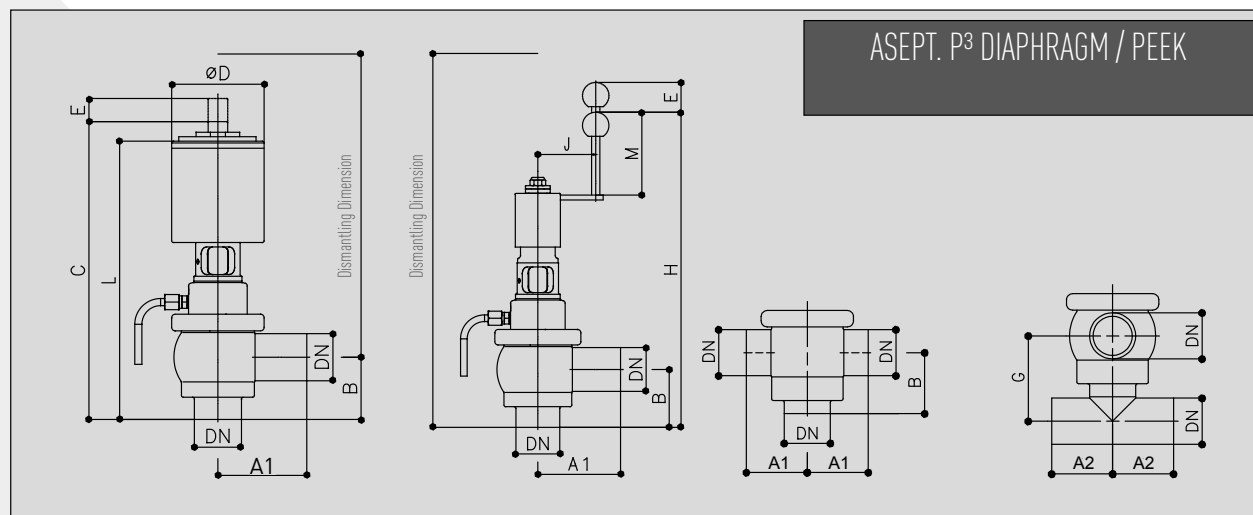
* Depending on operating parameters

SVP SELECT ASEPTIC RIGHT ANGLE VALVE

SVP SELECT ASEPTIC DOUBLE RIGHT ANGLE VALVE

SVP SELECT ASEPTIC CROSS VALVE

1.5



Right Angle Valve

Double Right Angle Valve

Cross Valve

manual	Select A 270 D-PEEK	Select A 271 D-PEEK	Select A 272 D-PEEK
pneumatic	Select A 370 D-PEEK	Select A 371 D-PEEK	Select A 372 D-PEEK

METRIC		A1	A2	B	C	ØD	E	F	G	H	J	K	L	M	kg
DN	Tube														
25	Ø29 x 1.5	80	48	60	327	104	12	330	75.5	369	70	425	301	100	
40	Ø41 x 1.5	80	58	60	331	104	12	345	82.5	372	70	445	305	100	
50	Ø53 x 1.5	100	78	70	387	129	16	410	99.5	385	70	470	365	100	
65	Ø70 x 2.0	100	100	80	458	154	22	484	119.5	431	100	545	437	100	
80	Ø85 x 2.0	120	125	90	499	154	24	535	137	461	100	580	470	100	
100	Ø104 x 2.0	150	150	100	590	204	31	550	157.5	479	100	640	495	100	

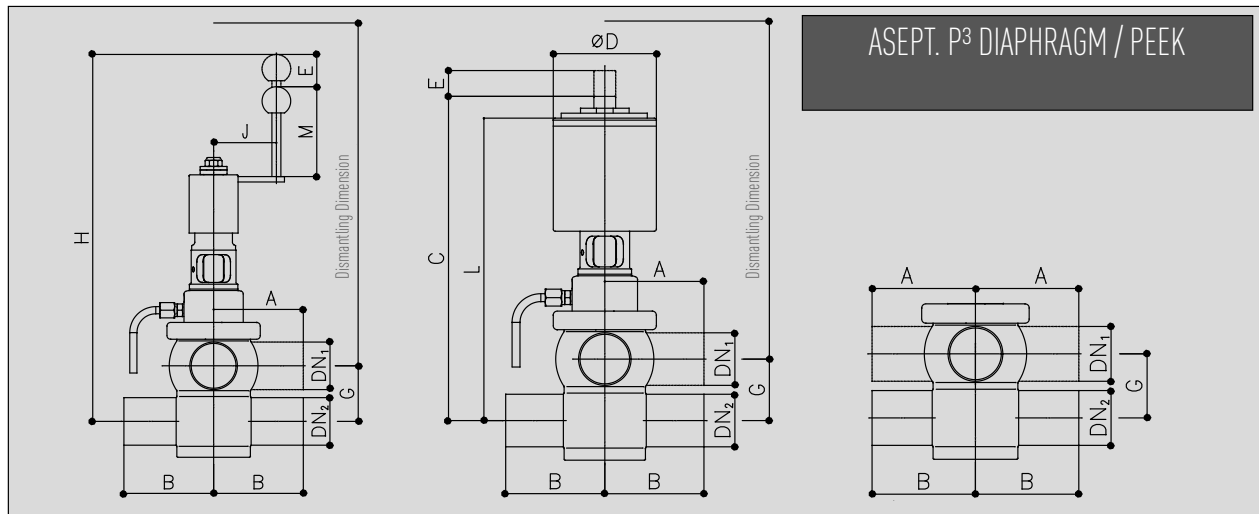
OD-TUBE		A1	A2	B	C	ØD	E	F	G	H	J	K	L	M	kg
DN	Tube														
1.0"	Ø25.40 x 1.65	80	52	50	313	64.5	12	325	63.7	365	70	400	287	100	
1.5"	Ø38.10 x 1.65	80	58	55	324	104	12	340	75.6	372	70	435	298	100	
2.0"	Ø50.80 x 1.65	100	70	65	381	129	16	405	93.4	385	70	460	315	100	
2.5"	Ø63.50 x 1.65	100	78	70	445	154	22	479	104.8	427	100	525	375	100	
3.0"	Ø76.20 x 1.65	120	84	80	484	154	24	530	122.6	455	100	560	455	100	
4.0"	Ø101.60 x 2.11	150	102	90	574	204	28	545	146.3	416	100	460	423	100	

ISO		A1	A2	B	C	ØD	E	F	G	H	J	K	L	M	kg
DN	Tube														
25	Ø33.7 x 2.0	80	58	60	327	104	12	330	75.5	369	70	425	298	100	
40	Ø48.3 x 2.0	100	63	70	387	129	16	410	99.5	385	70	470	360	100	
50	Ø60.3 x 2.0	100	88	80	458	154	22	484	119.5	431	100	545	425	100	
65	Ø76.1 x 2.0	120	108	90	499	154	24	535	137	461	100	580	455	100	
80	Ø88.9 x 2.3	150	128	100	590	204	31	550	157.5	479	100	640	482	100	



SVP SELECT ASEPTIC SAMPLING VALVE

SVP SELECT ASEPTIC STRAIGHT-WAY VALVE



Sampling Valve
3 x welding ends

Straight Way Valve
4 x welding ends

manual	Select A 273 D-PEEK	Select A 274 D-PEEK
pneumatic	Select A 373 D-PEEK	Select A 374 D-PEEK

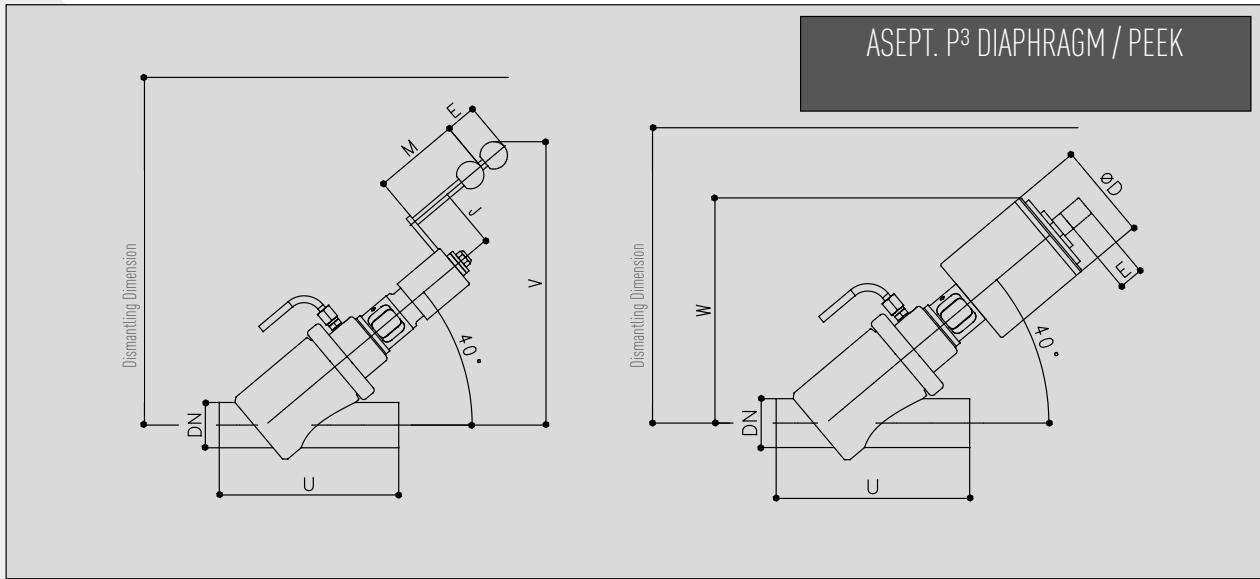
METRIC			A	B	C	ØD	E	F	G	H	J	K	L	M	kg
DN	Tube DN1	Tube DN2													
25 / 25	Ø29 x 1.5	Ø29 x 1.5	80	80	309	104	12	340	41	348	70	380	280	100	
25 / 40	Ø29 x 1.5	Ø41 x 1.5	80	80	262	104	12	340	48	355	70	380	287	100	
25 / 50	Ø29 x 1.5	Ø53 x 1.5	80	100	322	104	12	340	54	361	70	380	293	100	
40 / 40	Ø41 x 1.5	Ø41 x 1.5	80	80	319	104	12	350	50	362	70	390	295	100	
40 / 50	Ø41 x 1.5	Ø53 x 1.5	80	100	325	104	12	350	56	368	70	390	301	100	
40 / 65	Ø41 x 1.5	Ø70 x 2.0	80	100	333	104	12	350	64	376	70	390	309	100	
50 / 50	Ø53 x 1.5	Ø53 x 1.5	100	100	379	129	16	410	62	377	70	390	357	100	
50 / 65	Ø53 x 1.5	Ø70 x 2.0	100	100	387	129	16	410	70	385	70	390	365	100	
50 / 80	Ø53 x 1.5	Ø85 x 2.0	100	120	395	129	16	410	78	393	70	390	373	100	
65 / 65	Ø70 x 2.0	Ø70 x 2.0	100	100	512	154	22	565	80	426	100	470	509	100	
65 / 80	Ø70 x 2.0	Ø85 x 2.0	100	120	466	154	22	565	88	434	100	470	517	100	

OD-TUBE			A	B	C	ØD	E	F	G	H	J	K	L	M	kg
DN	Tube DN1	Tube DN2													
1.0" / 1.0"	Ø25.40 x 1.65	Ø25.40 x 1.65	80	80	301	104	13	335	35	340	70	375	272	100	
1.0" / 1.5"	Ø25.40 x 1.65	Ø38.10 x 1.65	80	80	307	104	13	335	42	346	70	375	278	100	
1.0" / 2.0"	Ø25.40 x 1.65	Ø50.80 x 1.65	80	100	312	104	13	335	48	351	70	375	283	100	
1.5" / 1.5"	Ø38.10 x 1.65	Ø38.10 x 1.65	80	80	313	104	10	345	43	356	70	385	289	100	
1.5" / 2.0"	Ø38.10 x 1.65	Ø50.80 x 1.65	80	100	319	104	10	345	50	362	70	385	295	100	
1.5" / 2.5"	Ø38.10 x 1.65	Ø63.50 x 1.65	80	100	323	104	10	345	56	366	70	385	299	100	
2.0" / 2.0"	Ø50.80 x 1.65	Ø50.80 x 1.65	100	100	372	129	14	405	60	370	70	385	350	100	
2.0" / 2.5"	Ø50.80 x 1.65	Ø63.50 x 1.65	100	100	377	129	14	405	67	375	70	385	355	100	
2.0" / 3.0"	Ø50.80 x 1.65	Ø76.20 x 1.65	100	120	383	129	14	405	73	381	70	385	361	100	
2.5" / 2.5"	Ø63.50 x 1.65	Ø63.50 x 1.65	100	100	508	154	18	560	73	422	100	465	505	100	
2.5" / 3.0"	Ø63.50 x 1.65	Ø76.20 x 1.65	100	120	515	154	18	560	80	429	100	465	512	100	

ISO			A	B	C	ØD	E	F	G	H	J	K	L	M	kg
DN	Tube DN1	Tube DN2													
25 / 25	Ø33.7 x 2.0	Ø33.7 x 2.0	80	80	309	104	12	340	41	348	70	380	280	100	
25 / 40	Ø33.7 x 2.0	Ø48.3 x 2.0	80	100	318	104	12	340	48	357	70	380	289	100	
25 / 50	Ø33.7 x 2.0	Ø60.3 x 2.0	80	100	324	104	12	340	54	363	70	380	295	100	
40 / 40	Ø48.3 x 2.0	Ø48.3 x 2.0	100	100	373	129	16	410	60	371	70	390	352	100	
40 / 50	Ø48.3 x 2.0	Ø60.3 x 2.0	100	100	379	129	16	410	65	377	70	390	357	100	
40 / 65	Ø48.3 x 2.0	Ø76.1 x 2.0	100	120	395	129	16	410	73	393	70	390	373	100	
50 / 50	Ø60.3 x 2.0	Ø60.3 x 2.0	100	100	502	154	22	565	76	415	100	470	449	100	
50 / 65	Ø60.3 x 2.0	Ø76.1 x 2.0	100	120	513	154	22	565	84	423	100	470	506	100	
50 / 80	Ø60.3 x 2.0	Ø88.9 x 2.3	100	150	519	154	22	565	90	429	100	470	514	100	

SVP SELECT ASEPTIC ANGULAR SEAT VALVE

1.5



Angular Seat Valve

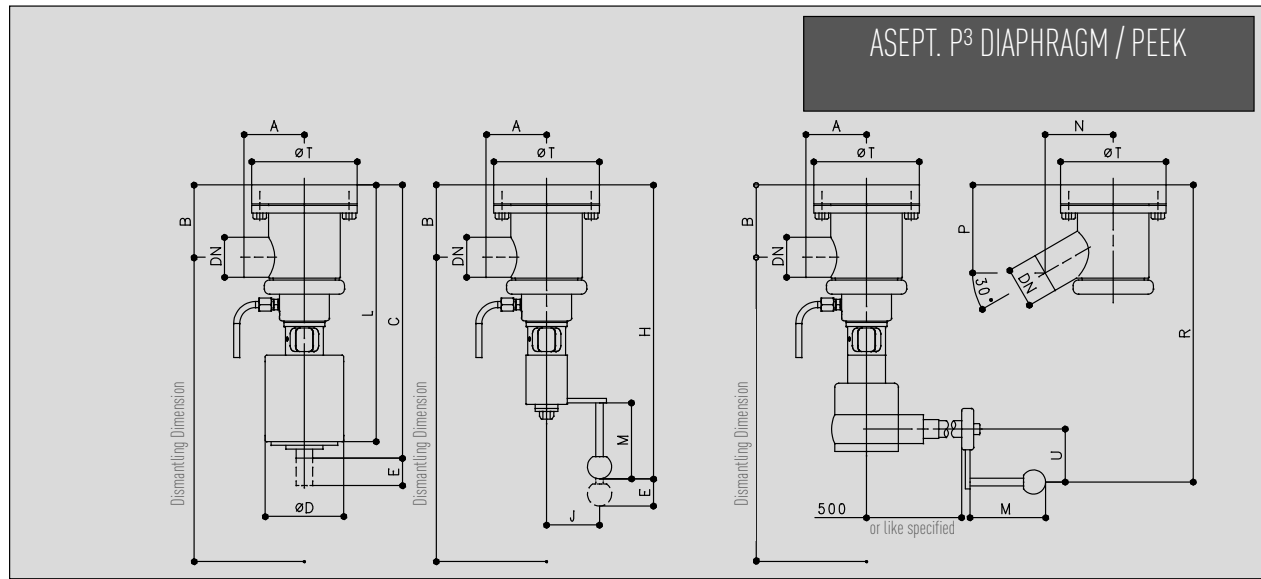
manual	Select A 280 D-PEEK
pneumatic	Select A 380 D-PEEK

METRIC											
DN	Tube	ØD	E	J	M	U	V	W	X	Y	kg
25	Ø29 x 1.5	104	12	70	100	160	317	239	289	364	
40	Ø41 x 1.5	104	12	70	100	185	322	246	304	379	
50	Ø53 x 1.5	129	16	70	100	210	327	291	359	394	
65	Ø70 x 2.0	154	22	100	100	250	398	346	419	464	
80	Ø85 x 2.0	154	24	100	100	300	416	373	457	497	
100	Ø104 x 2.0	204	31	100	100	330	433	394	501	541	

OD-TUBE											
DN	Tube	ØD	E	J	M	U	V	W	X	Y	kg
1.0"	Ø25.40 x 1.65	104	12	70	100	160	317	235	285	364	
1.5"	Ø38.10 x 1.65	104	12	70	100	185	322	243	301	379	
2.0"	Ø50.80 x 1.65	129	16	70	100	210	327	289	356	394	
2.5"	Ø63.50 x 1.65	154	22	100	100	250	398	340	418	464	
3.0"	Ø76.20 x 1.65	154	24	100	100	300	416	365	449	497	
4.0"	Ø101.60 x 2.11	204	31	100	100	330	433	398	505	541	

ISO											
DN	Tube	ØD	E	J	M	U	V	W	X	Y	kg
25	Ø33.7 x 2.0	104	12	70	100	160	317	239	289	364	
40	Ø48.3 x 2.0	129	16	70	100	210	327	291	359	394	
50	Ø60.3 x 2.0	154	22	100	100	250	398	346	419	464	
65	Ø76.1 x 2.0	154	24	100	100	300	416	373	457	497	
80	Ø88.9 x 2.3	204	31	100	100	330	433	394	501	541	





Bottom Seat Valve 90°

Bottom Seat Valve 30°

manual	Select A 285 D-PEEK	Select A 286 D-PEEK
pneumatic	Select A 385 D-PEEK	Select A 386 D-PEEK
bevelled wheel drive	Select A 287 D-PEEK	Select A 288 D-PEEK

METRIC		A	B	C	ØD	E	F	H	J	K	L	M	N	P	R	S	ØT	kg
DN	Tube																	
25	Ø29 x 1.5	70	79	336	104	12	365	382	410	410	318	100	70	94	382	385	129.5	
40	Ø41 x 1.5	70	90	353	104	12	390	400	435	435	335	100	80	111	400	415	129.5	
50	Ø53 x 1.5	80	96	404	129	16	450	405	450	450	391	100	90	116	411	425	139.5	
65	Ø70 x 2.0	90	113	478	154	22	534	485	100	515	450	100	100	132	436	460	169.5	
80	Ø85 x 2.0	100	133	521	154	24	585	489	555	555	508	100	110	153	519	540	179.5	
100	Ø104 x 2.0	120	161	569	204	31	635	531	100	605	550	100	140	188	562	585	209.5	

OD-TUBE		A	B	C	ØD	E	F	H	J	K	L	M	N	P	R	S	ØT	kg
DN	Tube																	
1.0"	Ø25.40 x 1.65	70	81	336	104	12	365	382	70	410	318	100	70	97	382	385	129.5	
1.5"	Ø38.10 x 1.65	70	92	353	104	12	390	400	70	435	335	100	80	112.5	400	415	129.5	
2.0"	Ø50.80 x 1.65	80	97	404	129	16	450	405	70	450	391	100	90	118	411	425	139.5	
2.5"	Ø63.50 x 1.65	90	116	478	154	22	534	456	100	515	465	100	100	135.5	436	460	169.5	
3.0"	Ø76.20 x 1.65	100	137	521	154	24	585	489	100	555	508	100	110	157.5	519	540	179.5	
4.0"	Ø101.60 x 2.11	120	163	566	204	31	635	531	100	605	550	100	140	189.5	562	585	209.5	

ISO		A	B	C	ØD	E	F	H	J	K	L	M	N	P	R	S	ØT	kg
DN	Tube																	
25	Ø33.7 x 2.0	70	77	336	104	12	365	382	70	410	318	100	70	92.5	382	385	129.5	
40	Ø48.3 x 2.0	80	98.5	404	129	16	450	405	70	450	391	100	90	116	411	425	139.5	
50	Ø60.3 x 2.0	90	113	478	154	22	534	485	100	515	450	100	100	132	436	460	169.5	
65	Ø76.1 x 2.0	100	137.5	521	154	24	585	489	100	555	508	100	110	153	519	540	179.5	
80	Ø88.9 x 2.3	120	161	566	204	31	635	531	100	605	550	100	140	188	562	585	209.5	

SVP SELECT ASEPTIC RIGHT ANGLE VALVE
 SVP SELECT ASEPTIC DOUBLE RIGHT ANGLE VALVE
 SVP SELECT ASEPTIC CROSS VALVE



Asept. Right Angle Valve with Diaphragm (P³) and PEEK-Disc
 Select A 270 D-PEEK manual

METRIC	ID-NO.	OD-TUBE	ID-NO.	ISO	ID-NO.
25	2304084	1.0"	2304090	25	2310086
40	2304085	1.5"	2304091		
50	2304086	2.0"	2304092	40	2310087
65	2308867	2.5"	2304093	50	2310088
80	2304088	3.0"	2304094	65	2310089
100	2304089	4.0"	2304095	80	2310090



Asept. Double Right Angle Valve with Diaphragm (P³) and PEEK-Disc
 Select A 271 D-PEEK manual

METRIC	ID-NO.	OD-TUBE	ID-NO.	ISO	ID-NO.
25	2304096	1.0"	2304102	25	2310095
40	2304097	1.5"	2304103		
50	2304098	2.0"	2304104	40	2310096
65	2304099	2.5"	2304105	50	2310097
80	2304100	3.0"	2304106	65	2310098
100	2304101	4.0"	2304107	80	2310099



Asept. Cross Valve with Diaphragm (P³) and PEEK-Disc
 Select A 272 D-PEEK manual

METRIC	ID-NO.	OD-TUBE	ID-NO.	ISO	ID-NO.
25	2304108	1.0"	2304114	25	2310113
40	2304109	1.5"	2304115		
50	2304110	2.0"	2304116	40	2310114
65	2304111	2.5"	2304117	50	2310115
80	2304112	3.0"	2304118	65	2310116
100	2304113	4.0"	2304119	80	2310117



SVP SELECT ASEPTIC RIGHT ANGLE VALVE
SVP SELECT ASEPTIC DOUBLE RIGHT ANGLE VALVE
SVP SELECT ASEPTIC CROSS VALVE



Asept. Right Angle Valve with Diaphragm [P³] and PEEK-Disc
Select A 370 D-PEEK pneumatic air to open-spring to close

METRIC	ID-NO.	OD-TUBE	ID-NO.	ISO	ID-NO.
25	2308866	1.0"	2308872	25	2310153
40	2343631	1.5"	2304150		
50	2308868	2.0"	2304151	40	2310154
65	2308869	2.5"	2304152	50	2310155
80	2308870	3.0"	2304153	65	2310156
100	2343635	4.0"	2304154	80	2310157



Asept. Double Right Angle Valve with Diaphragm [P³] and PEEK-Disc
Select A 371 D-PEEK pneumatic air to open-spring to close

METRIC	ID-NO.	OD-TUBE	ID-NO.	ISO	ID-NO.
25	2308871	1.0"	2304161	25	2310161
40	2304156	1.5"	2304162		
50	2308873	2.0"	2304163	40	2310162
65	2308874	2.5"	2343835	50	2310163
80	2304159	3.0"	2304164	65	2310164
100	2304160	4.0"	2304165	80	2310165



Asept. Cross Valve with Diaphragm [P³] and PEEK-Disc
Select A 372 D-PEEK pneumatic air to open-spring to close

METRIC	ID-NO.	OD-TUBE	ID-NO.	ISO	ID-NO.
25	2304166	1.0"	2304172	25	2310169
40	2304167	1.5"	2304173		
50	2304168	2.0"	2304174	40	2310170
65	2304169	2.5"	2304175	50	2310171
80	2304170	3.0"	2304176	65	2310172
100	2304171	4.0"	2304177	80	2310173

Prices for working mode air to close-spring to open as well as air to open-air to close comply with the Prices of working mode air to open-spring to close. ID-No. on request.

SVP SELECT ASEPTIC SAMPLING VALVE

SVP SELECT ASEPTIC STRAIGHT-WAY VALVE



Asept. Sampling Valve with Diaphragm (P³) and PEEK-Disc
Select A 273 D-PEEK manual

METRIC	ID-NO.	OD-TUBE	ID-NO.	ISO	ID-NO.
25 / 25	2309852	1.0" / 1.0"	2309886	25 / 25	2309941
25 / 40	2309853	1.0" / 1.5"	2309887	25 / 40	2309942
25 / 50	2309854	1.0" / 2.0"	2309895	25 / 50	2311156
40 / 40	2309861	1.5" / 1.5"	2309896		
40 / 50	2309862	1.5" / 2.0"	2311252		
40 / 65	2309869	1.5" / 2.5"	2311253		
50 / 50	2309870	2.0" / 2.0"	2309924	40 / 40	2311157
50 / 65	2309871	2.0" / 2.5"	2309925	40 / 50	2311158
50 / 80	2309877	2.0" / 3.0"	2309932	40 / 65	2311159
65 / 65	2309878	2.5" / 2.5"	2309933	50 / 50	2311160
65 / 80	2309879	2.5" / 3.0"	2309940	50 / 65	2311161



Asept. Straight-Way Valve with Diaphragm (P³) and PEEK-Disc
Select A 274 D-PEEK manual

METRIC	ID-NO.	OD-TUBE	ID-NO.	ISO	ID-NO.
25 / 25	2311162	1.0" / 1.0"	2311173	25 / 25	2311184
25 / 40	2311163	1.0" / 1.5"	2311174	25 / 40	2311185
25 / 50	2311164	1.0" / 2.0"	2311175	25 / 50	2311186
40 / 40	2311165	1.5" / 1.5"	2311176		
40 / 50	2311166	1.5" / 2.0"	2311177		
40 / 65	2311167	1.5" / 2.5"	2311178		
50 / 50	2311168	2.0" / 2.0"	2311179	40 / 40	2311187
50 / 65	2311169	2.0" / 2.5"	2311180	40 / 50	2311188
50 / 80	2311170	2.0" / 3.0"	2311181	40 / 65	2311189
65 / 65	2311171	2.5" / 2.5"	2311182	50 / 50	2311190
65 / 80	2311172	2.5" / 3.0"	2311183	50 / 65	2311191



SVP SELECT ASEPTIC SAMPLING VALVE

SVP SELECT ASEPTIC STRAIGHT-WAY VALVE



Asept. Sampling Valve with Diaphragm (P³) and PEEK-Disc
Select A 373 D-PEEK pneumatic air to open-spring to close

METRIC	ID-NO.	OD-TUBE	ID-NO.	ISO	ID-NO.
25 / 25	2311192	1.0" / 1.0"	2311203	25 / 25	2311214
25 / 40	2311193	1.0" / 1.5"	2311204	25 / 40	2311215
25 / 50	2311194	1.0" / 2.0"	2311205	25 / 50	2311216
40 / 40	2311195	1.5" / 1.5"	2311206		
40 / 50	2311196	1.5" / 2.0"	2311207		
40 / 65	2311197	1.5" / 2.5"	2311208		
50 / 50	2311198	2.0" / 2.0"	2311209	40 / 40	2311217
50 / 65	2311199	2.0" / 2.5"	2311210	40 / 50	2311218
50 / 80	2311200	2.0" / 3.0"	2311211	40 / 65	2311219
65 / 65	2311201	2.5" / 2.5"	2311212	50 / 50	2311220
65 / 80	2311202	2.5" / 3.0"	2311213	50 / 65	2311221



Asept. Straight-Way Valve with Diaphragm (P³) and PEEK-Disc
Select A 374 D-PEEK pneumatic air to open-spring to close

METRIC	ID-NO.	OD-TUBE	ID-NO.	ISO	ID-NO.
25 / 25	2311222	1.0" / 1.0"	2311233	25 / 25	2311244
25 / 40	2311223	1.0" / 1.5"	2311234	25 / 40	2311245
25 / 50	2311224	1.0" / 2.0"	2311235	25 / 50	2311246
40 / 40	2311225	1.5" / 1.5"	2311236		
40 / 50	2311226	1.5" / 2.0"	2311237		
40 / 65	2311227	1.5" / 2.5"	2311238		
50 / 50	2311228	2.0" / 2.0"	2311239	40 / 40	2311247
50 / 65	2311229	2.0" / 2.5"	2311240	40 / 50	2311248
50 / 80	2311230	2.0" / 3.0"	2311241	40 / 65	2311249
65 / 65	2311231	2.5" / 2.5"	2311242	50 / 50	2311250
65 / 80	2311232	2.5" / 3.0"	2311243	50 / 65	2311251

Prices for working mode air to close-spring to open as well as air to open-air to close comply with the Prices of working mode air to open-spring to close. ID-No. on request.

SVP SELECT ASEPTIC ANGULAR SEAT VALVE

SVP SELECT ASEPTIC BOTTOM SEAT VALVE

Asept. Angular Seat Valve with Diaphragm (P³) and PEEK-Disc Select A 280 D-PEEK manual



METRIC	ID-NO.	OD-TUBE	ID-NO.	ISO	ID-NO.
25	2304286	1.0"	2310507	25	2310516
40	2304287	1.5"	2310508		
50	2310501	2.0"	2310509	40	2310517
65	2310502	2.5"	2310510	50	2310518
80	2310503	3.0"	2310511	65	2310519
100	2310504	4.0"	2310512	80	2310520

Asept. Bottom Seat Valve with Diaphragm (P³) and PEEK-Disk / 30° Outlet Select A 286 D-PEEK manual



METRIC	ID-NO.	OD-TUBE	ID-NO.	ISO	ID-NO.
25	2310524	1.0"	2310532	25	2310541
40	2310525	1.5"	2310533		
50	2310526	2.0"	2310534	40	2310542
65	2310527	2.5"	2310535	50	2310543
80	2310528	3.0"	2310536	65	2310544
100	2310529	4.0"	2310537	80	2310545

Asept. Bottom Seat Valve with Diaphragm (P³) and PEEK-Disk / 30° Outlet Select A 288 D-PEEK Bevelled wheel drive



METRIC	ID-NO.	OD-TUBE	ID-NO.	ISO	ID-NO.
25	2310549	1.0"	2310557	25	2310566
40	2310550	1.5"	2310558		
50	2310551	2.0"	2310559	40	2310567
65	2310552	2.5"	2310560	50	2310568
80	2310553	3.0"	2310561	65	2310569
100	2310554	4.0"	2310562	80	2310570



SVP SELECT ASEPTIC ANGULAR SEAT VALVE

SVP SELECT ASEPTIC BOTTOM SEAT VALVE



Asept. Angular Seat Valve with Diaphragm (P³) and PEEK-Disc
Select A 380 D-PEEK pneumatic air to open-spring to close

METRIC	ID-NO.	OD-TUBE	ID-NO.	ISO	ID-NO.
25	2310573	1.0"	2310581	25	2310590
40	2310574	1.5"	2310582		
50	2310575	2.0"	2310583	40	2310591
65	2310576	2.5"	2310584	50	2310592
80	2310577	3.0"	2310585	65	2310593
100	2310578	4.0"	2310586	80	2310594

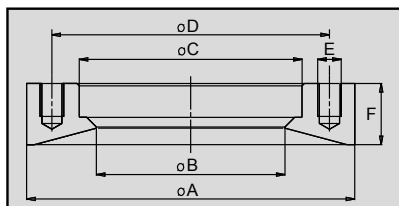


Asept. Bottom Seat Valve with Diaphragm (P³) and PEEK-Disk / 30° Outlet
Select A 386 D-PEEK pneumatic air to open-spring to close

METRIC	ID-NO.	OD-TUBE	ID-NO.	ISO	ID-NO.
25	2310598	1.0"	2310606	25	2310615
40	2310599	1.5"	2310607		
50	2310600	2.0"	2310608	40	2310616
65	2310601	2.5"	2310609	50	2310617
80	2310602	3.0"	2310610	65	2310618
100	2310603	4.0"	2310611	80	2310619

Prices for working mode air to close-spring to open as well as air to open-air to close comply with the Prices of working mode air to open-spring to close. ID-No. on request.

Please order separately:
 Weld-In Flange for Bottom Seat Valves
Z 2000/Select B 1.4404 (AISI 316L) APZ 3.1



N.b.: Weld-In Flange Z 2000/Select B complies with valve range SVP Model 2000, but is not compatible to the valve range SVP Model 1990!

SIZES/NENNWEITEN	ØA	ØB	ØC	ØD	E	F	ID-NO.
DN 25/1.0"/ISO 25	129.5	66.1	79.75	105	4 x M10	26	2123264
DN 40/1.5"	129.5	66.1	79.75	105	4 x M10	26	2123264
DN 50/2.0"/ISO40	139.5	80.1	94.75	118	4 x M10	26	2123266
DN 65/2.5"/ISO 50	169.5	98.1	114.75	143	4 x M12	30	2123268
DN 80/3.0"/ISO 65	179.5	114.5	129.80	156	4 x M12	35	2123270
DN 100/4.0"/ISO 80	209.5	140.5	159.80	185	4 x M12	37	2123297



SÜDMO

ASEPTIC SVP M2000 SINGLE SEAT VALVES WITH PTFE-BELLOW

CONTENTS

- 1.6.2 GENERAL INFORMATION AND TECHNICAL SPECIFICATION
- 1.6.4 DIMENSIONS AND TECHNICAL DRAWINGS
- 1.6.10 ID NUMBERS

SÜDMO SVP M2000

ASEPTIC SINGLE SEAT VALVES WITH PTFE-BELLOW

VALVE TECHNOLOGY FOR EVERY APPLICATION AREA

Due to the many years of experience in design and construction of valves for the food, beverage, pharmaceutical, chemical and cosmetic industry, we have managed to develop a comprehensive and variable standard valve programme SVP M2000.

Manufactured from a solid bloc Pentair Südmo valves continue to be characterized by their perfect surfaces, long service life and resistance against aggressive media. They are used wherever hygienically perfect conditions are required or the

sterile properties of the processes area of highest importance. The aseptic execution guarantees a perfect separation of the outside atmosphere from the valve insides by means of supported PTFE-bellows, pretensioned permanently.



SÜDMO SVP M2000

ASEPTIC SINGLE SEAT VALVES WITH PTFE-BELLOW

TECHNICAL SPECIFICATION	
Materials	Product wetted parts 1.4404 (AISI 316 L)
	Optional 1.4435 (AISI 316 L) Other materials on request
	Parts not product wetted 1.4301 (AISI 304), 1.4307 (AISI 304 L)
Sealing Elements	Sealing materials (FDA) TFM-1705 Other sealing materials on request
Temperatures	Continuous operating temperature TFM-1705 120°C/245°F *
	Sterilization temperature TFM-1705 135°C/275°F * (ca. 20 min.)
Pressures	Operating pressure 6 bar (87 psi) Higher pressures on request
	Control pressure Min. 6 bar (87 psi) - max. 8 bar (116 psi)
	Optional Booster: in case of insufficient control air pressure
Surfaces	Product wetted surfaces Ra ≤ 0,8 µm
	Surfaces not product wetted Bright-turned, Ra 1,6 µm
	Optional Product wetted surfaces e-polished, higher quality surfaces on request
Connections	Standard Welding ends for pipes acc. to DIN 11850 series 2 (DIN 11866 series A), OD-tube (ASTM A270, DIN 11866 series C, ASME BPE-2009) and DIN EN ISO 1127 (DIN 11866 Series B)
	Optional Other tube diameters on request

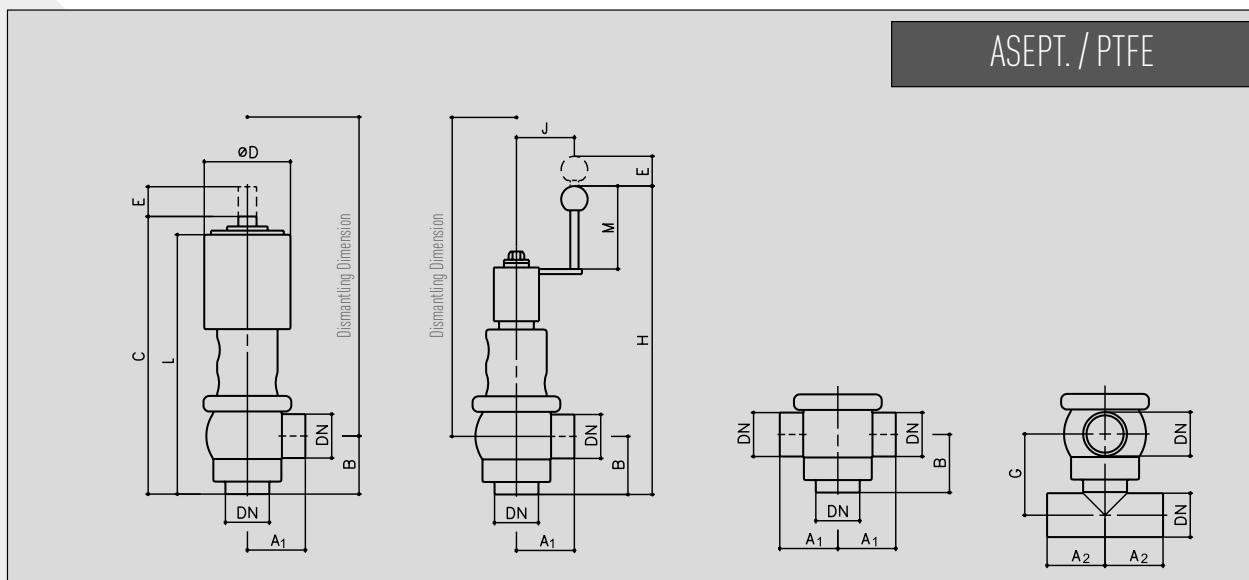
* Depending on operating parameters

SVP M2000 ASEPTIC RIGHT ANGLE VALVE

SVP M2000 ASEPTIC DOUBLE RIGHT ANGLE VALVE

SVP M2000 ASEPTIC CROSS VALVE

1.6



Right Angle Valve

Double Right Angle Valve

Cross Valve

manual	M2000 A 270 T	M2000 A 271 T	M2000 A 272 T
pneumatic	M2000 A 370 T	M2000 A 371 T	M2000 A 372 T

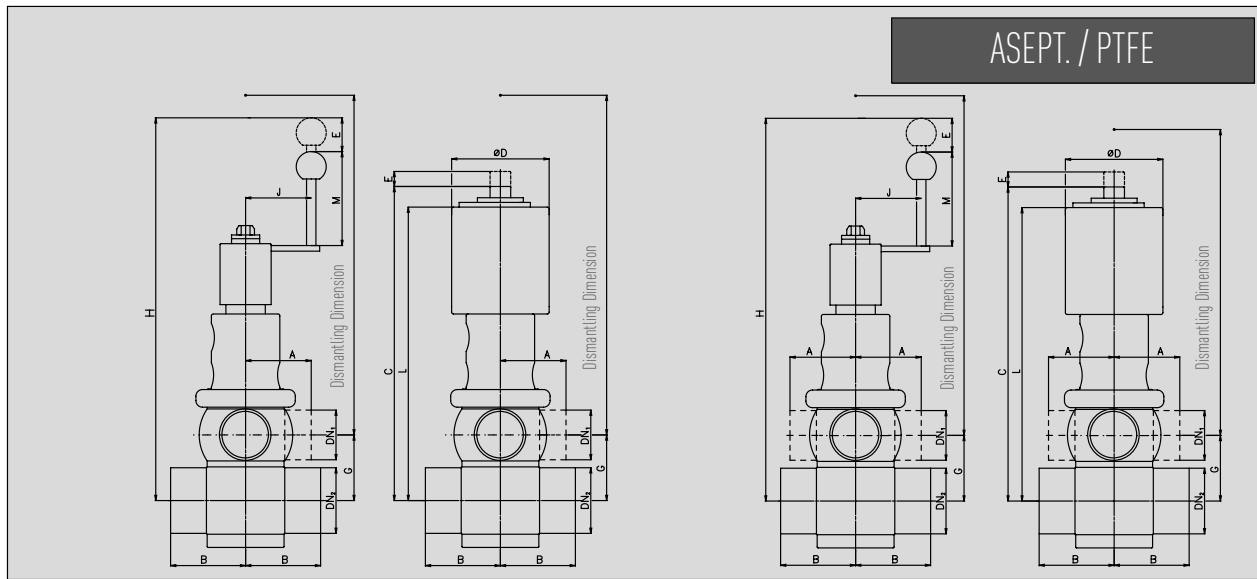
METRIC		A1	A2	B	C	ØD	E	F	G	H	J	K	L	M	kg
DN	Tube														
10	Ø13 x 1.5	45	35	45	214	64.5	4.5	215	52.5	201	33	205	199		
15	Ø19 x 1.5	45	35	45	214	64.5	4.5	215	55.5	201	33	205	199		
20	Ø23 x 1.5	45	40	45	214	64.5	4.5	215	57.5	201	33	205	199		
25	Ø29 x 1.5	80	48	60	322	104	7	330	75.5	368	70	375	293	100	
40	Ø41 x 1.5	80	58	60	321	104	11	340	82.5	367	70	385	297	100	
50	Ø53 x 1.5	100	78	70	335	104	16	355	99.5	397	70	400	313	100	
65	Ø70 x 2.0	100	100	80	455	154	22	480	119.5	423	100	450	424	100	
80	Ø85 x 2.0	120	125	90	470	154	24	500	137	439	100	470	441	100	
100	¹⁾ Ø104 x 2.0	150	150	100	483	154	31	520	157.5	451	100	490	461	100	

ISO		A1	A2	B	C	ØD	E	F	G	H	J	K	L	M	kg
DN	Tube														
8	Ø13.5 x 1.6	45	32	45	214	64.5	4.5	215	52.2	201	33	205	199		
10	Ø17.2 x 1.6	45	34	45	214	64.5	4.5	215	54.6	201	33	205	199		
15	Ø21.3 x 1.6	45	36	45	214	64.5	4.5	215	56.7	201	33	205	199		
25	Ø33.7 x 2.0	80	58	60	322	104	7	330	77.9	368	70	375	293	100	
40	Ø48.3 x 2.0	100	63	60	335	104	16	355	96.2	397	70	400	313	100	
50	Ø60.3 x 2.0	100	88	70	455	154	22	480	113.2	423	100	450	424	100	
65	Ø76.1 x 2.0	120	108	80	470	154	24	500	132.6	439	100	470	441	100	
80	¹⁾ Ø88.9 x 2.3	150	128	90	483	154	31	520	149	451	100	490	461	100	

¹⁾ Pneumatic valves spring to open-air to close (6 bar control pressure) standard with booster size II (dismantling dimensions already considered)



SVP M2000 ASEPTIC SAMPLING VALVE
SVP M2000 ASEPTIC STRAIGHT-WAY VALVE



Sampling Valve
3 x welding ends

Straight Way Valve
4 x welding ends

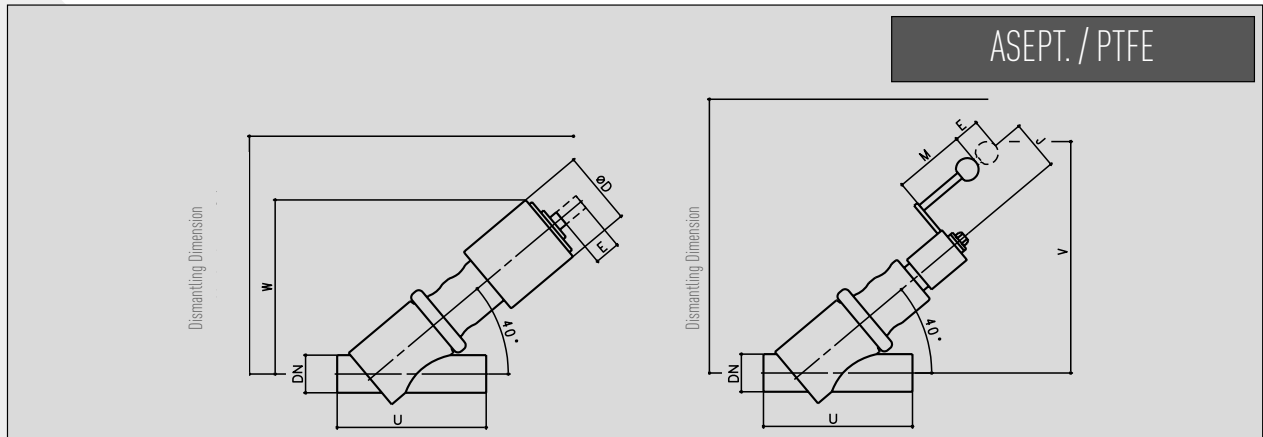
manual	M2000 A 273 T	M2000 A 274 T
pneumatic	M2000 A 373 T	M2000 A 374 T

METRIC															
DN	Tube DN1	Tube DN2	A	B	C	ØD	E	F	G	H	J	K	L	M	kg
25 / 25	Ø29 x 1.5	Ø29 x 1.5	80	80	301	104	7	330	41	347	70	375	272	100	
25 / 40	Ø29 x 1.5	Ø41 x 1.5	80	80	308	104	7	330	48	354	70	375	279	100	
25 / 50	Ø29 x 1.5	Ø53 x 1.5	80	100	314	104	7	330	54	360	70	375	285	100	
40 / 40	Ø41 x 1.5	Ø41 x 1.5	80	80	311	104	11	340	50	357	70	385	287	100	
40 / 50	Ø41 x 1.5	Ø53 x 1.5	80	100	317	104	11	340	56	363	70	385	293	100	
40 / 65	Ø41 x 1.5	Ø70 x 2.0	80	100	325	104	11	340	64	371	70	385	301	100	
50 / 50	Ø53 x 1.5	Ø53 x 1.5	100	100	327	104	16	355	62	389	70	400	305	100	
50 / 65	Ø53 x 1.5	Ø70 x 2.0	100	100	335	104	16	355	70	397	70	400	313	100	
50 / 80	Ø53 x 1.5	Ø85 x 2.0	100	120	343	104	16	355	78	405	70	400	321	100	
65 / 65	Ø70 x 2.0	Ø70 x 2.0	100	100	455	154	22	480	80	423	100	450	424	100	
65 / 80	Ø70 x 2.0	Ø85 x 2.0	100	120	462.5	154	22	480	87.5	430.5	100	450	431.5	100	

ISO															
DN	Tube DN1	Tube DN2	A	B	C	ØD	E	F	G	H	J	K	L	M	kg
25 / 25	Ø33.7 x 2.0	Ø33.7 x 2.0	80	80	303	104	7	330	41	349	70	375	274	100	
25 / 40	Ø33.7 x 2.0	Ø48.3 x 2.0	80	100	310	104	7	330	48	356	70	375	281	100	
25 / 50	Ø33.7 x 2.0	Ø60.3 x 2.0	80	100	316	104	7	330	54	362	70	375	287	100	
40 / 40	Ø48.3 x 2.0	Ø48.3 x 2.0	100	100	322	104	13	355	60	384	70	400	300	100	
40 / 50	Ø48.3 x 2.0	Ø60.3 x 2.0	100	100	327	104	13	355	65	389	70	400	305	100	
40 / 65	Ø48.3 x 2.0	Ø76.1 x 2.0	100	120	335	104	13	355	73	397	70	400	313	100	
50 / 50	Ø60.3 x 2.0	Ø60.3 x 2.0	100	100	446	154	17	480	76	414	100	450	415	100	
50 / 65	Ø60.3 x 2.0	Ø76.1 x 2.0	100	120	454	154	17	480	84	422	100	450	423	100	
50 / 80	Ø60.3 x 2.0	Ø88.9 x 2.3	100	150	460	154	17	480	90	428	100	450	429	100	

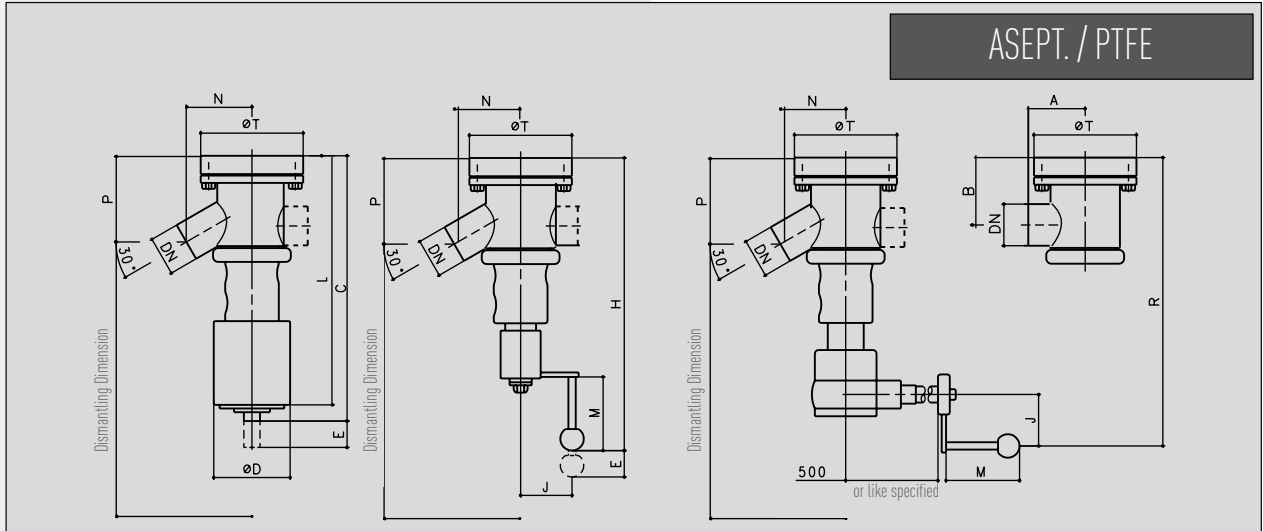
SVP M2000 ASEPTIC ANGULAR SEAT VALVE
 SVP M2000 ASEPTIC BOTTOM SEAT VALVE

1.6



Angular Seat Valve

manual	M2000 A 280 T
pneumatic	M2000 A 380 T



Bottom Seat Valve 90°

Bottom Seat Valve 30°

manual	M2000 A 285 T	M2000 A 286 T
pneumatic	M2000 A 385 T	M2000 A 386 T
Bevelled wheel drive	M2000 A 387 T	M2000 A 388 T

METRIC		A	B	C	ØD	E	F	H	J	K	L	M	N	P	R	S	ØT	U	V	W	X	Y	
DN	Tube																						
10	²⁾ Ø13 x 1.5	50	50.5	211	64.5	10	280	198	78	265	200	50	50	64	226	285	88	145	141	152	190	180	
15	²⁾ Ø19 x 1.5	50	47.5	211	64.5	10	280	198	78	265	200	50	50	61	226	285	88	145	138	149	190	180	
20	Ø23 x 1.5	50	45.5	211	64.5	10	280	198	78	265	200	50	50	58.5	226	285	88	145	136	147	190	180	
25	Ø29 x 1.5	70	79	328	104	20	365	374	70	410	310	100	70	94	367	395	129.5	160	305	231	295	370	
40	Ø41 x 1.5	70	90	345	104	20	385	391	70	435	327	100	80	110.5	381	420	129.5	185	313	239	315	390	
50	Ø53 x 1.5	80	95.5	352	104	25	400	398	70	445	339	100	90	116	392	430	139.5	210	319	244	325	400	
65	Ø70 x 2.0	90	112.5	480	154	30	535	448	100	505	457	100	100	132	438	480	169.5	250	376	338	435	470	
80	Ø85 x 2.0	100	133	498	154	40	565	466	100	530	485	100	110	153	496	540	179.5	300	392	353	460	500	
100	¹⁾ Ø104 x 2.0	120	161	535	154	40	605	503	100	575	522	100	140	188	534	580	209.5	330	412	374	500	540	

¹⁾ Pneumatic valves spring to open-air to close (6 bar control pressure) standard with booster size II (dismantling dimensions already considered)

²⁾ Angular Seat Valve housing of the following series: Metric (DN 10/15) and ISO (DN 8-15/40-80) eccentrically bottom plain reduced



SVP M2000 ASEPTIC ANGULAR SEAT VALVE

SVP M2000 ASEPTIC BOTTOM SEAT VALVE

ISO																						
DN	Tube	A	B	C	ØD	E	F	H	J	K	L	M	N	P	R	S	ØT	U	V	W	X	Y
8	Ø13.5 x 1.6	50	50.5	211	64.5		280	198	78	265	200	50	50	64.0	226	285	88	145	141	152	190	180
10	Ø17.2 x 1.6	50	48.5	211	64.5		280	198	78	265	200	50	50	62.0	226	285	88	145	139	150	190	180
15	Ø21.3 x 1.6	50	46.5	211	64.5		280	198	78	265	200	50	50	59.5	226	285	88	105	137	148	190	180
25	Ø33.7 x 2.0	70	77	328	104	20	365	374	70	410	310	100	70	92.5	367	395	129.5	160	303	229	295	370
40 ²⁾	Ø48.3 x 2.0	80	98.5	352	104	25	400	398	70	445	339	100	90	119.5	392	430	139.5	260	322	247	325	400
50 ²⁾	Ø60.3 x 2.0	90	117.5	480	154	30	535	448	100	505	457	100	100	137.5	438	480	169.5	310	381	343	435	470
65 ²⁾	Ø76.1 x 2.0	100	137.5	498	154	40	565	466	100	530	485	100	110	158	496	540	179.5	360	396	357	460	500
80 ¹⁾²⁾	Ø88.9 x 2.3	120	161	535	154	40	605	503	100	575	522	100	140	197	534	580	209.5	410	420	382	500	540

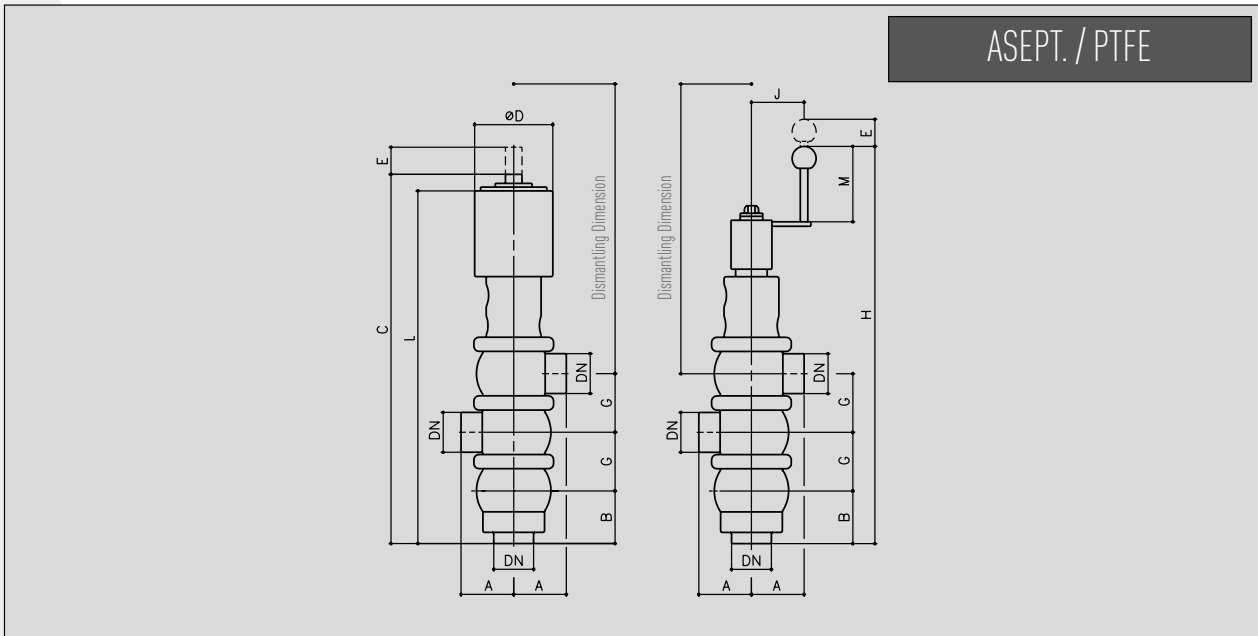
¹⁾ Pneumatic valves spring to open-air to close (6 bar control pressure) standard with booster size II (dismantling dimensions already considered)

²⁾ Angular Seat Valve housing of the following series: Metric (DN 10/15) and ISO (DN 8-15/40-80) eccentrically bottom plain reduced

SVP M2000 ASEPTISCHES UMSTELLVENTIL GETEILTES GEHÄUSE

1.6

ASEPT. / PTFE



Change Over Valve 3 x welding ends

manual	M2000 A 294 T
pneumatic	M2000 A 394 T

METRIC		A	B	C	ØD	E	F	G	H	J	K	L	kg
DN 10	Tube Ø13 X 1.5	45	55	250	64.5	5	250	27	240	33	240	236	
15	Ø19 X 1.5	45	55	250	64.5	5	250	27	240	33	240	236	
20	Ø23 X 1.5	45	55	250	64.5	5	250	27	240	33	240	236	
25	Ø29 X 1.5	80	60	437	104	7	330	58	484	70	375	409	
40	Ø41 X 1.5	80	60	453	104	11	340	66	499	70	385	429	
50	Ø53 X 1.5	100	70	488	104	16	355	78	553	70	400	469	
65	Ø70 X 2.0	100	80	640	154	22	480	94	611	100	450	612	
80	Ø85 X 2.0	120	90	686	154	24	500	109	657	100	470	660	
100	¹⁾ Ø104 X 2.0	150	100	736	154	31	520	128	707	100	490	717	

ISO		A	B	C	ØD	E	F	G	H	J	K	L	kg
DN 8	Tube Ø13.5 X 1.6	45	55	250	64.5	5	250	27	240	33	240	236	
10	Ø17.2 X 1.6	45	55	250	64.5	5	250	27	240	33	240	236	
15	Ø21.3 X 1.6	45	55	250	64.5	5	250	27	240	33	240	236	
25	Ø33.7 X 2.0	80	60	437	104	7	330	58	484	70	375	409	
40	Ø48.3 X 2.0	100	70	488	104	16	355	78	553	70	400	469	
50	Ø60.3 X 2.0	100	80	640	154	22	480	94	611	100	450	612	
65	Ø76.1 X 2.0	120	90	686	154	24	500	109	657	100	470	660	
80	¹⁾ Ø88.9 X 2.3	150	100	736	154	31	520	128	707	100	490	717	

¹⁾ Pneumatic valves spring to open-air to close (6 bar control pressure) standard with booster size II (dismantling dimensions already considered)



SVP M2000 ASEPTIC RIGHT ANGLE VALVE

SVP M2000 ASEPTIC DOUBLE RIGHT ANGLE VALVE

SVP M2000 ASEPTIC CROSS VALVE

Asept. Right Angle Valve with PTFE-Bellow

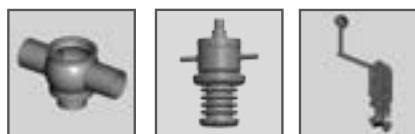
M2000 A 270 T manual



METRIC	ID-NO.	ISO	ID-NO.
10	2010405	8	2010423
15	2300277	10	2010424
20	2300278	15	2010425
25	2128787	25	2128944
40	2128861		
50	2128862	40	2128945
65	2128863	50	2128946
80	2128864	65	2128947
100	2128865	80	2128948

Asept. Double Right Angle Valve with PTFE-Bellow

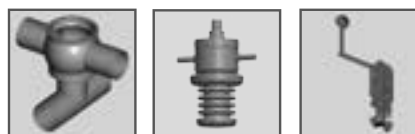
M2000 A 271 T manual



METRIC	ID-NO.	ISO	ID-NO.
10	2010431	8	2010450
15	2010436	10	2010451
20	2010441	15	2010465
25	2129044	25	2129096
40	2129085		
50	2129086	40	2129097
65	2129087	50	2129098
80	2129088	65	2129099
100	2129089	80	2129100

Asept. Cross Valve with PTFE-Bellow

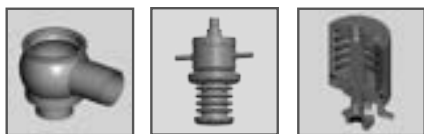
M2000 A 272 T manual



METRIC	ID-NO.	ISO	ID-NO.
10	2010509	8	2010550
15	2010519	10	2010553
20	2010523	15	2010555
25	2129120	25	2129150
40	2129139		
50	2129140	40	2129151
65	2129141	50	2129152
80	2129142	65	2129153
100	2129143	80	2129154

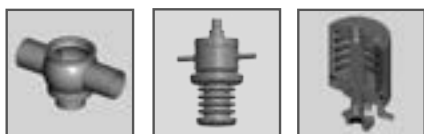


SVP M2000 ASEPTIC RIGHT ANGLE VALVE
 SVP M2000 ASEPTIC DOUBLE RIGHT ANGLE VALVE
 SVP M2000 ASEPTIC CROSS VALVE



Asept. Right Angle Valve with PTFE-Bellow
M2000 A 370 T pneumatic air to open-spring to close

METRIC	ID-NO.	ISO	ID-NO.
10	2006913	8	2010428
15	2300275	10	2010429
20	2300276	15	2010430
25	2128785	25	2128938
40	2128873		
50	2128874	40	2128939
65	2128875	50	2128940
80	2128876	65	2128941
100	2128877	80	2128942



Asept. Double Right Angle Valve with PTFE-Bellow
M2000 A 371 T pneumatic air to open-spring to close

METRIC	ID-NO.	ISO	ID-NO.
10	2010466	8	2010484
15	2010474	10	2010506
20	2010476	15	2010507
25	2128798	25	2128956
40	2128837		
50	2128838	40	2128957
65	2128839	50	2128958
80	2128840	65	2128959
100	2128841	80	2128960



Asept. Cross Valve with PTFE-Bellow
M2000 A 372 T pneumatic air to open-spring to close

METRIC	ID-NO.	ISO	ID-NO.
10	2010621	8	2010666
15	2010604	10	2010678
20	2010622	15	2010681
25	2129123	25	2129186
40	2129175		
50	2129176	40	2129187
65	2129177	50	2129188
80	2129178	65	2129189
100	2129179	80	2129190

Prices for working mode air to close-spring to open as well as air to open-air to close comply with the prices of working mode air to open-spring to close. ID-No. on request.

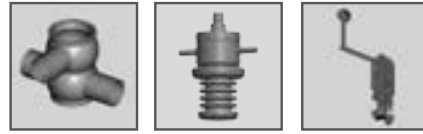
SVP M2000 ASEPTIC SAMPLING VALVE

SVP M2000 ASEPTIC STRAIGHT-WAY VALVE

1.6

Asept. Sampling Valve with PTFE-Bellow

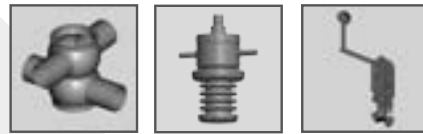
M2000 A 273 T manual



METRIC	ID-NO.	ISO	ID-NO.
25 / 25	2129812	25 / 25	2112752
25 / 40	2129828	25 / 40	2112753
25 / 50	2129829	25 / 50	2112754
40 / 40	2129826		
40 / 50	2129831		
40 / 65	2129832		
50 / 50	2129827	40 / 40	2112755
50 / 65	2129834	40 / 50	2112756
50 / 80	2129835	40 / 65	2112757
65 / 65	2112734	50 / 50	2112758
65 / 80	2112735	50 / 65	2112759

Asept. Straight-Way Valve with PTFE-Bellow

M2000 A 274 T manual

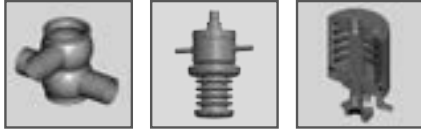


METRIC	ID-NO.	ISO	ID-NO.
25 / 25	2112786	25 / 25	2112810
25 / 40	2112787	25 / 40	2112811
25 / 50	2112788	25 / 50	2112812
40 / 40	2112789		
40 / 50	2112790		
40 / 65	2112791		
50 / 50	2112792	40 / 40	2112813
50 / 65	2112793	40 / 50	2112814
50 / 80	2112794	40 / 65	2112815
65 / 65	2112795	50 / 50	2112816
65 / 80	2112796	50 / 65	2112817



SVP M2000 ASEPTIC SAMPLING VALVE

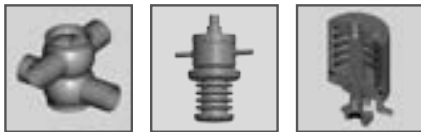
SVP M2000 ASEPTIC STRAIGHT-WAY VALVE



Asept. Sampling Valve with PTFE-Bellow

M2000 A 373 T pneumatic air to open-spring to close

METRIC	ID-NO.	ISO	ID-NO.
25 / 25	2129813	25 / 25	2112775
25 / 40	2129838	25 / 40	2112776
25 / 50	2129839	25 / 50	2112777
40 / 40	2129836		
40 / 50	2129841		
40 / 65	2129842		
50 / 50	2129837	40 / 40	2112778
50 / 65	2129844	40 / 50	2112779
50 / 80	2129845	40 / 65	2112780
65 / 65	2112737	50 / 50	2112781
65 / 80	2112738	50 / 65	2112782



Asept. Straight-Way Valve with PTFE-Bellow

M2000 A 374 T pneumatic air to open-spring to close

METRIC	ID-NO.	ISO	ID-NO.
25 / 25	2112821	25 / 25	2112844
25 / 40	2112822	25 / 40	2112845
25 / 50	2112823	25 / 50	2112846
40 / 40	2112824		
40 / 50	2112825		
40 / 65	2112826		
50 / 50	2024855	40 / 40	2112847
50 / 65	2112827	40 / 50	2112848
50 / 80	2112828	40 / 65	2112849
65 / 65	2112829	50 / 50	2112850
65 / 80	2112830	50 / 65	2112851

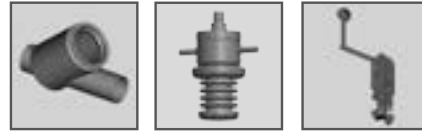
Prices for working mode air to close-spring to open as well as air to open-air to close comply with the prices of working mode air to open-spring to close. ID-No. on request.

SVP M2000 ASEPTIC ANGULAR SEAT VALVE

SVP M2000 ASEPTIC BOTTOM SEAT VALVE

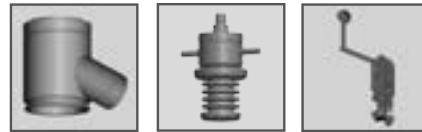
1.6

Asept. Angular Seat Valve with PTFE-Bellow M2000 A 280 T manual



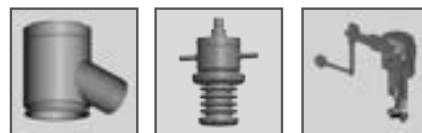
METRIC	ID-NO.	ISO	ID-NO.
10	2010932	8	2010953
15	2010936	10	2010955
20	2010940	15	2010958
25	2129124	25	2129522
40	2129511		
50	2129512	40	2129523
65	2129513	50	2129524
80	2129514	65	2129525
100	2129515	80	2129526

Asept. Bottom Seat Valve with PTFE-Bellow / 30° Outlet M2000 A 286 T manual



METRIC	ID-NO.	ISO	ID-NO.
10	2011356	8	2011372
15	2011358	10	2011377
20	2011367	15	2011381
25	2129125	25	2129540
40	2129529		
50	2129530	40	2129541
65	2129531	50	2129542
80	2129532	65	2129543
100	2129533	80	2129544

Asept. Bottom Seat Valve with PTFE-Bellow / 30° Outlet M2000 A 288 T Bevelled wheel drive

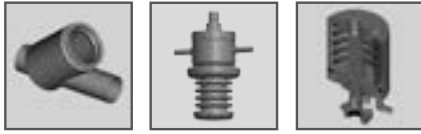


METRIC	ID-NO.	ISO	ID-NO.
10	2011460	8	2011491
15	2011472	10	2011492
20	2011473	15	2011493
25	2129132	25	2129666
40	2129655		
50	2129656	40	2129667
65	2129657	50	2129668
80	2129658	65	2129669
100	2129659	80	2129670



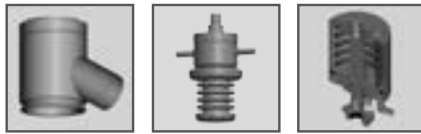
SVP M2000 ASEPTIC ANGULAR SEAT VALVE

SVP M2000 ASEPTIC BOTTOM SEAT VALVE



Asept. Angular Seat Valve with PTFE-Bellow M2000 A 380 T pneumatic air to open-spring to close

METRIC	ID-NO.	ISO	ID-NO.
10	2010962	8	2011012
15	2010964	10	2011014
20	2340449	15	2011015
25	2129131	25	2129648
40	2129637		
50	2129638	40	2129649
65	2129639	50	2129650
80	2129640	65	2129651
100	2129641	80	2129652



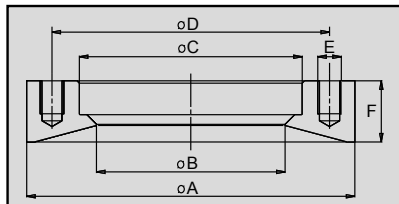
Asept. Bottom Seat Valve with PTFE-Bellow / 30° Outlet M2000 A 386 T pneumatic air to open-spring to close

METRIC	ID-NO.	ISO	ID-NO.
10	2011390	8	2011453
15	2011430	10	2011454
20	2011435	15	2011455
25	2129130	25	2129630
40	2129619		
50	2129620	40	2129631
65	2129621	50	2129632
80	2129622	65	2129633
100	2129623	80	2129634

Prices and ID-No. for Bottom Seat Valves with 90° outlet on request.

Prices for working mode air to close-spring to open as well as air to open-air to close comply with the prices of working mode air to open-spring to close. ID-No. on request.

Please order separately: Weld-In Flange for Bottom Seat Valves Z 2000/Select B 1.4404 (AISI 316L) APZ 3.1



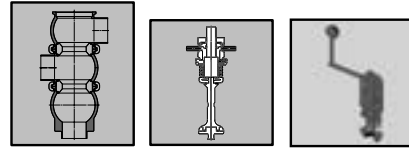
N.b.: Weld-In Flange Z 2000/Select B complies with valve range SVP Model 2000, but is not compatible to the valve range SVP Model 1990!

SIZES/NENNWEITEN	ØA	ØB	ØC	ØD	E	F	ID-NO.
DN 10/ISO 8	88	38	50.25	70	4 x M8	17	2130026
DN 15/0.5"/ISO 10	88	38	50.25	70	4 x M8	17	2130026
DN 20/0.75"/ISO 15	88	38	50.25	70	4 x M8	17	2130026
DN 25/1.0"/ISO 25	129.5	66.1	79.75	105	4 x M10	26	2123264
DN 40/1.5"	129.5	66.1	79.75	105	4 x M10	26	2123264
DN 50/2.0"/ISO40	139.5	80.1	94.75	118	4 x M10	26	2123266
DN 65/2.5"/ISO 50	169.5	98.1	114.75	143	4 x M12	30	2123268
DN 80/3.0"/ISO 65	179.5	114.5	129.80	156	4 x M12	35	2123270
DN 100/4.0"/ISO 80	209.5	140.5	159.80	185	4 x M12	37	2123297

SVP M2000 ASEPTIC CHANGE OVER VALVE SPLIT HOUSING

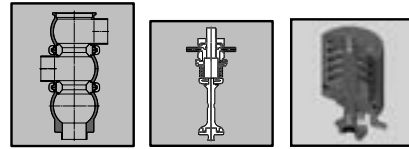
1.6

Asept. Change Over Valve with PTFE-Bellow M2000 A 294 T manual



METRIC	ID-NO.	ISO	ID-NO.
10	2907063	8	2907068
15	2907064	10	2907069
20	2907065	15	2907070
25	2129136	25	2129738
40	2129727		
50	2129728	40	2129739
65	2129729	50	2129740
80	2129730	65	2129741
100	2129731	80	2129742

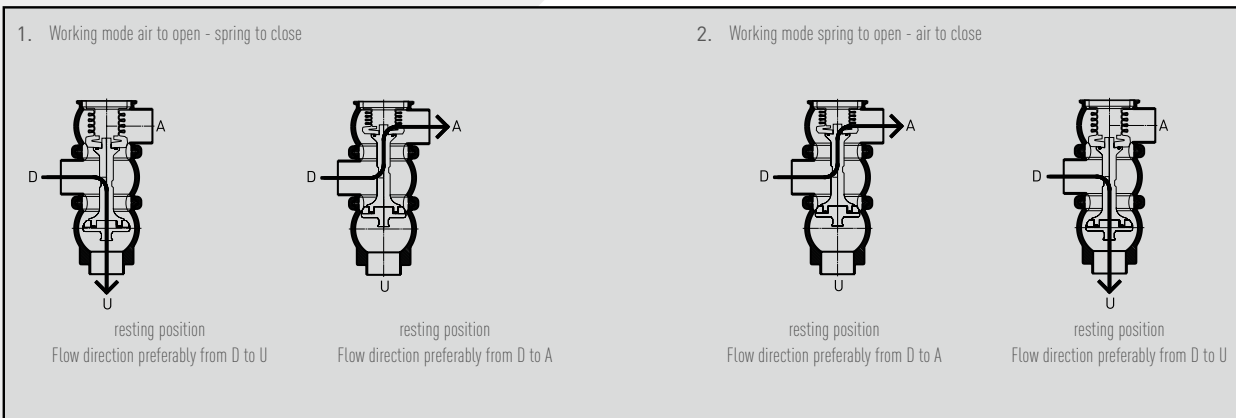
Asept. Change Over Valve with PTFE-Bellow M2000 A 394 T pneumatic air to open-spring to close



METRIC	ID-NO.	ISO	ID-NO.
10	2907071	8	2907076
15	2907072	10	2907077
20	2907073	15	2907078
25	2129137	25	2129756
40	2129745		
50	2129746	40	2129757
65	2129747	50	2129758
80	2129748	65	2129759
100	2129749	80	2129760

Prices for working mode air to close-spring to open as well as air to open-air to close comply with the prices of working mode air to open-spring to close. ID-No. on request.

Flow Directions Change Over Valve, Split Housing



SÜDMO

ACCESSORIES FOR SVP SELECT AND SVP M2000 SINGLE SEAT VALVES

CONTENTS

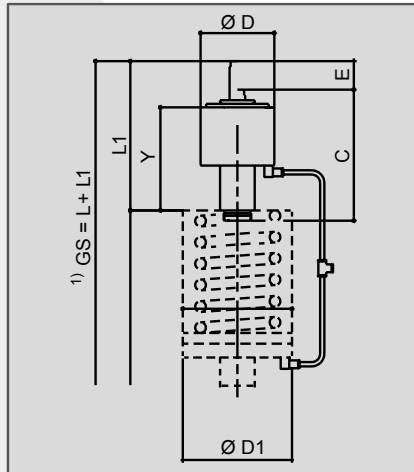
1.7.2 PNEUMATIC BOOSTER

1.7.3 PNEUMATIC 3-POSITION ACTUATOR

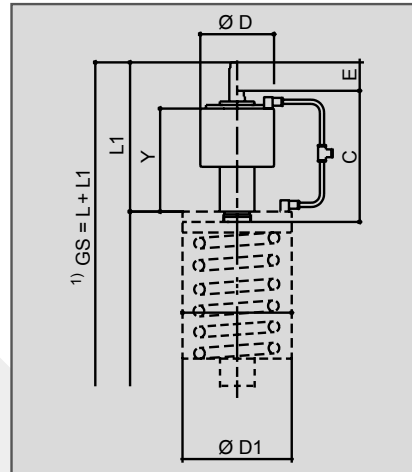
Pneumatic Booster Select Z 370 B

As accessory where control air pressure is too low
(Not possible with longstroke version)

air to open / spring to close



spring to open / air to close



SIZES	BOOSTER	ØD	ØD1	C	L1	Y	MIN. CONTROL AIR PRESSURE	MAX. OPERATING PRESSURE	E
DN 10/ISO 8	0	64.5	64.5	100	102	75	3.0 bar	bei/at 6.0 bar	Stroke E depending on type and size
DN 15/0.5"/ISO 10	0	64.5	64.5	100	102	75	3.0 bar	bei/at 6.0 bar	
DN 20/0.75"/ISO 15	0	64.5	64.5	100	102	75	3.0 bar	bei/at 6.0 bar	
DN 25/1.0"/ISO 25	I	104	104	169	195	130	3.0 bar	bei/at 6.0 bar	
DN 40/1.5"	I	104	104	169	195	130	3.0 bar	bei/at 6.0 bar	
DN 50/2.0"/ISO 40	I	104	104	169	195	130	3.0 bar	bei/at 6.0 bar	
DN 65/2.5"/ISO 50	II	104	154	184	210	145	3.5 bar	bei/at 6.0 bar	
DN 80/3.0"/ISO 65	II	104	154	184	210	145	3.5 bar	bei/at 6.0 bar	
DN 100/4.0"/ISO 80	III	154	154	194	220	155	3.0 bar	bei/at 5.0 bar	
DN 125/ISO 100	²⁾ II XL	104	204	187	220	134	5.0 bar	bei/at 6.0 bar	
DN 125/ISO 100	IV XL	204	204	187	220	134	4.0 bar	bei/at 5.0 bar	
DN 150/6.0"/ISO 125	²⁾ II XL	104	204	187	220	134	5.0 bar	bei/at 6.0 bar	
DN 150/6.0"/ISO 125	IV XL	204	204	187	220	134	4.0 bar	bei/at 5.0 bar	

¹⁾ The total structural height GS of a valve with booster is calculated from the respective dimension L (basic valve type) + L1 (booster)
²⁾ Pneumatic change over valves in sizes DN125, 150 / 6" / ISO 100, 125 with booster II XL as standard. control air pressure in this case min. 6 bar.

Booster Select Z 370 B

SIZES	BOOSTER	ID-NO.
DN 10/ISO 8	0	a.A/o.r.
DN 15/0.5"/ISO 10	0	a.A/o.r.
DN 20/0.75"/ISO 15	0	a.A/o.r.
DN 25/1.0"/ISO 25	I	2158394
DN 40/1.5"	I	2158394
DN 50/2.0"/ISO 40	I	2158394
DN 65/2.5"/ISO 50	II	2154327
DN 80/3.0"/ISO 65	II	2154327
DN 100/4.0"/ISO 80	III	2158397
DN 125/ISO 100	II XL	2131030
DN 125/ISO 100	IV XL	2131479
DN 150/6.0"/ISO 125	II XL	2131030
DN 150/6.0"/ISO 125	IV XL	2131479

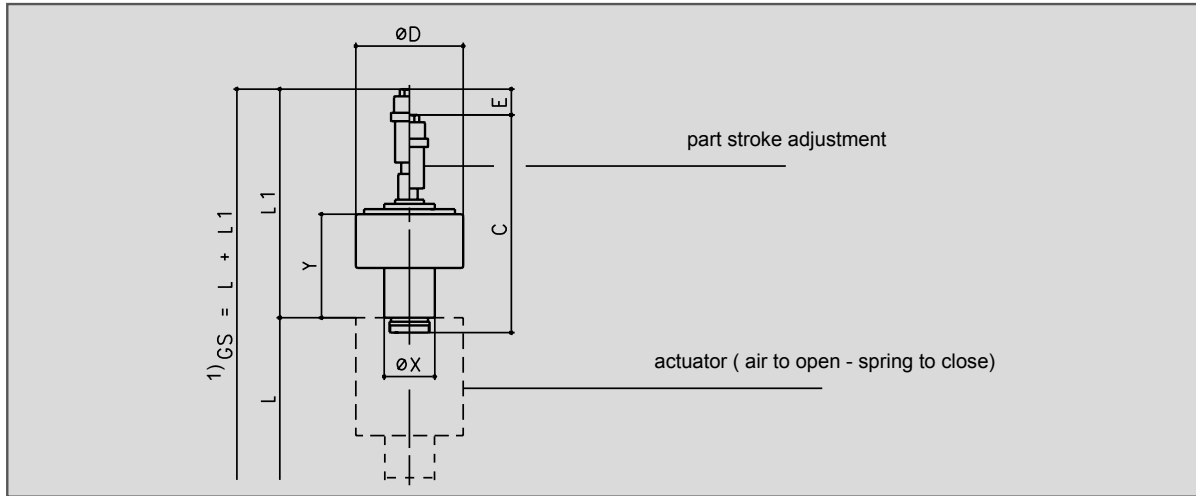
Set of Seals for Select Z 370 B

SIZES	BOOSTER	ID-NO.
DN 10/ISO 8	0	a.A/o.r.
DN 15/0.5"/ISO 10	0	a.A/o.r.
DN 20/0.75"/ISO 15	0	a.A/o.r.
DN 25/1.0"/ISO 25	I	2159351
DN 40/1.5"	I	2159351
DN 50/2.0"/ISO 40	I	2159351
DN 65/2.5"/ISO 50	II	2159351
DN 80/3.0"/ISO 65	II	2159351
DN 100/4.0"/ISO 80	III	2159351
DN 125/ISO 100	II XL	2301875
DN 125/ISO 100	IV XL	2301875
DN 150/6.0"/ISO 125	II XL	2301875
DN 150/6.0"/ISO 125	IV XL	2301875



**Pneumatic 3-Position Actuator
Select Z 370 S**

As accessory for an intermediate stroke
(Not possible with longstroke version)



SIZES	C	ØD	L1	ØX	Y	PARTSTROKE	E
DN 10/ISO 8	140	64.5	140	34	65	0 - 6 mm	Stroke E depending on type and size
DN 15/0.5"/ISO 10	140	64.5	140	34	65	0 - 6 mm	
DN 20/0.75"/ISO 15	140	64.5	140	34	65	0 - 6 mm	
DN 25/1.0"/ISO 25	236	104	223	49	100	0 - 15 mm	
DN 40/1.5"	236	104	223	49	100	0 - 15 mm	
DN 50/2.0"/ISO 40	236	104	223	49	100	0 - 15 mm	
DN 65/2.5"/ISO 50	274	154	261	49	123	0 - 15 mm	
DN 80/3.0"/ISO 65	274	154	261	49	123	0 - 15 mm	
DN 100/4.0"/ISO 80 ²⁾	274	154	261	49	123	0 - 15 mm	
DN 125/ISO 100	325	204	355	64	200	0 - 25 mm	
DN 150/6.0"/ISO 125	325	204	355	64	200	0 - 25 mm	

¹⁾ The total structural height GS of a valve with 3-position actuator is calculated from the respective dimension L (basic valve type) + L1 (3-position actuator)

²⁾ Control air pressure: min. 6 bar - max. 8 bar

The 3-position actuator can only be fitted to pneumatic valves and/or booster with air to open - spring to close action of series SVP Select.

3-Position Actuator Select Z 370 S

SIZES	ID-NO.
DN 10/ISO 8	2162494
DN 15/0.5"/ISO 10	2162494
DN 20/0.75"/ISO 15	2162494
DN 25/1.0"	2158388
DN 40/1.5"/ISO 25	2158388
DN 50/2.0"/ISO 40	2158388
DN 65/2.5"/ISO 50	2158391
DN 80/3.0"/ISO 65	2158391
DN 100/4.0"/ISO 80	2158391
DN 125/ISO 100	2301876
DN 150/6.0"/ISO 125	2301876

Set of Seals for 3-Position Actuator Select Z 370 S

SIZES	ID-NO.
DN 10/ISO 8	2315324
DN 15/0.5"/ISO 10	2315324
DN 20/0.75"/ISO 15	2315324
DN 25/1.0"	2307623
DN 40/1.5"/ISO 25	2307623
DN 50/2.0"/ISO 40	2307623
DN 65/2.5"/ISO 50	2307623
DN 80/3.0"/ISO 65	2307623
DN 100/4.0"/ISO 80	2307623
DN 125/ISO 100	2301877
DN 150/6.0"/ISO 125	2301877



SÜDMO

SPARE PARTS

FOR SVP SELECT SINGLE SEAT VALVES

CONTENTS

1.8.2 SETS OF SEALS

1.8.7 CLAMPS

OVERVIEW

HELP

CONTACT

LEGAL NOTICE

SPARE PARTS

Sets of Seals for Hygienic SVP Valves with Profile Seal / O-Ring

Product Side

For valves Select S 270-288 / S 370-386

EPDM (without diaphragm)		FKM (without diaphragm)		HNBR (without diaphragm)		P ³ -Diaphragm	
SIZES	ID-NO.	ID-NO.	ID-NO.	ID-NO.	ID-NO.	ID-NO.	ID-NO.
DN 10/ISO 8 *	2144109	2144111	2144112	2144112	2144053		
DN 15/0.5"/ISO 10 *	2144109	2144111	2144112	2144112	2144053		
DN 20/0.75"/ISO 15 *	2144109	2144111	2144112	2144112	2144053		
DN 25/1.0"/ISO 25	2132024	2143626	2156768				
DN 40/1.5"	2132025	2143627	2156741				
DN 50/2.0"/ISO 40	2132026	2143628	2156745				
DN 65/2.5"/ISO 50	2132027	2143629	2156748				
DN 80/3.0"/ISO 65	2132028	2143630	2156738				
DN 100/4.0"/ISO 80	2132029	2143631	2156739				
DN 125/ISO 100	2131352	2142714	2142716				
DN 150/6.0"/ISO 125	2131025	2142715	2142717				

For valves Select S 290-293 / S 390-393

EPDM (without diaphragm)		FKM (without diaphragm)		HNBR (without diaphragm)		P ³ -Diaphragm	
SIZES	ID-NO.	ID-NO.	ID-NO.	ID-NO.	ID-NO.	ID-NO.	ID-NO.
DN 10/ISO 8 *	2144245	2310794	2310795	2310795	2144053		
DN 15/0.5"/ISO 10 *	2144245	2310794	2310795	2310795	2144053		
DN 20/0.75"/ISO 15 *	2144245	2310794	2310795	2310795	2144053		
DN 25/1.0"/ISO 25	2154285	2143632	2143638				
DN 40/1.5"	2154287	2143633	2156764				
DN 50/2.0"/ISO 40	2154101	2143634	2156766				
DN 65/2.5"/ISO 50	2154102	2143635	2156744				
DN 80/3.0"/ISO 65	2154103	2143636	2156758				
DN 100/4.0"/ISO 80	2154104	2143637	2143639				

For valves Select S 294-297 2G / S 394-397 2G

EPDM		FKM		HNBR	
SIZES	ID-NO.	ID-NO.	ID-NO.	ID-NO.	ID-NO.
DN 25/1.0"/ISO 25	2156811	2145394	2145398		
DN 40/1.5"	2143619	2158901	2158366		
DN 50/2.0"/ISO 40	2156718	2158903	2145399		
DN 65/2.5"/ISO 50	2156719	2158906	2145400		
DN 80/3.0"/ISO 65	2156720	2158907	2145401		
DN 100/4.0"/ISO 80	2158364	2145395	2145402		
DN 125/ISO 100	2114032	2145396	2145403		
DN 150/6.0"/ISO 125	2131041	2145397	2145404		

Actuator Side

NBR	
SIZES	ID-NO.
DN 10-20/0.5"-0.75"/ISO 8-15	2146871
DN 25-100/1.0"-4.0"/ISO 25-80	2132039
DN 125-150/6.0"/ISO 100-125	2301874



Sets of Seals for Aseptic SVP Valves with Diaphragm (P³) and O-Ring

Product Side

For valves Select A 270-288 D-E / A 370-386 D-E

EPDM (without diaphragm)		FKM (without diaphragm)		HNBR (without diaphragm)		P ³ -Diaphragm	
SIZES	ID-NO.	ID-NO.	ID-NO.	ID-NO.	ID-NO.	ID-NO.	ID-NO.
DN 10/ISO 8	2144109	2144111	2144112	2144112	2144053		
DN 15/0.5"/ISO 10	2144109	2144111	2144112	2144112	2144053		
DN 20/0.75"/ISO 15	2144109	2144111	2144112	2144112	2144053		
DN 25/1.0"/ISO 25	2155447	2306442	2306444	2306444	2143030		
DN 40/1.5"	2155448	2306443	2306445	2306445	2143030		
DN 50/2.0"/ISO 40	2155449	2158114	2306446	2306446	2143031		
DN 65/2.5"/ISO 50	2155450	2158537	2306447	2306447	2142876		
DN 80/3.0"/ISO 65	2155451	2158347	2306448	2306448	2143032		
DN 100/4.0"/ISO 80	2155452	2158357	2306449	2306449	2143033		

For valves A 290-293 D-E / A 390-393 D-E

EPDM (without diaphragm)		FKM (without diaphragm)		HNBR (without diaphragm)		P ³ -Diaphragm	
SIZES	ID-NO.	ID-NO.	ID-NO.	ID-NO.	ID-NO.	ID-NO.	ID-NO.
DN 10/ISO 8	2144245	2310794	2310795	2310795	2144053		
DN 15/0.5"/ISO 10	2144245	2310794	2310795	2310795	2144053		
DN 20/0.75"/ISO 15	2144245	2310794	2310795	2310795	2144053		
DN 25/1.0"/ISO 25	2344510	2306450	2306455	2306455	2143030		
DN 40/1.5"	2344511	2306451	2306456	2306456	2143031		
DN 50/2.0"/ISO 40	2344512	2306452	2306457	2306457	2142876		
DN 65/2.5"/ISO 50	2344513	2306453	2158514	2158514	2143032		
DN 80/3.0"/ISO 65	2344514	2306454	2306459	2306459	2143033		

Actuator Side

NBR	
SIZES	ID-NO.
DN 10-20/0.5"-0.75"/ISO 8-15	2146871
DN 25-100/1.0"-4.0"/ISO 25-80	2132039

Sets of Seals for Aseptic SVP Valves with Diaphragm (P³) and PEEK-Ring

Product Side

For valves Select A 270-288 D-PR / A 370-386 D-PR

EPDM (without diaphragm)		P ³ -Diaphragm
SIZES	ID-NO.	ID-NO.
DN 25/1.0"/ISO 25	2155453	2143030
DN 40/1.5"	2155453	2143030
DN 50/2.0"/ISO 40	2155455	2143031
DN 65/2.5"/ISO 50	2155456	2142876
DN 80/3.0"/ISO 65	2155457	2143032
DN 100/4.0"/ISO 80	2155458	2143033

For valves A 290-293 D-PR / A 390-393 D-PR

EPDM (without diaphragm)		P ³ -Diaphragm
SIZES	ID-NO.	ID-NO.
DN 25/1.0"/ISO 25	o.r.	2143030
DN 40/1.5"	o.r.	2143031
DN 50/2.0"/ISO 40	2155851	2142876
DN 65/2.5"/ISO 50	2155850	2143032
DN 80/3.0"/ISO 65	2161225	2143033

PEEK-Ring

PEEK	
SIZES	ID-NO.
DN 25/1.0"/ISO 25	2154224
DN 40/1.5"	2152511
DN 50/2.0"/ISO 40	2141955
DN 65/2.5"/ISO 50	2152479
DN 80/3.0"/ISO 65	2152480
DN 100/4.0"/ISO 80	2154217

Actuator Side

NBR	
SIZES	ID-NO.
DN 25-100/1.0"-4.0"/ISO 25-80	2132039



Sets of Seals for Aseptic SVP Valves with Diaphragm (P³) and PEEK-Disc

Product Side

For valves Select A 270-288 D-PEEK
A 370-386 D-PEEK

EPDM (without diaphragm)		P ³ -Diaphragm
SIZES	ID-NO.	ID-NO.
DN 25/1.0"/ISO 25	2155453	2143030
DN 40/1.5"	2155453	2143030
DN 50/2.0"/ISO 40	2155455	2143031
DN 65/2.5"/ISO 50	2155456	2142876
DN 80/3.0"/ISO 65	2155457	2143032
DN 100/4.0"/ISO 80	2155458	2143033

PEEK-Disc

For valves Select A 270-274 D-PEEK / A 370-374 D-PEEK

PEEK		PEEK		PEEK	
SIZES	ID-NO.	SIZES	ID-NO.	SIZES	ID-NO.
DN 25	2144774	1.0"	2144780	ISO 25	2144775
DN 40	2144775	1.5"	2144781		
DN 50	2144776	2.0"	2144782	ISO 40	2144776
DN 65	2144777	2.5"	2144783	ISO 50	2144777
DN 80	2144778	3.0"	2144784	ISO 65	2144778
DN 100	2144779	4.0"	2144785	ISO 80	2144779

PEEK-Disc / PEEK-Teller

For valves Select A 280-288 D-PEEK / A 380-386 D-PEEK

PEEK		PEEK		PEEK	
SIZES	ID-NO.	SIZES	ID-NO.	SIZES	ID-NO.
DN 25	2145348	1.0"	2145348	ISO 25	2145349
DN 40	2145349	1.5"	2145349		
DN 50	2145350	2.0"	2145350	ISO 40	2145350
DN 65	2145351	2.5"	2145351	ISO 50	2145351
DN 80	2145352	3.0"	2145352	ISO 65	2145352
DN 100	2145353	4.0"	2145353	ISO 80	2145353

Actuator Side

NBR	
SIZES	ID-NO.
DN 25-100/1.0"-4.0"/ISO 25-80	2132039

Sets of Seals for SVP Select Long Stroke Valves

Product Side

For valves Select S 370-386 E LS

		EPDM	FKM	HNBR
SIZES	ID-NO.	ID-NO.	ID-NO.	ID-NO.
DN 25/1.0"	2132024	2143626	2156768	
DN 40/1.5"	2132025	2143627	2156741	
DN 50/2.0"	2132026	2143628	2156745	
DN 65/2.5"	2132027	2143629	2156748	
DN 80/3.0"	2132028	2143630	2156738	
DN 100/4.0"	2132029	2143631	2156739	

For valves Select S 390-393 E LS

		EPDM	FKM	HNBR
SIZES	ID-NO.	ID-NO.	ID-NO.	ID-NO.
DN 25/1.0"	2154285	2143632	2143638	
DN 40/1.5"	2154287	2143633	2156764	
DN 50/2.0"	2154101	2143634	2156766	
DN 65/2.5"	2154102	2143635	2156744	
DN 80/3.0"	2154103	2143636	2156758	
DN 100/4.0"	2154104	2143637	2143639	

Actuator Side

		NBR
SIZES	ID-NO.	
DN 25-100/1.0"-4.0"/ISO 25-80	2132039	



Clamp for Connection of Valve Housings / Lanterns

For Valves Select S 270-393 / S 370-393 / A 270-288 D / A 370-386 D

SIZES	CLAMP SIZE/KLEMMENGRÖSSE	ID-NO.
DN 10/ISO 8	1.5"	0034421
DN 15/0.5"/ISO 10	1.5"	0034421
DN 20/0.75"/ISO 15	1.5"	0034421
DN 25/1.0"/ISO 25	2.5"	0034447
DN 40/1.5"	2.5"	0034447
DN 50/2.0"/ISO 40	3.0"	0034587
DN 65/2.5"/ISO 50	3.5"	0036590
DN 80/3.0"/ISO 65	4.0"	0034595
DN 100/4.0"/ISO 80	5.0"	2125807
DN 125/ISO 100	6.625"	2111992
DN 150/6.0"/ISO 125	8.0"	2130160

Clamp for Connection of Valve Housings / Lanterns

For Valves Select A 290-293 D / A 390-393 D

SIZES	CLAMP SIZE/KLEMMENGRÖSSE	ID-NO.
DN 10/ISO 8	1.5"	0034421
DN 15/0.5"/ISO 10	1.5"	0034421
DN 20/0.75"/ISO 15	1.5"	0034421
DN 25/1.0"/ISO 25	2.5"	0034447
DN 40/1.5"	3.0"	0034587
DN 50/2.0"/ISO 40	3.5"	0036590
DN 65/2.5"/ISO 50	4.0"	0034595
DN 80/3.0"/ISO 65	5.0"	2125807

Clamp for Connection of Valve Housings / Lanterns

For Longstroke Valves Select

SIZES	CLAMP SIZE/KLEMMENGRÖSSE	ID-NO.
DN 25/1.0"	2.5"	0034447
DN 40/1.5"	2.5"	0034447
DN 50/2.0"	3.0"	0034587
DN 65/2.5"	3.5"	0036590
DN 80/3.0"	4.0"	0034595
DN 100/4.0"	5.0"	2125807



SÜDMO

SPARE PARTS

FOR SVP M2000 SINGLE SEAT VALVES

CONTENTS

1.9.2 SETS OF SEALS

1.9.6 CLAMPS

Sets of Seals for Aseptic SVP M2000 Valves with PTFE-Bellow

Product Side

For Valves M2000 A 270-279 T / A 370-379 T

PTFE-Bellow		EPDM*
SIZES	ID-NO.	ID-NO.
DN 10/ISO 8	2129415	2127179
DN 15/0.5"/ISO 10	2129415	2127179
DN 20/0.75"/ISO 15	2129415	2127179
DN 25/1.0"/ISO 25	2128321	2129306
DN 40/1.5"	2128349	2129306
DN 50/2.0"/ISO 40	2128350	2128756
DN 65/2.5"/ISO 50	2128351	2129292
DN 80/3.0"/ISO 65	2128352	2129297
DN 100/4.0"/ISO 80	2128353	2123708

For Valves M2000 A 280-289 T / A 380-389 T

PTFE-Bellow		EPDM*
SIZES	ID-NO.	ID-NO.
DN 10/ISO 8	2129417	2127179
DN 15/0.5"/ISO 10	2129417	2127179
DN 20/0.75"/ISO 15	2129417	2127179
DN 25/1.0"/ISO 25	2128322	2129306
DN 40/1.5"	2128354	2129306
DN 50/2.0"/ISO 40	2128355	2128756
DN 65/2.5"/ISO 50	2128356	2129292
DN 80/3.0"/ISO 65	2128357	2129297
DN 100/4.0"/ISO 80	2128358	2123708

For Valves M2000 A 294-299 T / A 394-399 T

PTFE-Bellow		EPDM*
SIZES	ID-NO.	ID-NO.
DN 10/ISO 8	2130543	2130542
DN 15/0.5"/ISO 10	2130543	2130542
DN 20/0.75"/ISO 15	2130543	2130542
DN 25/1.0"/ISO 25	2128709	2127006
DN 40/1.5"	2128710	2130113
DN 50/2.0"/ISO 40	2128711	2124123
DN 65/2.5"/ISO 50	2128712	2130733
DN 80/3.0"/ISO 65	2128713	2126918
DN 100/4.0"/ISO 80	2128714	2124096

Actuator Side

NBR	
SIZES	ID-NO.
DN 10-20/0.5"-0.75"/ISO 8-15	2112118
DN 25-100/1.0"-4.0"/ISO 25-80	2129340

* Set of Seals without PTFE-bellow



Sets of Seals for Hygienic SVP M2000 Valves with Profile Seal / O-Ring

Product Side

For Valves M2000 S 270-289 / S 370-389

EPDM		FKM		HNBR	
SIZES	ID-NO.	ID-NO.	ID-NO.	ID-NO.	ID-NO.
DN 10/ISO 8	2127167	o.r.		2113337	
DN 15/0.5"/ISO 10	2127167	o.r.		2113337	
DN 20/0.75"/ISO 15	2127167	o.r.		2113337	
DN 25/1.0"/ISO 25	2128679	2124270		2129316	
DN 40/1.5"	2128685	2024613		2129205	
DN 50/2.0"/ISO 40	2128686	2124271		2129206	
DN 65/2.5"/ISO 50	2128687	2124272		2123617	
DN 80/3.0"/ISO 65	2128688	2111136		2129207	
DN 100/4.0"/ISO 80	2128689	2111155		2129208	
DN 125/ISO 100	2131352	2142714		2142716	
DN 150/6.0"/ISO 125	2131025	2142715		2142717	

For Valves M2000 S 290-293 / S 390-393

EPDM		FKM		HNBR	
SIZES	ID-NO.	ID-NO.	ID-NO.	ID-NO.	ID-NO.
DN 10/ISO 8	2130545	o.r.		2142718	
DN 15/0.5"/ISO 10	2130545	o.r.		2142718	
DN 20/0.75"/ISO 15	2130545	o.r.		2142718	
DN 25/1.0"/ISO 25	2126418	2341734		2123623	
DN 40/1.5"	2123534	2341530		2123625	
DN 50/2.0"/ISO 40	2128753	2130999		2123627	
DN 65/2.5"/ISO 50	2129273	2131299		2123629	
DN 80/3.0"/ISO 65	2123535	2300362		2123630	
DN 100/4.0"/ISO 80	2126431	2341767		2131525	

For Valves M2000 S 294-299 / S 394-399

EPDM		FKM		HNBR	
SIZES	ID-NO.	ID-NO.	ID-NO.	ID-NO.	ID-NO.
DN 25/1.0"/ISO 25	2129398	2142721		2142728	
DN 40/1.5"	2142719	2142722		2142729	
DN 50/2.0"/ISO 40	2140824	2142723		2142730	
DN 65/2.5"/ISO 50	2150636	2142724		2130285	
DN 80/3.0"/ISO 65	2151492	2142725		2142731	
DN 100/4.0"/ISO 80	2142720	2142726		2142732	
DN 125/ISO 100	2301872	2142727		2142733	
DN 150/6.0"/ISO 125	2301873	2142816		2142817	

Actuator Side

NBR

SIZES	ID-NO.
DN 10-20/0.5"-0.75"/ISO 8-15	2112118
DN 25-100/1.0"-4.0"/ISO 25-80	2129340
DN125-150/6.0"/ISO 100-125	2301874

SVP M2000 SPARE PARTS

Sets of Seals for Aseptic SVP M2000 Valves with Metal-Bellow

Product Side

For Valves M2000 A 270-279 M / A 370-379 M

Metal-Bellow		EPDM*	FKM*	HNBR*
SIZES	ID-NO.	ID-NO.	ID-NO.	ID-NO.
DN 10/ISO 8	2129418	2127181	2152021	2142734
DN 15/0.5"/ISO 10	2129418	2127181	2152021	2142734
DN 20/0.75"/ISO 15	2129418	2127181	2152021	2142734
DN 25/1.0"/ISO 25	2128319	2129489	2151976	2124405
DN 40/1.5"	2128339	2129405	2141487	2124406
DN 50/2.0"/ISO 40	2128340	2126509	2124134	2124408
DN 65/2.5"/ISO 50	2128341	2129429	2142735	2124410
DN 80/3.0"/ISO 65	2128342	2129431	2130467	2124412
DN 100/4.0"/ISO 80	2128343	2124416	2151978	2124417

For Valves M2000 A 280-289 M / A 380-389 M

Metal-Bellow		EPDM*	FKM*	HNBR*
SIZES	ID-NO.	ID-NO.	ID-NO.	ID-NO.
DN 10/ISO 8	2129420	2127181	2152021	2142734
DN 15/0.5"/ISO 10	2129420	2127181	2152021	2142734
DN 20/0.75"/ISO 15	2129420	2127181	2152021	2142734
DN 25/1.0"/ISO 25	2128320	2129489	2151976	2124405
DN 40/1.5"	2128344	2129405	2141487	2124406
DN 50/2.0"/ISO 40	2128345	2126509	2124134	2124408
DN 65/2.5"/ISO 50	2128346	2129429	2142735	2124410
DN 80/3.0"/ISO 65	2128347	2129431	2130467	2124412
DN 100/4.0"/ISO 80	2128348	2124416	2151978	2124417

For Valves M2000 A 294-299 M / A 394-399 M

Metal-Bellow		EPDM*	FKM*	HNBR*
SIZES	ID-NO.	ID-NO.	ID-NO.	ID-NO.
DN 10/ISO 8	2130522	2130540	2152046	2142736
DN 15/0.5"/ISO 10	2130522	2130540	2152046	2142736
DN 20/0.75"/ISO 15	2130522	2130540	2152046	2142736
DN 25/1.0"/ISO 25	2128446	2127107	2142737	2142743
DN 40/1.5"	2128447	2130128	2142738	2142745
DN 50/2.0"/ISO 40	2128448	2127645	2142739	2127419
DN 65/2.5"/ISO 50	2128449	2124457	2142740	2127417
DN 80/3.0"/ISO 65	2128450	2341283	2142741	2142746
DN 100/4.0"/ISO 80	2128451	2341284	2142742	2142747

Actuator Side

NBR	
SIZES	ID-NO.
DN 10-20/0.5"-0.75"/ISO 8-15	2112118
DN 25-100/1.0"-4.0"/ISO 25-80	2129340

* Set of Seals without metal-bellow



Sets of Seals for Hygienic SVP M2000 Valves with Steam Barrier

Product Side

For Valves M2000 S 270-289 DS / S 370-389 DS

EPDM		FKM		HNBR	
SIZES	ID-NO.	ID-NO.	ID-NO.	ID-NO.	ID-NO.
DN 10/ISO 8	2142765	o.r.		2142772	
DN 15/0.5"/ISO 10	2142765	o.r.		2142772	
DN 20/0.75"/ISO 15	2142765	o.r.		2142772	
DN 25/1.0"/ISO 25	2140564	2341684		2341678	
DN 40/1.5"	2130195	2341685		2341679	
DN 50/2.0"/ISO 40	2131190	2341686		2341680	
DN 65/2.5"/ISO 50	2131192	2341687		2341681	
DN 80/3.0"/ISO 65	2130191	2142768		2142773	
DN 100/4.0"/ISO 80	2130489	2142769		2142774	
DN 125/ISO 100	2142766	2142770		2142775	
DN 150/6.0"/ISO 125	2142767	2142771		2142776	

For Valves M2000 S 290-293 DS / S 390-393 DS

EPDM		FKM		HNBR	
SIZES	ID-NO.	ID-NO.	ID-NO.	ID-NO.	ID-NO.
DN 10/ISO 8	2142777	o.r.		2142785	
DN 15/0.5"/ISO 10	2142777	o.r.		2142785	
DN 20/0.75"/ISO 15	2142777	o.r.		2142785	
DN 25/1.0"/ISO 25	2142778	2142780		2142786	
DN 40/1.5"	2130197	2142781		2142787	
DN 50/2.0"/ISO 40	2150414	2151933		2142788	
DN 65/2.5"/ISO 50	2142779	2142782		2142789	
DN 80/3.0"/ISO 65	2111643	2142783		2142790	
DN 100/4.0"/ISO 80	2130485	2142784		2142791	

For Valves M2000 S 294-299 / S 394-399

EPDM		FKM		HNBR	
SIZES	ID-NO.	ID-NO.	ID-NO.	ID-NO.	ID-NO.
DN 25/1.0"/ISO 25	2142792	2142800		2142808	
DN 40/1.5"	2142793	2142801		2142809	
DN 50/2.0"/ISO 40	2142794	2142802		2142810	
DN 65/2.5"/ISO 50	2142795	2142803		2142811	
DN 80/3.0"/ISO 65	2142796	2142804		2142812	
DN 100/4.0"/ISO 80	2142797	2142805		2142813	
DN 125/ISO 100	2142798	2142806		2142814	
DN 150/6.0"/ISO 125	2142799	2142807		2142815	

Actuator Side

NBR	
SIZES	ID-NO.
DN 10-20/0.5"-0.75"/ISO 8-15	2112118
DN 25-100/1.0"-4.0"/ISO 25-80	2129340
DN125-150/6.0"/ISO 100-125	2301874

Clamp for Connection of Valve Housings / Lanterns

For SVP Valves M2000

SIZES	CLAMP SIZE	ID-NO.
DN 10/ISO 8	1.5"	0034421
DN 15/0.5"/ISO 10	1.5"	0034421
DN 20/0.75"/ISO 15	1.5"	0034421
DN 25/1.0"/ISO 25	2.5"	0034447
DN 40/1.5"	2.5"	0034447
DN 50/2.0"/ISO 40	3.0"	0034587
DN 65/2.5"/ISO 50	3.5"	0036590
DN 80/3.0"/ISO 65	4.0"	0034595
DN 100/4.0"/ISO 80	5.0"	2125807
DN 125/ISO 100	6.625"	2111992
DN 150/6.0"/ISO 125	8.0"	2130160



SÜDMO

DOUBLE SEAT VALVES

CONTENTS

- 2.0 GENERAL INFORMATION SÜDMO DOUBLE SEAT VALVES
- 2.1 DSV COMPLETE DOUBLE SEAT VALVES
- 2.2 AS-DSV SECURE ASEPTIC PROCESS VALVES
- 2.3 SD ECONOMIC DOUBLE SEAL VALVES
- 2.4 DOUBLE SEAT VALVES DSV 365IT COMPLETE PMO
- 2.5 SETS OF SEALS FOR DOUBLE SEAT VALVES DSV M1994
- 2.6 SETS OF SEALS FOR ASEPTIC PROCESS VALVES M2010
- 2.7 SETS OF SEALS FOR SD M2000 DOUBLE SEAL VALVES



SÜDMO

GENERAL INFORMATION SÜDMO DOUBLE SEAT VALVES

CONTENTS

2.0.4 GENERAL COMMERCIAL INFORMATION

2.0.6 GENERAL TECHNICAL SPECIFICATIONS

2.0.8 QUICKFINDER DOUBLE SEAT VALVES

2.0.12 SEAL GUIDE, TEMPERATURES AND CLEANING INFORMATION

2.0.16 PORT CONFIGURATIONS AND AIR REQUIREMENTS

2.0.17 CVS-VALUES

SÜDMO DSV COMPLETE

DOUBLE SEAT VALVES

2.0



Double seat valve DSV Complete D620 with IntelliTop 2.0 process control head

PRODUCT INFORMATION

Today's production processes demand parallel operation of product and cleaning cycles in order to optimize the economy of operation of complex plants. Pentair Südmö's mix proof DSV Complete double seat valves offer hygienic and aseptic processors the ability to establish automated multiple routings with complete confidence.

Mix proof technology ensures that all process and cleaning liquids in complex routing systems remain separated. These second generation double seat valves feature a higher level of pressure resistance and an improved service strategy while offering maximum process reliability. They are balanced to withstand pressure shocks and are easy to maintain.

DSV Complete valves are available in a number of DSV Completes, including leakage-free or low-leakage switching valves, with or without integrated seat lifts and PMO (Pasteurized Milk Ordinance) variants with steam locks as well as Bottom Seat and Ring Main Valves complete the program.

They are the ideal choice for valve manifolds and fit perfectly the IntelliTop 2.0 control top.

CUSTOMER ADVANTAGES

INNOVATIVE SEALING CONCEPT

In seat area

- Step seat with conical seal o-ring
- Radial seat with RSC seal (Radial Seal Complete)

In shaft area

- Sealing by form-fit profile seal

HIGH OPERATING PRESSURES

- Open, close and seal up to 10 bar (Depending on type and nominal width)
- High pressure pulse resistance

SAFE CLEANING

- Cycle stroke with defined ring gap
- Leakage chamber flushing via external connection
- Sterile chamber for shaft flushing / sterilization
- Shaft flushing of lower valve disc

OPTIMIZED ACTUATOR & CONTROL CONCEPT

- Durable pneumatic seals
- Main spring chambered
- All valve positions can be monitored IntelliTop 2.0 control unit

TOP QUALITY

- Body machined from solid bar stock
- High surface quality
- Reduced-friction surfaces on moving parts
- Design optimized for cleaning

SERVICE

- Simple, rapid maintenance
- No special tools needed
- Easy handling thanks to compact construction
- Low maintenance costs (Opex)



SÜDMO DSV COMPLETE

DOUBLE SEAT VALVES

2.0

SÜDMO DSV COMPLETE

DOUBLE SEAT VALVES

TECHNICAL SPECIFICATION

MATERIAL

Product wetted area

1.4404 (AISI 316L)

Area not product wetted

1.4301 (AISI 304) / 1.4307 (AISI 304L)

Optional

Higher quality materials

Seals

EPDM / HNBR / FKM

LICENCES / CERTIFICATES

EHEDG

3A Standard 85-03

PMO (Type 365it)

CRN

FDA

OPERATING TEMPERATURES

for EPDM seals

130° C (266° F) continuous

150° C (300° F) short-term
(steam sterilization)

PRESSURES

Control air pressure

Standard 6 bar (87 psi) – 8 bar (116 psi)

Operating pressure

Standard 10 bar (145 psi)

lower operating pressures apply to the following models:

D640 5 bar (72.5 psi)

D650 5 bar (72.5 psi)

D660 5 bar (72.5 psi)

SURFACES

Product wetted

Ra ≤ 0.8 µm

Not product wetted

Ra ≤ 1.6 µm

Optional

Higher quality surfaces;
e-polished

CONNECTIONS

Pipe dimensions in accordance with

- DIN 11850 Reihe 2 (DIN 11866 Reihe A)

- ASTM A270 (ASME BPE-2009 / DIN 11866 Reihe C)

- DIN EN ISO 1127 (DIN 11866 Reihe B)

MODELS	D600	D610	D620	D630	D620 S-sp	D620U	D640	D650	D660	D365it PMO
Switching with minimal product loss (low-leakage)	•	•							•	
Switching with no product loss (leak-free)			•	•	•	•	•	•		•
Leakage space cleaned during cleaning by lifting stroke function	•		•		•	•	•	•		•
Lower shaft cleaned during cleaning by lifting stroke function										•
Leakage space cleaned via external rinsing port		•		•	•					
Sterile chambers (sterilizable + rinsable) in upper and lower shaft section					•					
Axial-conical sealing O-Rings in upper and lower valve disc	•	•							•	
Axial-conical sealing O-Rings in upper valve disc and radial sealing RSC seal in lower valve disc			•	•	•	• [2x]	•	•		•
Single-piece housing	•	•	•	•	•		•	•	•	•



SÜDMO DSV COMPLETE

DOUBLE SEAT VALVES

2.0

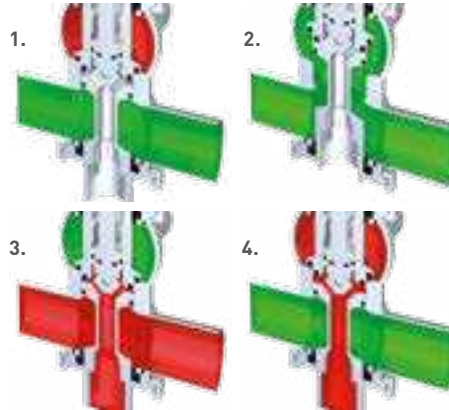
SÜDMO QUICKFINDER

DOUBLE SEAT VALVES

DSV COMPLETE D 600

- Low product loss switching (low leakage)
- Cycling of valve disc during cleaning allows cleaning of leakage chamber
- Lower valve disc conical seal (O-Ring)

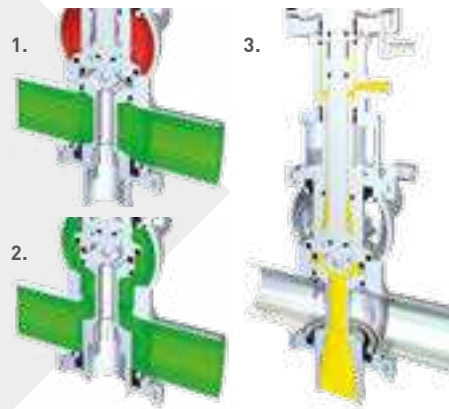
1. Valve closed
2. Valve open
3. Cyclic lift of lower valve disc
4. Cyclic lift of upper valve disc



DSV COMPLETE D 610

- Low product loss switching (low leakage)
- No cyclic lift function
- Cleaning via external flushing connection
- Lower valve disc conical seal (O-Ring)

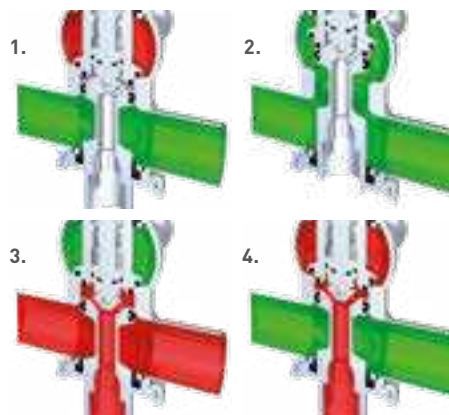
1. Valve closed
2. Valve open
3. Cleaning via flushing connection



DSV COMPLETE D 620

- Product loss free switching (leakage free)
- Cycling of valve disc during cleaning allows cleaning of leakage chamber
- Lower valve disc radial seal RSC (Radial Seal Complete)

1. Valve closed
2. Valve open
3. Cycling lower seat
4. Cycling upper seat



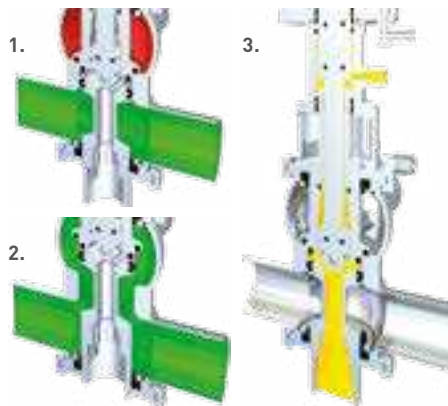
SÜDMO QUICKFINDER

DOUBLE SEAT VALVES

DSV COMPLETE D 630

- Product loss free switching (leakage free)
- No cyclic lift function
- Cleaning via external flushing connection
- Lower valve disc radial seal RSC (Radial Seal Complete)

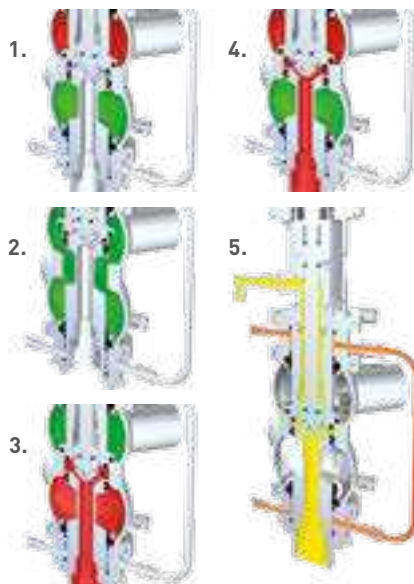
1. Valve closed
2. Valve open
3. Cleaning via flushing connection



DSV COMPLETE D 620 S-Sp (suitable for sterilising)

- Product loss free switching (leakage free)
- Cycling of valve disc during cleaning allows cleaning of leakage chamber
- Flushing chamber for flushing/sterilisation of shaft areas
- Cleaning/sterilisation via external flushing connection (Sp)
- Lower valve disc radial seal RSC (Radial Seal Complete)

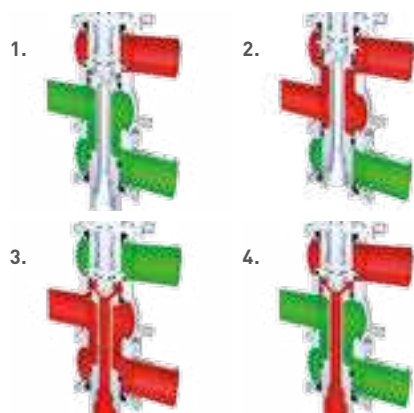
1. Valve closed
2. Valve open
3. Cyclic lift of lower valve disc
4. Cyclic lift of upper valve disc
5. Sterilisation/flushing



DSV COMPLETE D 620 U (Change Over Valve)

- Product loss free switching (leakage-free)
- Cyclic lift functions for cleaning of leakage chamber
- Switchover function
- Lower valve disc radial seal RSC (Radial Seal Complete)

1. Valve closed
2. Valve open
3. Cyclic lift of lower valve disc
4. Cyclic lift of upper valve disc



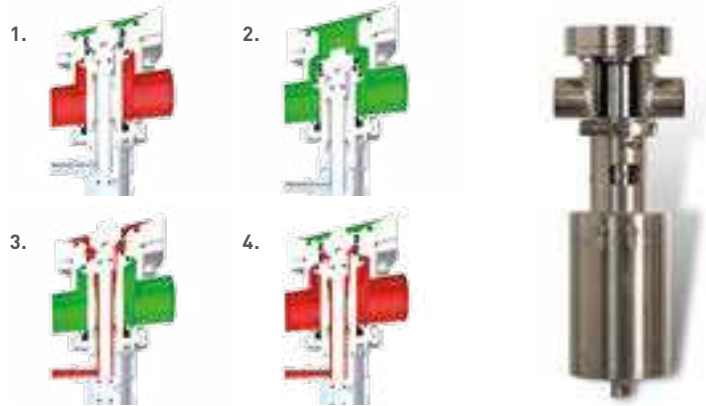
2.0

SÜDMO QUICKFINDER

DOUBLE SEAT VALVES

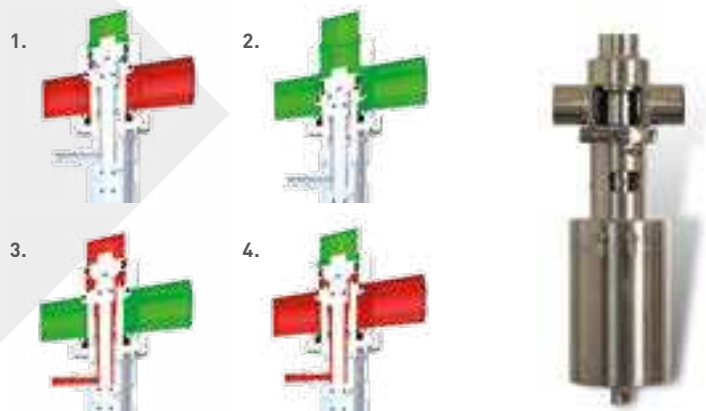
DSV COMPLETE D 640 (Bottom Seat Valve - Tank Outlet Valve)

- Product loss free switching (leakage free)
 - Cyclic lift functions for cleaning of leakage chamber
 - Lower valve disc radial seal RSC (Radial Seal Complete)
1. Valve closed
 2. Valve open
 3. Cyclic lift of lower valve disc
 4. Cyclic lift of upper valve disc



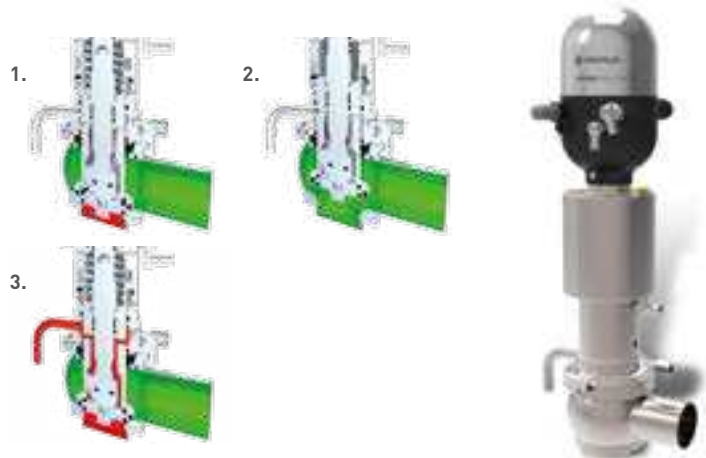
DSV COMPLETE D 650 (for ring pipes)

- Product loss free switching (leakage free)
 - Cyclic lift functions for cleaning of leakage chamber
 - Lower valve disc radial seal RSC (Radial Seal Complete)
1. Valve closed
 2. Valve open
 3. Cyclic lift of lower valve disc
 4. Cyclic lift of upper valve disc



DSV COMPLETE D 660 (for CIP-areas)

- Flushing of the leakage chamber during cyclic lift (opening/closing)
 - Lower valve disc conical seal (O-Ring)
 - Vertical mounting position (other mounting positions on request)
 - EPDM sealing
1. Valve closed
 2. Valve open
 3. Cyclic lift opening/closing of the valve -> short-time flushing effect of the leakage chamber/exit

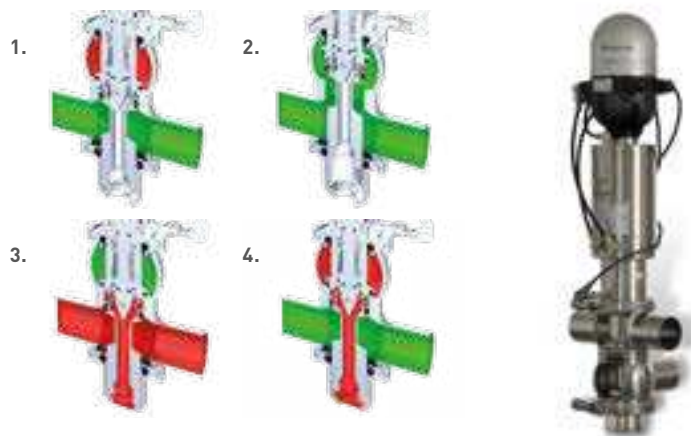


SÜDMO QUICKFINDER

DOUBLE SEAT VALVES

DSV COMPLETE D 365IT PMO

- Product loss free switching (leakage free)
 - Cyclic lift functions for cleaning of leakage chamber
 - Lower valve disc radial seal RSC (Radial Seal Complete)
 - Shaft flushing (for maximum security)
 - Three-seat valve (deflector)
 - Meets aligned requirements of PMO and 3A 85-02
1. Valve closed
 2. Valve open
 3. Cyclic lift of lower valve disc
 4. Cyclic lift of upper valve disc



DSV COMPLETE D 365IT PMO (Cheese Curd)

The large open cross section of the 365it Complete Cheese Curd Outlet PMO Mix Proof Valve provides gentle handling of the curd, and allows particles of up to approximately 1.5 inches to pass unobstructed through the valve.



DSV COMPLETE D 365IT TO PMO 640 (Bottom Valve - Tank Outlet Valve)

Special design for direct integration into the tank. The design with no dead ends allows optimum tank cleaning.



DSV COMPLETE D 365IT PMO 650 (For Ring Mains)



Double Seat Right Angle Valve design for direct integration into ring mains.



SÜDMO DSV COMPLETE

DOUBLE SEAT VALVES

GENERAL CONSISTENCY OF SEALING MATERIALS

GENERAL CONSISTENCY	EPDM	HNBR
	<ul style="list-style-type: none">+ very good hot water and steam resistancy+ very good low temperature performance+ good ozone resistancy (light resistance)+ very high elasticity+ very good mechanical properties (long lifetime)	<ul style="list-style-type: none">+ suitable for animal fat contents (e.g. milk)+ suitable for vegetable fat contents (e.g. olive oil)+ aliphatic, aromatic and chlorinated hydrocarbons (e.g. mineral oil, crude oil)
	<ul style="list-style-type: none">- vegetable and animal oils- aliphatic, aromatic and chlorinated hydrocarbons (e.g. mineral oil, crude oil)- citron juices and flavors	<ul style="list-style-type: none">- overheating steam- susceptible to certain detergents and disinfectants (nitric acid, formic acid or peracetic acid)- strongly swelling in polar solvents (acetone, methylcetone, ethylacetate, diethylether)
TYPICAL APPLICATION AREAS	<ul style="list-style-type: none">• First choice for a multitude of applications	<ul style="list-style-type: none">• Dairy• Wort



SÜDMO DSV COMPLETE

DOUBLE SEAT VALVES

FKM

- + very good chemical resistancy
- + very good heat and weather resistancy
- + suitable for low molecular weight, organic acids (e.g. formic acid and acetic acid)
- + good swelling resistancy

- non rubber-elastic material
- aliphatic, aromatic and chlorinated hydrocarbons (e.g. mineral oil, crude oil)
- critical at very cold temperatures (-20°C/-4°F)
- high heat expansion co-efficient

- Chemical processes
- Special cleaning procedures
- Processes with H₂O₂ (hydrogen peroxide)
- Soft drinks (Cola concentrate)

PLEASE NOTE

The resistance figures shown here are based on averages and are given as a guideline, in coordination with our seal suppliers. Due to variable factors, such as temperatures, mechanical forces, media concentrations, and plant-specific operating parameters, the actual seal service life may vary.

The information provided is for general orientation only and Pentair Südmö does not guarantee. Please contact us for application specific cases or complex operating conditions.

2.0

SÜDMO DSV COMPLETE

DOUBLE SEAT VALVES

PRODUCTION TEMPERATURES AND CLEANING SPECIFICATIONS

PRODUCTION PARAMETERS	EPDM	HNBR
Product		
Max. operation temperature	95°C / 203°F	95°C / 203°F
Min. operation temperature	1°C / 33.8°F	1°C / 33.8°F
Steam		
Temperature max. (continuously)	130°C (2.7 bar) / 266°F (39.1 psi)	121°C (1.9 bar) / 250°F (27.5 psi)
Temperature max. (short-time 15-20 min)	150°C (4.7 bar) / 302°F (68.1 psi)	140°C (3.6 bar) / 284°F (52.2 psi)
Caustic (caustic soda)*		
Diluted cleaning solution	< 5%	< 3%
Temperature min.	1°C / 33.8°F	1°C / 33.8°F
Temperature max.	80°C / 176°F	80°C / 176°F
Acid (Nitric/Phosphoric/Peracetic acid)*		
Diluted cleaning solution	< 3%	< 1,5%
Temperature min.	1°C / 33.8°F	1°C / 33.8°F
Temperature max.	40°C / 104°F	40°C / 104°F
Disinfection*		
Diluted disinfectant (based on peracetic acid)	< 0,7%	Not advisable for HNBR
Temperature min.	1°C / 33.8°F	Not advisable for HNBR
Temperature max.	30°C / 86°F	Not advisable for HNBR



SÜDMO DSV COMPLETE

DOUBLE SEAT VALVES

FKM

80°C / 176°F

1°C / 33.8°F

not advisable for FKM
121°C (1.9 bar) / 250°F (27.5 psi)

< 5%

1°C / 33.8°F

80°C / 176°F

< 1,5%

1°C / 33.8°F

60°C / 140°F

< 0,2%

1°C / 33.8°F

30°C / 86°F

PLEASE NOTE

The resistance figures shown here are based on experiences and are given as a guideline, in coordination with our seal suppliers. Due to variable factors, such as temperatures, mechanical forces, media concentrations, and plant-specific operating parameters, the actual seal service life may vary. The information provided is for general orientation only and Pentair Südmö does not guarantee. Please contact us for application specific cases or complex operating conditions.

* Keep contact times as short as possible.

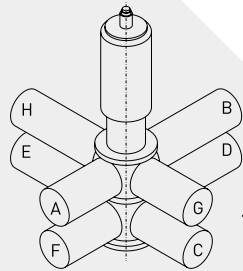
After the cleaning cycle, all product-wetted and product-related surfaces (e.g. leakage chamber in the double seat valve) must be rinsed with pure water. Long contact times with disinfection solutions in particular have to be avoided.

2.0

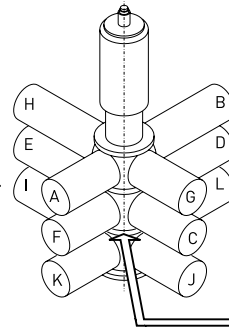
SÜDMO DSV COMPLETE

DOUBLE SEAT VALVES

POSSIBLE PORT CONFIGURATIONS



For additional ports and/or differing standard port configuration, please specify ports with letters.



Lower valve housing with clamp connection

AIR REQUIREMENTS OF THE VALVE ACTUATORS

DSV D 600 COMPLETE

SIZE	DN25	DN40	DN50	DN65	DN80	DN100
Actuator dimension in mm	ø 100	ø 100	ø 100	ø 125	ø 125	ø 125
Main-lift volume in liter	0,25 l	0,30 l	0,35 l	0,62 l	0,62 l	0,70 l
Upper-seat-lift volume in liter	0,04 l	0,04 l	0,04 l	0,06 l	0,06 l	0,06 l
Lower-seat-lift volume in liter	0,04 l	0,04 l	0,04 l	0,06 l	0,06 l	0,06 l

DSV D 610 COMPLETE

SIZE	DN25	DN40	DN50	DN65	DN80	DN100
Actuator dimension in mm	ø 100	ø 100	ø 100	ø 125	ø 125	ø 125
Volume in liter	0,30 l	0,32 l	0,37 l	0,61 l	0,61 l	0,67 l

DSV D 620 COMPLETE

SIZE	DN25	DN40	DN50	DN65	DN80	DN100	DN125	DN150
Actuator dimension in mm	ø 100	ø 100	ø 100	ø 125	ø 125	ø 125	ø 163	ø 163
Main-lift volume in liter	0,25 l	0,30 l	0,35 l	0,62 l	0,62 l	0,70 l	1,30 l	1,40 l
Upper-seat-lift volume in liter	0,04 l	0,04 l	0,04 l	0,06 l	0,06 l	0,06 l	0,10 l	0,10 l
Lower-seat-lift volume in liter	0,70 l	0,63 l	0,71 l	1,43 l	1,43 l	1,45 l	3,47 l	3,47 l

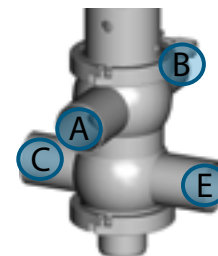
DSV D 630 COMPLETE

SIZE	DN25	DN40	DN50	DN65	DN80	DN100	DN125	DN150
Actuator dimension in mm	ø 100	ø 100	ø 100	ø 125	ø 125	ø 125	ø 163	ø 163
Volume in liter	0,30 l	0,32 l	0,37 l	0,61 l	0,61 l	0,67 l	1,17 l	1,27 l



SÜDMO DSV COMPLETE

DOUBLE SEAT VALVES



KVS/CVS-VALUES

FLOW MEASUREMENT

DOUBLE SEAT VALVES DSV COMPLETE

$$\Delta P [\text{bar}] = \left(\frac{Q [\text{m}^3/\text{h}]}{KV} \right)^2 \quad \Delta P [\text{PSI}] = \left(\frac{Q [\text{gal}/\text{min}]}{CV} \right)^2$$

DN 25/OD 1.0"

VALVE	CVS-VALUE	CVS-VALUE
Flow direction A -> C valve open	14,1	16,4
Flow direction C -> A valve open	16,2	18,8
Flow direction A -> B valve closed	24,1	28,0
Flow direction C -> E valve closed	24,5	28,4

DN 40/OD 1.5"

VALVE	CVS-VALUE	CVS-VALUE
Flow direction A -> C valve open	32,0	37,1
Flow direction C -> A valve open	32,9	38,2
Flow direction A -> B valve closed	48,8	56,6
Flow direction C -> E valve closed	53,6	62,2

DN 50/OD 2.0"

VALVE	CVS-VALUE	CVS-VALUE
Flow direction A -> C valve open	43,2	50,3
Flow direction C -> A valve open	47,1	54,8
Flow direction A -> B valve closed	80,1	93,2
Flow direction C -> E valve closed	91,2	106

DN 65/OD 2.5"

VALVE	CVS-VALUE	CVS-VALUE
Flow direction A -> C valve open	81,1	94,4
Flow direction C -> A valve open	86,2	100
Flow direction A -> B valve closed	146	170
Flow direction C -> E valve closed	177	206

DN 80/OD 3.0"

VALVE	CVS-VALUE	CVS-VALUE
Flow direction A -> C valve open	118	137
Flow direction C -> A valve open	127	148
Flow direction A -> B valve closed	217	253
Flow direction C -> E valve closed	293	341

DN 100/OD 4.0"

VALVE	CVS-VALUE	CVS-VALUE
Flow direction A -> C valve open	182	212
Flow direction C -> A valve open	193	225
Flow direction A -> B valve closed	337	392
Flow direction C -> E valve closed	435	506

DN 125

VALVE	CVS-VALUE	CVS-VALUE
Flow direction A -> C valve open	292	340
Flow direction C -> A valve open	310	361
Flow direction A -> B valve closed	586	682
Flow direction C -> E valve closed	759	883

DN 150/OD 6.0"

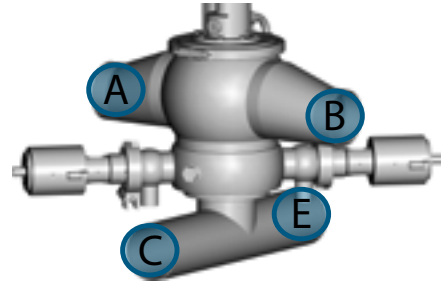
VALVE	CVS-VALUE	CVS-VALUE
Flow direction A -> C valve open	415	483
Flow direction C -> A valve open	439	511
Flow direction A -> B valve closed	818	952
Flow direction C -> E valve closed	1110	1292

SÜDMO DSV COMPLETE

DOUBLE SEAT VALVES

KVS/CVS-VALUES

FLOW MEASUREMENT



ASEPTIC-PROCESS-VALVE A800

$$\Delta P [\text{bar}] = \left(\frac{Q [\text{m}^3/\text{h}]}{KV} \right)^2 \quad \Delta P [\text{PSI}] = \left(\frac{Q [\text{gal}/\text{min}]}{CV} \right)^2$$

DN 50/OD 2.0"

VALVE	CVS-VALUE	CVS-VALUE
Flow direction A -> B valve closed	98,9	115,1
Flow direction C -> E valve closed	173,0	201,3
Flow direction A -> C valve open	56,4	65,6
Flow direction C -> A valve open	53,3	62,0

DN 80/OD 3.0"

VALVE	CVS-VALUE	CVS-VALUE
Flow direction A -> B valve closed	269,0	313,0
Flow direction C -> E valve closed	405,0	471,3
Flow direction A -> C valve open	113,0	131,5
Flow direction C -> A valve open	106,0	123,4

DN 65/OD 2.5"

VALVE	CVS-VALUE	CVS-VALUE
Flow direction A -> B valve closed	184,0	214,1
Flow direction C -> E valve closed	303,0	352,6
Flow direction A -> C valve open	80,2	93,3
Flow direction C -> A valve open	73,9	86,0

DN 100/OD 4.0"

VALVE	CVS-VALUE	CVS-VALUE
Flow direction A -> B valve closed	336,0	391,0
Flow direction C -> E valve closed	748,0	870,5
Flow direction A -> C valve open	181,0	210,6
Flow direction C -> A valve open	156,0	181,5

CVS: CVS-VALUE ACC. TO DIN EN 60534-2-3

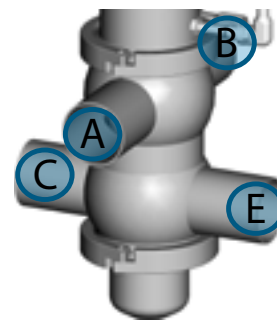


SÜDMO DSV COMPLETE

DOUBLE SEAT VALVES

KVS/CVS-VALUES

FLOW MEASUREMENT



DOUBLE SEAT VALVE D365IT COMPLETE

$$\Delta P [\text{bar}] = \left(\frac{Q [\text{m}^3/\text{h}]}{KV} \right)^2 \Delta P [\text{PSI}] = \left(\frac{Q [\text{gal}/\text{min}]}{CV} \right)^2$$

OD 2.0"

VALVE	CVS-VALUE	CVS-VALUE
Flow direction A -> B valve closed	76,0	82,6
Flow direction C -> E valve closed	107,0	124,5
Flow direction A -> C valve open	51,0	59,4
Flow direction C -> A valve open	48,0	55,9

OD 3.0"

VALVE	CVS-VALUE	CVS-VALUE
Flow direction A -> B valve closed	235,0	273,5
Flow direction C -> E valve closed	313,0	364,3
Flow direction A -> C valve open	129,0	150,1
Flow direction C -> A valve open	132,0	153,6

OD 2.5"

VALVE	CVS-VALUE	CVS-VALUE
Flow direction A -> B valve closed	149,0	173,4
Flow direction C -> E valve closed	191,0	222,3
Flow direction A -> C valve open	93,0	108,2
Flow direction C -> A valve open	98,0	114,1

OD 4.0"

VALVE	CVS-VALUE	CVS-VALUE
Flow direction A -> B valve closed	368,0	428,3
Flow direction C -> E valve closed	480,0	558,6
Flow direction A -> C valve open	215,0	250,2
Flow direction C -> A valve open	222,0	258,4

OD 6.0"

VALVE	CVS-VALUE	CVS-VALUE
Flow direction A -> B valve closed	415,0	483,0
Flow direction C -> E valve closed	439,0	511,0
Flow direction A -> C valve open	818,0	952,0
Flow direction C -> A valve open	1110,0	1292,0

CVS: CVS-VALUE ACC. TO DIN EN 60534-2-3

SÜDMO DSV COMPLETE

DOUBLE SEAT VALVES

2.0



SÜDMO

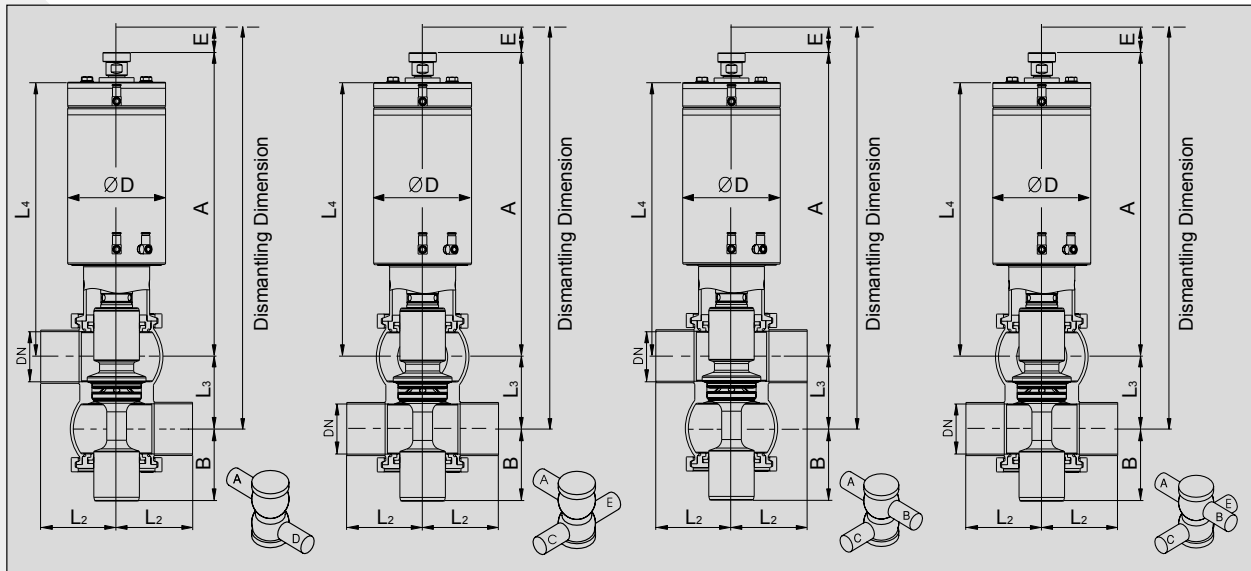
DSV COMPLETE DOUBLE SEAT VALVES

CONTENT

- 2.1.2 DSV COMPLETE D 600
- 2.1.4 DSV COMPLETE D 610
- 2.1.6 DSV COMPLETE D 620
- 2.1.8 DSV COMPLETE D 630
- 2.1.10 DSV COMPLETE D 620 S-SP
- 2.1.12 DSV COMPLETE D 620 U
- 2.1.14 DSV COMPLETE D 640
- 2.1.16 DSV COMPLETE D 650
- 2.1.18 DSV COMPLETE D 660
- 2.1.20 COMPLETE SPARE PARTS

DOUBLE SEAT VALVES DSV COMPLETE STANDARD

2.1



D 601 D 602 D 603 D 604

METRIC		A	B	ØD	E	L ₂	L ₃	L ₄	AM	kg
DN	Tube									
25	Ø29 x 1.5	341	58	104	20,5	80	47	302	519	12
40	Ø41 x 1.5	347	68	104	25	80	62	308	572	12,6
50	Ø53 x 1.5	364	81	104	32	100	79	325	655	13,6
65	Ø70 x 2.0	400	95	129	38	100	95	362	745	20,2
80	Ø85 x 2.0	408	103	129	38	120	110	369	800	24
100	Ø104 x 2.0	423	117	129	43	150	129	384	875	29,4

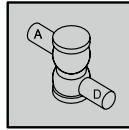
OD-TUBE		A	B	ØD	E	L ₂	L ₃	L ₄	AM	kg
DN	Tube									
1.0"	Ø25.4 x 1.65	343	56	104	20,5	80	47	304	521	12,1
1.5"	Ø38.1 x 1.65	349	67	104	25	80	62	310	574	12,6
2.0"	Ø50.8 x 1.65	365	80	104	32	100	79	326	655	13,6
2.5"	Ø63.5 x 1.65	404	92	129	38	100	95	365	750	20,2
3.0"	Ø76.2 x 1.65	412	98	129	38	120	110	373	805	24
4.0"	Ø101.6 x 2.11	424	116	129	43	150	129	385	875	29,4

LEAKAGE LOW SWITCHING

SEAT LIFTS

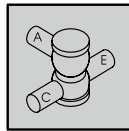


DOUBLE SEAT VALVES DSV COMPLETE STANDARD



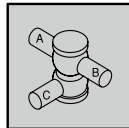
Double Seat Valve (EPDM) DSV Complete D 601

METRIC	ID-NO.	OD-TUBE	ID-NO.
25	2308300	1.0"	2308308
40	2308301	1.5"	2308309
50	2308302	2.0"	2308310
65	2308303	2.5"	2308311
80	2308304	3.0"	2308312
100	2308305	4.0"	2308313



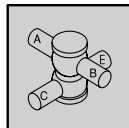
Double Seat Valve (EPDM) DSV Complete D 602

METRIC	ID-NO.	OD-TUBE	ID-NO.
25	2308315	1.0"	2308323
40	2308316	1.5"	2308324
50	2308317	2.0"	2308325
65	2308318	2.5"	2308326
80	2308319	3.0"	2308327
100	2308320	4.0"	2308328



Double Seat Valve (EPDM) DSV Complete D 603

METRIC	ID-NO.	OD-TUBE	ID-NO.
25	2308330	1.0"	2308338
40	2308331	1.5"	2308339
50	2308332	2.0"	2308340
65	2308333	2.5"	2308341
80	2308334	3.0"	2308342
100	2308335	4.0"	2308343

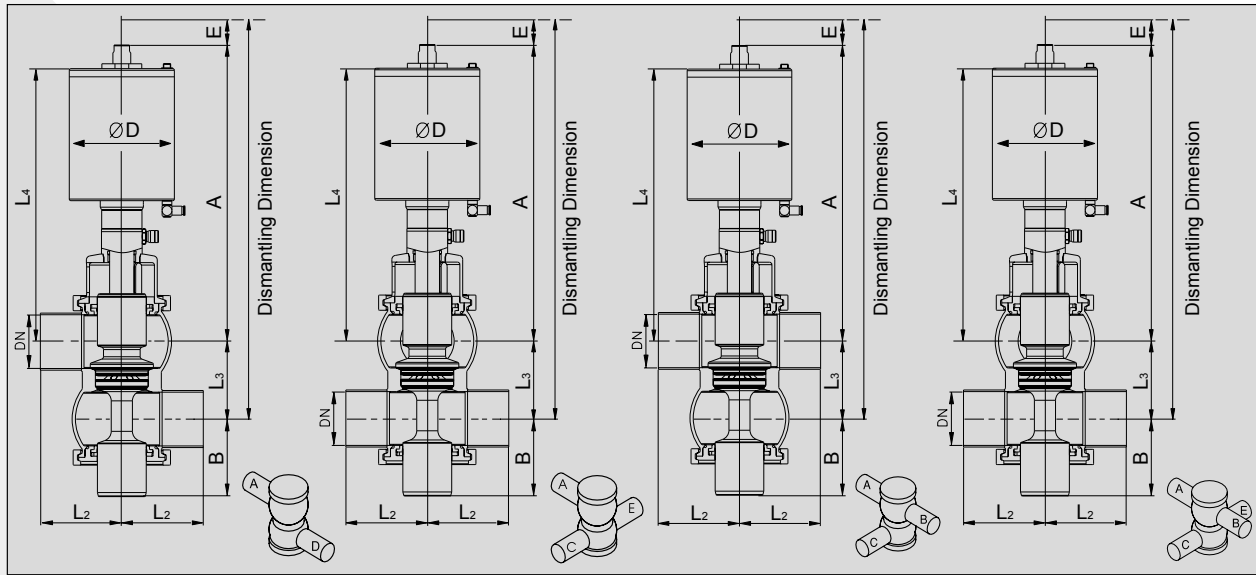


Double Seat Valve (EPDM) DSV Complete D 604

METRIC	ID-NO.	OD-TUBE	ID-NO.
25	2308345	1.0"	2308349
40	2308346	1.5"	2308350
50	2132480	2.0"	2308351
65	2132519	2.5"	2308352
80	2132501	3.0"	2308353
100	2143971	4.0"	2308354

DOUBLE SEAT VALVES DSV COMPLETE STANDARD

2.1



D 611 D 612 D 613 D 614

METRIC		A	B	ØD	E	L ₂	L ₃	L ₄	AM	kg
DN	Tube									
25	Ø29 x 1.5	335	57,5	104	20,5	80	47	306	513	10
40	Ø41 x 1.5	341	68	104	25	80	62	312	567	11
50	Ø53 x 1.5	347	81	104	32	100	79	318	625	12
65	Ø70 x 2.0	364	95	129	38	100	95	335	696	16,5
80	Ø85 x 2.0	371,5	103	129	38	120	110	342	748	20
100	Ø104 x 2.0	386	117	129	43	150	129	357	825	26

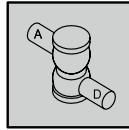
OD-TUBE		A	B	ØD	E	L ₂	L ₃	L ₄	AM	kg
DN	Tube									
1.0"	Ø25.4 x 1.65	377	56	104	18	80	47	308	515	10,3
1.5"	Ø38.1 x 1.65	342	68	104	25	80	62	314	569	10,8
2.0"	Ø50.8 x 1.65	346	80	104	32	100	79	319	635	12
2.5"	Ø63.5 x 1.65	365	92	129	38	100	95	338	705	16,5
3.0"	Ø76.2 x 1.65	374	99	129	38	120	110	347	735	20
4.0"	Ø101.6 x 2.11	385	116	129	43	150	129	358	830	26

LEAKAGE LOW SWITCHING

NO SEAT LIFTS, FLUSHABLE LEAKAGE CHAMBER

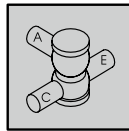


DOUBLE SEAT VALVES DSV COMPLETE STANDARD



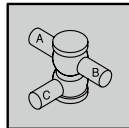
Double Seat Valve (EPDM) DSV Complete D 611

METRIC	ID-NO.	OD-TUBE	ID-NO.
25	2308356	1.0"	2308364
40	2308357	1.5"	2308365
50	2308358	2.0"	2308366
65	2308359	2.5"	2308367
80	2308360	3.0"	2308368
100	2308361	4.0"	2308369



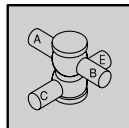
Double Seat Valve (EPDM) DSV Complete D 612

METRIC	ID-NO.	OD-TUBE	ID-NO.
25	2308371	1.0"	2308379
40	2308372	1.5"	2308380
50	2308373	2.0"	2308381
65	2308374	2.5"	2308382
80	2308375	3.0"	2308383
100	2308376	4.0"	2308384



Double Seat Valve (EPDM) DSV Complete D 613

METRIC	ID-NO.	OD-TUBE	ID-NO.
25	2308386	1.0"	2308394
40	2308387	1.5"	2308395
50	2308388	2.0"	2308396
65	2308389	2.5"	2308397
80	2308390	3.0"	2308398
100	2308391	4.0"	2308399

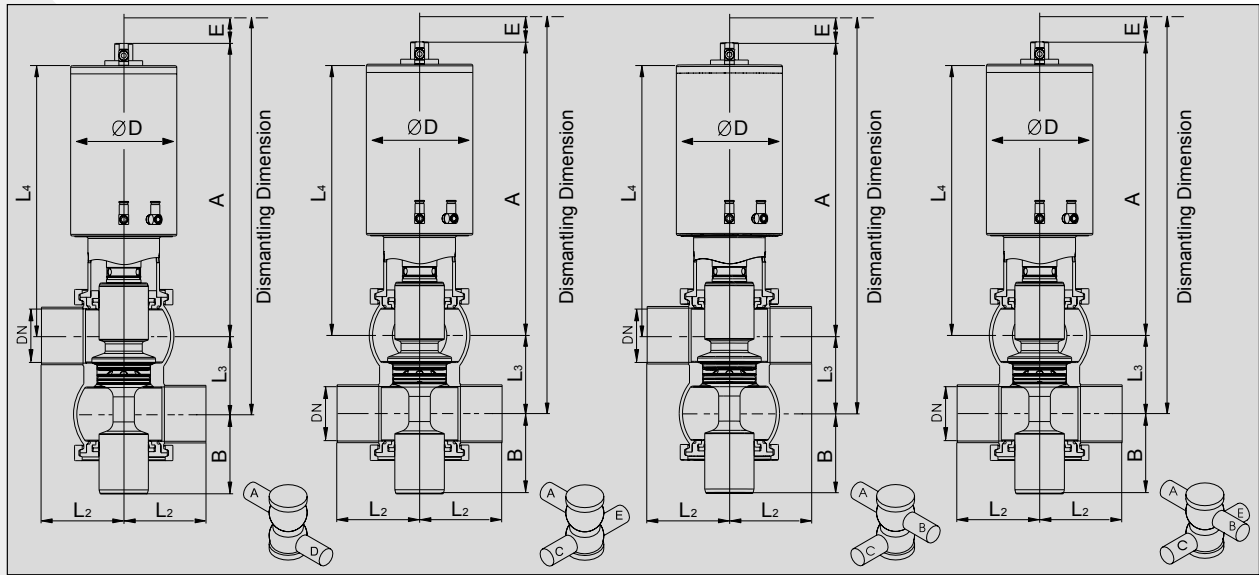


Double Seat Valve (EPDM) DSV Complete D 614

METRIC	ID-NO.	OD-TUBE	ID-NO.
25	2308401	1.0"	2308409
40	2308402	1.5"	2308410
50	2308403	2.0"	2308411
65	2308404	2.5"	2308412
80	2308405	3.0"	2308413
100	2308406	4.0"	2308414

DOUBLE SEAT VALVES DSV COMPLETE STANDARD

2.1



D 621 D 622 D 623 D 624

METRIC		A	B	ØD	E	L ₂	L ₃	L ₄	AM	kg
DN	Tube									
25	Ø29 x 1.5	296	59,5	104	22,5	80	47	269	476	10,3
40	Ø41 x 1.5	302	70	104	27	80	62	275	529	10,6
50	Ø53 x 1.5	319	83	104	34	100	79	292	605	11,7
65	Ø70 x 2.0	356	97	129	40	100	95	392	700	17,3
80	Ø85 x 2.0	363	105	129	40	120	110	336	750	21
100	Ø104 x 2.0	378	119	129	45	150	129	351	830	26,7
125	Ø129 x 2.0	477	140	168	50	200	154	450	1009	47,3
150	Ø154 x 2.0	490	157	168	55	200	180	463	1103	59,7

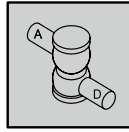
OD-TUBE		A	B	ØD	E	L ₂	L ₃	L ₄	AM	kg
DN	Tube									
1.0"	Ø25.4 x 1.65	298	57,5	104	22.5	80	47	271	478	10,2
1.5"	Ø38.1 x 1.65	304	68,4	104	27	80	62	277	531	10,7
2.0"	Ø50.8 x 1.65	320	82	104	34	100	79	293	605	11,7
2.5"	Ø63.5 x 1.65	359	94	129	40	100	95	332	705	17,3
3.0"	Ø76.2 x 1.65	367	100	129	40	120	110	340	705	21
4.0"	Ø101.6 x 2.11	379	118	129	45	150	129	352	830	26,7
6.0"	Ø152.4 x 2.77	491	155	168	55	200	180	464	1105	61

LEAKAGE FREE SWITCHING

SEAT LIFTS

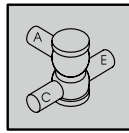


DOUBLE SEAT VALVES DSV COMPLETE STANDARD



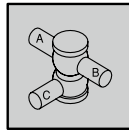
Double Seat Valve (EPDM) DSV Complete D 621

METRIC	ID-NO.	OD-TUBE	ID-NO.
25	2308416	1.0"	2308424
40	2308417	1.5"	2314765
50	2308418	2.0"	2308426
65	2308419	2.5"	2308427
80	2308420	3.0"	2308428
100	2308421	4.0"	2308429
125	2308422		
150	2308423	6.0"	2308430



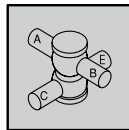
Double Seat Valve (EPDM) DSV Complete D 622

METRIC	ID-NO.	OD-TUBE	ID-NO.
25	2308431	1.0"	2308439
40	2308432	1.5"	2308440
50	2308433	2.0"	2308441
65	2308434	2.5"	2308442
80	2308435	3.0"	2308443
100	2308436	4.0"	2308444
125	2308437		
150	2308438	6.0"	2308445



Double Seat Valve (EPDM) DSV Complete D 623

METRIC	ID-NO.	OD-TUBE	ID-NO.
25	2308446	1.0"	2308454
40	2308447	1.5"	2308455
50	2308448	2.0"	2308456
65	2308449	2.5"	2308457
80	2308450	3.0"	2308458
100	2308451	4.0"	2308459
125	2308452		
150	2308453	6.0"	2308460

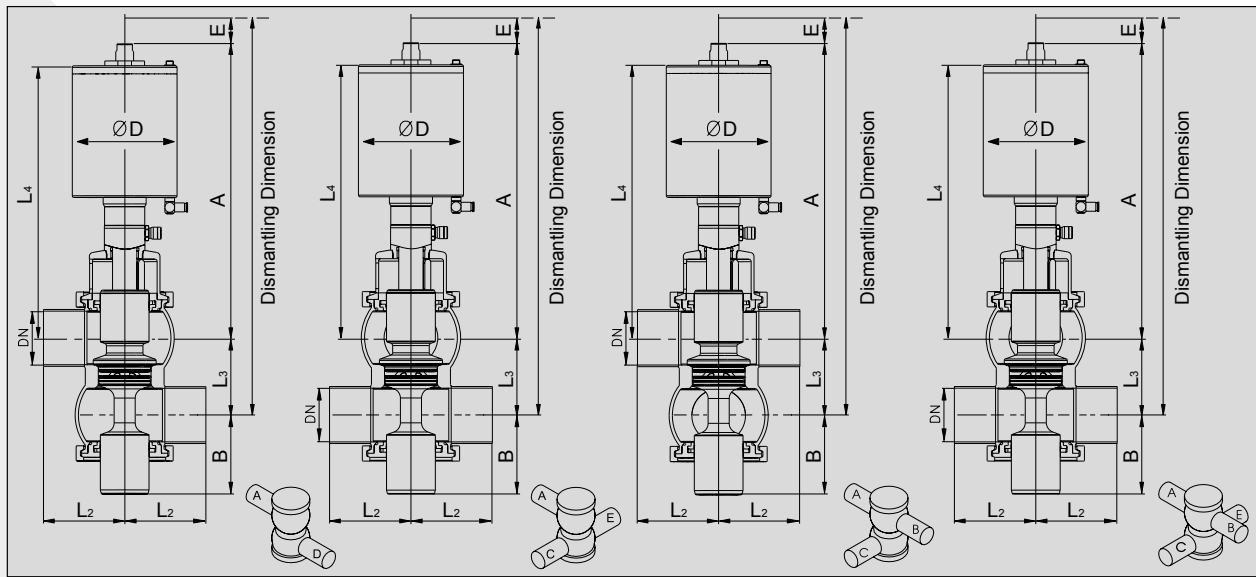


Double Seat Valve (EPDM) DSV Complete D 624

METRIC	ID-NO.	OD-TUBE	ID-NO.
25	2308461	1.0"	2308465
40	2308464	1.5"	2314766
50	2132459	2.0"	2308467
65	2132515	2.5"	2308468
80	2132500	3.0"	2308469
100	2143970	4.0"	2308470
125	2308462		
150	2308463	6.0"	2308471

DOUBLE SEAT VALVES DSV COMPLETE STANDARD

2.1



D 631 D 632 D 633 D 634

METRIC		A	B	ØD	E	L ₂	L ₃	L ₄	AM	kg
DN	Tube									
25	Ø29 x 1.5	333	58	104	20	80	47	306	512	10,4
40	Ø41 x 1.5	339	71	104	27	80	62	312	568	10,8
50	Ø53 x 1.5	345	83	104	34	100	79	318	630	12
65	Ø70 x 2.0	362	97	129	40	100	95	335	700	16,5
80	Ø85 x 2.0	370	105	129	40	120	110	342	730	20
100	Ø104 x 2.0	384	119	129	45	150	129	357	830	26
125	Ø129 x 2.0	500	140	168	50	200	154	473	1032	46,7
150	Ø154 x 2.0	518	157	168	55	200	180	491	1131	59,3

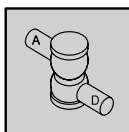
OD-TUBE		A	B	ØD	E	L ₂	L ₃	L ₄	AM	kg
DN	Tube									
1.0"	Ø25,4 x 1.65	335	57	104	20	80	47	308	514	10,4
1.5"	Ø38.1 x 1.65	341	70	104	27	80	62	314	570	10,8
2.0"	Ø50.8 x 1.65	346	82	104	34	100	79	319	635	12
2.5"	Ø63.5 x 1.65	365	94	129	40	100	95	338	705	16,5
3.0"	Ø76.2 x 1.65	374	101	129	40	120	110	347	735	20
4.0"	Ø101.6 x 2.11	385	118	129	45	150	129	358	830	26
6.0"	Ø152.4 x 2.77	519	156	168	55	200	180	492	1133	60,7

LEAKAGE FREE SWITCHING

NO SEAT LIFTS, FLUSHABLE LEAKAGE CHAMBER

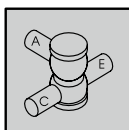


DOUBLE SEAT VALVES DSV COMPLETE STANDARD



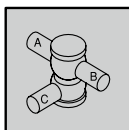
Double Seat Valve (EPDM) DSV Complete D 631

METRIC	ID-NO.	OD-TUBE	ID-NO.
25	2308472	1.0"	2308480
40	2308473	1.5"	2308481
50	2308474	2.0"	2308482
65	2308475	2.5"	2308483
80	2308476	3.0"	2308484
100	2308477	4.0"	2308485
125	2308478		
150	2308479	6.0"	2308486



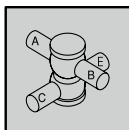
Double Seat Valve (EPDM) DSV Complete D 632

METRIC	ID-NO.	OD-TUBE	ID-NO.
25	2308487	1.0"	2308495
40	2308488	1.5"	2308496
50	2308489	2.0"	2308497
65	2308490	2.5"	2308498
80	2308491	3.0"	2308499
100	2308492	4.0"	2308500
125	2308493		
150	2308494	6.0"	2308501



Double Seat Valve (EPDM) DSV Complete D 633

METRIC	ID-NO.	OD-TUBE	ID-NO.
25	2308502	1.0"	2308510
40	2308503	1.5"	2308511
50	2308504	2.0"	2308512
65	2308505	2.5"	2308513
80	2308506	3.0"	2308514
100	2308507	4.0"	2308515
125	2308508		
150	2308509	6.0"	2308516

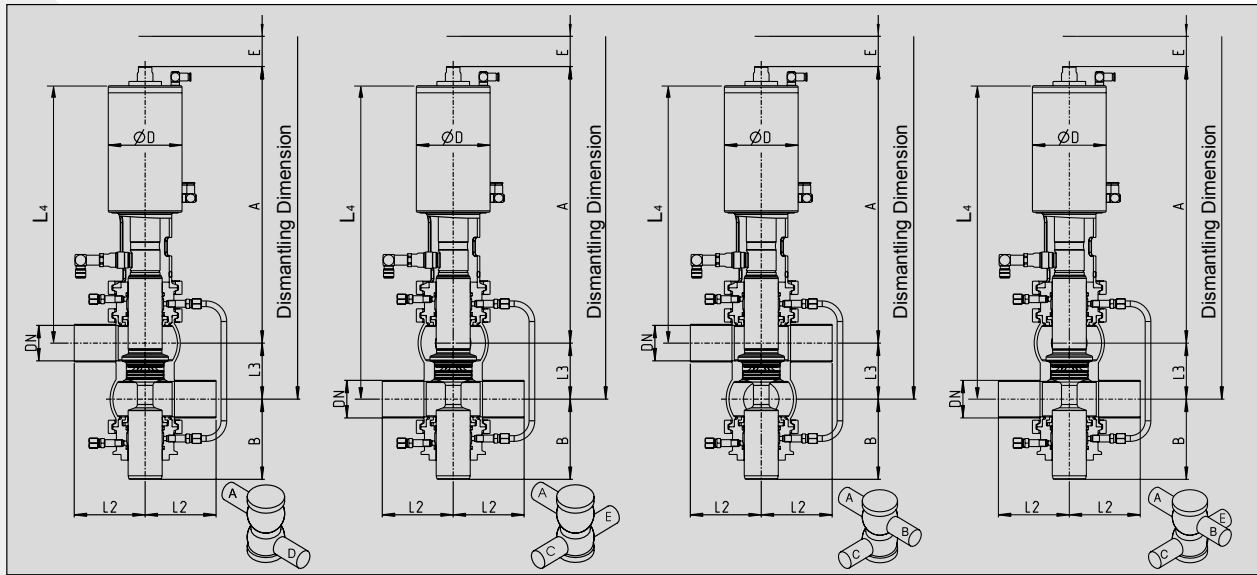


Double Seat Valve (EPDM) DSV Complete D 634

METRIC	ID-NO.	OD-TUBE	ID-NO.
25	2308517	1.0"	2308524
40	2308518	1.5"	2308525
50	2308519	2.0"	2308526
65	2308520	2.5"	2308527
80	2308521	3.0"	2308528
100	2132400	4.0"	2308529
125	2308522		
150	2308523	6.0"	2308530

DOUBLE SEAT VALVES DSV COMPLETE STERILE VERSION-FLUSHABLE

2.1



D 621S-sp D 622S-sp D 623S-sp D 624S-sp

METRIC										
DN	Tube	A	B	ØD	E	L2	L3	L4	AM	kg
25	Ø29 x 1.5	361	83,5	104	22,5	80	47	334	566	12,5
40	Ø41 x 1.5	367	94	104	27	80	62	340	618	12,2
50	Ø53 x 1.5	390	113	104	34	100	79	363	700	13,7
65	Ø70 x 2.0	433	133	129	40	100	95	405,5	803	20,2
80	Ø85 x 2.0	440	141	129	40	120	110	413	856	24,2
100	Ø104 x 2.0	459,5	160,6	129	45	150	129	432,5	942	30,9
125	Ø129 x 2.0	555	186	168	50	200	154	528	980	65,6
150	Ø154 x 2.0	757	209	168	55	200	180	730	1246	88,4

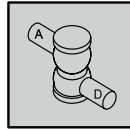
OD-TUBE										
DN	Tube	A	B	ØD	E	L2	L3	L4	AM	kg
1.0"	Ø25,4 x 1.65	363	81,5	104	22,5	80	47	336	567,5	12,5
1.5"	Ø38,1 x 1.65	368,6	92,4	104	27	80	62	341,6	620	12,2
2.0"	Ø50,8 x 1.65	391	112	104	34	100	79	343,3	702	13,7
2.5"	Ø63,5 x 1.65	435	130	129	40	100	95	408,4	806	20,2
3.0"	Ø76,2 x 1.65	444	137	129	40	120	110	417,1	860	24,2
4.0"	Ø101,6 x 2.11	460,8	159,3	129	45	150	129	453,8	944	30,9
6.0"	Ø152,4 x 2.77	759	209	168	55	200	180	732	1248	89,7

LEAKAGE FREE SWITCHING

SEAT LIFTS
EXTERNAL FLUSHING CONNECTION FOR CLEANING OF THE LEAKAGE CHAMBER
STERILE CHAMBER FOR STERILIZATION OF THE SHAFT AREA

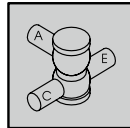


DOUBLE SEAT VALVES DSV COMPLETE STERILE VERSION-FLUSHABLE



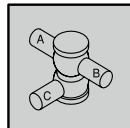
Double Seat Valve, Sterile Version-Flushable (EPDM) DSV Complete D 621S-sp

METRIC	ID-NO.	OD-TUBE	ID-NO.
25	2314900	1.0"	2314908
40	2314901	1.5"	2314909
50	2314902	2.0"	2314910
65	2314903	2.5"	2314911
80	2314904	3.0"	2314912
100	2314905	4.0"	2314913
125	2314906		
150	2314907	6.0"	2314914



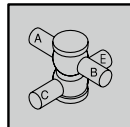
Double Seat Valve, Sterile Version-Flushable (EPDM) DSV Complete D 622S-sp

METRIC	ID-NO.	OD-TUBE	ID-NO.
25	2314915	1.0"	2314923
40	2314916	1.5"	2314924
50	2314917	2.0"	2314925
65	2314918	2.5"	2314926
80	2314919	3.0"	2314927
100	2314920	4.0"	2314928
125	2314921		
150	2314922	6.0"	2314929



Double Seat Valve, Sterile Version-Flushable (EPDM) DSV Complete D 623S-sp

METRIC	ID-NO.	OD-TUBE	ID-NO.
25	2314930	1.0"	2314938
40	2314931	1.5"	2314939
50	2314932	2.0"	2314940
65	2314933	2.5"	2314941
80	2314934	3.0"	2314942
100	2314935	4.0"	2314943
125	2314936		
150	2314937	6.0"	2314944

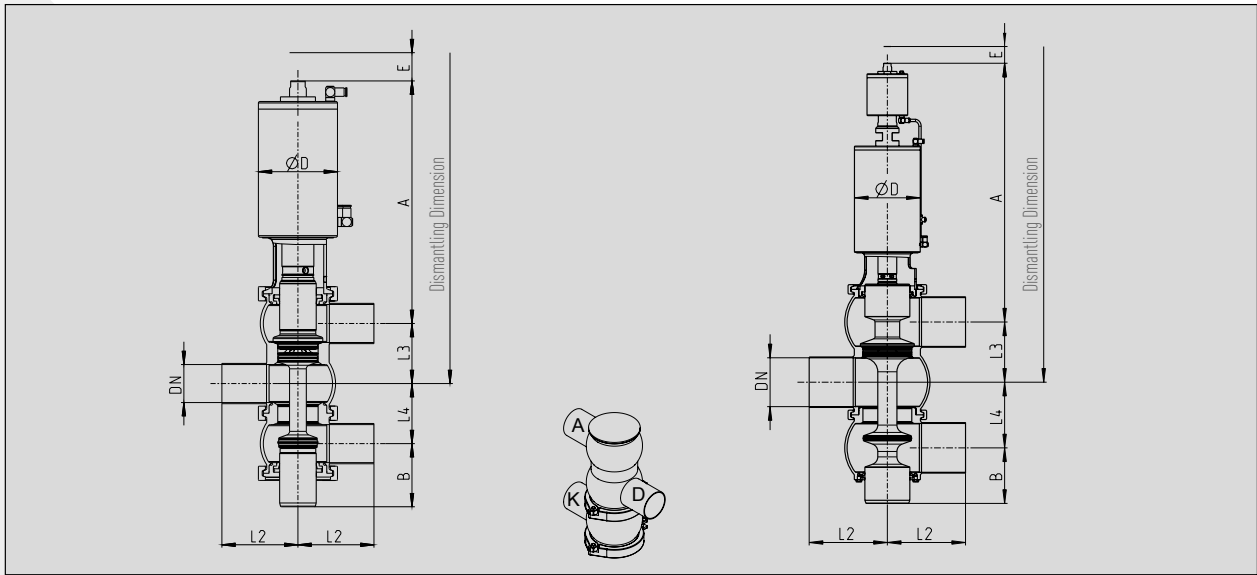


Double Seat Valve, Sterile Version-Flushable (EPDM) DSV Complete D 624S-sp

METRIC	ID-NO.	OD-TUBE	ID-NO.
25	2314945	1.0"	2314950
40	2314946	1.5"	2314951
50	2313109	2.0"	2314952
65	2914038	2.5"	2314953
80	2314947	3.0"	2309537
100	2314237	4.0"	2314954
125	2314948		
150	2314949	6.0"	2314955

DOUBLE SEAT CHANGE-OVER VALVE DSV COMPLETE

2.1



D 621U **D 621U (DN 125/150/6.0") with Booster**

METRIC		A	B	ØD	E	L2	L3	L4	L5	AM	kg
DN	Tube										
25	Ø29 x 1.5	296	60	104	22,5	80	47	53	269	530	12
40	Ø41 x 1.5	302	70	104	27	80	62	65	275	594	12,3
50	Ø53 x 1.5	319	83	104	34	100	79	79	292	678	13,7
65	Ø70 x 2.0	356	97	129	40	100	95	95	329	785	20,2
80	Ø85 x 2.0	363	105	129	40	120	110	110	336	853	24,8
100	Ø104 x 2.0	378	119	129	45	150	129	129	351	948	32,4
125	Ø129 x 2.0	662	142	168,3	50	200	154	168	635	1250	64,7
150	Ø154 x 2.0	675	160	168,3	55	200	180	193	648	1350	81,3

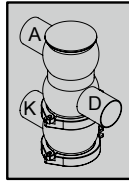
OD-TUBE		A	B	ØD	E	L2	L3	L4	L5	AM	kg
DN	Tube										
1.0"	Ø25.4 x 1.65	298	58	104	22,5	80	47	53	271	532	12
1.5"	Ø38.1 x 1.65	304	68	104	27	80	62	65	277	596	12,3
2.0"	Ø50.8 x 1.65	320	82	104	34	100	79	79	293	680	14
2.5"	Ø63.5 x 1.65	398	94	129	40	100	95	95	332	788	20
3.0"	Ø76.2 x 1.65	367	101	129	40	120	110	110	340	857	24,7
4.0"	Ø101.6 x 2.11	379	118	129	45	150	129	129	352	950	32
6.0"	Ø152.4 x 2.77	519	156	168	55	200	180	193	649	1133	81

LEAKAGE FREE SWITCHING

SEAT LIFTS



DOUBLE SEAT CHANGE-OVER VALVE DSV COMPLETE

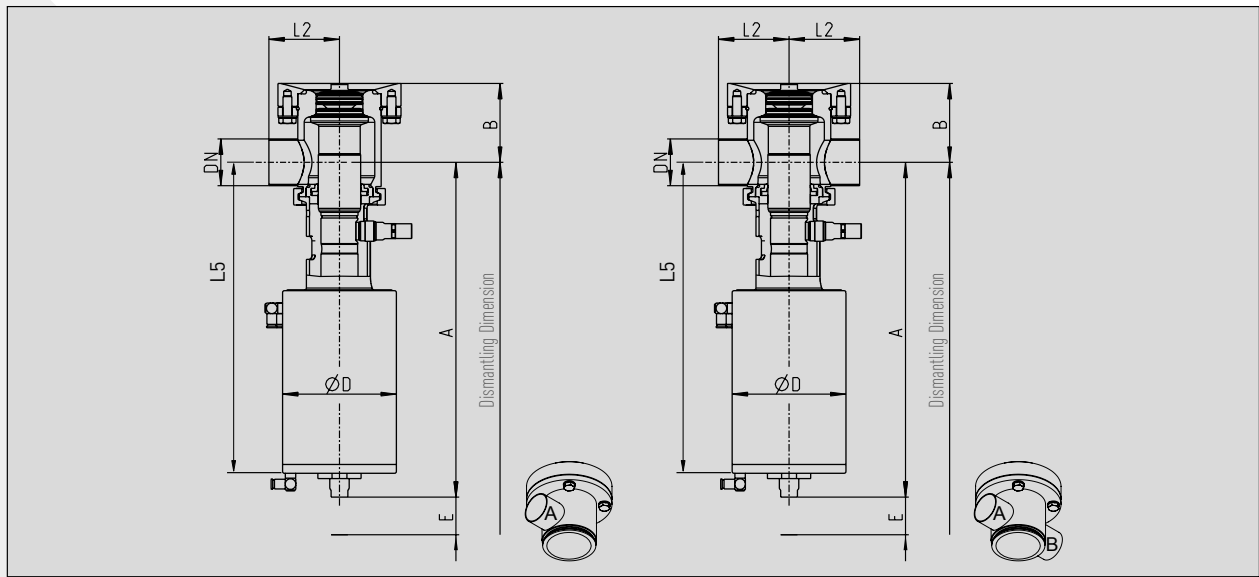


Double Seat Change-Over Valve (EPDM) DSV Complete D 621U

METRIC	ID-NO.	OD-TUBE	ID-NO.
25	2314956	1.0"	2314962
40	2314957	1.5"	2314963
50	2314269	2.0"	2314964
65	2314958	2.5"	2314965
80	2314959	3.0"	2314966
100	2314270	4.0"	2314967
125	2314960		
150	2314961	6.0"	2314968

DOUBLE SEAT BOTTOM VALVE DSV COMPLETE

2.1



D 640 **D 641**

METRIC		A	B	ØBF	ØD	E	L2	L5	AM	kg
DN	Tube									
25	Ø29 x 1.5	328	82,4	129,5	104	27	80	301	460	12,3
40	Ø41 x 1.5	334	76,5	129,5	104	27	80	307	465	12,3
50	Ø53 x 1.5	380	89,5	139,5	129	34	80	353	530	16,8
65	Ø70 x 2.0	388	102	169,5	129	40	90	361	560	21,1
80	Ø85 x 2.0	477	118,5	179,5	168,3	40	105	450	660	30,9
100	Ø104 x 2.0	487	137	209,5	168,3	45	120	460	705	38,3
125	Ø129 x 2.0	627	181,6	308	204	55	180	600,5	910	102

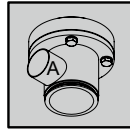
OD-TUBE		A	B	ØD	E	L2	L5	AM	kg	
DN	Tube									
1.0"	Ø25.4 x 1.65	326	84,4	129,5	104	27	80	299	460	12,3
1.5"	Ø38.1 x 1.65	332	78	129,5	104	27	80	305	465	12,3
2.0"	Ø50.8 x 1.65	378	91	139,5	129	34	80	354	530	16,8
2.5"	Ø63.5 x 1.65	385	105	169,5	129	40	90	363	560	21,1
3.0"	Ø76.2 x 1.65	473	122,5	179,5	168,3	40	100	446	660	30,9
4.0"	Ø101.6 x 2.11	485	138	209,5	168,3	45	120	461	683,5	38,3

LEAKAGE FREE SWITCHING

LIFTABLE SEATS

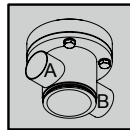


DOUBLE SEAT BOTTOM VALVE DSV COMPLETE



Double Seat Bottom Valve (EPDM) DSV Complete D 640

METRIC	ID-NO.	OD-TUBE	ID-NO.
25	2322291	1.0"	2322297
40	2314969	1.5"	2314976
50	2321977	2.0"	2321978
65	2314971	2.5"	2321979
80	2314972	3.0"	2321980
100	2314973	4.0"	2314979
125	2314974		

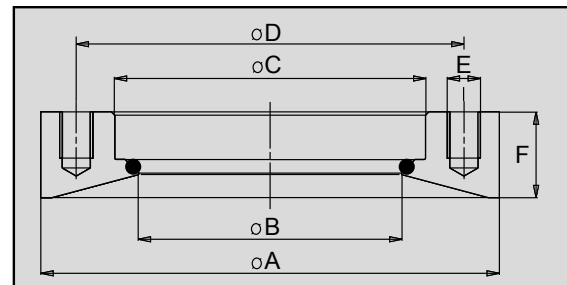


Double Seat Bottom Valve (EPDM) DSV Complete D 641

METRIC	ID-NO.	OD-TUBE	ID-NO.
25	2322292	1.0"	2322298
40	2321984	1.5"	2321989
50	2321985	2.0"	2321990
65	2321986	2.5"	2321991
80	2321987	3.0"	2321992
100	2321988	4.0"	2321993
125	2314984		

Please order separately:

Weld-In Flange for Bottom Seat Valves
Z 2000/Select B 1.4404 (AISI 316L) APZ 3.1

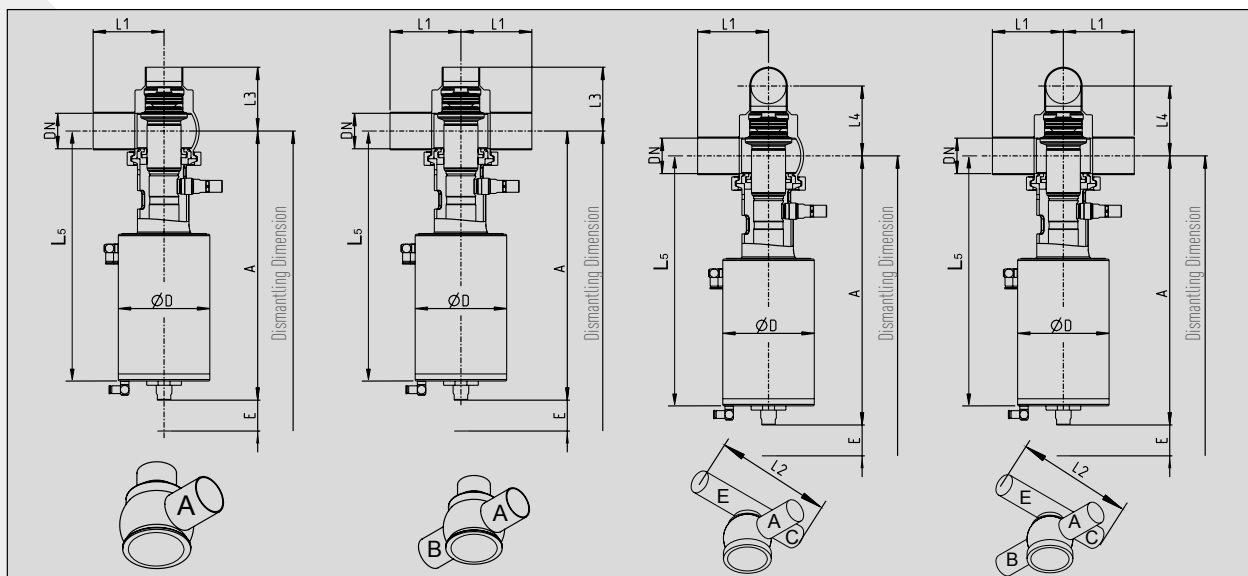


N.b.: Weld-in flange Z 2000/Select B is not compatible to the double seat valve range DSV M1994 and older Double Seat Valve series.

SIZES	ØA	ØB	ØC	ØD	E	F	ID-NO.
DN 25/1.0"	129.5	66.1	79.75	105	4 x M10	26	2123264
DN 40/1.5"	129.5	66.1	79.75	105	4 x M10	26	2123264
DN 50/2.0"	139.5	80.1	94.75	118	4 x M10	26	2123266
DN 65/2.5"	169.5	98.1	114.75	143	4 x M12	30	2123268
DN 80/3.0"	179.5	114.5	129.80	156	4 x M12	35	2123270
DN 100/4.0"	209.5	140.5	159.80	185	6 x M12	37	2123297
DN 125	308.0	188.0	229.5	255	6 x M16	50	2301848

DOUBLE SEAT RIGHT ANGLE VALVES DSV COMPLETE DOUBLE SEAT VALVES FOR RING MAINS

2.1



D 650 D 651 D 657 D 658

METRIC		A	ØD	E	L1	L2	L3	L4	L5	AM	kg
DN	Tube										
25	Ø29 x 1.5	328	104	22,5	80	100	75	74,5	301	420	9,5
40	Ø41 x 1.5	334	104	27	80	120	80	86,5	307	440	9,9
50	Ø53 x 1.5	380	129	34	100	160	90	99,5	353	490	13,3
65	Ø70 x 2.0	388	129	40	100	210	90	112,5	361	520	15,1
80	Ø85 x 2.0	477	168,3	40	120	260	110	127,5	450	620	24,1
100	Ø104 x 2.0	487	168,3	45	150	310	120	147,5	460	650	28,1
125	Ø129 x 2.0	627	204	55	200	375	140	184	600,5	825	72,3
150	Ø154 x 2.0	640	204	55	200	450	170	217,5	613	870	81,3

OD-TUBE		A	ØD	E	L1	L2	L3	L4	L5	AM	kg
DN	Tube										
1.0"	Ø25.4 x 1.65	326	104	22,5	80	108	75	74,65	299	420	9,4
1.5"	Ø38.1 x 1.65	332	104	27	80	120,6	80	86,2	305	445	9,9
2.0"	Ø50.8 x 1.65	381	129	34	100	146	90	99,5	354	495	13,3
2.5"	Ø63.5 x 1.65	390	129	40	100	158,8	95	113	363	525	15,3
3.0"	Ø76.2 x 1.65	473	168,3	40	120	171,4	115	129	446	610	24,1
4.0"	Ø101.6 x 2.11	488	168,3	45	150	209,6	124	152,5	461	655	28,2
6.0"	Ø152.4 x 2.77	638	204	55	200	285,8	171,6	219,2	611	870	84,1

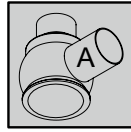
LEAKAGE FREE SWITCHING

LIFTABLE SEATS



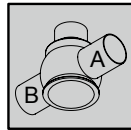
DOUBLE SEAT RIGHT ANGLE VALVES DSV COMPLETE

DOUBLE SEAT VALVES FOR RING MAINS



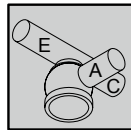
Double Seat Right Angle Valve (EPDM) DSV Complete D 650

METRIC	ID-NO.	OD-TUBE	ID-NO.
25	2322293	1.0"	2316017
40	2322278	1.5"	2316018
50	2314991	2.0"	2317514
65	2314992	2.5"	2316020
80	2314993	3.0"	2317515
100	2314994	4.0"	2316022
125	2322299		
150	2319256	6.0"	2319257



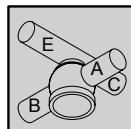
Double Seat Double Right Angle Valve (EPDM) DSV Complete D 651

METRIC	ID-NO.	OD-TUBE	ID-NO.
25	2322294	1.0"	2316023
40	2322279	1.5"	2316024
50	2317527	2.0"	2317545
65	2317540	2.5"	2317546
80	2317541	3.0"	2317547
100	2317542	4.0"	2317548
125	2322300		
150	2319254	6.0"	2319255



Double Seat Valve for Ring Mains (EPDM) DSV Complete D 657

METRIC	ID-NO.	OD-TUBE	ID-NO.
25	2322295	1.0"	2322303
40	2322280	1.5"	2322282
50	2315007	2.0"	2315011
65	2315008	2.5"	2315012
80	2315009	3.0"	2315013
100	2315010	4.0"	2315014
125	2322301		
150	2319252	6.0"	2319253

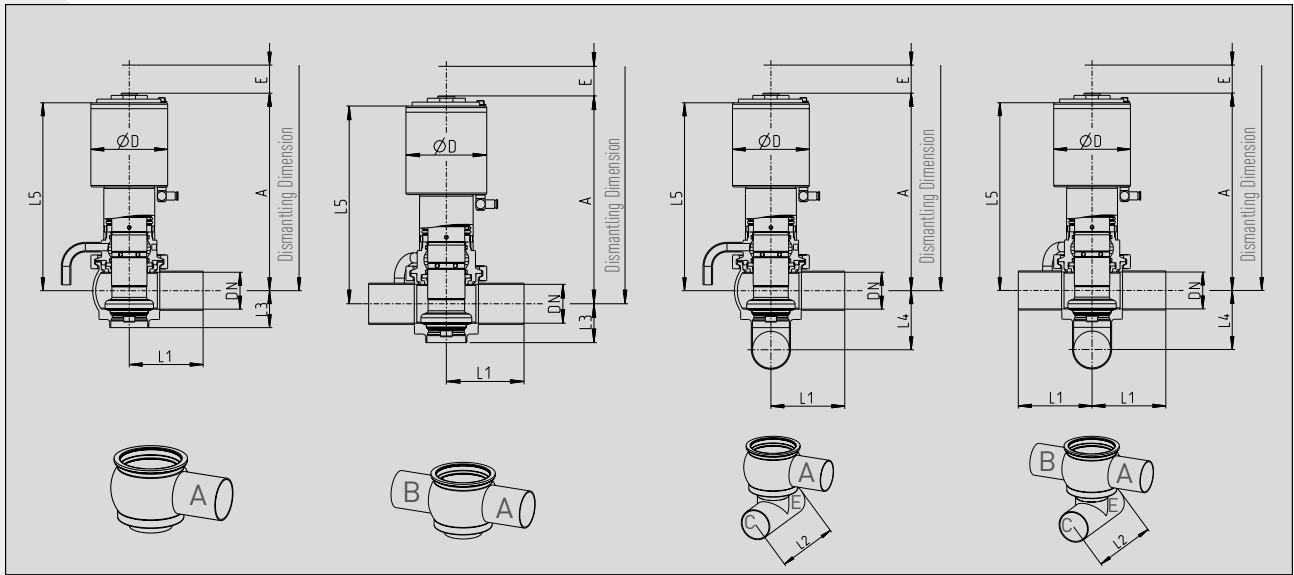


Double Seat Valve for Ring Mains (EPDM) DSV Complete D 658

METRIC	ID-NO.	OD-TUBE	ID-NO.
25	2322296	1.0"	2322304
40	2322281	1.5"	2322283
50	2317530	2.0"	2317535
65	2317531	2.5"	2315016
80	2317532	3.0"	2315017
100	2317533	4.0"	2315018
125	2322302		
150	2319250	6.0"	2319251

DOUBLE SEAT VALVES DSV COMPLETE FOR CIP-AREAS

2.1



D 660 **D 661** **D 667** **D 668**

METRIC/METRISCH

DN	Tube / Rohr	A	ØD	E	L1	L2	L3	L4	L5	AM	kg
40	Ø41 x 1.5	261,5	104	18	80	160	45	67,5	248,5	340	7,7
50	Ø53 x 1.5	267,5	104	18	100	160	50	79,5	254,5	360	8,1
65	Ø70 x 2.0	343,5	129	23	100	210	60	99,5	330,5	450	13,2
80	Ø85 x 2.0	354,5	129	23	120	260	70	117	341,5	475	15,5
100	Ø104 x 2.0	427,5	154	28	150	310	80	137,5	414,5	570	25,6
125	Ø129 x 2.0	495	204	35	200	375	100	174	466,5	725	58

OD-TUBE

DN	Tube	A	ØD	E	L1	L2	L3	L4	L5	AM	kg
1.5"	Ø38.1 x 1.65	263,1	104	14,8	80	146	43,6	64,2	246,9	340	7,7
2.0"	Ø50.8 x 1.65	269	104	15,5	100	146	48,8	77,1	253	360	9,5
2.5"	Ø63.5 x 1.65	341	129	23	100	158,8	57,1	91,9	328	445	12,3
3.0"	Ø76.2 x 1.65	350	129	23	120	171,4	65,9	108,5	337	465	14,3
4.0"	Ø101.6 x 2.11	429	154	25,4	150	209,6	78,7	135	413	570	27,2

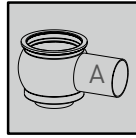
LEAKAGE LOW SWITCHING

NON-LIFTABLE SEATS

Mounting position: Vertical up, like displayed. Other mounting positions on request.

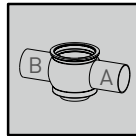


DOUBLE SEAT VALVES DSV COMPLETE FOR CIP-AREAS



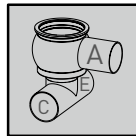
Double Seat Valve for CIP-Areas (EPDM) DSV Complete D 660

METRIC	ID-NO.	OD-TUBE	ID-NO.
40	2322262	1.5"	2322266
50	2315019	2.0"	2321856
65	2315020	2.5"	2321857
80	2315021	3.0"	2321858
100	2313203	4.0"	2321859
125	2324460		



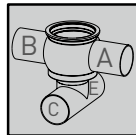
Double Seat Valve for CIP-Areas (EPDM) DSV Complete D 661

METRIC	ID-NO.	OD-TUBE	ID-NO.
40	2322263	1.5"	2322267
50	2321864	2.0"	2321868
65	2321865	2.5"	2321869
80	2321866	3.0"	2321870
100	2321867	4.0"	2321871
125	2324461		



Double Seat Valve for CIP-Areas (EPDM) DSV Complete D 667

METRIC	ID-NO.	OD-TUBE	ID-NO.
40	2322264	1.5"	2322268
50	2321872	2.0"	2321876
65	2321873	2.5"	2321877
80	2321874	3.0"	2321878
100	2321875	4.0"	2321879
125	2324462		



Double Seat Valve for CIP-Areas (EPDM) DSV Complete D 668

METRIC	ID-NO.	OD-TUBE	ID-NO.
40	2322265	1.5"	2322269
50	2320271	2.0"	2321860
65	2320272	2.5"	2321861
80	2320273	3.0"	2321862
100	2320274	4.0"	2321863
125	2324463		

DOUBLE SEAT VALVES

DSV COMPLETE

SPARE PARTS

Sets of Seals Product and Actuator sided for Double Seat Valves DSV Complete

D 600

D 601-D 604

Product Side		Product Side	Product Side	Actuator Side
EPDM		FKM	HNBR	NBR
SIZES	ID-NO.	ID-NO.	ID-NO.	ID-NO.
25/1.0"	2309731	2308536	2308542	2308549
40/1.5"	2309731	2308536	2308542	2308549
50/2.0"	2308531	2308537	2308543	2308549
65/2.5"	2308532	2308538	2308544	2308550
80/3.0"	2308533	2308539	2308545	2308550
100/4.0"	2308534	2308540	2308546	2308550

D 610

D 611-D 614

Product Side		Product Side	Product Side	Actuator Side
EPDM		FKM	HNBR	NBR
SIZES	ID-NO.	ID-NO.	ID-NO.	ID-NO.
25/1.0"	2309846	2308557	2308563	2308571
40/1.5"	2309846	2308557	2308563	2308571
50/2.0"	2308552	2308558	2308564	2308571
65/2.5"	2308553	2308559	2308565	2308571
80/3.0"	2308554	2308560	2308566	2308571
100/4.0"	2308555	2308561	2308567	2308571

D 620

D 621-D 624

Product Side		Product Side	Product Side	Actuator Side
EPDM		FKM	HNBR	NBR
SIZES	ID-NO.	ID-NO.	ID-NO.	ID-NO.
25/1.0"	2311678	2308535	2308541	2308591
40/1.5"	2311678	2308535	2308541	2308591
50/2.0"	2308573	2308579	2308585	2308591
65/2.5"	2308574	2308580	2308586	2308592
80/3.0"	2308575	2308581	2308587	2308592
100/4.0"	2308576	2308582	2308588	2308592
125	2308577	2308583	2163677	2308593
150/6.0"	2308578	2308584	2163678	2308593

D 630

D 631-D 634

Product Side		Product Side	Product Side	Actuator Side
EPDM		FKM	HNBR	NBR
SIZES	ID-NO.	ID-NO.	ID-NO.	ID-NO.
25/1.0"	2309977	2308556	2308562	2308571
40/1.5"	2309977	2308556	2308562	2308571
50/2.0"	2308594	2308600	2308606	2308571
65/2.5"	2308595	2308601	2308607	2308571
80/3.0"	2308596	2308602	2308608	2308571
100/4.0"	2308597	2308603	2308609	2308571
125	2308598	2308604	2308610	2308572
150/6.0"	2308599	2308605	2308611	2308572



Sets of Seals Product and Actuator sided for Double Seat Valves DSV Complete

D 620S-sp

D 621S-sp -D 624S-sp

	Product Side	Product Side	Product Side	Actuator Side
	EPDM	FKM	HNBR	NBR
SIZES	ID-NO.	ID-NO.	ID-NO.	ID-NO.
25/1.0"	2165362	2315800	2315808	2308591
40/1.5"	2165362	2315800	2315808	2308591
50/2.0"	2163352	2315801	2164807	2308591
65/2.5"	2161851	2315802	2164778	2308592
80/3.0"	2161766	2315803	2164246	2308592
100/4.0"	2145921	2315804	2315809	2308592
125	2164635	2315805	2315810	2308593
150/6.0"	2315807	2315806	2315811	2312719

D 621U

D 621U

	Product Side	Product Side	Product Side	Actuator Side
	EPDM	FKM	HNBR	NBR
SIZES	ID-NO.	ID-NO.	ID-NO.	ID-NO.
25/1.0"	2164502	2315814	2315821	2308591
40/1.5"	2164502	2315814	2315821	2308591
50/2.0"	2145897	2315815	2315822	2308591
65/2.5"	2164512	2315816	2315823	2308592
80/3.0"	2164532	2315817	2315824	2308592
100/4.0"	2145912	2315818	2315825	2308592
125	2315813	2315819	2315826	2308593
150/6.0"	2312718	2315820	2315827	2312719

D 640

D 640 - D 641

	Product Side	Product Side	Product Side	Actuator Side
	EPDM	FKM	HNBR	NBR
SIZES	ID-NO.	ID-NO.	ID-NO.	ID-NO.
25/1.0"	2316150	2316151	2316152	2308591
40/1.5"	2316150	2316151	2316152	2308591
50/2.0"	2316153	2316154	2316155	2308592
65/2.5"	2316156	2316157	2316158	2308592
80/3.0"	2316159	2316160	2316161	2308593
100/4.0"	2316162	2316163	2316164	2308593
125	2315829	2146601	2168599	2167544

D 650

D 650 -D 658

	Product Side	Product Side	Product Side	Actuator Side
	EPDM	FKM	HNBR	NBR
SIZES	ID-NO.	ID-NO.	ID-NO.	ID-NO.
25/1.0"	2164337	2315831	2146599	2308591
40/1.5"	2164337	2315831	2146599	2308591
50/2.0"	2161786	2315832	2165028	2308592
65/2.5"	2161816	2315834	2315835	2308592
80/3.0"	2133050	2315836	2315837	2308593
100/4.0"	2132901	2315838	2315839	2308593
125	2167543	2315840	2315841	2167544
150/6.0"	2146639	2315842	2315843	2167544

D 660

D 660 -D 668

	Product Side	Actuator Side
	EPDM	EPDM
SIZES	ID-NO.	ID-NO.
40/1.5"	2166229	2166228
50/2.0"	2166229	2166228
65/2.5"	2166249	2166228
80/3.0"	2166259	2166228
100/4.0"	2133083	2166228
125	2172617	o.r.

DOUBLE SEAT VALVES

DSV COMPLETE

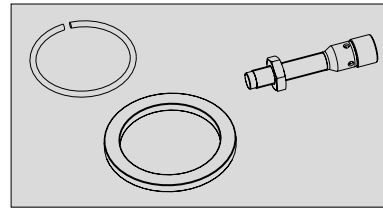
ACCESSORIES

2.1

Mounting Set for Detection of upper Valve Stroke Double Seat Valves

D600 / D620 / D640 / D650 incl. proximity switch M 8x1 round with universal-contact-plug M 12x1

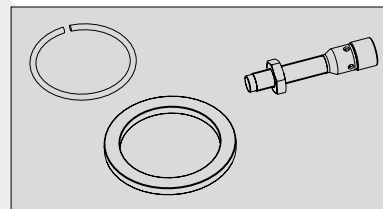
DN	ID-NO.	
25/1.0"	2145790	
40/1.5"	2145790	
50/2.0"	2310465	
65/2.5"	2310466	
80/3.0"	2310467	
100/4.0"	2310473	



Mounting Set for Detection of upper Valve Stroke Double Seat Valves D620

incl. proximity switch M 8x1 round with universal-contact-plug M 12x1

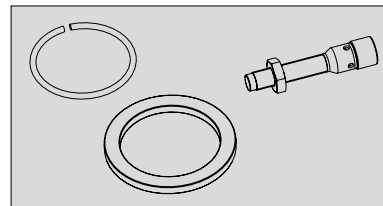
DN	ID-NO.	
125	2145791	
150/6.0"	2145793	



Mounting Set for Double Seat Valves D640 / D650

incl. proximity switch M 8x1 round with universal-contact-plug M 12x1

DN	ID-NO.	
125	2145792	



Clamp for Connection of Valve Housings / Lanterns

SIZES	CLAMP SIZE	ID-NO.	
25/1.0"	3.0"	0034587	
40/1.5"	3.0"	0034587	
50/2.0"	3.0"	0034587	
65/2.5"	3.5"	0036590	
80/3.0"	4.0"	2161086	
100/4.0"	4.8"	2142011	
125	6.625"	2111992	
150/6.0"	8.0"	2130160	



SÜDMO

ASEPTIC PROCESS VALVES

CONTENTS

2.2.2 GENERAL INFORMATION AND TECHNICAL SPECIFICATION

2.2.4 ASEPTIC PROCESS VALVES SECURE

2.2.10 ASEPTIC PROCESS VALVES SECURE ACCESSORIES AND SPARE PARTS

SÜDMO

ASEPTIC PROCESS VALVES SECURE

THE ALL NEW ASEPTIC PROCESS VALVE SERIES SECURE

Based on its many years of experience in valve construction, Südmö offers a comprehensive, refined and mix proof aseptic process valve for use and automation in a wide range of production processes for the food, dairy and beverage industries.

KEY BENEFITS OF THE ASEPTIC MIX PROOF VALVE SERIES SECURE

- High operating pressures up to 10 bar (145 psi)
- High operating temperatures up to 150 °C (302 °F)
- Easy to clean and sterilize
- Self drainable, sump and dome free
- Easy maintenance - simple seal replacement
- Leak detection
- Feedback of all valve positions



Shut-off valves:

Aseptic Valves SVP Select with P³-Diaphragm and O-Ring

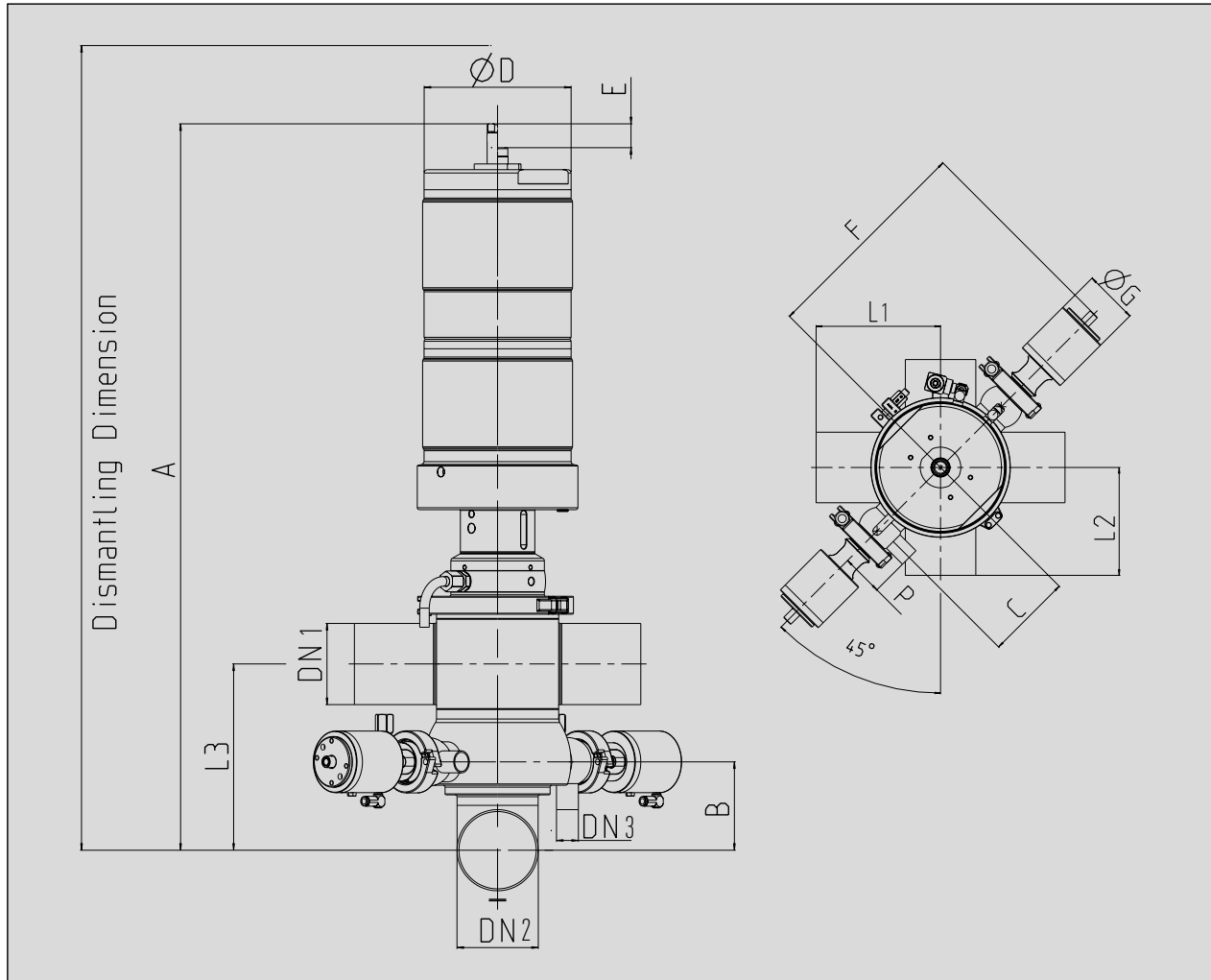


TECHNICAL SPECIFICATION	
Materials	Product wetted parts 1.4404 (AISI 316 L)
	Optional Other materials on request
	Parts not product wetted 1.4301 (AISI 304), 1.4307 (AISI 304 L)
Sealing Elements	Sealing materials (FDA) EPDM (standard), HNBR, FKM
Temperatures	Continuous operating temperature EPDM 130° C / 266° F*
	Sterilization temperature EPDM 150° C / 302° F* (approx. 20 min.)
Pressures	Operating pressure
	DN 50 max. 10 bar 145 psi
	DN 65 max. 10 bar 145 psi
	DN 80 max. 8 bar 116 psi
	DN 100 max. 8 bar 116 psi
Control pressure 6 - 8 bar 87-116 psi	
Surfaces	Product wetted surfaces Ra ≤ 0,8 µm
	Surfaces not product wetted Bright-turned, Ra ≤ 1,6 µm
	Optional Product wetted surfaces e-polished, higher quality surfaces on request
Connections	Standard Welding ends for pipes acc. to DIN 11850 series 2 (DIN 11866 series A) and OD-tube (ASTM A270, DIN 11866 series C, ASME BPE-2009)
	Optional Other tube diameters on request

* Depending on operating parameters and sealing materials

ASEPTIC PROCESS VALVES SECURE

2.2

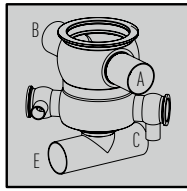


A 804 SECURE

METRIC																	
DN1	DN2	TUBE	DN3	TUBE	A	B	C	ØD	E	F	ØG	L1	L2	L3	P	AM	KG
50	50	Ø53 X 1.5	20	Ø23 X 1.5	702	73	89.8	154	22	248	64.5	120	78	155	860	40.5	
65	65	Ø70 X 2.0	20	Ø23 X 1.5	730	85	92.4	154	22	251	64.5	120	100	175	900	41.6	
80	80	Ø85 X 2.0	20	Ø23 X 1.5	761	92.5	103.4	154	25	261.5	64.5	150	125	195	950	45.5	
100	100	Ø104 X 2.0	20	Ø23 X 1.5	790	103	103.4	154	25	261.5	64.5	175	150	215	995	47.0	

OD-TUBE																	
DN1	DN2	TUBE	DN3	TUBE	A	B	C	ØD	E	F	ØG	L1	L2	L3	P	AM	KG
2.0"	2.0"	Ø50.80 X 1.65			699	69.3	89.8	154	22	248	64.5	120	70	150	860	40.5	
2.5"	2.5"	Ø63.50 X 1.65			723	77.9	92.4	154	22	251	64.5	120	78	165	900	41.2	
3.0"	3.0"	Ø76.20 X 1.65			754.7	86.6	103.4	154	25	261.5	64.5	150	84	185	950	45.5	
4.0"	4.0"	Ø101.60 X 2.11			786.4	99.3	103.4	154	25	261.5	64.5	175	102	210	995	47.0	





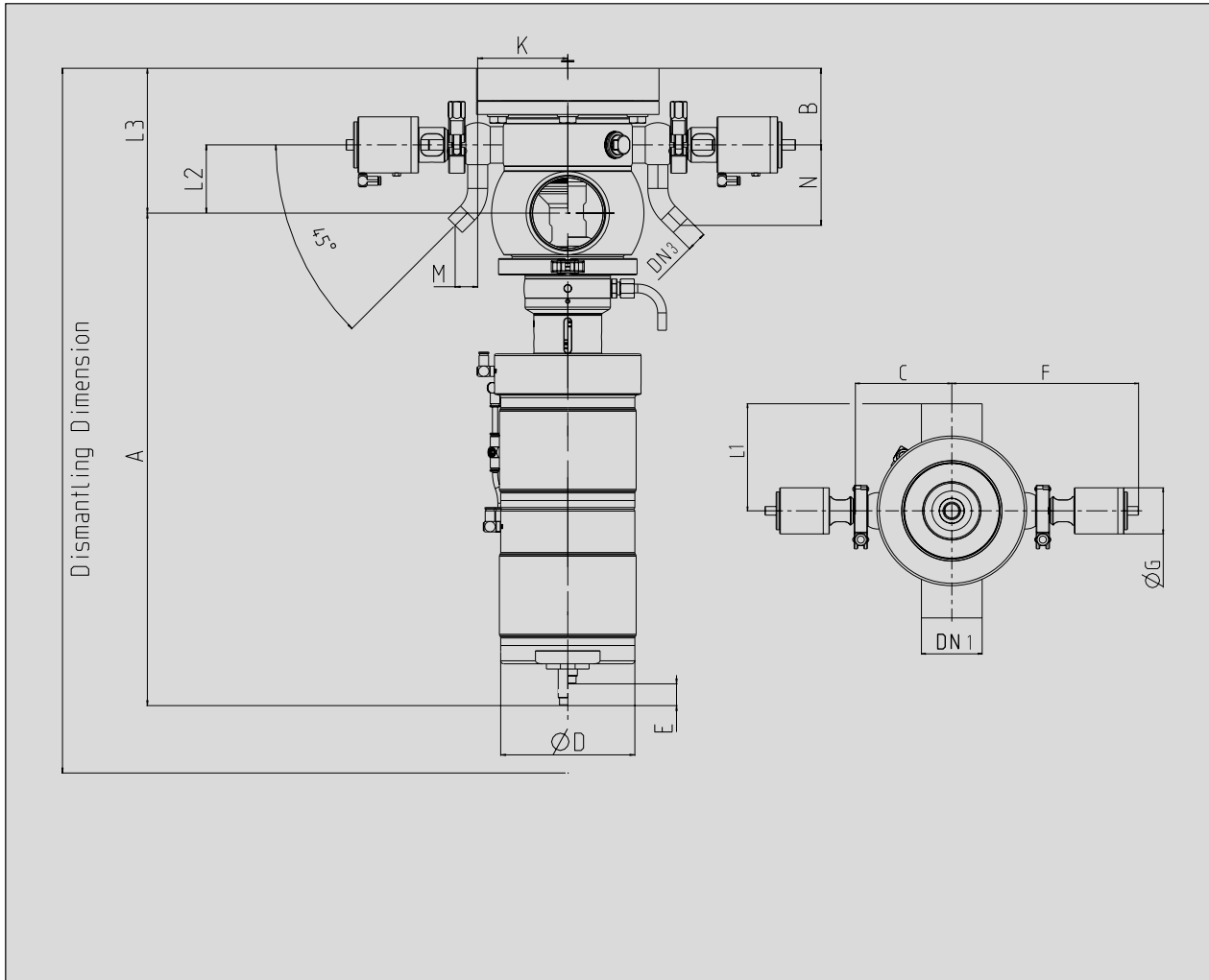
ASEPTIC PROCESS VALVE SECURE with T-Piece

A 804 Secure

METRIC	ID-NO.	OD-TUBE	ID-NO.
DN050	2167665	DN2.0"	2323501
DN065	2167645	DN2.5"	2323502
DN080	2315715	DN3.0"	2323503
DN100	2323500	DN4.0"	2323504

ASEPTIC PROCESS VALVES SECURE

2.2

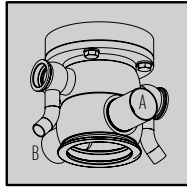


A 841 SECURE

METRIC		DN3	TUBE	A	B	C	ØD	E	F	ØG	K	L1	L2	L3	M	N	AM	KG
50	Ø53 X 1.5	20	Ø23 X 1.5	547	82	115.7	154	22	248	64.5	89.8	120	59.9	141.9			852	45.0
65	Ø70 X 2.0	20	Ø23 X 1.5	555	82.5	118.3	154	22	250.5	64.5	92.5	120	66.9	149.4			883	47.0
80	Ø85 X 2.0	20	Ø23 X 1.5	566	88	129.3	154	25	261.4	64.5	103.4	150	78.4	166.4			932	54.0
100	Ø104 X 2.0	20	Ø23 X 1.5	575	88	129.3	154	25	261.4	64.5	103.4	175	93.9	181.9			977	55.0

OD-TUBE		DN3	TUBE	A	B	C	ØD	E	F	ØG	K	L1	L2	L3	M	N	AM	KG
2.0"	Ø50.80 X 1.65			546	82	115.7	154	22	248	64.5	89.8	120	61.2	143.2			852	45.0
2.5"	Ø63.50 X 1.65			552	82.5	118.3	154	22	250.5	64.5	92.5	120	69.8	152.3			883	47.0
3.0"	Ø76.20 X 1.65			562	88	129.3	154	25	261.4	64.5	103.4	150	82.5	170.5			932	54.0
4.0"	Ø101.60 X 2.11			574	88	129.3	154	25	261.4	64.5	103.4	175	95.2	183.2			977	55.0





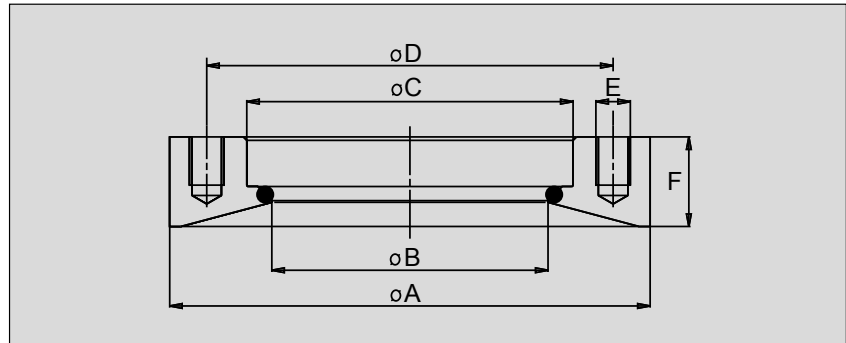
ASEPTIC PROCESS VALVE SECURE Bottom Valve

A 841 Secure

METRIC	ID-NO.	OD-TUBE	ID-NO.
DN050	2322382	DN2.0"	2323513
DN065	2322383	DN2.5"	2323514
DN080	2322384	DN3.0"	2323515
DN100	2323512	DN4.0"	2323516

Please order separately:

Weld-In Flange for Bottom Seat Valves
Z 2000/Select B 1.4404 (AISI 316L) APZ 3.1

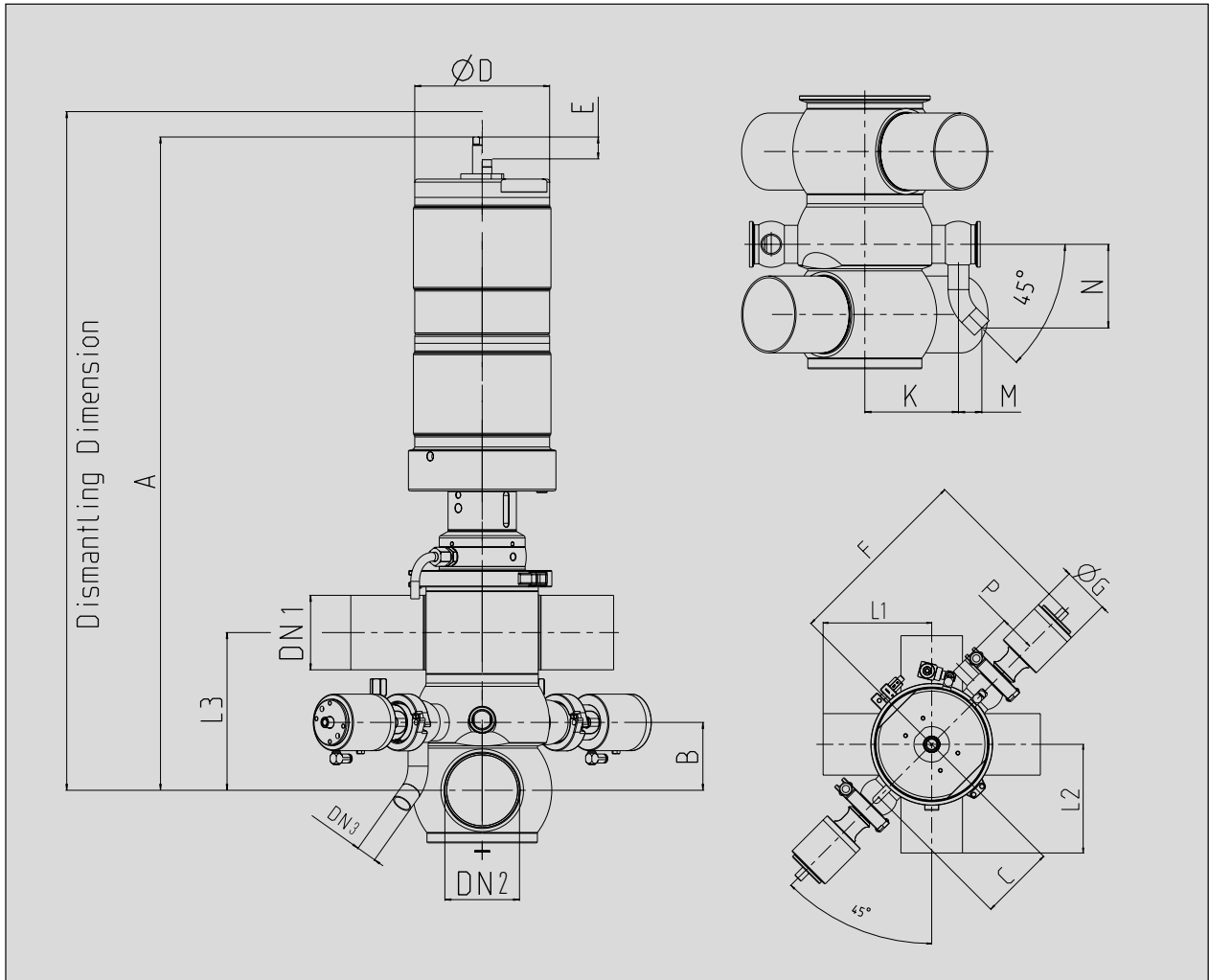


N.b.: Weld-In Flange Z 2000/Select B is not compatible to the valve range AS-DSV Modell 2010 and other previous models.

SIZES	ØA	ØB	ØC	ØD	E	F	ID-NO.
DN 50/2.0"	169.5	98.1	114.75	143	4 x M12	30	2123268
DN 65/2.5"	179.5	114.5	129.80	156	4 x M12	35	2123270
DN 80/3.0"	209.5	140.5	159.80	185	6 x M12	37	2123297
DN 100/4.0"	209.5	140.5	159.80	185	6 x M12	37	2123297

ASEPTIC PROCESS VALVES SECURE

2.2

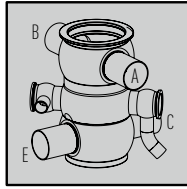


A 874 SECURE

METRIC			DN3	TUBE	A	B	C	ØD	E	F	ØG	K	L1	L2	L3	M	N	P	AM	KG
50	50	Ø53 X 1.5	20	Ø23 X 1.5	687	58	89.8	154	22	247.8	64.5	89.8	120	120	140				835	46.0
65	65	Ø70 X 2.0	20	Ø23 X 1.5	715	70	92.4	154	22	250.5	64.5	92.4	120	120	160				878	47.0
80	80	Ø85 X 2.0	20	Ø23 X 1.5	746	77.5	103.4	154	25	261.4	64.5	103.4	150	150	180				925	53.0

OD-TUBE			DN3	TUBE	A	B	C	ØD	E	F	ØG	K	L1	L2	L3	M	N	P	AM	KG
2.0"	2.0"	Ø50.80 X 1.65			683	54.2	89.8	154	22	247.8	64.5	89.8	120	120	135				835	46.0
2.5"	2.5"	Ø63.50 X 1.65			708	62.9	92.4	154	22	250.5	64.5	92.4	120	120	150				878	47.0
3.0"	3.0"	Ø76.20 X 1.65			740	71.6	103.4	154	25	261.4	64.5	103.4	150	150	170				925	53.0





ASEPTIC PROCESS VALVE SECURE with 3-Ball Housing

A 874 Secure

METRIC	ID-NO.	OD-TUBE	ID-NO.
DN050	2323505	DN2.0"	2323508
DN065	2323506	DN2.5"	2323509
DN080	2319035	DN3.0"	2323510

Interchangeable Inserts for Aseptic Process Valve Secure, Main Valve

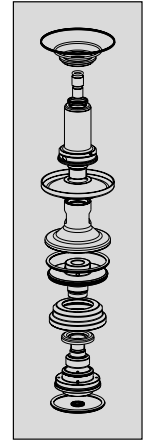
Material: 1.4404
(AISI 316 L) / EPDM

A 804
DSV with T-Piece

A 841
DSV Bottom Valve

A 874
DSV 3-Ball Housing

SIZES	ID-NO.	ID-NO.	ID-NO.
50 / 2.0"	2146998	2172749	2146998
65 / 2.5"	2172749	2146999	2172749
80 / 3.0"	2172750	2147000	2172750
100 / 4.0"	2147000	2147001	2147000



Product Side

A 800 / 870

Sets of Seals for Aseptic Process Valve Secure, Main Valve



SIZES	EPDM without diaphragm	HNBR without diaphragm	FKM without diaphragm	P ³ Diaphragm for lower valve disc	P ³ Diaphragm for closing sleeve
50/2.0"	2167648	2173470	2173471	2165788	2146460
65/2.5"	2167648	2173470	2173471	2165788	2146460
80/3.0"	2315938	2173476	2173477	2165788	2165787
100/4.0"	2315938	2173476	2173477	2165788	2165787

A 840

SIZES	EPDM without diaphragm	HNBR without diaphragm	FKM without diaphragm	P ³ Diaphragm for lower valve disc	P ³ Diaphragm for closing sleeve
50/2.0"	2173091	2173472	2173473	2165788	2146460
65/2.5"	2173114	2173474	2173475	2165788	2146460
80/3.0"	2172781	2173478	2173479	2165788	2165787
100/4.0"	2173482	2173480	2173481	2165788	2165787

Actuator Side

A 800 - 870

NBR

SIZES	ID-NO.
50-100 / 2.0"-4.0"	2315939





Sets of Seals for Aseptic Process Valve Secure,
for the CIP/SIP-Safety Space,
Shut-off Valve Select A 385 D

Product Side

EPDM without diaphragm		HNBR without diaphragm		FKM without diaphragm		p ³ Diaphragm	
SIZES/NENNWEITEN	ID-NO.	ID-NO.	ID-NO.	ID-NO.	ID-NO.		
20 / 0.75"	2144109	2144112	2144111	2144053	25,80 €		

Actuator Side

NBR
ID-NO.
2146871

Mounting Set for Aseptic Process Valves Secure

(Detection of Upper Lift Stroke)

incl. proximity switch M 8x1 round
with universal-contact-plug M 12x1

ID-NO.

2173666



Temperature Sensor

incl. Adapter

ID-NO.

2320806



Heat Transfer Paste

for Temperature Sensor

ID-NO.

2173712

/PREIS



SÜDMO

SD ECONOMIC DOUBLE SEAL VALVES

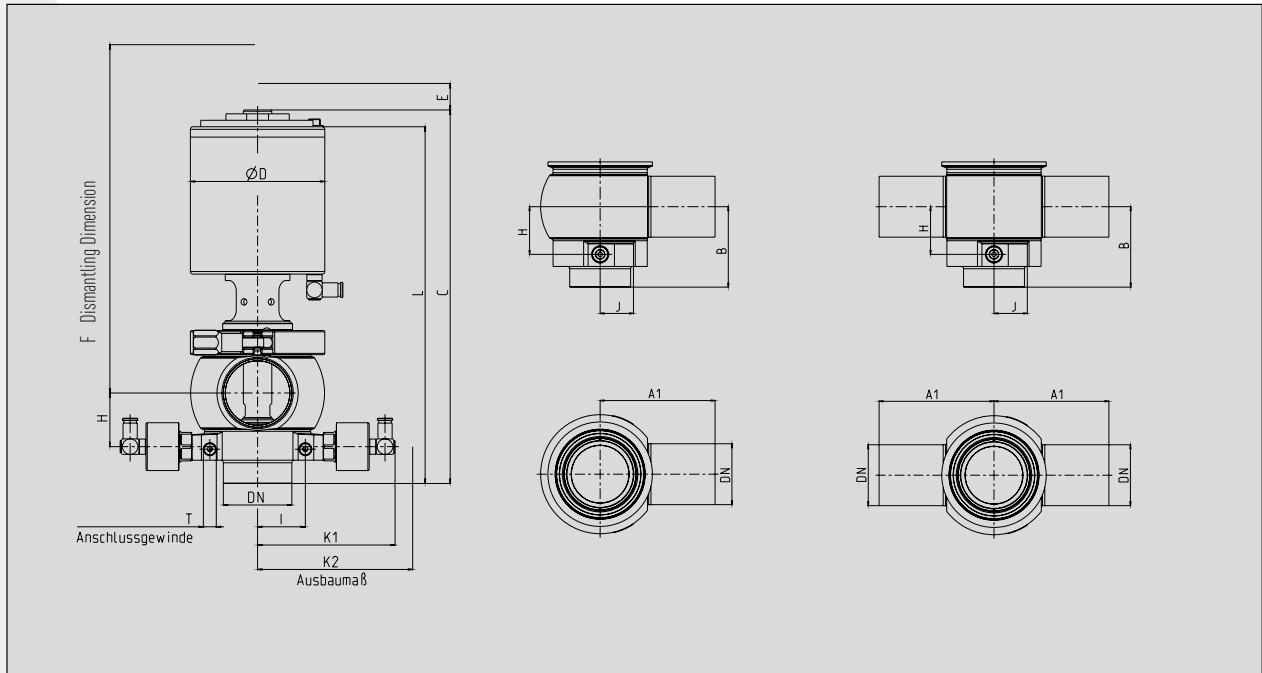
CONTENTS

2.3.2 SD ECONOMIC VALVES

2.3.4 SD ECONOMIC VALVES ACCESSORIES AND SPARE PARTS

SD ECONOMIC DOUBLE SEAL VALVES

2.3



Right Angle Valve
2 x welding ends

Double Right Angle Valve
3 x welding ends

SD 370	SD 371
--------	--------

METRIC		A1	A2	B	C	ØD	E	F	G	H	I	J	K1	K2	L	T	KG
DN	TUBE																
25 ¹	Ø29 X 1.5	113	48	76	297	104	23	295	91,5	36	29,2	27	98,6	120	282	G1/8"	6,3
40	Ø41 X 1.5	80	58	60	275	104	23	325	82,5	36	29,2	27	99	120	260	G1/8"	6,2
50	Ø53 X 1.5	100	78	70	289	104	25	345	99,5	41,5	37	29	107	125	276	G1/8"	7,1
65	Ø70 X 2.0	100	100	80	351	129	30	420	119,5	50	49,7	29	120	140	338	G1/8"	11,1
80	Ø85 X 2.0	120	125	90	428	154	40	500	137	57,5	56,2	29	126	145	414,5	G1/8"	15,4
100 ²	Ø104 X 2.0	150	150	100	604	154	40	700	157,5	70	65,2	29	135	155	579	G1/8"	20,9
125	Ø129 X 2.0	200	180	125	552	204	50	650	198,5	82,5	90,2	29	160	180	523,5	G1/8"	42
150	Ø154 X 2.0	200	220	150,5	590	204	50	710	240	98,5	102,7	29	172	190	561,5	G1/8"	49,2

OD-TUBE		A1	A2	B	C	ØD	E	F	G	H	I	J	K1	K2	L	T	KG
DN	TUBE / ROHR																
1.1" ¹	Ø25.4 X 1.65	114,9	52	71,5	294,4	104	19,8	300	85,2	28,1	29,2	27	99	120	276,2	G1/8"	6,3
1.5"	Ø38.1 X 1.65	80	58	55	272	104	20	325	75,6	36,4	29,2	27	99	120	253,4	G1/8"	6,2
2.0"	Ø50.8 X 1.65	100	70	65	284	104	25	345	93,4	41,25	37	29	107	125	269,8	G1/8"	7,1
2.5"	Ø63.5 X 1.65	100	78	70	338	129	30	405	104,8	47,1	49,7	29	120	140	325,1	G1/8"	10,9
3.0"	Ø76.2 X 1.65	120	84	80	414	154	40	470	122,6	53,4	56,2	29	126	145	400,4	G1/8"	14,9
4.0" ²	Ø101.6 X 2.11	150	102	90	595	154	38,5	700	146,3	67,7	65,2	29	135	155	567,7	G1/8"	20,7
6.0"	Ø152.4 X 2.77	175	140	150	756,7	204	47	710	239,6	96,9	102,7	29	172	190	559,5	G1/8"	49,2

¹ Size 40/1.5" exentric reduced

¹ Nennweite 40/1,5" exzentrisch reduziert

² Standard with booster size II (dismantling dimensions already considered).

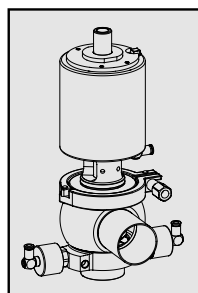
² Serienmäßig mit Luftkraftverstärker Gr. II (Ausbaumaße berücksichtigt).



SD ECONOMIC DOUBLE SEAL VALVES

TECHNICAL SPEC.		
Materials	Product wetted parts	1.4404 (AISI 316 L) Other materials on request
	Parts not product wetted	1.4301 (AISI 304), 1.4307 (AISI 304 L)
Sealing Elements	Sealing materials (FDA)	EPDM Other sealing materials on request
Temperatures	Continuous operating temperature	EPDM 130° C / 266° F*
	Sterilization temperature	EPDM 150° C / 302° F* (approx. 20 min.)
Pressures	Operating pressure	6 bar (87 psi) / Option: 10 bar (145 psi) - DN25-100 / OD-Tube 1"-4" 6 bar (87 psi) - DN 125 5 bar (72,5psi) - DN 150 / OD-Tube 6"
	Control pressure	Min. 6 bar (87 psi) - max. 8 bar (116 psi)
Surfaces	Product wetted surfaces	Ra ≤ 0,8 µm
Connections	Standard	Welding ends for pipes acc. to DIN 11850 series 2 (DIN 11866 series A) and OD-tube (ASTM A270, DIN 11866 series C, ASME BPE-2009)

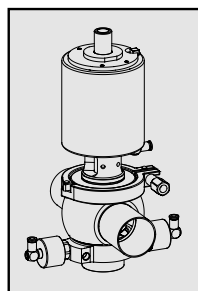
* Depending on operating parameters



SD Economic Double Seal Valve with Right Angle Housing (EPDM)

SD 370

METRIC	ID-NO.	PRICE	OD-TUBE	ID-NO.	PRICE
25	2323541	1.557,00 €	1.0"	2323547	1.557,00 €
40	2323542	1.557,00 €	1.5"	2323569	1.557,00 €
50	2323543	1.622,00 €	2.0"	2323548	1.622,00 €
65	2323544	1.985,00 €	2.5"	2323549	1.985,00 €
80	2323545	2.261,00 €	3.0"	2323570	2.261,00 €
100	2323546	3.027,00 €	4.0"	2323571	3.027,00 €
125	2325032	o.r./a.A.			
150	2325033	o.r./a.A.	6.0"	2325034	o.r./a.A.



SD Economic Double Seal Valve with Double Right Angle Housing (EPDM)

SD 371

METRIC	ID-NO.	PRICE	OD-TUBE	ID-NO.	PRICE
25	2319200	1.633,00 €	1.0"	2323535	1.633,00 €
40	2319201	1.633,00 €	1.5"	2323536	1.633,00 €
50	2319202	1.709,00 €	2.0"	2323537	1.709,00 €
65	2319203	2.073,00 €	2.5"	2323538	2.073,00 €
80	2319204	2.361,00 €	3.0"	2323539	2.361,00 €
100	2319205	3.129,00 €	4.0"	2323540	3.129,00 €
125	2319206	o.r./a.A.			
150	2319207	o.r./a.A.	6.0"	2325035	o.r./a.A.

SD ECONOMIC DOUBLE SEAL VALVES ACCESSORIES / SPARE PARTS

Sets of Seals for SD Economic Double Seal Valves, Product sided + Flushing Valves (SD 370-372 E)

SIZES	EPDM		FKM		HNBR	
	ID-NO.	PRICE	ID-NO.	PRICE	ID-NO.	PRICE
DN 25/1"	2173750		2319640		2319632	
DN 40/1.5"	2173750		2319640		2319632	
DN 50/2.0"	2173751		2319641		2319633	
DN 65/2.5"	2173752		2319642		2319634	
DN 80/3.0"	2173753		2319643		2319635	
DN 100/4.0"	2173754		2319644		2319636	
DN 125	2173755		2319645		2319638	
DN 150/6.0"	2173756		2319646		2319639	

Sets of Seals for SD Economic Double Seal Valves with Steam Barrier, Product sided (SD 370-371 E DS)

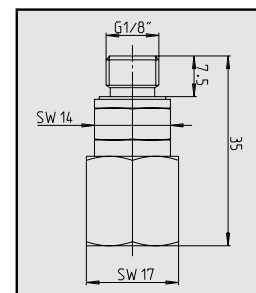
SIZES	EPDM		FKM		HNBR	
	ID-NO.	PRICE	ID-NO.	PRICE	ID-NO.	PRICE
DN 25/1"	o.r./a.A.		o.r./a.A.		o.r./a.A.	
DN 40/1.5"	o.r./a.A.		o.r./a.A.		o.r./a.A.	
DN 50/2.0"	o.r./a.A.		o.r./a.A.		o.r./a.A.	
DN 65/2.5"	o.r./a.A.		o.r./a.A.		o.r./a.A.	
DN 80/3.0"	o.r./a.A.		o.r./a.A.		o.r./a.A.	
DN 100/4.0"	o.r./a.A.		o.r./a.A.		o.r./a.A.	
DN 125	o.r./a.A.		o.r./a.A.		o.r./a.A.	
DN 150/6.0"	o.r./a.A.		o.r./a.A.		o.r./a.A.	

Clamp for Connection of Valve Housings / Lanterns

VALVE SIZE	CLAMP SIZE	ID-NO.	PRICE
25/1"	2.5"	2160091	
40/1.5"	2.5"	2160091	
50/2.0"	3.0"	0034587	
65/2.5"	3.5"	0036590	
80/3.0"	4.0"	0034595	
100/4.0"	5.0"	2132601	
125	6.025"	2160092	
150/6.0"	8.0"	2130160	

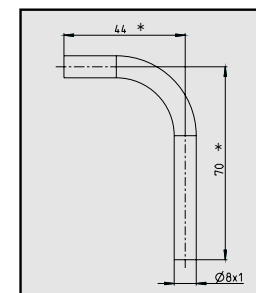
Ermeto Fitting G1/8" Depth of Thread 8,5mm

ID-NO.
2159161



Outlet Elbow D8x1

ID-NO.
2132203



* Other dimensions on request.

Optional: Additional Charge for SD Economic Double Seal Valves with Steam Barrier

SIZES	PRICE
DN 25/1"	
DN 40/1.5"	
DN 50/2.0"	
DN 65/2.5"	
DN 80/3.0"	
DN 100/4.0"	
DN 125	
DN 150/6.0"	



SÜDMO

DOUBLE SEAT VALVES DSV 365IT COMPLETE PMO

CONTENTS

2.4.2 GENERAL INFORMATION AND TECHNICAL SPECIFICATION

2.4.4 DSV 365IT COMPLETE PMO STANDARD

2.4.6 DSV 365IT COMPLETE PMO CHEESE CURD

2.4.8 DSV 365IT COMPLETE PMO BOTTOM VALVE

2.4.10 DSV 365IT COMPLETE PMO FOR RING LINES

2.4.12 DSV 365IT COMPLETE PMO ACCESSORIES AND SPARE PARTS

SÜDMO DSV COMPLETE

DOUBLE SEAT VALVES DSV 365IT COMPLETE PMO

DOUBLE SEAT VALVES DSV 365IT COMPLETE PMO

Dairy processors now have a mix proof valve that does not require a full port leakage chamber.

The 365it Complete PMO* reached the latest 3-A 85-03 acceptance following third party verification for mix proof valve requirements. This is currently the only such valve on the market. Take advantage of the valve's reduced weight and space requirement while experiencing easier handling and maintenance.

Key Features

- Weighs 45 % less*
- Losses 30 % less CIP during lifting*
- Height reduced by 18 %*
- Actuator is 14 % smaller*

* COMPARED TO PREVIOUS MODEL



SÜDMO DSV COMPLETE

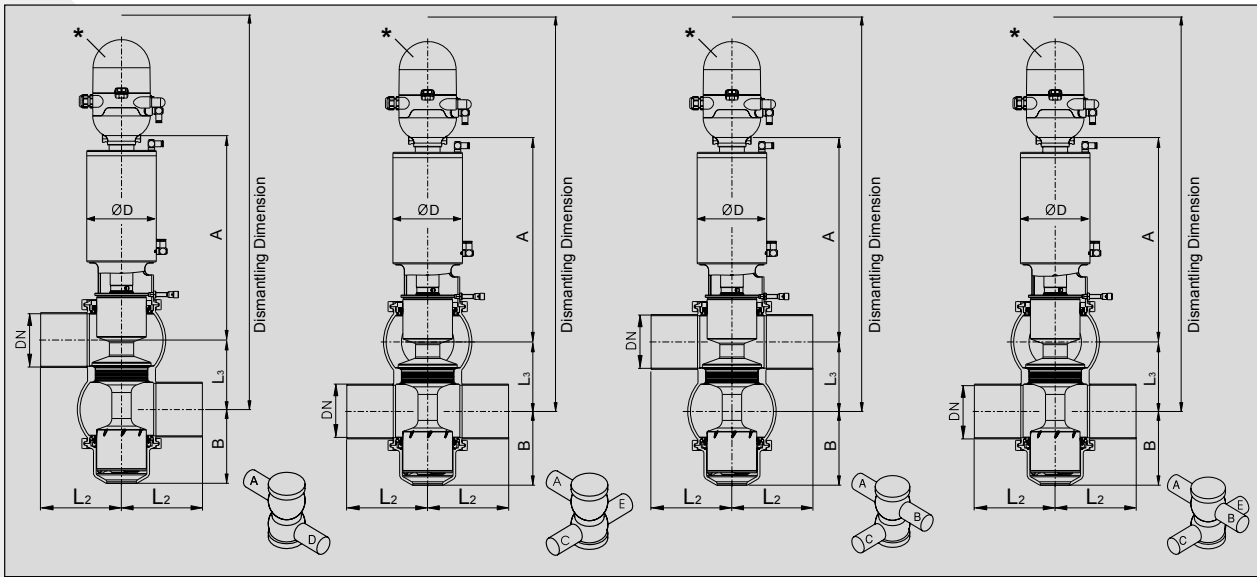
DOUBLE SEAT VALVES DSV 365IT COMPLETE PMO

TECHNICAL SPECIFICATION	
Materials	Product wetted parts 1.4404 (AISI 316 L)
	Optional 1.4435 (AISI 316 L) Other materials on request
	Parts not product wetted 1.4301 (AISI 304), 1.4307 (AISI 304 L)
Sealing Elements	Sealing materials (FDA) EPDM Other sealing materials on request
Temperatures	Continuous operating temperature EPDM 130° C / 266° F*
	Sterilization temperature EPDM 150° C / 302° F* (approx. 20 min.)
Pressures	Operating pressure 10 bar (145 psi)
	Control pressure Min. 6 bar (87 psi) - max. 8 bar (116 psi)
Surfaces	Product wetted surfaces Ra ≤ 0,8 µm
	Surfaces not product wetted Bright-turned, Ra 1,6 µm
	Optional Product wetted surfaces e-polished, higher quality surfaces on request
Connections	Standard Welding ends for pipes acc. to DIN 11850 series 2 (DIN 11866 series A) and OD-tube (ASTM A270, DIN 11866 series C, ASME BPE-2009)
	Optional Other tube diameters on request

* Depending on operating parameters

DOUBLE SEAT VALVES DSV 365IT COMPLETE PMO

2.4



3651it 3652it 3653it 3654it

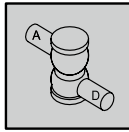
OD-TUBE		A	B	ØD	E (Stroke)	L ₂	L ₃	AM	kg
DN	Tube								
2.0"	Ø50.80 x 1.65	320	99	104	34	100	79	870	13.0
2.5"	Ø63.50 x 1.65	359	112	129	40	100	95	970	18.5
3.0"	Ø76.20 x 1.65	367	117	129	40	120	110	1030	22.7
4.0"	Ø101.60 x 2.11	379	139	129	45	150	129	1120	29.0
6.0"	Ø152.40 x 2.11	490	190	168.3	55	200	180	1440	75.0

LEAKAGE FREE SWITCHING
SEAT LIFTS
DEFLECTOR (PMO-VERSION)
SHAFT FLUSHING OF LOWER VALVE DISC

* IntelliTop 2.0 not scope of supply / Mounting set IntelliTop 2.0 included

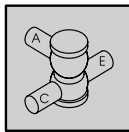


DOUBLE SEAT VALVES DSV 365IT COMPLETE PMO



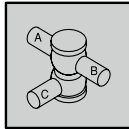
Double Seat Valve (EPDM) DSV 3651it Complete PMO

OD-TUBE	ID-NO.
1.5"	2312300
2.0"	2312301
2.5"	2312302
3.0"	2312303
4.0"	2312304
6.0"	2312305



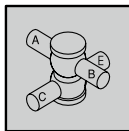
Double Seat Valve (EPDM) DSV 3652it Complete PMO

OD-TUBE	ID-NO.
1.5"	2312306
2.0"	2312307
2.5"	2312308
3.0"	2312309
4.0"	2312310
6.0"	2312311



Double Seat Valve (EPDM) DSV 3653it Complete PMO

OD-TUBE	ID-NO.
1.5"	2312312
2.0"	2312313
2.5"	2312314
3.0"	2312315
4.0"	2312316
6.0"	2312317



Double Seat Valve (EPDM) DSV 3654it Complete PMO

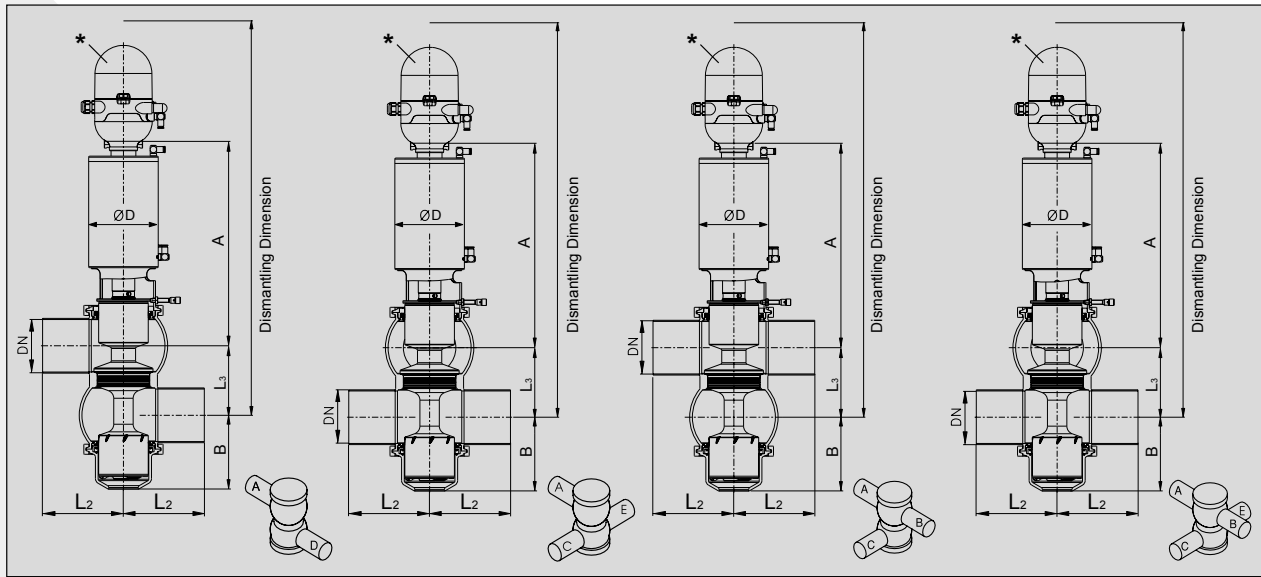
OD-TUBE	ID-NO.
1.5"	2312318
2.0"	2312319
2.5"	2312320
3.0"	2312321
4.0"	2312322
6.0"	2312323

IntelliTop 2.0 not scope of supply / Mounting set IntelliTop 2.0 included

DOUBLE SEAT VALVES

DSV 365IT COMPLETE PMO CHEESE CURD

2.4



3651it Cheese Curd 3652it Cheese Curd 3653it Cheese Curd 3654it Cheese Curd

OD-TUBE		A	B	ØD	E (Stroke)	L ₂	L ₃	AM	kg
DN	Tube								
4.0"	Ø101.60 x 2.11	490	164	168.3	65	200	142	1300	58.2

- LEAKAGE FREE SWITCHING
- SEAT LIFTS
- DEFLECTOR (PMO-VERSION)
- SHAFT FLUSHING OF LOWER VALVE DISC

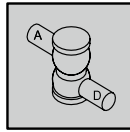
* IntelliTop 2.0 not scope of supply / Mounting set IntelliTop 2.0 included



DOUBLE SEAT VALVES

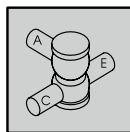
DSV 365IT COMPLETE PMO CHEESE CURD

Double Seat Valve (EPDM) DSV 3651it Complete PMO Cheese Curd



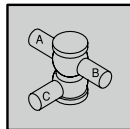
OD-TUBE	ID-NO.
4.0"	2312410

Double Seat Valve (EPDM) DSV 3652it Complete PMO Cheese Curd



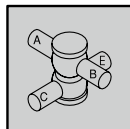
OD-TUBE	ID-NO.
4.0"	2312411

Double Seat Valve (EPDM) DSV 3653it Complete PMO Cheese Curd



OD-TUBE	ID-NO.
4.0"	2312412

Double Seat Valve (EPDM) DSV 3654it Complete PMO Cheese Curd

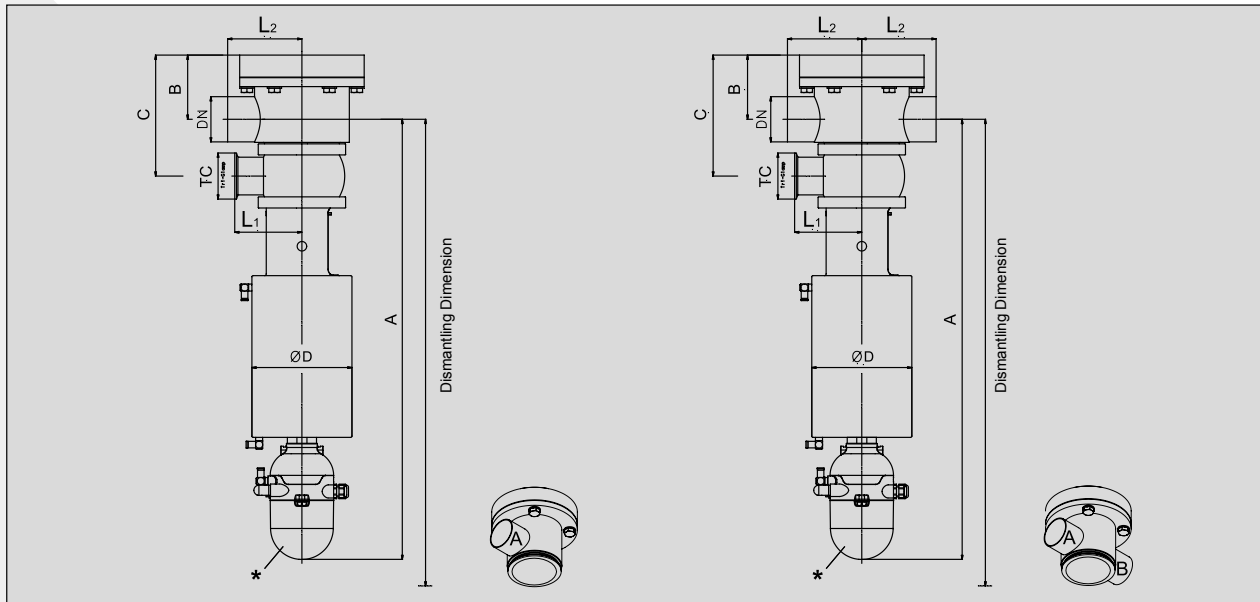


OD-TUBE	ID-NO.
4.0"	2312413

IntelliTop 2.0 not scope of supply / Mounting set IntelliTop 2.0 included

DOUBLE SEAT BOTTOM VALVES D365IT TO COMPLETE PMO / D640

2.4



D365it TO Complete PMO / D640	D365it TO Complete PMO / D641
--------------------------------------	--------------------------------------

OD-TUBE											
DN	Tube	A	B	C	ØD	E (Stroke)	L ₁	L ₂	TC	AM	kg
2.0"	Ø50.80 X 1.65	610	85.7	166	129	35	75	100	1.5"	850	21.8
2.5"	Ø63.50 X 1.65	619	95.8	179	129	40	83	120	2.0"	900	25.0
3.0"	Ø76.20 X 1.65	748	108	204	168.3	42	95	125	2.5"	1000	37.6
4.0"	Ø101.60 X 2.11	880	171.4	300	168.3	55	113	180	3.0"	1350	84.6
6.0"	Ø152.40 X 2.11	921	199.2	364	204	55	142	200	4.0"	1500	136.0

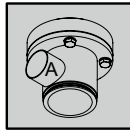
OPERATING PRESSURE MAX. 4 BAR TANK SIDE / 6 BAR PIPELINE
LEAKAGE FREE SWITCHING
SEAT LIFTS
DEFLECTOR (PMO-VERSION)

* IntelliTop 2.0 not scope of supply / Mounting set IntelliTop 2.0 included



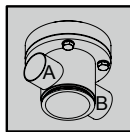
DOUBLE SEAT BOTTOM VALVES

D365IT TO COMPLETE PMO / D640



Double Seat Bottom Valve (EPDM) D365it TO Complete PMO / D640

OD-TUBE	ID-NO.
2.0"	2312324
2.5"	2312325
3.0"	2312326
4.0"	2312327
6.0"	2312328



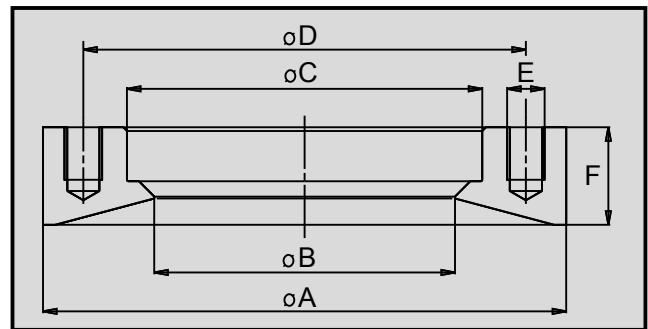
Double Seat Bottom Valve (EPDM) D365it TO Complete PMO / D641

OD-TUBE	ID-NO.
2.0"	2312400
2.5"	2312401
3.0"	2309435
4.0"	2312402
6.0"	2312403

IntelliTop 2.0 not scope of supply / Mounting set IntelliTop 2.0 included

Please order separately:
Weld-In Flange for Double Seat Bottom Valve DSV Complete PMO

Z 2000/Select B 1.4404 [AISI 316L] APZ 3.1

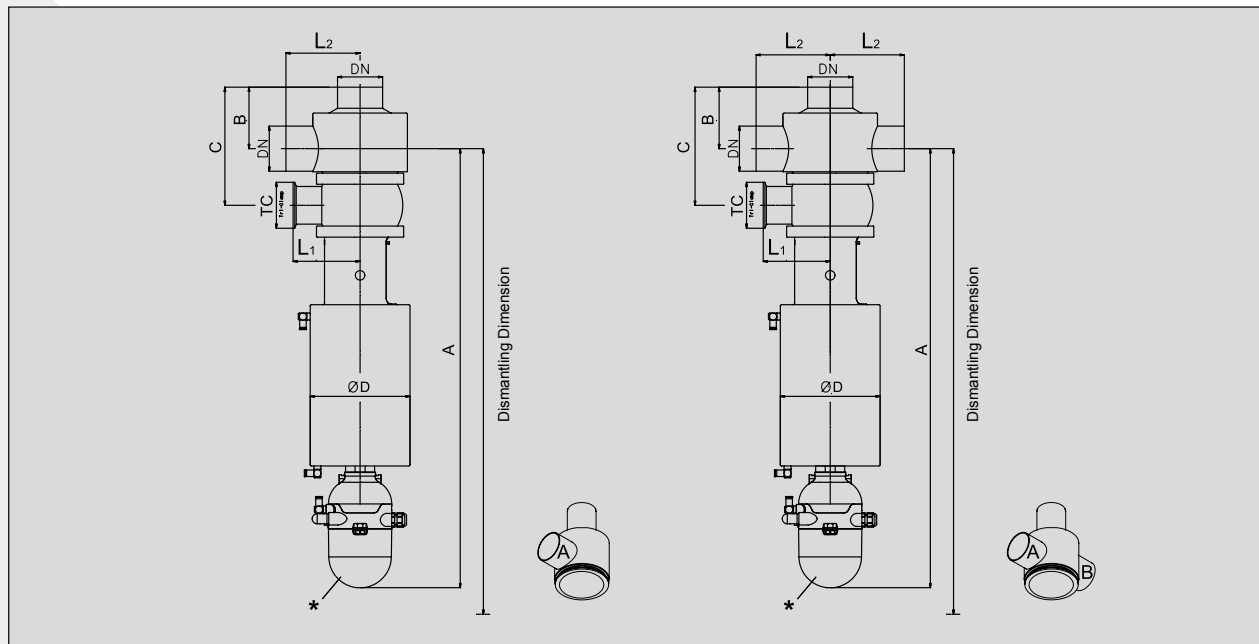


SIZES	ØA	ØB	ØC	ØD	E	F	ID-NO.
2"	169,5	98,1	114,75	143	4xM12	30	2123268
2,5"	179,5	114,5	129,8	156	4xM12	35	2123270
3"	209,5	140,5	159,8	185	6xM12	37	2123297
4"	308	188	229,5	255	4xM16	50	2301848
6"	369	231,1	292,5	369	6xM12	50	o.r.

DOUBLE SEAT RIGHT ANGLE VALVES FOR RING LINES

D365IT COMPLETE PMO / D650

2.4



D365it Complete PMO / D650 **D365it Complete PMO / D651**

OD-TUBE		A	B	C	ØD	E (Stroke)	L ₁	L ₂	TC	AM	kg
2.0"	Ø50.80 x 1.65	610	75.5	155.6	129	35	75	100	1.5"	850	19.0
2.5"	Ø63.50 x 1.65	619	85.4	166.3	129	40	83	120	2.0"	900	20.8
3.0"	Ø76.20 x 1.65	748	103.7	199.2	168.3	42	95	125	2.5"	1000	30.0
4.0"	Ø101.60 x 2.11	880	124	252.1	168.3	55	113	180	3.0"	1350	67.7
6.0"	Ø152.40 x 2.11	921	164.1	329.2	204	55	142	200	4.0"	1500	98.5

- OPERATING PRESSURE MAX. 6 BAR PIPELINE
- LEAKAGE FREE SWITCHING
- SEAT LIFTS
- DEFLECTOR (PMO-VERSION)

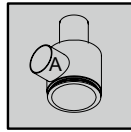
* IntelliTop 2.0 not scope of supply / Mounting set IntelliTop 2.0 included



DOUBLE SEAT RIGHT ANGLE VALVES FOR RING LINES

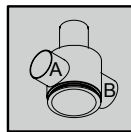
D365IT COMPLETE PMO / D650

Double Seat Right Angle Valve (EPDM) D365it Complete PMO / D650



OD-TUBE	ID-NO.
2.0"	2312329
2.5"	2312330
3.0"	2312331
4.0"	2312332
6.0"	2312333

Double Seat Double Right Angle Valve (EPDM) D365it Complete PMO / D651



OD-TUBE	ID-NO.
2.0"	2312404
2.5"	2312405
3.0"	2312406
4.0"	2312407
6.0"	2312408

IntelliTop 2.0 not scope of supply / Mounting set IntelliTop 2.0 included

DOUBLE SEAT VALVES DSV 365IT COMPLETE PMO
ACCESSORIES / SPARE PARTS

Sets of Seals Product and Actuator sided for Double Seat Valves DSV Complete PMO

D3651it Complete PMO - D3654it Complete PMO

Product Side		Product Side		Product Side	Actuator Side
EPDM		FKM		HNBR	NBR
SIZES	ID-NO.	ID-NO.	ID-NO.	ID-NO.	ID-NO.
1.5"	2132902	2132907	2132912	2308591	2308591
2.0"	2132902	2132907	2132912	2308591	2308591
2.5"	2132903	2132908	2132913	2308592	2308592
3.0"	2132904	2132909	2132914	2308592	2308592
4.0"	2132905	2132910	2132915	2308592	2308592
6.0"	2132906	2132911	2132916	2308593	2308593

D365it Complete PMO Cheese Curd

Product Side		Product Side		Product Side	Actuator Side
EPDM		FKM		HNBR	NBR
SIZES	ID-NO.	ID-NO.	ID-NO.	ID-NO.	ID-NO.
4.0"	2132917	2132918	2132919	2308593	2308593

D365it TO Complete PMO / D640-D641

Product Side		Product Side		Product Side	Actuator Side
EPDM		FKM		HNBR	NBR
SIZES	ID-NO.	ID-NO.	ID-NO.	ID-NO.	ID-NO.
2.0"	2132920	2132922	2132927	2132932	2132932
2.5"	2132826	2132923	2132928	2132932	2132932
3.0"	2132665	2132924	2132929	2132666	2132666
4.0"	2132921	2132925	2132930	2132933	2132933
6.0"	2145274	2132926	2132931	2145273	2145273

D365it Complete PMO / D650-D651

Product Side		Product Side		Product Side	Actuator Side
EPDM		FKM		HNBR	NBR
SIZES	ID-NO.	ID-NO.	ID-NO.	ID-NO.	ID-NO.
2.0"	2167453	2167458	2167463	2132932	2132932
2.5"	2167454	2167459	2167464	2132932	2132932
3.0"	2167455	2167460	2167465	2132666	2132666
4.0"	2167456	2167461	2167466	2132933	2132933
6.0"	2167457	2167462	2167467	2145273	2145273

Clamp for Connection of
Valve Housings / Lanterns

SIZES	CLAMP SIZE	ID-NO.
1.5"	3.0"	0034587
2.0"	3.0"	0034587
2.5"	3.5"	0036590
3.0"	4.0"	0034595
4.0"	6.625"	2142011
6.0"	8.0"	2130160



SÜDMO

SETS OF SEALS FOR DOUBLE SEAT VALVES DSV M1994

2.5

CONTENTS

2.5.2 SETS OF SEALS FOR DOUBLE SEAT VALVES DSV M1994

SETS OF SEALS DSV M1994

Sets of Seals Product and Actuator sided for Double Seat Valves DSV M1994 *

D 600

D 601-D 604

		Product Side	Product Side	Product Side	Actuator Side
		EPDM	FKM	HNBR	NBR
SIZES	ID-NO.	ID-NO.	ID-NO.	ID-NO.	ID-NO.
25/1.0"	2341796	2341797	2341798	2900904	2900904
40/1.5"	2341796	2341797	2341798	2900904	2900904
50/2.0"	2005076	2024201	2340334	2010099	2010099
65/2.5"	2002388	2022109	2008909	2003821	2003821
80/3.0"	2002389	2340037	2340335	2003821	2003821
100/4.0"	2002390	2022110	2027120	2003821	2003821
125	2010101	2142581	2142582	2010100	2010100
150/6.0"	2010780	2342562	2342563	2010100	2010100

D 610

D 611-D 614

		Product Side	Product Side	Product Side	Actuator Side
		EPDM	FKM	HNBR	NBR
SIZES	ID-NO.	ID-NO.	ID-NO.	ID-NO.	ID-NO.
25/1.0"	2302117	2302629	2915359	2014843	2014843
40/1.5"	2302117	2302629	2915359	2014843	2014843
50/2.0"	2004464	2142583	2341146	2009772	2009772
65/2.5"	2019736	2916772	2341148	2003017	2003017
80/3.0"	2019779	2916773	2341147	2003017	2003017
100/4.0"	2010102	2142584	2142585	2003017	2003017
125	2015006	2142586	2142587	2302485	2302485
150/6.0"	2012951	2142588	2142589	2302485	2302485

D 620

D 621-D 624

		Product Side	Product Side	Product Side	Actuator Side
		EPDM	FKM	HNBR	NBR
SIZES	ID-NO.	ID-NO.	ID-NO.	ID-NO.	ID-NO.
25/1.0"	2029831	2014098	2340333	2900906	2900906
40/1.5"	2029831	2014098	2340333	2900906	2900906
50/2.0"	2005076	2024201	2340334	2901025	2901025
65/2.5"	2002388	2022109	2008909	2007717	2007717
80/3.0"	2002389	2340037	2340335	2007717	2007717
100/4.0"	2002390	2022110	2027120	2007717	2007717
125	2028774	2142953	2142957	2017793	2017793
150/6.0"	2009132	2142954	2142958	2017793	2017793

D 630

D 631-D 634

		Product Side	Product Side	Product Side	Actuator Side
		EPDM	FKM	HNBR	NBR
SIZES	ID-NO.	ID-NO.	ID-NO.	ID-NO.	ID-NO.
25/1.0"	2021879	2302629	2915359	2014843	2014843
40/1.5"	2021879	2302629	2915359	2014843	2014843
50/2.0"	2004464	2142583	2341146	2009772	2009772
65/2.5"	2019736	2916772	2341148	2003017	2003017
80/3.0"	2019779	2916773	2341147	2003017	2003017
100/4.0"	2010102	2142584	2142585	2003017	2003017
125	2142951	2142955	2142959	2302485	2302485
150/6.0"	2142952	2142956	2142960	2302485	2302485

* Attention: Sets of Seals are not compatible with Double Seat Valves DSV Complete



Sets of Seals Product and Actuator sided for Double Seat Valves DSV M1994 *

D 620S-sp

D 621S-Sp - D 624S-Sp

		Product Side	Product Side	Product Side	Actuator Side
		EPDM	FKM	HNBR	NBR
SIZES	ID-NO.	ID-NO.	ID-NO.	ID-NO.	ID-NO.
25/1.0"	2140873	2142593	2142593	2009143	2900906
40/1.5"	2140873	2142593	2142593	2009143	2901025
50/2.0"	2010103	2142594	2142594	2340279	2901025
65/2.5"	2901017	2142595	2142595	2340280	2007717
80/3.0"	2901018	2142596	2142596	2340281	2007717
100/4.0"	2019770	2142597	2142597	2009144	2028775
125	2901019	2142598	2142598	2142600	2017793
150/6.0"	2017794	2142599	2142599	2142601	2017793

D 621U

D 621U

		Product Side	Product Side	Product Side	Actuator Side
		EPDM	FKM	HNBR	NBR
SIZES	ID-NO.	ID-NO.	ID-NO.	ID-NO.	ID-NO.
25/1.0"	2901014	2142602	2142602	2142603	2900906
40/1.5"	2901014	2142602	2142602	2142603	2900906
50/2.0"	2010196	2009229	2009229	2142604	2901025
65/2.5"	2017509	2142605	2142605	2142606	2007717
80/3.0"	2017236	2142607	2142607	2142608	2007717
100/4.0"	2002391	2142609	2142609	2142610	2007717
125	2901015	2142611	2142611	2142612	2017793
150/6.0"	2900928	2142613	2142613	2142614	2017793

D 640

D 640-D 641

		Product Side	Product Side	Product Side	Actuator Side
		EPDM	FKM	HNBR	NBR
SIZES	ID-NO.	ID-NO.	ID-NO.	ID-NO.	ID-NO.
40/1.5"	2010205	2142615	2142615	2142616	2016577
50/2.0"	2010205	2142615	2142615	2142616	2016577
65/2.5"	2012952	2142626	2142626	2132298	2901181
80/3.0"	2131724	2142627	2142627	2131725	2901183
100/4.0"	2901178	2142628	2142628	2918081	2901183

D 650

D 650-651 D 657-658

		Product Side	Product Side	Product Side	Actuator Side
		EPDM	FKM	HNBR	NBR
SIZES	ID-NO.	ID-NO.	ID-NO.	ID-NO.	ID-NO.
50/2.0"	2131726	2142651	2142651	2142657	2016577
65/2.5"	2131727	2142652	2142652	2142656	2901181
80	2131728	2142644	2142644	2142645	2901183
3.0"	2142650	2142653	2142653	2142655	2901183
100/4.0"	2131729	2142654	2142654	2342633	2901183

D 660

D 660-D 661

		Product Side	Product Side	Product Side	Actuator Side
		EPDM	FKM	HNBR	NBR
SIZES	ID-NO.	ID-NO.	ID-NO.	ID-NO.	ID-NO.
40/1.5"	2916923	2142632	2142632	2142638	2916925
50/2.0"	2142631	2142633	2142633	2142639	2142629
65/2.5"	2916924	2142634	2142634	2142640	2916926
80/3.0"	2026110	2142635	2142635	2142641	2916926
100/4.0"	2026111	2142636	2142636	2142642	2026113

* Attention: Sets of Seals are not compatible with Double Seat Valves DSV Complete

Clamp for Connection of Valve Housings / Lanterns

VALVE SIZE	CLAMP SIZE	ID-NO.	
25/1.0"	3.0"	0034587	
40/1.5"	3.0"	0034587	
50/2.0"	3.0"	0034587	
65/2.5"	3.5"	0036590	
80/3.0"	4.0"	2161086	
100/4.0"	4.8"	2142011	
125	6.625"	2111992	
150/6.0"	8.0"	2130160	

2.5



SÜDMO

SETS OF SEALS FOR ASEPTIC PROCESS VALVES M2010

2.6

CONTENTS

2.6.2 SETS OF SEALS FOR ASEPTIC PROCESS VALVES M2010

ASEPTIC PROCESS VALVES M2010

SPARE PARTS

2.6

Sets of Seals for Aseptic Process Valve M2010, Main Valve



Product Side

A 800 M2010

1.4404 (AISI 316 L) / EPDM Metal-Bellow incl. Gaskets	EPDM without Metal Bellow
--	------------------------------

SIZES	ID-NO.		ID-NO.	
50 / 2.0"	2029785	824,00 €	2005489	64,00 €
65 / 2.6"	2029786	883,00 €	2013274	93,00 €
80 / 3.0"	2029787	942,00 €	2005622	99,00 €
100 / 4.0"	2300978	1060,00 €	2300977	117,00 €

Actuator Side

A 800 M2010

NBR

SIZES	ID-NO.	
50 / 2.0"	2005490	52,00 €
65 / 2.6"	2013275	64,00 €
80 / 3.0"	2005623	75,00 €
100 / 4.0"	2340951	93,00 €

Sets of Seals for Aseptic Process Valve M2010, for the CIP/SIP-Safety Space, Shut-off Valve Select A 380 D-E

Product Side

EPDM	P ³ Diaphragm	cpl. Insert
------	-----------------------------	-------------

SIZES	ID-NO.	ID-NO.	ID-NO.
DN 20	2144109	2144053	2309978

Actuator Side

NBR

SIZES	ID-NO.
DN 20	2146871



SÜDMO

SETS OF SEALS FOR SD M2000 DOUBLE SEAL VALVES

CONTENTS

2.7.2 SETS OF SEALS FOR SD M2000 DOUBLE SEAL VALVES

SD M2000 DOUBLE SEAL VALVES

ACCESSORIES / SPARE PARTS

Sets of Seals for SD M2000 Double Seal Valves, product sided (SD 370-372 E)

SIZES	EPDM		FKM		HNBR	
	ID-NO.		ID-NO.		ID-NO.	
DN 40/1.5"	2341106	44,80	2142829	134,40	2142832	89,60
DN 50/2.0"/ISO40	2130426	47,20	2142830	141,60	2142833	94,40
DN 65/2.5"/ISO 50	2130427	49,50	2341545	148,50	2142834	99,00 €
DN 80/3.0"/ISO 65	2130428	53,10	2341544	159,30	2142835	106,20
DN 100/4.0"/ISO 80	2130429	56,60	2142831	169,80	2342634	113,20

Sets of Seals for SD M2000 Double Seal Valves with Steam Barrier, product sided (SD 370-372 E DS)

SIZES	EPDM		FKM		HNBR	
	ID-NO.		ID-NO.		ID-NO.	
DN 40/1.5"	2320981	59,00 €	2320987	177,00 €	2320993	
DN 50/2.0"/ISO40	2320982	61,30	2320988	183,90	2320994	
DN 65/2.5"/ISO 50	2320983	63,70	2320989	191,10	2320995	
DN 80/3.0"/ISO 65	2320984	67,20	2320990	201,60	2320996	
DN 100/4.0"/ISO 80	2320985	70,80	2320991	212,40	2320997	

Sets of Seals for SD M2000 Double Seal Valves, Actuator sided

SIZES	NBR	
	ID-NO.	
DN 40/1.5"	2129340	
DN 50/2.0"/ISO40	2129340	
DN 65/2.5"/ISO 50	2129340	
DN 80/3.0"/ISO 65	2129340	
DN 100/4.0"/ISO 80	2129340	

Clamp for Connection of Valve Housings / Lanterns

VALVE SIZE	CLAMP SIZE	ID-NO.
40/1.5"	2.5"	0034447
50/2.0"	3.0"	0034587
65/2.5"	3.5"	0036590
80/3.0"	4.0"	0034595
100/4.0"	5.0"	2142011



SÜDMO

BUTTERFLY AND BALL VALVES

CONTENTS

- 3.0 GENERAL INFORMATION SÜDMO BUTTERFLY,
LEAKAGE BUTTERFLY AND BALL VALVES
- 3.1 HYG. BUTTERFLY VALVES
- 3.2 LEAKAGE BUTTERFLY VALVES
- 3.3 BALL VALVES



SÜDMO

GENERAL INFORMATION SÜDMO BUTTERFLY, LEAKAGE BUTTERFLY AND BALL VALVES

3.0

CONTENTS

3.0.4 GENERAL COMMERCIAL INFORMATION, QUICKFINDER

3.0.5 GENERAL TECHNICAL SPECIFICATIONS

3.0.6 SEAL GUIDE, TEMPERATURES AND CLEANING INFORMATION

3.0.10 CVS-VALUES

SÜDMO

BUTTERFLY VALVES STANDARD

PENTAIR SÜDMO BUTTERFLY VALVES HYGIENIC SHUT-OFF VALVES

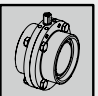
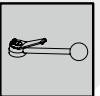
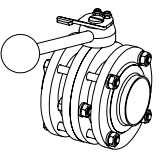
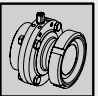
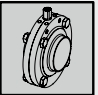
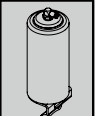
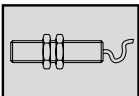
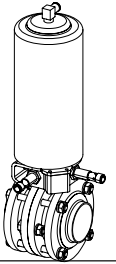
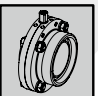
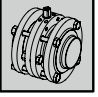
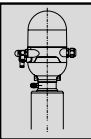
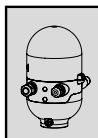
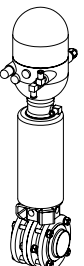
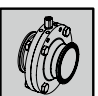
Pentair Südmö Butterfly Valves may be implemented in areas of the processing industries. Thus the pneumatic or manual Butterfly Valves are applied in breweries, dairies, the beverage and food industry as well as in the pharmaceutical, or cosmetical industries.

The Butterfly Valve Program contains the most common kinds of connections e.g., welding ends, threaded or clamp connections. Further a manual stainless steel handle (with locking or fixing mechanism as option) as well as pneumatic actuators in the executions «air to open/spring to close», «spring to open/air to close» and «air to open/air to close» are available. Generally the pneumatic Butterfly Valves are equipped with a feedback support for proximity switches type M12 round. Manual Butterfly Valves can be equipped with feedback supports easily at any time. In addition options like rotary angle limiters or decentral control tops can easily be provided.



BUTTERFLY VALVES DELIVERY IN SINGLE COMPONENTS)

MOUNTED WITH ADD. CHARGE



1 Housing	2 Actuator	3 Feedback	4 Valve
<p>2 x Male Page 3.1.5</p> 	<p>Manual</p> 		
<p>Gewinde Kegel Page 3.1.7</p> 			
<p>Welding End Page 3.1.9</p> 	<p>Pn. Actuator - prepared for Proximity Switch</p> 	<p>Proximity Switch Page 4.2.2</p> 	
<p>Male Page 3.1.11</p> 			
<p>Sandwich Style Page 3.1.13</p> 	<p>Pn. Actuator - prepared for IntelliTop 2.0</p> 	<p>IntelliTop 2.0 Page 4.1.4</p> 	
<p>Tri-Clamp Page 3.1.15</p> 			



TECHNICAL SPECIFICATION			
Materials	Product wetted parts	1.4404 (AISI 316 L), 1.4307 (AISI 304 L)	
	Optional	1.4435 (AISI 316 L)	Other materials on request
	Parts not product wetted	1.4301 (AISI 304), 1.4307 (AISI 304 L)	
Sealing Elements	Sealing materials (FDA)	EPDM	Other sealing materials on request
Temperatures	Continuous operating temperature	EPDM 130° C / 266° F*	
	Sterilization temperature	EPDM 140° C / 284° F* (approx. 20 min.)	
Pressures	Operating pressure	EPDM 10 bar (145 psi)	HNBR 10 bar (145 psi) PTFE-laminated EPDM 6 bar (87 psi)
		FKM 6 bar (87 psi)	VMQ 10 bar (145 psi)
	Control pressure	Min. 6 bar (87 psi) - max. 8 bar (116 psi)	
Surfaces	Product wetted surfaces	Ra ≤ 0,8 µm	
	Surfaces not product wetted	Bright-turned, Ra 1,6 µm	
	Optional	Surfaces product wetted e-polished, higher quality surfaces on request	

* Depending on operating parameters

GENERAL CONSISTENCY OF SEALING MATERIALS

GENERAL CONSISTENCY	EPDM	HNBR	FKM
	<ul style="list-style-type: none"> + very good hot water and steam resistancy + very good low temperature performance + good ozone resistancy (light resistance) + very high elasticity + very good mechanical properties (long lifetime) 	<ul style="list-style-type: none"> + suitable for animal fat contents (e.g. milk) + suitable for vegetable fat contents (e.g. olive oil) + aliphatic, aromatic and chlorinated hydrocarbons (e.g. mineral oil, crude oil) 	<ul style="list-style-type: none"> + very good chemical resistancy + very good heat and weather resistancy + suitable for low molecular weight, organic acids (e.g. formic acid and acetic acid) + good swelling resistancy
	<ul style="list-style-type: none"> - vegetable and animal oils - aliphatic, aromatic and chlorinated hydrocarbons (e.g. mineral oil, crude oil) - citron juices and flavors 	<ul style="list-style-type: none"> - overheating steam - susceptible to certain detergents and disinfectants (nitric acid, formic acid or peracetic acid) - strongly swelling in polar solvents (acetone, methylcetone, ethylacetate, diethylether) 	<ul style="list-style-type: none"> - non rubber-elastic material - aliphatic, aromatic and chlorinated hydrocarbons (e.g. mineral oil, crude oil) - critical at very cold temperatures (-20°C/-4°F) - high heat expansion co-efficient
TYPICAL APPLICATION AREAS	<ul style="list-style-type: none"> • First choice for a multitude of applications 	<ul style="list-style-type: none"> • Dairy • Wort 	<ul style="list-style-type: none"> • Chemical processes • Special cleaning procedures • Processes with H₂O₂ (hydrogen peroxide) • Soft drinks (Cola concentrate)



VMQ	PTFE LAMINATED
<ul style="list-style-type: none">+ good low temperature flexibility+ good dielectric properties+ good resistancy against oxygen, ozone and ultraviolet radiation	<ul style="list-style-type: none">+ high chemical resistancy+ low adhesive factor+ low sliding coefficient
<ul style="list-style-type: none">- hot temperatures over 80°C/ 176°F	<ul style="list-style-type: none">- limited temperature stability- limited form stability
<ul style="list-style-type: none">• Aromatics	<ul style="list-style-type: none">• Concentrate lines (eg. CIP)

PRODUCTION TEMPERATURES AND CLEANING SPECIFICATIONS

PRODUCTION PARAMETERS	EPDM	HNBR	FKM
Product			
Max. operation temperature	95°C / 203°F	95°C / 203°F	80°C / 176°F
Min. operation temperature	1°C / 33.8°F	1°C / 33.8°F	1°C / 33.8°F
Steam			
Temperature max. (continously)	130°C (2.7 bar) / 266°F (39.1 psi)	121°C (1.9 bar) / 250°F (27.5 psi)	not advisable for FKM
Temperature max. (short-time 15-20 min)	150°C (4.7 bar) / 302°F (68.1 psi)	140°C (3.6 bar) / 284°F (52.2 psi)	121°C (1.9 bar) / 250°F (27.5 psi)
Caustic (caustic soda)*			
Diluted cleaning solution	< 5%	< 3%	< 5%
Temperature min.	1°C / 33.8°F	1°C / 33.8°F	1°C / 33.8°F
Temperature max.	80°C / 176°F	80°C / 176°F	80°C / 176°F
Acid (Nitric/Phosphoric/Peracetic acid)*			
Diluted cleaning solution	< 3%	< 1,5%	< 1,5%
Temperature min.	1°C / 33.8°F	1°C / 33.8°F	1°C / 33.8°F
Temperature max.	40°C / 104°F	40°C / 104°F	60°C / 140°F
Disinfection*			
Diluted disinfectant (based on peracetic acid)	< 0,7%	Not advisable for HNBR	< 0,2%
Temperature min.	1°C / 33.8°F	Not advisable for HNBR	1°C / 33.8°F
Temperature max.	30°C / 86°F	Not advisable for HNBR	30°C / 86°F



VMQ	PTFE LAMINATED
90°C / 194°F 0°C / 32°F	80°C / 176°F 5°C / 37°F
not advisable for VMQ not advisable for VMQ	not advisable for PTFE-laminated gaskets not advisable for PTFE-laminated gaskets
< 2,5% 0°C / 32°F 60°C / 140°F	100% 5°C / 37°F 80°C / 176°F
< 1,2% 0°C / 32°F 60°C / 140°F	100% 5°C / 37°F 80°C / 176°F
< 0,7% 0°C / 32°F 80°C / 176°F	100% 5°C / 37°F 80°C / 176°F

PLEASE NOTE

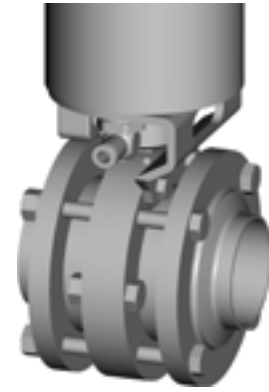
The resistance figures shown here are based on experiences and are given as a guideline, in coordination with our seal suppliers. Due to variable factors, such as temperatures, mechanical forces, media concentrations, and plant-specific operating parameters, the actual seal service life may vary.

The information provided is for general orientation only and Pentair Südmö does not guarantee. Please contact us for application specific cases or complex operating conditions.

* Keep contact times as short as possible. After the cleaning cycle, all product-wetted and product-related surfaces (e.g. leakage chamber in the double seat valve) must be rinsed with pure water. Long contact times with disinfection solutions in particular have to be avoided.

KVS/CVS-VALUES

FLOW MEASUREMENT



BUTTERFLY VALVES

$$\Delta P [\text{bar}] = \left(\frac{Q [\text{m}^3/\text{h}]}{KV} \right)^2 \quad \Delta P [\text{PSI}] = \left(\frac{Q [\text{gal}/\text{min}]}{CV} \right)^2$$

DN 25/OD 1.0"

VALVE	KVS-VALUE	CVS-VALUE
K580-K588 / K680-K688	16,9	19,8

DN 40/OD 1.5"

VALVE	KVS-VALUE	CVS-VALUE
K580-K588 / K680-K688	74,5	87,2

DN 50/OD 2.0"

VALVE	KVS-VALUE	CVS-VALUE
K580-K588 / K680-K688	177,2	207,3

DN 65/OD 2.5"

VALVE	KVS-VALUE	CVS-VALUE
K580-K588 / K680-K688	376,3	440,3

DN 80/OD 3.0"

VALVE	KVS-VALUE	CVS-VALUE
K580-K588 / K680-K688	583,9	683,2

DN 100/OD 4.0"

VALVE	KVS-VALUE	CVS-VALUE
K580-K588 / K680-K688	968,1	1132,7

DN 125

VALVE	KVS-VALUE	CVS-VALUE
K580-K588 / K680-K688	1746,0	2042,8

DN 150/OD 6.0"

VALVE	KVS-VALUE	CVS-VALUE
K580-K588 / K680-K688	2711,2	3172,1

CVS: CVS-VALUE ACC. TO DIN EN 60534-2-3



SÜDMO

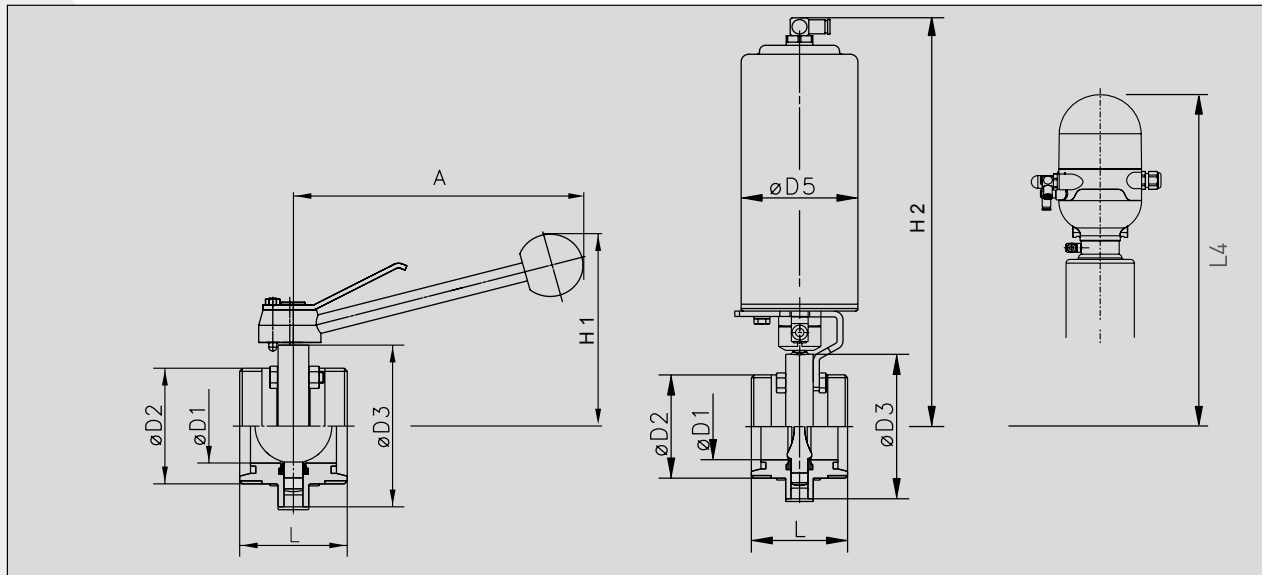
BUTTERFLY VALVES - HYGIENIC SHUT-OFF VALVES

3.1

CONTENTS

- 3.1.2 BUTTERFLY VALVES, 2 X MALE
- 3.1.4 BUTTERFLY VALVES, MALE/SLOTTED NUT AND LINER
- 3.1.6 BUTTERFLY VALVES, WELDING ENDS
- 3.1.8 BUTTERFLY VALVES, MALE/WELDING END
- 3.1.10 BUTTERFLY VALVES, SANDWICH STYLE BETWEEN SMALL FLANGES
- 3.1.12 BUTTERFLY VALVES, TRI-CLAMP
- 3.1.14 BUTTERFLY VALVE ACCESSORIES AND SPARE PARTS

BUTTERFLY VALVES, 2 X MALE



K 580
manually operated
2 x male

K 660 / K 680 *
pneumatically operated
2 x male

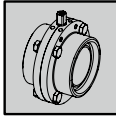
METRIC	ØD1	ØD2	ØD3	ØD5	A	H1	H2	L	L4	kg
15	16	Rd 34 x 1/8"	62.5	88	150	92	273	60	465	0.8 / 4.3
20	20	Rd 44 x 1/6"	70	88	150	96	276	70	465	1.3 / 4.8
25	26	Rd 52 x 1/6"	84	88	150	103	283	70	476	1.5 / 5.1
32	32	Rd 58 x 1/6"	90	88	150	106	286	70	479	1.7 / 5.3
40	38	Rd 65 x 1/6"	96	88	150	109	289	70	482	1.9 / 5.4
50	50	Rd 78 x 1/6"	109	88	177	126	296	70	489	2.3 / 5.8
65	66	Rd 95 x 1/6"	126	88	177	135	304	74	497	2.9 / 6.5
80	81	Rd 110 x 1/4"	141	88	177	142	312	85	505	3.7 / 7.3
100	100	Rd 130 x 1/4"	161	88	177	152	323	85	516	4.6 / 8.2
125	125	Rd 160 x 1/4"	200	127	220	180	392	114	590	
150	150	Rd 190 x 1/4"	230	127	220	195	407	124	605	

OD-TUBE	ØD1	ØD2	ØD3	ØD5	A	H1	H2	L	L4	kg
1.0"	22.1	IDF 37.05 x 1/8"	84	88	150	103	283	70	476	1.6 / 5.2
1.5"	34.8	IDF 50.57 x 1/8"	96	88	150	109	289	70	482	2.0 / 5.5
2.0"	47.5	IDF 64.08 x 1/8"	109	88	177	126	296	70	489	2.4 / 5.9
2.5"	60.2	IDF 77.59 x 1/8"	126	88	177	135	304	74	497	3.0 / 6.6
3.0"	72.9	IDF 91.11 x 1/8"	141	88	177	142	312	85	505	3.7 / 7.4
4.0"	97.4	IDF 118.14 x 1/8"	161	88	177	152	323	85	516	4.7 / 8.3

* SMS or RJT specific males on request



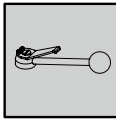
1



Butterfly Valve (EPDM)
K 580 / K 660 / K 680 without drive unit

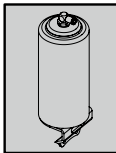
		1.4404 (AISI 316 L)	1.4307 (AISI 304 L)			1.4404 (AISI 316 L)	1.4307 (AISI 304 L)
METRIC	ID-NO.	ID-NO.	OD-TUBE	ID-NO.	ID-NO.	ID-NO.	ID-NO.
15	S0000544		1.0"	S0001496	S0010880		
20	S0000546		1.5"	S0001497	S0010881		
25	S0000548	S0002800	2.0"	S0001498	S0001524		
32	S0000550		2.5"	S0001499	S0010882		
40	S0000552	S0002802	3.0"	S0001500	S0001523		
50	S0000555	S0002803	4.0"	S0001501	S0010883		
65	S0000557	S0002804					
80	S0000533	S0002805					
100	S0000559	S0002806					
125	S0002432						
150	S0002430						

2



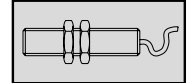
Handle stainless steel handle with intermediate position
Z 590 E (for K 580-588)

SIZES	ID-NO.
DN 15-40/1"-1.5"/ISO 25-40	2130374
DN 50-100/2"-4"/ISO 50-100	2025319
DN 125-150/5"-6"	0231894



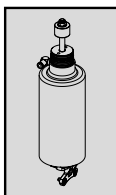
Actuator, Pneumatic incl. mounting set for 2 proximity switches M12
Z 590 E (for K 580-588)

3



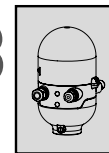
Proximity switches
Chapter 4.2

		air to open-spring to close	spring to open-air to close	air to open-air to close
SIZES	ID-NO.	ID-NO.	ID-NO.	ID-NO.
DN 15-20	2701900	2705103	2701903	
DN 25-40/1"-1.5"/ISO 25-40	2701901	2705104	2701904	
DN 50-100/2"-4"/ISO 50-100	2701902	2705105	2701905	
DN 125-150/5"-6"	2003805	2146332	2004104	



Actuator, Pneumatic incl. mounting set for IntelliTop2.0
Z 690 I2.0

3



IntelliTop 2.0
Chapter 4.1

		air to open-spring to close	spring to open-air to close	air to open-air to close
SIZES	ID-NO.	ID-NO.	ID-NO.	ID-NO.
DN 15-20	2707045	2707173	2707046	
DN 25-40/1"-1.5"/ISO 25-40	2707042	2707065	2707047	
DN 50-100/2"-4"/ISO 50-100	2707043	2707066	2707048	
DN 125-150/5"-6"	2311438	2146333	2146334	

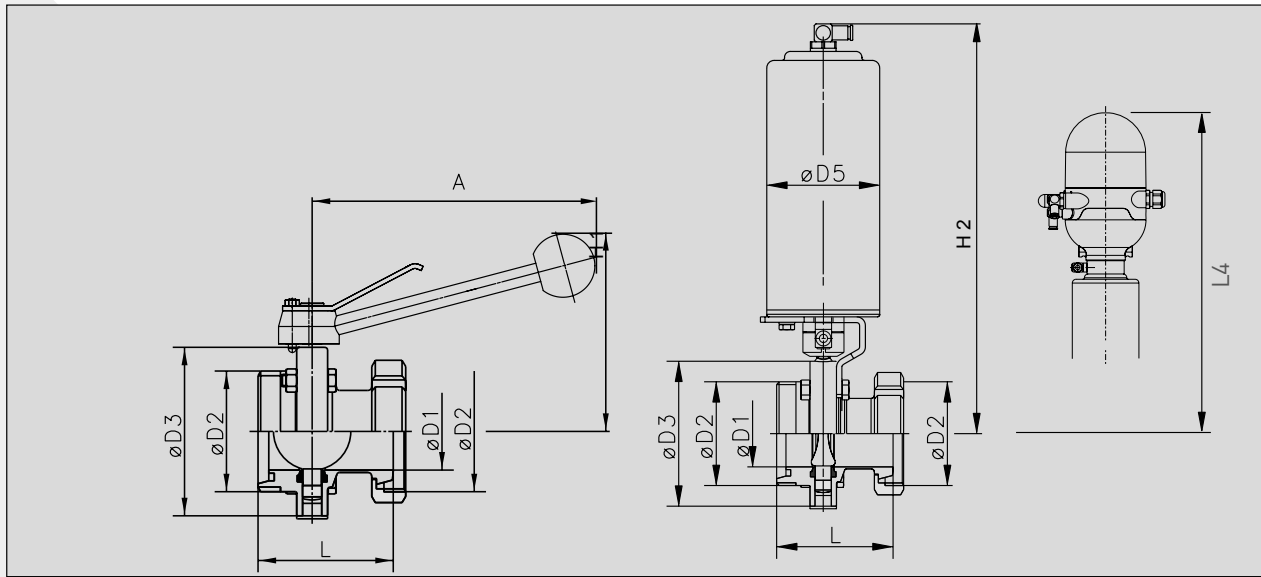
4

Additional Charge for completely mounted Valve

EXECUTION	ADD. CHARGE
Handle	
Actuator	

BUTTERFLY VALVES, MALE/SLOTTED NUT AND LINER

3.1



K 581
manually operated
Male/slotted nut and liner

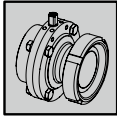
K 661 / K 681 *
pneumatically operated
Male/slotted nut and liner

METRIC	ØD1	ØD2	ØD3	ØD5	A	H1	H2	L	L4	kg
15	16	Rd 34 x 1/8"	62.5	88	150	92	273	71.5	465	0.9 / 4.5
20	20	Rd 44 x 1/6"	70	88	150	96	276	77.5	465	1.3 / 4.9
25	26	Rd 52 x 1/6"	84	88	150	103	283	81.5	476	1.7 / 5.2
32	32	Rd 58 x 1/6"	90	88	150	106	286	84.0	479	1.8 / 5.4
40	38	Rd 65 x 1/6"	96	88	150	109	289	85.5	482	2.0 / 5.6
50	50	Rd 78 x 1/6"	109	88	177	126	296	87.5	489	2.5 / 6.1
65	66	Rd 95 x 1/6"	126	88	177	135	304	93.5	497	3.4 / 7.0
80	81	Rd 110 x 1/4"	141	88	177	142	312	121.5	505	4.4 / 7.9
100	100	Rd 130 x 1/4"	161	88	177	152	323	128.5	516	5.6 / 9.2
125	125	Rd 160 x 1/4"	200	127	220	180	392	148.0	590	
150	150	Rd 190 x 1/4"	230	127	220	195	407	161.0	605	

* Please order SMS or RJT specific males on request



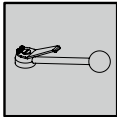
1



Butterfly Valve (EPDM)
K 581 / K 661 / K 681 without drive unit

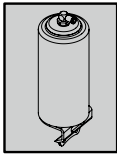
METRIC	ID-NO.	ID-NO.
15	S0000697	
20	S0000699	
25	S0000687	S0002914
32	S0000701	
40	S0000703	S0002915
50	S0000705	S0002916
65	S0000707	S0002917
80	S0000709	S0002918
100	S0000695	S0002919
125	S0004558	
150	S0004559	

2



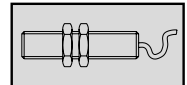
Handle stainless steel handle with intermediate position
Z 590 E (for K 580-588)

SIZES	ID-NO.
DN 15-40/1"-1.5"/ISO 25-40	2130374
DN 50-100/2"-4"/ISO 50-100	2025319
DN 125-150/5"-6"	0231894



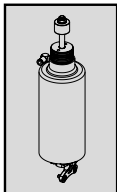
Actuator, Pneumatic incl. mounting set for 2 proximity switches M12
Z 590 E (for K 580-588)

3



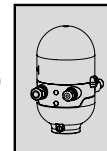
Proximity switches
 Chapter 4.2

SIZES	ID-NO.	ID-NO.	ID-NO.
DN 15-20	2701900	2705103	2701903
DN 25-40/1"-1.5"/ISO 25-40	2701901	2705104	2701904
DN 50-100/2"-4"/ISO 50-100	2701902	2705105	2701905
DN 125-150/5"-6"	2003805	2146332	2004104



Actuator, Pneumatic incl. mounting set for IntelliTop2.0
Z 690 I2.0

3



IntelliTop 2.0
 Chapter 4.1

SIZES	ID-NO.	ID-NO.	ID-NO.
DN 15-20	2707045	2707173	2707046
DN 25-40/1"-1.5"/ISO 25-40	2707042	2707065	2707047
DN 50-100/2"-4"/ISO 50-100	2707043	2707066	2707048
DN 125-150/5"-6"	2311438	2146333	2146334

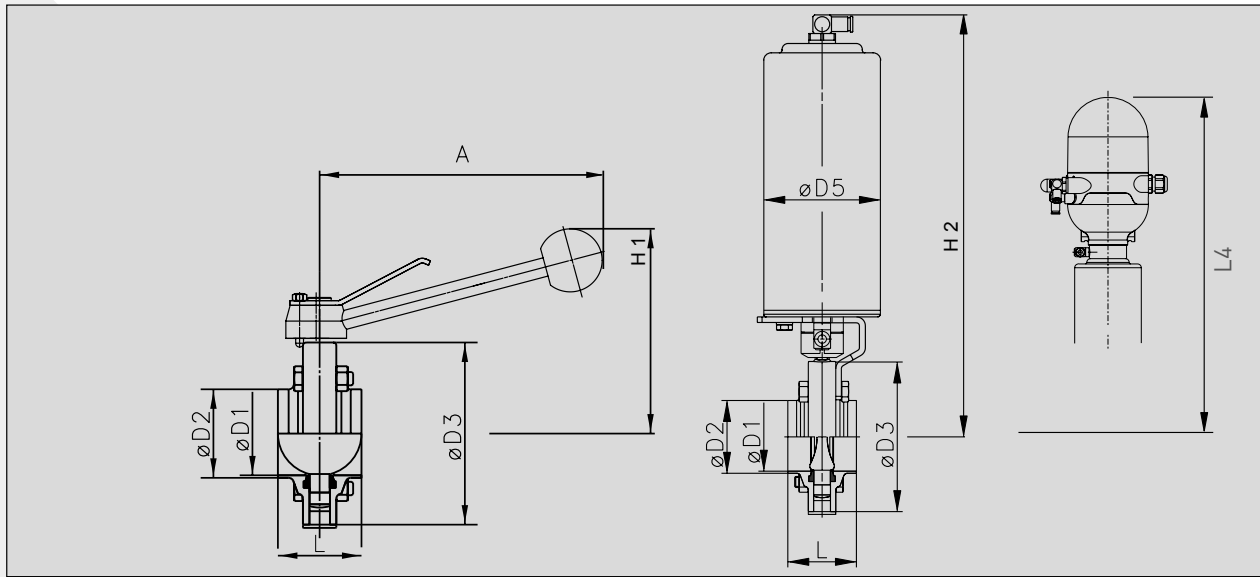
4

Additional Charge for completely mounted Valve

EXECUTION	ADD. CHARGE
Handle	
Actuator	

BUTTERFLY VALVES, WELDING ENDS

3.1



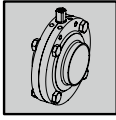
K 582
manually operated
Welding ends

K 662 / K 682
pneumatically operated
Welding ends

METRIC	ØD1	ØD2	ØD3	ØD5	A	H1	H2	L	L4	kg
15	16	19	62.5	88	150	92	273	50	465	0.7 / 4.3
20	20	23	70	88	150	96	276	50	465	0.9 / 4.5
25	26	29	84	88	150	103	283	50	476	1.2 / 4.7
32	32	35	90	88	150	106	286	50	479	1.3 / 4.8
40	38	41	96	88	150	109	289	50	482	1.4 / 4.9
50	50	53	109	88	177	126	296	50	489	1.6 / 5.2
65	66	70	126	88	177	135	304	50	497	2.1 / 5.7
80	81	85	141	88	177	142	312	85	505	2.6 / 6.1
100	100	104	161	88	177	152	323	85	516	3.2 / 6.8
125	125	129	200	127	220	180	392	114	590	
150	150	154	230	127	220	195	407	124	605	
OD-TUBE	ØD1	ØD2	ØD3	ØD5	A	H1	H2	L	L4	kg
1.0"	22.1	25.4	84	88	150	103	283	50	476	1.3 / 4.8
1.5"	34.8	38.1	96	88	150	109	289	50	482	1.5 / 5.0
2.0"	47.5	50.8	109	88	177	126	296	50	489	1.7 / 5.3
2.5"	60.2	63.5	126	88	177	135	304	50	497	2.2 / 5.8
3.0"	72.9	76.2	141	88	177	142	312	85	505	2.7 / 6.2
4.0"	97.4	101.6	161	88	177	152	323	85	516	3.3 / 6.9
ISO	ØD1	ØD2	ØD3	ØD5	A	H1	H2	L	L4	kg
25	29.7	33.7	84	88	150	103	283	50	476	
32	38.4	42.4	96	88	150	109	289	50	482	
40	44.3	48.3	96	88	150	109	289	50	482	
50	56.3	60.3	109	88	177	126	296	50	489	
65	72.1	76.1	141	88	177	142	312	85	505	
80	84.3	88.9	141	88	177	142	312	85	505	
100	109.7	114.3	161	88	177	152	323	85	516	



1



Butterfly Valve (EPDM)

K 582 / K 662 / K 682 without drive unit

1.4404 (AISI 316 L) | 1.4307 (AISI 304 L)

1.4404 (AISI 316 L) | 1.4307 (AISI 304 L)

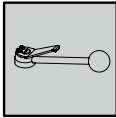
1.4404 (AISI 316 L) | 1.4307 (AISI 304 L)

METRIC	ID-NO.	ID-NO.
15	S0001475	
20	S0001476	
25	S0001477	S0002814
32	S0001478	
40	S0001479	S0002816
50	S0000554	S0002817
65	S0001480	S0002818
80	S0001481	S0002819
100	S0001482	S0002820
125	S0002241	
150	S0002228	

OD-TUBE	ID-NO.	ID-NO.
1.0"	S0001483	S0002590
1.5"	S0001484	S0002591
2.0"	S0001485	S0002592
2.5"	S0001486	S0002593
3.0"	S0001487	S0002594
4.0"	S0001488	S0002595

ISO	ID-NO.	ID-NO.
25	S0004320	S0010976
32	S0004321	S0010977
40	S0002414	S0010978
50	S0002372	S0010979
65	S0004324	S0010980
80	S0004325	S0010981
100	S0004326	S0010982

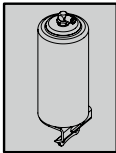
2



Handle stainless steel handle with intermediate position

Z 590 E (for K 580-588)

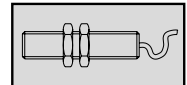
SIZES	ID-NO.
DN 15-40/1"-1.5"/ISO 25-40	2130374
DN 50-100/2"-4"/ISO 50-100	2025319
DN 125-150/5"-6"	0231894



Actuator, Pneumatic incl. mounting set for 2 proximity switches M12

Z 590 E (for K 580-588)

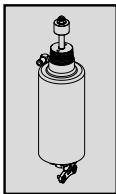
3



Proximity switches
Chapter 4.2

air to open-spring to close	spring to open-air to close	air to open-air to close
-----------------------------	-----------------------------	--------------------------

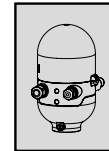
SIZES	ID-NO.	ID-NO.	ID-NO.
DN 15-20	2701900	2705103	2701903
DN 25-40/1"-1.5"/ISO 25-40	2701901	2705104	2701904
DN 50-100/2"-4"/ISO 50-100	2701902	2705105	2701905
DN 125-150/5"-6"	2003805	2146332	2004104



Actuator, Pneumatic incl. mounting set for IntelliTop2.0

Z 690 I2.0

3



IntelliTop 2.0
Chapter 4.1

air to open-spring to close	spring to open-air to close	air to open-air to close
-----------------------------	-----------------------------	--------------------------

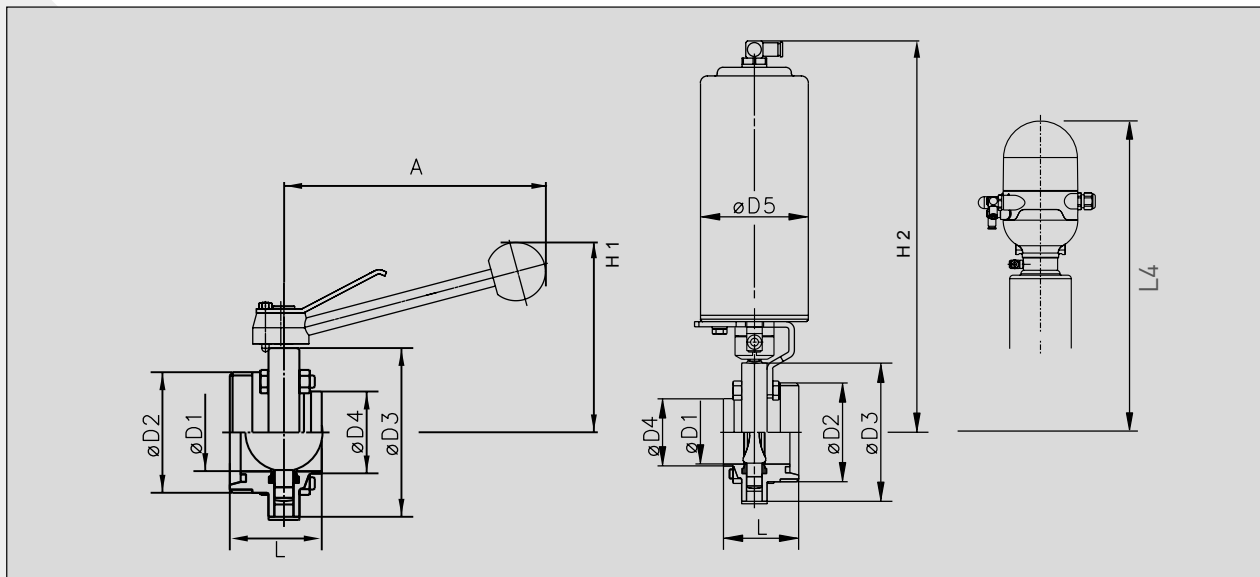
SIZES	ID-NO.	ID-NO.	ID-NO.
DN 15-20	2707045	2707173	2707046
DN 25-40/1"-1.5"/ISO 25-40	2707042	2707065	2707047
DN 50-100/2"-4"/ISO 50-100	2707043	2707066	2707048
DN 125-150/5"-6"	2311438	2146333	2146334

4

Additional Charge for completely mounted Valve

EXECUTION	ADD. CHARGE
Handle	
Actuator	

BUTTERFLY VALVES, MALE/WELDING END



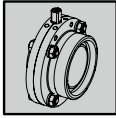
K 585
manually operated
male/welding end

K 665 / K 685
pneumatically operated
male/welding end

METRIC	ØD1	ØD2	ØD3	ØD4	ØD5	A	H1	H2	L	L4	kg
15	16	Rd 34 x 1/8"	62.5	19	88	150	92	273	55	465	0.7 / 4.3
20	20	Rd 44 x 1/6"	62.5	23	88	150	96	276	60	465	0.9 / 4.5
25	26	Rd 52 x 1/6"	84	29	88	150	103	283	60	476	1.2 / 4.7
32	32	Rd 58 x 1/6"	90	35	88	150	106	286	60	479	1.3 / 4.8
40	38	Rd 65 x 1/6"	96	41	88	150	109	289	60	482	1.4 / 4.9
50	50	Rd 78 x 1/6"	109	53	88	177	126	296	60	489	1.6 / 5.2
65	66	Rd 95 x 1/6"	126	70	88	177	135	304	62	497	2.1 / 5.7
80	81	Rd 110 x 1/4"	141	85	88	177	142	312	85	505	2.6 / 6.1
100	100	Rd 130 x 1/4"	161	104	88	177	152	323	85	516	3.2 / 6.8
125	125	Rd 160 x 1/4"	200	129	127	220	180	392	114	590	
150	150	Rd 190 x 1/4"	230	154	127	220	195	407	124	605	
OD-TUBE	ØD1	ØD2	ØD3	ØD4	ØD5	A	H1	H2	L	L4	kg
1.0"	22.1	IDF 37.05 x 1/8"	84	25.4	88	150	103	283	60	476	1.4 / 5.0
1.5"	34.8	IDF 50.57 x 1/8"	96	38.1	88	150	109	289	60	482	1.7 / 5.3
2.0"	47.5	IDF 64.08 x 1/8"	109	50.8	88	177	126	296	60	489	2.1 / 5.6
2.5"	60.2	IDF 77.59 x 1/8"	126	63.5	88	177	135	304	62	497	2.6 / 6.2
3.0"	72.9	IDF 91.11 x 1/8"	141	76.2	88	177	142	312	85	505	3.3 / 6.8
4.0"	97.6	IDF 118.14 x 1/8"	161	101.6	88	177	152	323	85	516	4.0 / 7.6



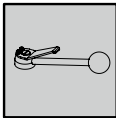
1



Butterfly Valve (EPDM)
K 585 / K 665 / K 685 without drive unit

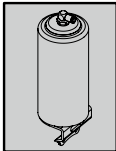
1.4404 (AISI 316 L)		1.4307 (AISI 304 L)		1.4404 (AISI 316 L)		1.4307 (AISI 304 L)	
METRIC	ID-NO.	ID-NO.	OD-TUBE	ID-NO.	ID-NO.	ID-NO.	ID-NO.
15	S0000536		1.0"	S0001502	S0020000		
20	S0000531		1.5"	S0001503	S0020001		
25	S0000537	S0002907	2.0"	S0001504	S0020002		
32	S0000538		2.5"	S0001505	S0020003		
40	S0000540	S0002909	3.0"	S0001506	S0020004		
50	S0000541	S0002910	4.0"	S0001507	S0020005		
65	S0000542	S0002911					
80	S0000534	S0002912					
100	S0000558	S0002913					
125	S0004560						
150	S0004561						

2



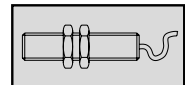
Handle stainless steel handle with intermediate position
Z 590 E (for K 580-588)

SIZES	ID-NO.
DN 15-40/1"-1.5"/ISO 25-40	2130374
DN 50-100/2"-4"/ISO 50-100	2025319
DN 125-150/5"-6"	0231894



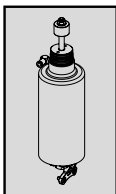
Actuator, Pneumatic incl. mounting set for 2 proximity switches M12
Z 590 E (for K 580-588)

3



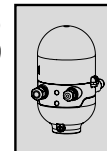
Proximity switches
 Chapter 4.2

air to open-spring to close		spring to open-air to close		air to open-air to close	
SIZES	ID-NO.	ID-NO.	ID-NO.	ID-NO.	ID-NO.
DN 15-20	2701900	2705103	2701903		
DN 25-40/1"-1.5"/ISO 25-40	2701901	2705104	2701904		
DN 50-100/2"-4"/ISO 50-100	2701902	2705105	2701905		
DN 125-150/5"-6"	2003805	2146332	2004104		



Actuator, Pneumatic incl. mounting set for IntelliTop2.0
Z 690 I2.0

3



IntelliTop 2.0
 Chapter 4.1

air to open-spring to close		spring to open-air to close		air to open-air to close	
SIZES	ID-NO.	ID-NO.	ID-NO.	ID-NO.	ID-NO.
DN 15-20	2707045	2707173	2707046		
DN 25-40/1"-1.5"/ISO 25-40	2707042	2707065	2707047		
DN 50-100/2"-4"/ISO 50-100	2707043	2707066	2707048		
DN 125-150/5"-6"	2311438	2146333	2146334		

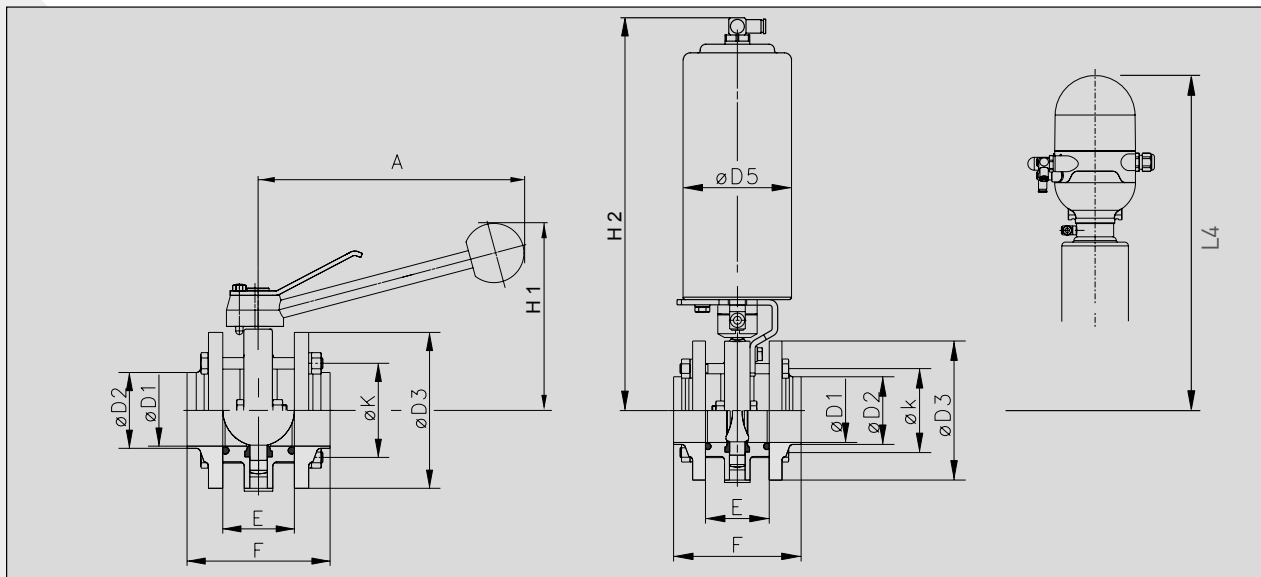
4

Additional Charge for completely mounted Valve

EXECUTION	ADD. CHARGE
Handle	
Actuator	

BUTTERFLY VALVES

SANDWICH STYLE BETWEEN SMALL FLANGES



K 587
manually operated

K 667 / K 687
pneumatically operated

sandwich style between small flanges (wafer type)

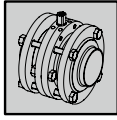
METRIC	ØD1	ØD2	ØD3	ØD5	A	H1	H2	E	F	Øk	L4	kg
15	16	19	62.5	88	150	92	273	50	100	50	465	1.3 / 4.9
20	20	23	62.5	88	150	92	276	50	100	50	465	1.4 / 5.0
25	26	29	84	88	150	103	283	50	100	67	476	2.3 / 5.9
32	32	35	90	88	150	106	286	50	100	73	479	2.5 / 6.1
40	38	41	96	88	150	109	289	50	100	80	482	2.8 / 6.3
50	50	53	106	88	177	126	296	50	100	93	489	3.4 / 6.9
65	66	70	126	88	177	135	304	50	100	110	497	4.1 / 7.7
80	81	85	141	88	177	142	312	50	100	125	505	4.8 / 8.4
100	100	104	161	88	177	152	323	50	100	145	516	5.9 / 9.5
125	125	129	200	127	220	180	392	60	120	180	590	12.2 / 21.8
150	150	154	230	127	220	195	407	60	120	210	605	16.4 / 25.3
OD-TUBE	ØD1	ØD2	ØD3	ØD5	A	H1	H2	E	F	Øk	L4	kg
1.0"	22.1	25.4	84	88	150	103	283	50	100	67	476	2.4 / 6.0
1.5"	34.8	38.1	96	88	150	109	289	50	100	80	482	2.9 / 6.4
2.0"	47.5	50.8	109	88	177	126	296	50	100	93	489	3.5 / 7.0
2.5"	60.2	63.5	126	88	177	135	304	50	100	110	497	4.2 / 7.8
3.0"	72.9	76.2	141	88	177	142	312	50	100	125	505	4.9 / 8.5
4.0"	97.4	101.6	161	88	177	152	323	50	100	145	516	6.0 / 9.6
ISO	ØD1	ØD2	ØD3	ØD5	A	H1	H2	E	F	Øk	L4	kg
25	29.7	33.7	84	88	150	103	283	50	100	67	476	
32	38.4	42.4	96	88	150	109	289	50	100	80	482	
40	44.3	48.3	96	88	150	109	289	50	100	80	482	
50	56.3	60.3	109	88	177	126	296	50	100	93	489	
65	72.1	76.1	141	88	177	142	312	50	100	125	505	
80	84.3	88.9	141	88	177	142	312	50	100	125	505	
100	109.7	114.3	161	88	177	152	323	50	100	145	516	



BUTTERFLY VALVES

SANDWICH STYLE BETWEEN SMALL FLANGES

1



Butterfly Valve (EPDM)
K 587 / K 667 / K 687 without drive unit

1.4404 (AISI 316 L) | 1.4307 (AISI 304 L)

1.4404 (AISI 316 L) | 1.4307 (AISI 304 L)

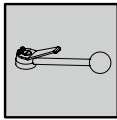
1.4404 (AISI 316 L) | 1.4307 (AISI 304 L)

METRIC	ID-NO.	ID-NO.
15	S0000642	
20	S0000711	
25	S0000641	S0002828
32	S0000712	
40	S0000713	S0002830
50	S0000563	S0002831
65	S0000714	S0002832
80	S0000564	S0002833
100	S0000715	S0002834
125	S0001769	S0010922
150	S0001770	S0010923

OD-TUBE	ID-NO.	ID-NO.
1.0"	S0000813	S0010997
1.5"	S0000814	S0010998
2.0"	S0000815	S0002942
2.5"	S0000816	2153644
3.0"	S0000817	S0010999
4.0"	S0000818	2153642

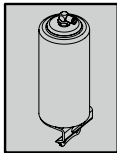
ISO	ID-NO.	ID-NO.
25	S0004393	S0020083
32	S0004599	S0020084
40	S0004394	S0020085
50	S0002410	S0020086
65	S0004395	S0020087
80	S0004396	S0020088
100	S0004397	S0020089

2



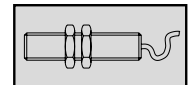
Handle stainless steel handle with intermediate position
Z 590 E (for K 580-588)

SIZES	ID-NO.
DN 15-40/1"-1.5"/ISO 25-40	2130374
DN 50-100/2"-4"/ISO 50-100	2025319
DN 125-150/5"-6"	0231894



Actuator, Pneumatic incl. mounting set for 2 proximity switches M12
Z 590 E (for K 580-588)

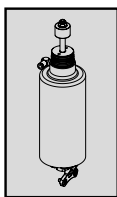
3



Proximity switches
Chapter 4.2

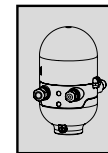
air to open-spring to close	spring to open-air to close	air to open-air to close
-----------------------------	-----------------------------	--------------------------

SIZES	ID-NO.	ID-NO.	ID-NO.
DN 15-20	2701900	2705103	2701903
DN 25-40/1"-1.5"/ISO 25-40	2701901	2705104	2701904
DN 50-100/2"-4"/ISO 50-100	2701902	2705105	2701905
DN 125-150/5"-6"	2003805	2146332	2004104



Actuator, Pneumatic incl. mounting set for IntelliTop2.0
Z 690 I2.0

3



IntelliTop 2.0
Chapter 4.1

air to open-spring to close	spring to open-air to close	air to open-air to close
-----------------------------	-----------------------------	--------------------------

SIZES	ID-NO.	ID-NO.	ID-NO.
DN 15-20	2707045	2707173	2707046
DN 25-40/1"-1.5"/ISO 25-40	2707042	2707065	2707047
DN 50-100/2"-4"/ISO 50-100	2707043	2707066	2707048
DN 125-150/5"-6"	2311438	2146333	2146334

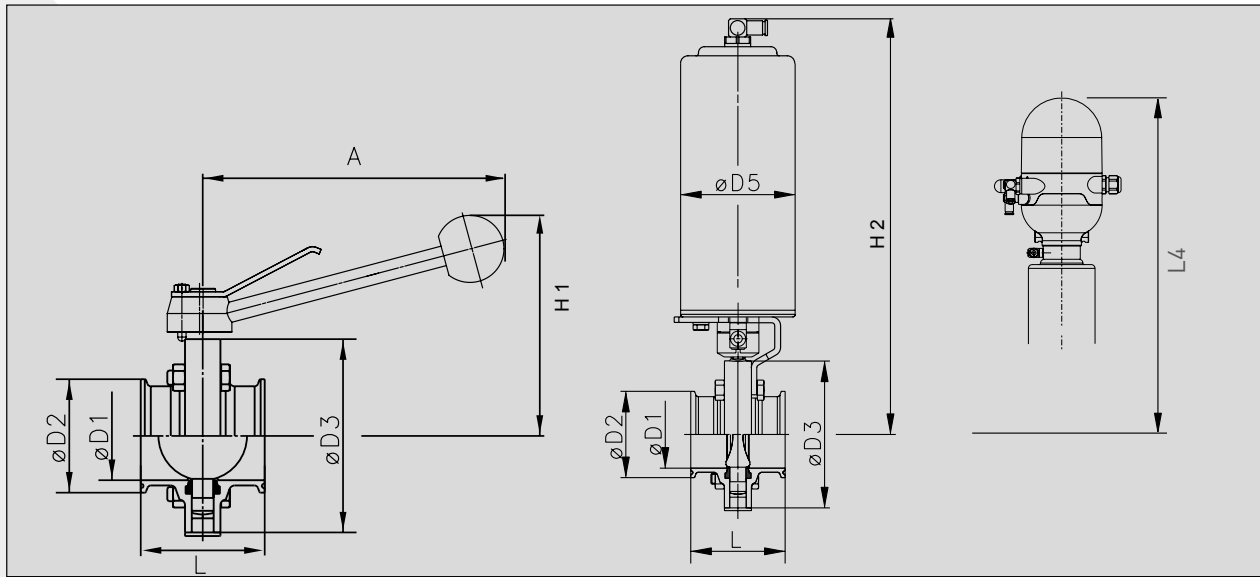
4

Additional Charge for completely mounted Valve

EXECUTION	ADD. CHARGE
Handle	
Actuator	

BUTTERFLY VALVES, TRI-CLAMP

3.1



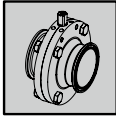
K 588
manually operated
2 x Tri-Clamp

K 668 / K 688
pneumatically operated
2 x Tri-Clamp

METRIC	ØD1	ØD2	ØD3	ØD5	A	H1	H2	L	L4	kg
25	26	50.5	84	88	150	103	283	70	465	1.4 / 5.0
40	38	50.5	96	88	150	109	289	70	465	1.6 / 5.1
50	50	64.0	109	88	150	126	296	70	476	1.9 / 5.4
65	66	91.0	126	88	177	135	304	74	479	2.5 / 6.1
80	81	106.0	141	88	177	142	312	85	482	3.0 / 6.5
100	100	119.0	161	88	177	152	323	85	489	3.6 / 7.2
OD-TUBE	ØD1	ØD2	ØD3	ØD5	A	H1	H2	L	L4	kg
1.0"	22.1	50.5	84	88	150	103	283	70	476	1.5 / 5.1
1.5"	34.8	50.5	96	88	150	109	289	70	482	1.7 / 5.2
2.0"	47.5	64.0	109	88	177	126	296	70	489	2.0 / 5.5
2.5"	60.2	77.5	126	88	177	135	304	74	497	2.6 / 6.2
3.0"	72.9	91.0	141	88	177	142	312	85	505	3.1 / 6.6
4.0"	97.4	119.0	161	88	177	152	323	85	516	3.7 / 7.3



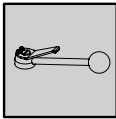
1



Butterfly Valve (EPDM)
K 588 / K 668 / K 688 without drive unit

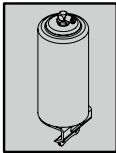
1.4404 (AISI 316 L)		1.4307 (AISI 304 L)		1.4404 (AISI 316 L)		1.4307 (AISI 304 L)	
METRIC	ID-NO.	ID-NO.	OD-TUBE	ID-NO.	ID-NO.	ID-NO.	ID-NO.
25	S0001510	S0010926	1.0"	S0001516	S0010946	S0010946	S0010946
40	S0001512	S0010941	1.5"	S0001517	S0010947	S0010947	S0010947
50	S0001495	S0010927	2.0"	S0001518	S0010948	S0010948	S0010948
65	S0001513	S0010928	2.5"	S0001519	S0010949	S0010949	S0010949
80	S0001514	S0010929	3.0"	S0001520	S0010950	S0010950	S0010950
100	S0001515	S0010930	4.0"	S0001521	S0010951	S0010951	S0010951

2



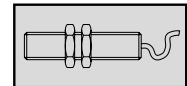
Handle stainless steel handle with intermediate position
Z 590 E (for K 580-588)

SIZES	ID-NO.
DN 15-40/1"-1.5"/ISO 25-40	2130374
DN 50-100/2"-4"/ISO 50-100	2025319
DN 125-150/5"-6"	0231894



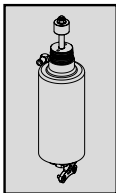
Actuator, Pneumatic incl. mounting set for 2 proximity switches M12
Z 590 E (for K 580-588)

3



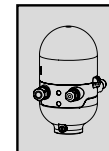
Proximity switches
Chapter 4.2

air to open-spring to close		spring to open-air to close		air to open-air to close	
SIZES	ID-NO.	ID-NO.	ID-NO.	ID-NO.	ID-NO.
DN 15-20	2701900	2705103	2701903	2701903	2701903
DN 25-40/1"-1.5"/ISO 25-40	2701901	2705104	2701904	2701904	2701904
DN 50-100/2"-4"/ISO 50-100	2701902	2705105	2701905	2701905	2701905
DN 125-150/5"-6"	2003805	2146332	2004104	2004104	2004104



Actuator, Pneumatic incl. mounting set for IntelliTop2.0
Z 690 I2.0

3



IntelliTop 2.0
Chapter 4.1

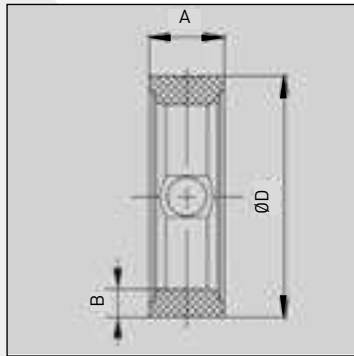
air to open-spring to close		spring to open-air to close		air to open-air to close	
SIZES	ID-NO.	ID-NO.	ID-NO.	ID-NO.	ID-NO.
DN 15-20	2707045	2707173	2707046	2707046	2707046
DN 25-40/1"-1.5"/ISO 25-40	2707042	2707065	2707047	2707047	2707047
DN 50-100/2"-4"/ISO 50-100	2707043	2707066	2707048	2707048	2707048
DN 125-150/5"-6"	2311438	2146333	2146334	2146334	2146334

4

Additional Charge for completely mounted Valve

EXECUTION	ADD. CHARGE
Handle	
Actuator	

BUTTERFLY VALVES, ACCESSORIES



Butterfly Valve Seal

	EPDM				FKM		HNBR		VMQ	
METRIC	A	B	ØD	ID-NO.	ID-NO.	ID-NO.	ID-NO.	ID-NO.	ID-NO.	
10	16.4	9.0	40.0	S0000093	S0000106	S0001959	S0000080			
15	16.4	9.0	40.0	S0000093	S0000106	S0001959	S0000080			
20	16.4	9.0	40.0	S0000093	S0000106	S0001959	S0000080			
25	18.8	7.3	39.9	2317000	S0000099	S0001950	S0000073			
32	18.7	7.4	45.3	2317001	S0000100	S0001951	S0000074			
40	19.0	8.0	52.7	2317002	S0000101	S0001952	S0000075			
50	20.1	7.8	65.0	2317003	S0000102	S0001953	S0000076			
65	23.3	8.3	82.5	2317004	S0000103	S0001954	S0000077			
80	26.0	9.1	98.0	2317005	S0000104	S0001955	S0000078			
100	27.1	8.2	117.3	2317006	S0000105	S0005307	S0005324			
125	40.3	12.8	150.3	2317007	S0005335	S0005308	S0005325			
150	40.3	13.1	176.0	2317008	S0005336	S0005309	S0005326			

	EPDM				FKM		HNBR		VMQ	
OD-TUBE/ZOLL	A	B	ØD	ID-NO.	ID-NO.	ID-NO.	ID-NO.	ID-NO.	ID-NO.	
1.0"	16.4	9.0	40.0	S0000093	S0000106	S0001959	S0000080			
1.5"	18.8	7.9	51.5	S0000094	S0000107	S0001960	S0000081			
2.0"	20.8	8.5	64.0	S0000095	S0000108	S0001961	S0000082			
2.5"	22.3	9.8	79.8	2317013	S0000109	S0001962	S0000083			
3.0"	23.1	8.8	89.4	2317014	S0000110	S0001963	S0000084			
4.0"	25.3	9.9	115.9	2317015	S0000111	S0001964	S0000085			
6.0"	40.3	13.1	176.0	2317008	S0005336	S0005309	S0005326			

EPDM				
ISO	A	B	ØD	ID-NO.
10	16.4	9.0	40.0	S0000093
15	16.4	9.0	40.0	S0000093
20	16.4	9.0	40.0	S0000093
25	19.0	8.0	45.4	2317016
32	19.0	8.0	53.7	2317017
40	24.0	8.0	60.0	2317018
50	24.0	8.0	72.0	2317019
65	24.0	8.0	87.8	2317020
80	24.0	8.0	100.0	2317021
100	26.0	8.0	124.5	2317022
125	43.0	12.8	159.5	2317023
150	43.0	12.8	188.1	2317024

HNBR	
ID-NO.	
S0001959	
S0001959	
S0001959	
2154357	
2154491	
2154358	
2154359	
2154490	
2153546	
2153548	
2154365	
S0005309	



O-Ring for Sandwich Style between Small Flanges Execution K 587/K 667/K 687

EPDM		FKM		HNBR		VMQ	
METRIC	ID-NO.	ID-NO.	ID-NO.	ID-NO.	ID-NO.	ID-NO.	ID-NO.
15	2912860	2101379	2130803	0962258			
20	2912861	2101378	2101603	0962266			
25	2912862	2101377	2130810	0497925			
32	2912863	2101376	2130814	0544130			
40	2912864	2101375	2130818	2101397			
50	2912865	2101374	2130828	2101398			
65	2912866	2101373	2130789	0544171			
80	2912867	2101372	2130787	0962274			
100	2912868	2101371	2130844	0962282			
125	2159420	2101392	2130850	2101393			
150	2154862	2101395	2130856	2101394			

EPDM		FKM		HNBR		VMQ	
ZOLL/OD-TUBE	ID-NO.	ID-NO.	ID-NO.	ID-NO.	ID-NO.	ID-NO.	ID-NO.
1.0"	2912889	2101386	2130808	2101402			
1.5"	2912890	2101385	2130816	2101403			
2.0"	2912891	2101384	2130826	2101404			
2.5"	2159465	2101383	2130834	2101401			
3.0"	2912893	2101382	2130837	2101400			
4.0"	2159455	2101381	2130843	2101399			
6.0"	2154862	2101395	2130856	2101394			

EPDM	
ISO	ID-NO.
25	0911404
32	2912864
40	2159456
50	2159393
65	0963066
80	2159458
100	2159459

Sets of Seals for pneumatic Actuator

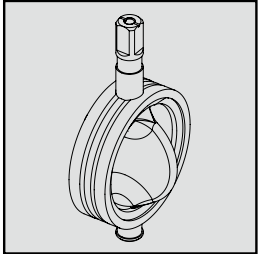
air to open-spring to close air to open-air to close

NBR		NBR	
SIZES	ID-NO.	ID-NO.	ID-NO.
DN 25-80/1"-3"/ISO 25-80	2703021	2703021	2703021
DN 100/4"/ISO 100	2703021	2703021	2703021
DN 125-150/5"-6"	2002374	2002374	2002374

BUTTERFLY VALVES, ACCESSORIES

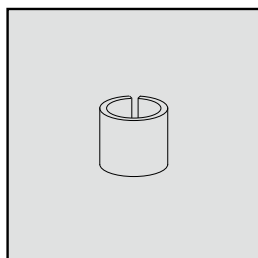
Pre-Assembled Butterfly Valve Seal (PTFE-laminated EPDM) with Valve-Disc

METRIC	ID-NO.	OD-TUBE	ID-NO.
40	2011757	1.5"	2011772
50	2011773	2.0"	2011779
65	2011774	2.5"	2011780
80	2011778	3.0"	2011781
		4.0"	2011792



3.1

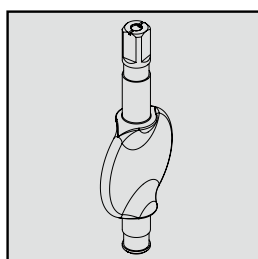




Bearing Seat for Butterfly Valve Disc, single piece*

SIZES	ID-NO.
DN 15-40/1"-1.5"/ISO 25-40	S0000443
DN 50-80/2"-3"/ISO 50-80	S0000444
DN 100/4"/ISO 100	S0000445
DN 125-150/5"-6"	2130930

*Two pieces required for each Butterfly Valve Disc



Butterfly Valve Disc

METRIC	ID-NO.	ZOLL/OD-TUBE	ID-NO.	ISO	ID-NO.
15*	S0000441	1.0"	S0000467	25	2128610
20*	S0000439	1.5"	S0000468	40	2128611
25	S0000114	2.0"	S0000469	50	2128609
40	S0000160	2.5"	S0000470	65	S0000471
50	S0000161	3.0"	S0000471	80	2128613
65	S0000465	4.0"	S0000472	100	2128614
80	S0000163				
100	S0000164				
125	2102684				
150	0508622				

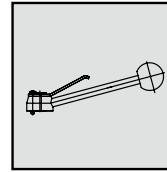
*Types K587/K667/K687 with sizes DN15/20 generally equipped with S0000441

BUTTERFLY VALVES, SPARE PARTS

Handle stainless steel handle with intermediate position

Z 590 E (for K 580-588)

SIZES	ID-NO.
DN 15-40/1"-1.5"/ISO 25-40	2130374
DN 50-100/2"-4"/ISO 50-100	2025319
DN 125-150/5"-6"	0231894

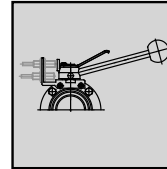


Handle stainless steel with intermediate position

incl. mounting set for 2 proximity switches M12 round (without proximity switches)

Z 590 ER (for K 580-586/588)

SIZES	ID-NO.
DN 10-15	2304618
DN20	2166013
DN 25-40/1"-1.5"/ISO 25-40	2013596
DN 50-100/2"-4"/ISO 50-100	2019242
DN 125-150/5"-6"	2007401



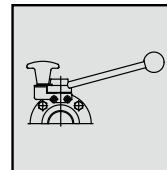
Z 590 ER (for K 587)

SIZES	ID-NO.
DN 10-20	2304618
DN 25-40/1"-1.5"/ISO 25-40	2013596
DN 50-100/2"-4"/ISO 50-100	2019242
DN 125-150/5"-6"	2007401

Handle stainless steel handle with continuous stop

Z 580 KK (for K 580-586/K 588)

SIZES	ID-NO.
DN 15-20	2302585
DN 25-40/1"-1.5"/ISO 25-40	2300869
DN 50-100/2"-4"/ISO 50-100	0852442
DN 125-150/5"-6"	2300870

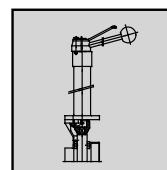


Z 580 KK (for K 587)

SIZES	ID-NO.
DN 15-20	0421156
DN 25-40/1"-1.5"/ISO 25-40	2300869
DN 50-100/2"-4"/ISO 50-100	0852442
DN 125-150/5"-6"	2300870

Handle Extension

SIZES	ID-NO.
Generell / General	o.r.



SÜDMO

LEAKAGE BUTTERFLY VALVES

HYGIENIC LEAKAGE SAFE SHUT-OFF VALVES

3.2

CONTENTS

3.2.2 GENERAL INFORMATION AND TECHNICAL SPECIFICATION

3.2.4 LEAKAGE BUTTERFLY VALVES, SANDWICH STYLE BETWEEN SMALL FLANGES

3.2.6 LEAKAGE BUTTERFLY VALVE ACCESSORIES AND SPARE PARTS

SÜDMO

LEAKAGE BUTTERFLY VALVES

PENTAIR SÜDMO LEAKAGE BUTTERFLY VALVES HYGIENIC SHUT-OFF VALVES

Pentair Südmö's Leakage Butterfly Valve provides safe separation of incompatible fluids in a compact design. This valve provides significant advantages over traditional block and bleed installations.

By integrating two butterfly discs and independent vent/drain valves into a common housing, the Pentair Südmö Leakage Butterfly Valve completely isolates the self draining leakage chamber with a single valve housing and actuator. This valve offers double safety in minimal space.

The mix-proof feature provides excellent process safety in applications where the separation of incompatible media, e.g. product and cleaning-in-place must be ensured.

The special seal geometry with an expansion groove ensures low wear and long service life. Various compliant seal materials are available.

No special tools are required to change the seals making the valve quick and easy to maintain.

The optional setup from our control top IntelliTop 2.0 enables beside the valve monitoring also an decentralized pneumatic actuation of the leakage butterfly valve.



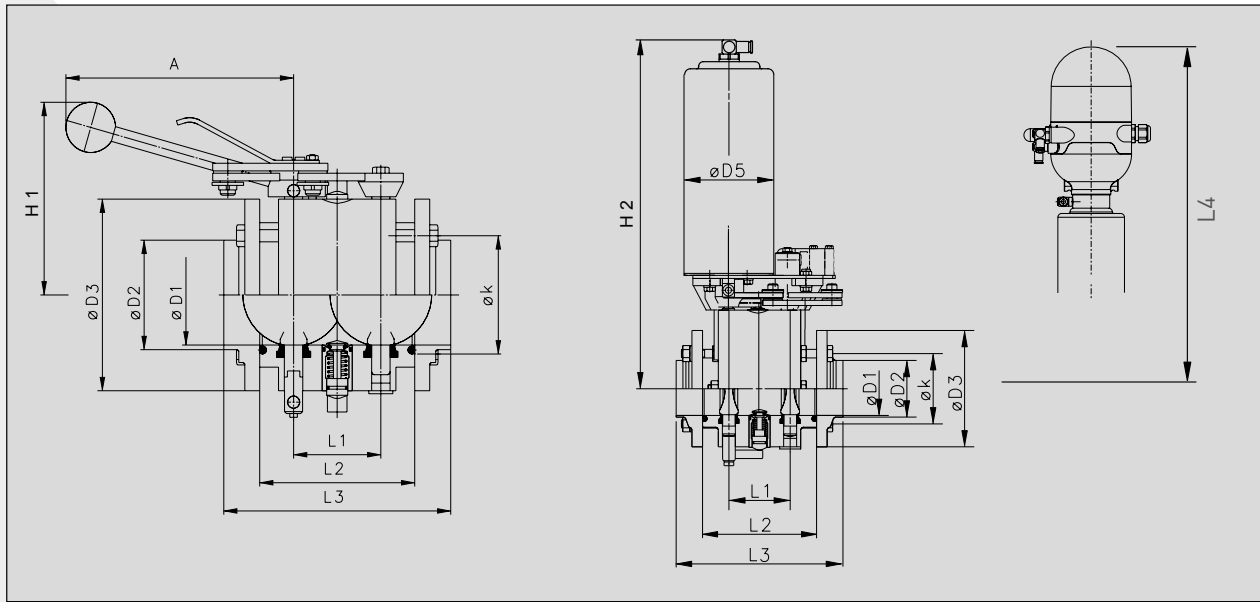
SÜDMO

LEAKAGE BUTTERFLY VALVES

TECHNICAL SPECIFICATION			
Materials	Product wetted parts	1.4404 (AISI 316 L)	
	Optional	1.4435 (AISI 316 L)	Other materials on request
	Parts not product wetted	1.4301 (AISI 304), 1.4307 (AISI 304 L)	
Seal Elements	Sealing materials (FDA)	EPDM	Other sealing materials on request
Temperatures	Continuous operating temperature	EPDM 130°C / 265° F*	
	Sterilization temperature	EPDM 140° C / 284° F* (approx. 20 min.)	
Pressures	Operating pressure	EPDM 10 bar (145 psi)	HNBR 10 bar (145 psi) PTFE-laminated 6 bar (87 psi)
		FKM 6 bar (87 psi)	VMQ 10 bar (145 psi)
	Control pressure	Min. 6 bar (87 psi) - max. 8 bar (116 psi)	
Surfaces	Product wetted surfaces	Ra ≤ 0,8 µm	
	Surfaces not product wetted	Bright-turned, Ra 1,6 µm	
	Optional	Surfaces product wetted e-polished, higher quality surfaces on request	

* Depending on operating parameters

LEAKAGE-KLAPPENVENTILE SANDWICH STYLE BETWEEN SMALL FLANGES



L 587
manually operated

L 667 / L 687
pneumatically operated

sandwich style between small flanges (wafer type)

METRIC	ØD1	ØD2	ØD3	ØD5	A	ØK	H1	H2	L1	L2	L3	L4	kg
25	26	29	84	88	150	67	90	286	58	108	158	479	4.9 / 9.1
32	32	35	90	88	150	73	96	289	58	108	158	482	5.4 / 9.6
40	38	41	96	88	150	80	101	292	58	108	158	485	5.9 / 10.0
50	50	53	109	88	170	93	116	299	58	108	158	492	7.0 / 11.2
65	66	70	126	88	170	110	124	307	58	108	158	500	8.5 / 12.7
80	81	85	141	88	170	125	132	315	58	108	158	508	9.8 / 20.0
100	100	104	161	127	170	145	148	326	58	108	158	519	12.0 / 22.1
125	125	129	200	127	270	180	200	395	80	140	200	593	25.1 / 34.4
150	150	154	230	127	270	210	220	410	80	140	200	608	32.1 / 41.2

OD-TUBE	ØD1	ØD2	ØD3	ØD5	A	ØK	H1	H2	L1	L2	L3	L4	kg
1.0"	22.1	25.4	84	88	150	67	90	286	58	108	158	479	4.9 / 9.1
1.5"	34.8	38.1	96	88	150	80	101	292	58	108	158	485	5.9 / 10.0
2.0"	47.5	50.8	109	88	170	93	116	299	58	108	158	492	7.0 / 11.2
2.5"	60.2	63.5	126	88	170	110	124	307	58	108	158	500	8.5 / 12.7
3.0"	72.9	76.2	141	88	170	125	132	315	58	108	158	508	9.8 / 20.0
4.0"	97.4	101.6	161	127	170	145	148	326	58	108	158	519	12.0 / 2.1
5.0"	122.8	127.0	200	127	270	180	200	395	80	140	200	593	
6.0"	146.9	152.4	230	127	270	210	220	410	80	140	200	608	

ISO	ØD1	ØD2	ØD3	ØD5	A	Øk	H1	H2	L1	L2	L3	L4	kg
25	29.7	33.7	84	88	150	67	104	286	58	108	158	479	4.9 / 9.1
32	38.4	42.4	96	88	150	80	110	289	58	108	158	482	5.4 / 9.6
40	44.3	48.3	96	88	150	80	110	292	58	108	158	485	5.9 / 10.0
50	56.3	60.3	109	88	170	93	117	299	58	108	158	492	7.0 / 11.2
65	71.5	76.1	141	88	170	125	133	315	58	108	158	500	8.5 / 12.7
80	84.3	88.9	141	88	170	125	133	315	58	108	158	508	9.8 / 20.0
100	109.1	114.3	161	127	170	145	143	326	58	108	158	519	12.0 / 2.1



LEAKAGE-KLAPPENVENTILE SANDWICH STYLE BETWEEN SMALL FLANGES

Leakage Butterfly Valve (EPDM)

L 587 manual, handle stainless steel

1.4404 (AISI 316 L)		1.4404 (AISI 316 L)		1.4404 (AISI 316 L)	
METRIC	ID-NO.	OD-TUBE	ID-NO.	ISO	ID-NO.
25	S0001270	1.0"	S0001284	25	S0004626
32	S0001271	1.5"	S0001285	32	S0004627
40	S0001272	2.0"	S0001286	40	S0004628
50	S0001273	2.5"	S0001287	50	S0004629
65	S0001274	3.0"	S0001288	65	S0004630
80	S0001275	4.0"	S0001289	80	S0004631
100	S0001276	5.0"	S0003875	100	S0004632
125	S0003300	6.0"	S0004150		
150	S0003301				

Leakage Butterfly Valve (EPDM)

L 667 pneumatic, air to open-spring to close

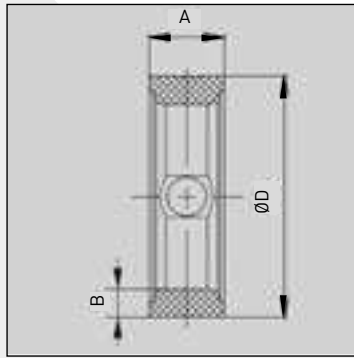
1.4404 (AISI 316 L)		1.4404 (AISI 316 L)		1.4404 (AISI 316 L)	
METRIC	ID-NO.	OD-TUBE	ID-NO.	ISO	ID-NO.
25	2910238	1.0"	2910244	25	2910249
32	2910239	1.5"	2910245	32	2910250
40	2910240	2.0"	2910246	40	2910251
50	2910241	2.5"	2910247	50	2910252
65	2910242	3.0"	2910248	65	2910253
80	2910243	4.0"	S0001295	80	2910254
100	S0001283	5.0"	S0003876	100	S0004639
125	S0003298	6.0"	S0004341		
150	S0003299				

Leakage Butterfly Valve (EPDM)

L 687 pneumatic, air to open-air to close

1.4404 (AISI 316 L)		1.4404 (AISI 316 L)		1.4404 (AISI 316 L)	
METRIC	ID-NO.	OD-TUBE	ID-NO.	ISO	ID-NO.
25	2910691	1.0"	2910697	25	2910702
32	2910692	1.5"	2910698	32	2910703
40	2910693	2.0"	2910699	40	2910704
50	2910694	2.5"	2910700	50	2910705
65	2910695	3.0"	2910701	65	2910706
80	2910696	4.0"	2910711	80	2910707
100	2910710	5.0"	o.r.	100	o.r.
125	o.r.	6.0"	o.r.		
150	o.r.				

LEAKAGE BUTTERFLY VALVES, ACCESSORIES



Butterfly Valve Seal

	EPDM				FKM		HNBR		VMQ	
METRIC	A	B	ØD	ID-NO.	ID-NO.	ID-NO.	ID-NO.	ID-NO.	ID-NO.	
10	16.4	9.0	40.0	S0000093	S0000106	S0001959	S0000080			
15	16.4	9.0	40.0	S0000093	S0000106	S0001959	S0000080			
20	16.4	9.0	40.0	S0000093	S0000106	S0001959	S0000080			
25	18.8	7.3	39.9	2317000	S0000099	S0001950	S0000073			
32	18.7	7.4	45.3	2317001	S0000100	S0001951	S0000074			
40	19.0	8.0	52.7	2317002	S0000101	S0001952	S0000075			
50	20.1	7.8	65.0	2317003	S0000102	S0001953	S0000076			
65	23.3	8.3	82.5	2317004	S0000103	S0001954	S0000077			
80	26.0	9.1	98.0	2317005	S0000104	S0001955	S0000078			
100	27.1	8.2	117.3	2317006	S0000105	S0005307	S0005324			
125	40.3	12.8	150.3	2317007	S0005335	S0005308	S0005325			
150	40.3	13.1	176.0	2317008	S0005336	S0005309	S0005326			

	EPDM				FKM		HNBR		VMQ	
OD-TUBE/ZOLL	A	B	ØD	ID-NO.	ID-NO.	ID-NO.	ID-NO.	ID-NO.	ID-NO.	
1.0"	16.4	9.0	40.0	S0000093	S0000106	S0001959	S0000080			
1.5"	18.8	7.9	51.5	S0000094	S0000107	S0001960	S0000081			
2.0"	20.8	8.5	64.0	S0000095	S0000108	S0001961	S0000082			
2.5"	22.3	9.8	79.8	2317013	S0000109	S0001962	S0000083			
3.0"	23.1	8.8	89.4	2317014	S0000110	S0001963	S0000084			
4.0"	25.3	9.9	115.9	2317015	S0000111	S0001964	S0000085			
5.0"	40.3	12.8	150.3	2317007	S0005335	S0005308	S0005325			
6.0"	40.3	13.1	176.0	2317008	S0005336	S0005309	S0005326			

EPDM				
ISO	A	B	ØD	ID-NO.
10	16.4	9.0	40.0	S0000093
15	16.4	9.0	40.0	S0000093
20	16.4	9.0	40.0	S0000093
25	19.0	8.0	45.4	2317016
32	19.0	8.0	53.7	2317017
40	24.0	8.0	60.0	2317018
50	24.0	8.0	72.0	2317019
65	24.0	8.0	87.8	2317020
80	24.0	8.0	100.0	2317021
100	26.0	8.0	124.5	2317022
125	43.0	12.8	159.5	2317023
150	43.0	12.8	188.1	2317024

HNBR	
ID-NO.	
S0001959	
S0001959	
S0001959	
2154357	
2154491	
2154358	
2154359	
2154490	
2153546	
2153548	
2154365	
S0005309	



O-Ring for Sandwich Style between Small Flanges Execution L 587/L 667/L 687

EPDM		FKM		HNBR		VMQ	
METRIC	ID-NO.	ID-NO.	ID-NO.	ID-NO.	ID-NO.	ID-NO.	ID-NO.
15	2912860	2101379	2130803	2130803	0962258	0962258	0962258
20	2912861	2101378	2101603	2101603	0962266	0962266	0962266
25	2912862	2101377	2130810	2130810	0497925	0497925	0497925
32	2912863	2101376	2130814	2130814	0544130	0544130	0544130
40	2912864	2101375	2130818	2130818	2101397	2101397	2101397
50	2912865	2101374	2130828	2130828	2101398	2101398	2101398
65	2912866	2101373	2130789	2130789	0544171	0544171	0544171
80	2912867	2101372	2130787	2130787	0962274	0962274	0962274
100	2912868	2101371	2130844	2130844	0962282	0962282	0962282
125	2159420	2101392	2130850	2130850	2101393	2101393	2101393
150	2154862	2101395	2130856	2130856	2101394	2101394	2101394

EPDM		FKM		HNBR		VMQ	
OD-TUBE	ID-NO.	ID-NO.	ID-NO.	ID-NO.	ID-NO.	ID-NO.	ID-NO.
1.0"	2912889	2101386	2130808	2130808	2101402	2101402	2101402
1.5"	2912890	2101385	2130816	2130816	2101403	2101403	2101403
2.0"	2912891	2101384	2130826	2130826	2101404	2101404	2101404
2.5"	2159465	2101383	2130834	2130834	2101401	2101401	2101401
3.0"	2912893	2101382	2130837	2130837	2101400	2101400	2101400
4.0"	2159455	2101381	2130843	2130843	2101399	2101399	2101399
5.0"	2159420	2101392	2130850	2130850	2101393	2101393	2101393
6.0"	2154862	2101395	2130856	2130856	2101394	2101394	2101394

EPDM	
ISO	ID-NO.
25	0911404
32	2912864
40	2159456
50	2159393
65	0963066
80	2159458
100	2159459

Sets of Seals for Pneum. Stainless Steel Actuator

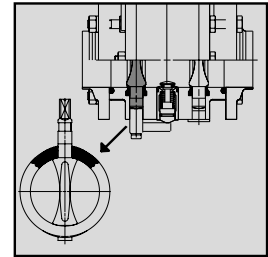
air to open-spring to close air to open-air to close

NBR		NBR	
SIZES	ID-NO.	ID-NO.	ID-NO.
DN 25-80/1"-3"/ISO 25-80	2703021	2703021	2703021
DN 100/4"/ISO 100	2002374	2002374	2002374
DN 125-150/5"-6"	2002374	2002374	2002374

LEAKAGE BUTTERFLY VALVES, ACCESSORIES

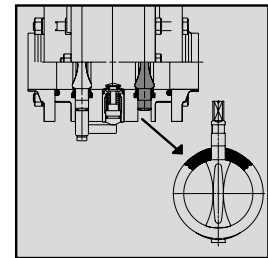
Pre-Assembled Butterfly Valve Seal (PTFE-laminated EPDM) with Valve-Disc 1 (with control pin)

METRIC	ID-NO.	OD-TUBE	ID-NO.
40	2154073	1.5"	2140554
50	2154074	2.0"	2140555
65	2154075	2.5"	2154070
80	2154076	3.0"	2154071
		4.0"	2154072



Pre-Assembled Butterfly Valve Seal (PTFE-laminated EPDM) with Valve-Disc 2 (without control pin)

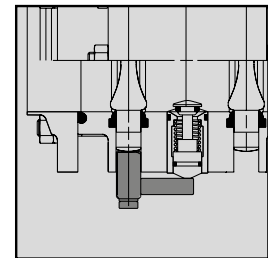
METRIC	ID-NO.	OD-TUBE	ID-NO.
40	2011757	1.5"	2011772
50	2011773	2.0"	2011779
65	2011774	2.5"	2011780
80	2011778	3.0"	2011781
		4.0"	2011792



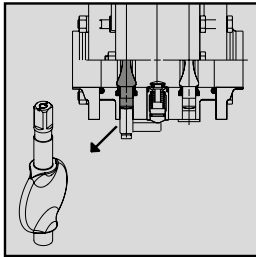
Control Pin including hexagon bolt
necessary initial assembly of valve disc 1 with PTFE-laminated seal

METRIC	ID-NO.		OD-TUBE	ID-NO.
40	2109692	o.r.	1.5"	2109692
50	2123547	o.r.	2.0"	2123547

Standard control pin can be used further on valves with sizes DN 65/80 as well as 2.5"-4" OD-tube.

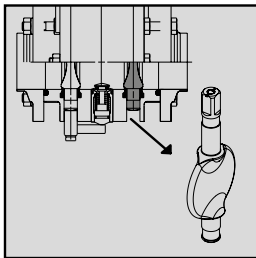


Valve-Disc 1

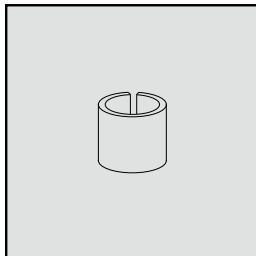


METRIC	ID-NO.	OD-TUBE	ID-NO.
25	S0000512	1.0"	S0000517
32	S0000513	1.5"	S0000518
40	S0000437	2.0"	S0000519
50	S0000438	2.5"	S0000520
65	S0000514	3.0"	S0000521
80	S0000515	4.0"	S0000522
100	S0000516		

Valve-Disc 2



METRIC	ID-NO.	OD-TUBE	ID-NO.
25	S0000114	1.0"	S0000467
32	S0000462	1.5"	S0000468
40	S0000160	2.0"	S0000469
50	S0000161	2.5"	S0000470
65	S0000465	3.0"	S0000471
80	S0000163	4.0"	S0000472
100	S0000164		



Bearing Seat for Butterfly Valve Disc, single piece*

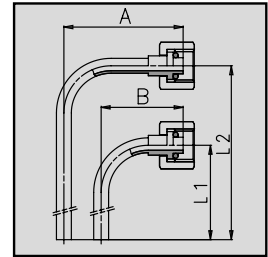
SIZES	ID-NO.
DN 15-40/1"-1.5"/ISO 25-40	S0000443
DN 50-80/2"-3"/ISO 50-80	S0000444
DN 100/4"/ISO 100	S0000445
DN 125-150/5"-6"	2130930

*Two pieces required for each Butterfly Valve Disc

LEAKAGE BUTTERFLY VALVES, ACCESSORIES

Leakage Bend 90°

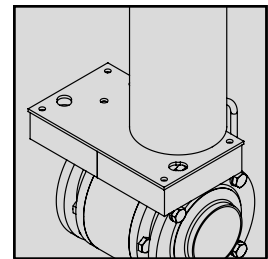
Upper leakage outlet			
SIZES	A	L2	ID-NO.
DN 25-100/1"-4"/ISO 25-100	48	300	0163147
DN 125-150	56	325	0566067
Lower leakage outlet			
SIZES	A	L2	ID-NO.
DN 25-100/1"-4"/ISO 25-100	33	130	0554394
DN 125-150	36	130	0566059



Optional Fingerguard

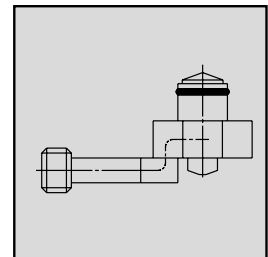
for pneumatic Leakage Butterfly Valves

SIZES	ADDITIONAL CHARGE
DN 25-40/1"-1.5"/ISO 25-40	
DN 50-80/2"-3"/ISO 50-80	
DN 100/4"/ISO 100	
DN 125-150	

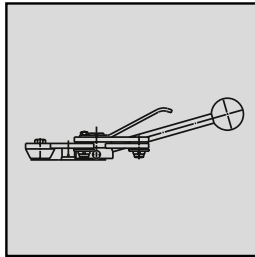


Rinsing and Drain Insert (EPDM)

SIZES	ID-NO.
DN 25-100/1"-4"/ISO 25-100	0034108
DN 125-150	2154898

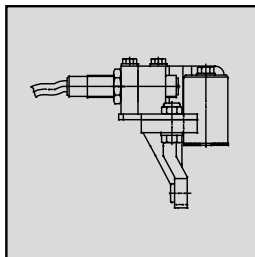


Handle with Switching Device for Leakage Butterfly Valve stainless steel handle with intermediate positions



Z 590 E

SIZES	ID-NO.
DN 25-40/1"-1.5"	0237867
DN 50-100/2"-4"	0237875
DN 125-150	2019909

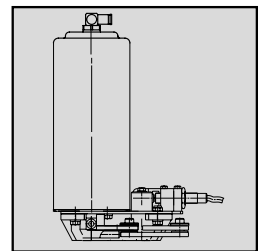


Mounting Set for Leakage Butterfly Handle for 2 proximity switches round (without proximity switches)

SIZES	ID-NO.
DN 25-40/1"-1.5"/ISO 25-40	2300882
DN 50-100/2"-4"/ISO 50-100	2008961
DN 125-150	2341585

Stainless Steel Actuator, Pneumatic with switching device, incl. mounting set for 2 proximity switches M12 round

Z 690 L



air to open-spring to close

SIZES	ID-NO.
DN 25-40/1"-1.5"	2701917
DN 50-80/2"-3"	2701918
DN 100/4"	2012959
DN 125-150/5"-6"	S0004641

SIZES	ID-NO.
ISO 25	2707006
ISO 32	2701917
ISO 40	2707006
ISO 50	2707007
ISO 65	2701918
ISO 80	2707007
ISO 100	o.r.



SÜDMO

BALL VALVES

CONTENTS

3.3.2 GENERAL INFORMATION AND TECHNICAL SPECIFICATION

3.3.4 BALL VALVES, SANDWICH STYLE BETWEEN SMALL FLANGES

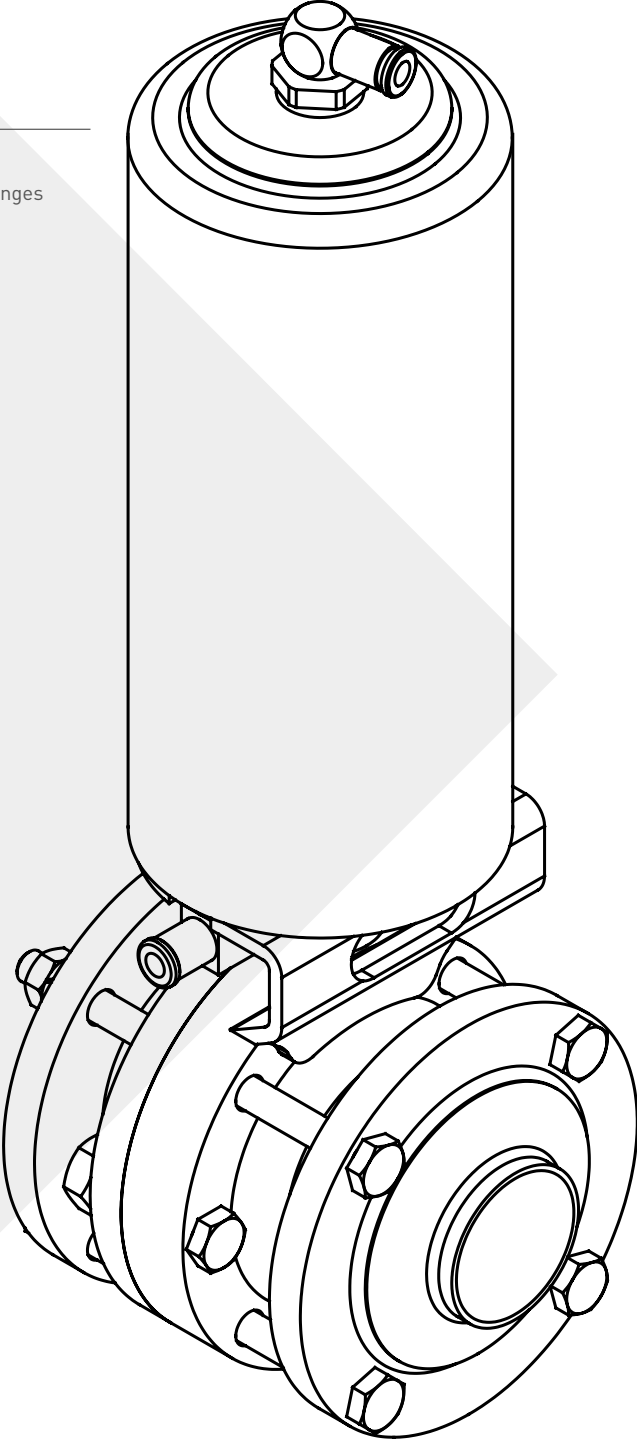
3.3.6 BALL VALVE ACCESSORIES AND SPARE PARTS

SÜDMO BALL VALVES

PENTAIR SÜDMO BALL VALVES
VERSATILE AND ROBUST VALVE
TECHNOLOGY

Ball Valve

Sandwich Style between Small Flanges
(Wafer Type), pneumatic



3.3



SÜDMO BALL VALVES

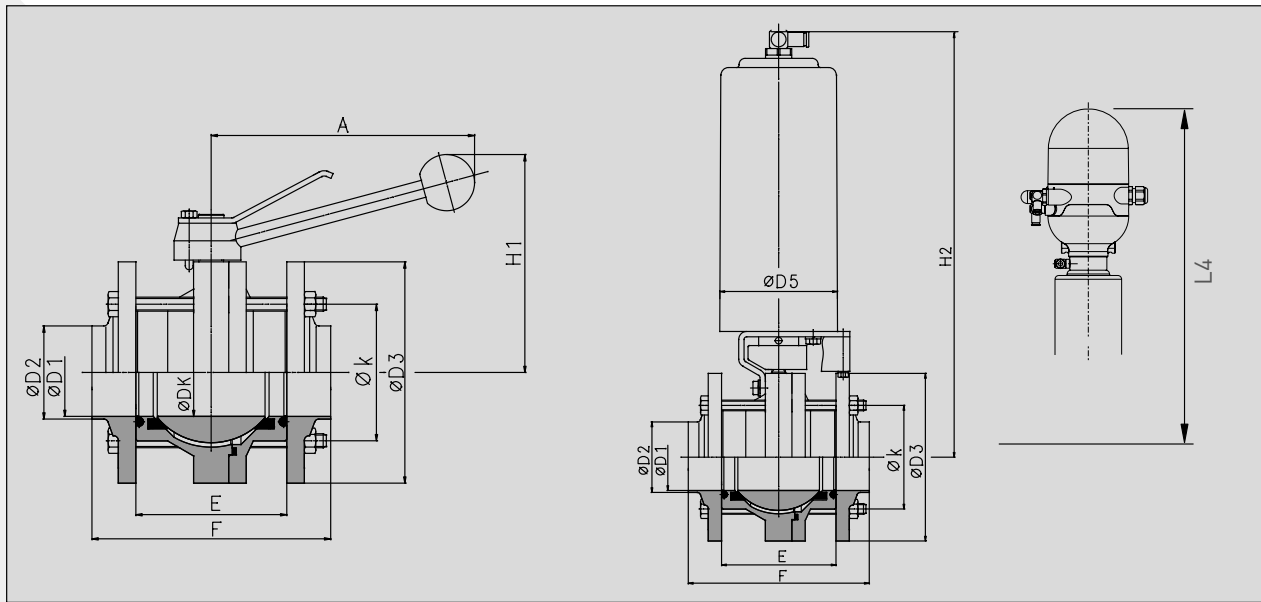
TECHNICAL SPECIFICATION	
Materials	Product wetted parts 1.4404 (AISI 316 L), 1.4307 (AISI 304 L)
	Optional 1.4435 (AISI 316 L) Other materials on request
	Parts not product wetted 1.4301 (AISI 304), 1.4307 (AISI 304 L)
Sealing Elements	Sealing materials (FDA) EPDM-PTFE Other sealing materials on request
Temperatures	Continuous operating temperature EPDM-PTFE 120° C / 245° F*
	Sterilization temperature EPDM-PTFE 135° C / 275° F* (approx. 20 min.)
Pressures	Operating pressure 10 bar (145 psi)
	Control pressure Min. 6 bar (87 psi) - max. 8 bar (116 psi)
Surfaces	Product wetted surfaces Ra < 0,8 µm
	Surfaces not product wetted Bright-turned, Ra 1,6 µm
	Optional Surfaces product wetted e-polished, higher quality surfaces on request

* Depending on operating parameters

BALL VALVES

SANDWICH STYLE BETWEEN SMALL FLANGES

3.3



H 587
manually operated

H 667 / H 687
pneumatically operated

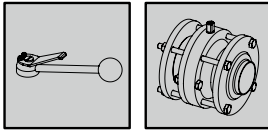
sandwich style between small flanges (wafer type)

METRIC	ØD1	ØD2	ØD3	ØD5	A	H1	H2	E	F	Øk	L4	ØDk	kg
10	10	13	59	88	150	90	271	50	100	44	463	10	1.4 / 4.6
15	16	19	63.5	88	150	92	273	50	100	50	465	16	1.5 / 4.7
20	20	23	70	88	150	95	276	56	106	57	465	20	1.8 / 5.0
25	26	29	84	88	177	113	283	67	117	67	476	26	2.9 / 6.0
32	32	35	95	88	177	119	289	72	122	80	482	32	3.5 / 6.7
40	38	41	109	88	177	126	296	76	126	93	489	38	4.5 / 7.7
50	50	53	126	88	177	134	304	86	136	110	497	50	5.8 / 8.9
65	66	70	139	127	216	152	362	109	159	125	555	66	9.2 / 18.1
80	81	85	159	127	216	162	370	126	176	145	563	81	12.3 / 21.1
100	100	104	198	127	216	181	391	156	216	180	590	100	22.3 / 32.1
OD-TUBE	ØD1	ØD2	ØD3	ØD5	A	H1	H2	E	F	Øk	L4	ØDk	kg
1.0"	22.1	25.4	84	88	177	113	283	67	117	67	476	26	2.9 / 6.0
1.5"	34.8	38.1	109	88	177	126	296	76	126	93	480	38	4.5 / 7.7
2.0"	47.5	50.8	126	88	177	134	304	86	136	110	497	50	5.8 / 8.9
2.5"	60.2	63.5	139	127	216	152	362	109	159	125	555	66	9.2 / 18.1
3.0"	72.9	76.2	159	127	216	162	370	126	176	145	563	81	12.3 / 21.1
4.0"	97.6	101.6	198	127	216	181	391	156	216	180	590	100	22.3 / 32.1



BALL VALVES

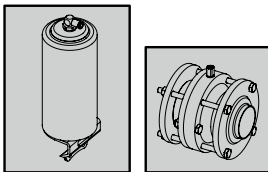
SANDWICH STYLE BETWEEN SMALL FLANGES



Ball Valve (PTFE-EPDM)

H 587 manual, handle stainless steel

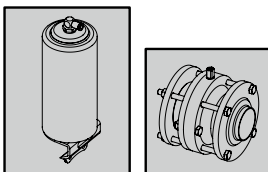
1.4404 (AISI 316 L)		1.4404 (AISI 316 L)	
METRIC	ID-NO.	OD-TUBE	ID-NO.
10	S0004497	1.0"	S0004496
15	S0004711	1.5"	S0004732
20	S0004712	2.0"	S0004733
25	S0004713	2.5"	S0004386
32	S0004714	3.0"	S0004387
40	S0001360	4.0"	S0004734
50	S0004715		
65	S0004477		
80	S0004716		
100	S0004717		



Ball Valve (PTFE-EPDM)

H 667 pneumatic, air to open-spring to close

1.4404 (AISI 316 L)		1.4404 (AISI 316 L)	
METRIC	ID-NO.	OD-TUBE	ID-NO.
10	2910295	1.0"	2910302
15	2910296	1.5"	2910303
20	2910297	2.0"	2910304
25	2910298	2.5"	S0004736
32	2910299	3.0"	S0004417
40	2910300	4.0"	S0004737
50	2910301		
65	S0004476		
80	S0004301		
100	S0004710		



Ball Valve (PTFE-EPDM)

H 687 pneumatic, air to open-air to close

ID-Numbers on request, prices correspond to the related air to open-spring to close variant H 667

BALL VALVE, ACCESSORIES / SPARE PARTS

Sets of Seals for Ball Valves

PTFE-EPDM	
SIZES	ID-NO.
10	0912584
15	0090506
20	0205559
25 / 1.0"	0161943
32	0089680
40 / 1.5"	0442137
50 / 2.0"	0385153
65 / 2.5"	0289975
80 / 3.0"	0565655
100 / 4.0"	0021220

Additional O-Ring necessary for Ball Valves Sandwich Style between Small Flanges H 587/H 667/H 687

	EPDM	FKM	HNBR	VMQ
METRIC	ID-NO.	ID-NO.	ID-NO.	ID-NO.
10	2912859	2101380	2003750	2101396
15	2912860	2101379	2130803	0962258
20	2912861	2101378	2101603	0962266
25	2912862	2101377	2130810	0497925
32	2912863	2101376	2130814	0544130
40	2912864	2101375	2130818	2101397
50	2912865	2101374	2130828	2101398
65	2912866	2101373	2130789	0544171
80	2912867	2101372	2130787	0962274
100	2912868	2101371	2130844	0962282

	EPDM	FKM	HNBR	VMQ
OD-TUBE	ID-NO.	ID-NO.	ID-NO.	ID-NO.
1.0"	2912889	2101386	2130808	2101402
1.5"	2912890	2101385	2130816	2101403
2.0"	2912891	2101384	2130826	2101404
2.5"	2159465	2101383	2130834	2101401
3.0"	2912893	2101382	2130837	2101400
4.0"	2159455	2101381	2130843	2101399

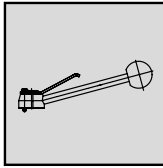
Sets of Seals for Pneum. Stainless Steel Actuator

air to open-spring to close

air to open-air to close

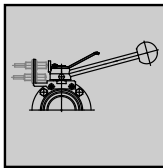
	NBR	NBR
SIZES	ID-NO.	ID-NO.
DN 10-50/1"-2"	2703021	o.r.
DN 65-100/2.5"-4"	2002374	o.r.





Handle Stainless Steel Handle
Z 590 E

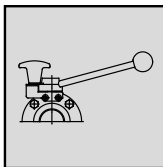
SIZES	ID-NO.
10-20	2130374
25-50 / 1.0"-2.0"	2025319
65-100 / 2.5"-4.0"	0231894



Handle Stainless Steel Handle
Including Mounting Set for 2 Proximity Switches M12 round (without Proximity Switches)

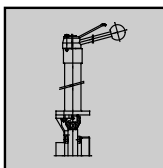
Z 590 ER

SIZES	ID-NO.
10	2142821
15	2142820
20	2142819
25-32 / 1.0"	2142620
40-50 / 1.5"-2.0"	2019242
65 / 2.5"	2142818
80 / 3.0"	o.r.
100 / 4.0"	o.r.



Handle Stainless Steel Handle with Continuous Stop
Z 580 KK

SIZES	ID-NO.
General	o.r.

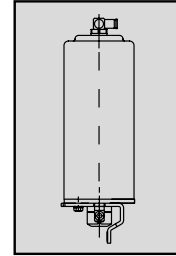
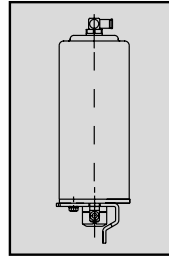
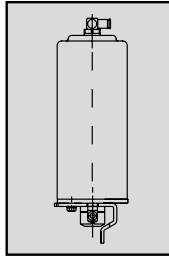


Handle Extension

SIZES	ID-NO.
General	o.r.

Stainless Steel Actuator, Pneumatic incl. mounting set for 2 proximity switches M12 round

Z 690 K for Ball Valve



air to open-spring to close

spring to open-air to close

air to open-air to close

SIZES	ID-NO.	ID-NO.	ID-NO.
10	2707073	2707085	2707079
15	2707074	2707086	2707080
20	2707074	2707086	2707080
25 / 1.0"	2707075	2707087	2707081
32	2707075	2707087	2707081
40 / 1.5"	2707076	2707088	2707082
50 / 2.0"	2707076	2707088	2707082
65 / 2.5"	2707077	2707089	2707083
80 / 3.0"	2707078	2707090	2707084
100 / 4.0"	2707077	2707089	2707083

3.3



SÜDMO

CONTROL SYSTEMS

CONTENTS

4.0 INTELLITOP 2.0 - GENERAL INFORMATION AND
TECHNICAL SPECIFICATION

4.1 INTELLITOP 2.0

4.2 PROXIMITY SWITCHES, PLUGS AND CABLES

CONTROL SYSTEMS

4

OVERVIEW

HELP

CONTACT

LEGAL NOTICE

SÜDMO INTELLITOP® 2.0

INTELLIGENT CONTROL TECHNOLOGY

PENTAIR SÜDMO INTELLITOP® 2.0

The innovative control unit offers the customer countless possibilities for automation of process systems, and hence considerable potential for increasing efficiency. It combines control and monitoring of process valves in one unit. The decentral arrangement of the control heads on the process valves allows a reduction in hose and cable lengths and leads to a clear system structure.

The heart of the IntelliTop 2.0 is the travel measurement system to detect up to three switch positions of the process valve. Great emphasis has been placed on simple programming by means of three Teach-In keys. This guarantees rapid and process-reliable commissioning. At the same time, the closed travel measurement system serves as a protective tube which prevents risk of injury when the control head is open, and protects the internal technology on installation of the head.

BENEFITS INTELLITOP® 2.0

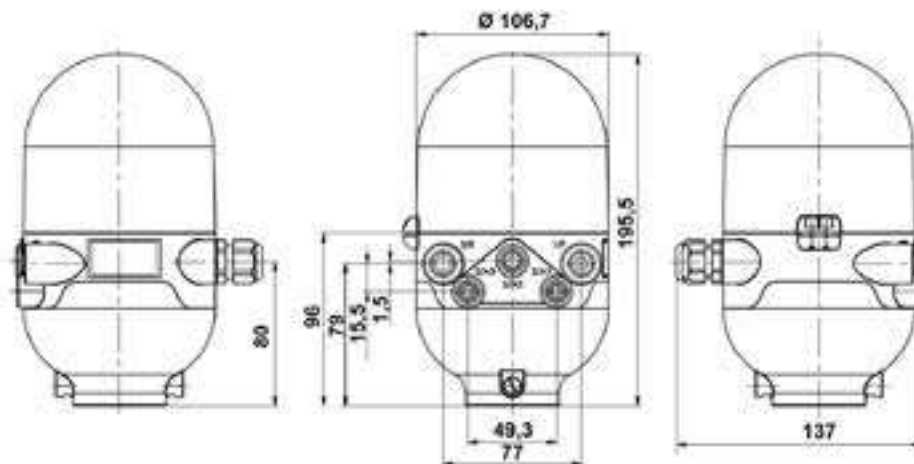
- Process-reliable system monitoring, simple, intuitive and rapid implementation
- Process valve switch times can be set using integral supply and extraction air chokes
- All-round LED display for visual status monitoring (color allocation can be configured)
- Simplified valve maintenance thanks to maintenance function which can be activated externally
- Plant-specific adaptations via integrated microcontroller
- Integrated microcontroller supplies additional information
- Short air hose and cable routes, clear structure of process plant
- Simple, rapid fault analysis and repair, so reduction in plant downtimes
- Compact construction and optimum compatibility with Pentair SüdmO process valves
- Scanning of all valve positions possible in double-seat valve



SÜDMO INTELLITOP® 2.0

INTELLIGENT CONTROL TECHNOLOGY

TECHNICAL SPECIFICATION	
Communication	24 V DC, AS-Interface, DeviceNet, 110 V AC
Path measuring system	Lifting range 85 mm
	Feedback 3 teachable positions
	Connection for external signal
Solenoid valves	Pieces 0 - 3
	Flowrate (QNn) 200L/min (7,0 CN ft/min) per valve
	Throttle function Inlet and outgoing air separate
Control air pressure	2.5 (36,25 psi) - 8.0 bar (116 psi)
Pneumatic connections	Ø 6 mm hose plug connectors (optional 1/4") and Ø 8 mm (5/16")
LED status display	green / yellow / red / free configuration
Protection class	IP65 / IP67 / (IP69K)
Ex area	EX II 3G Ex nA II T6 X
	EX II 3D Ex tD A22 IP67 T70°C X



4.0



SÜDMO

INTELLITOP® 2.0 – INTELLIGENT CONTROL TECHNOLOGY

CONTENTS

4.1.2 INTELLITOP® 2.0 24 V DC

4.1.3 INTELLITOP® 2.0 AS-INTERFACE

4.1.4 INTELLITOP® 2.0 DEVICENET

4.1.5 INTELLITOP® 2.0 110 V AC

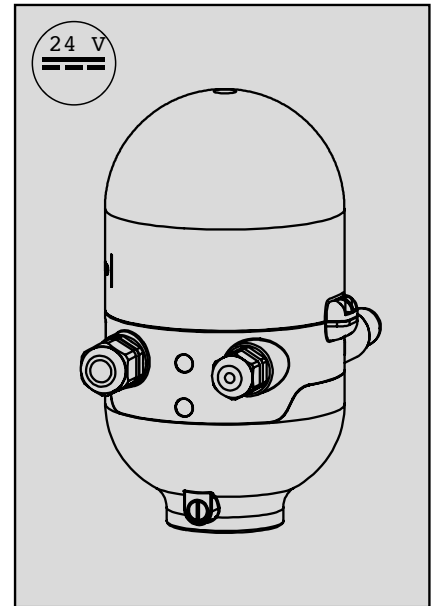
4.1.6 INTELLITOP® 2.0 ACCESSORIES AND SPARE PARTS

4.1

**Control Top
IntelliTop® 2.0
24 V DC**

Connections:
1 x cable gland Ø 5-10mm

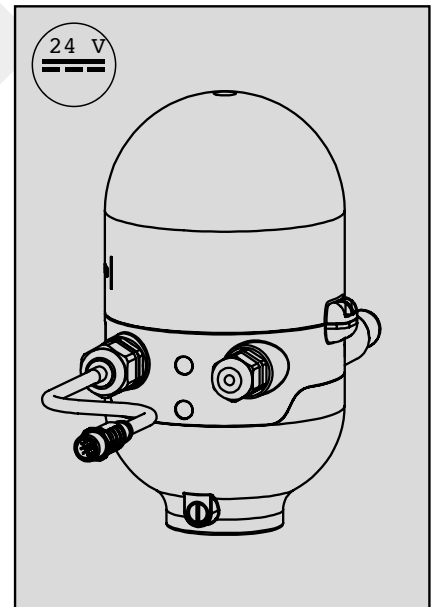
TYPE	SOLENOID	kg	ID-NO.
I900K 2.0	0	1.3	2307100
I901K 2.0	1	1.3	2307101
I902K 2.0	2	1.3	2307102
I903K 2.0	3	1.3	2307103



**Control Top
IntelliTop® 2.0
24 V DC**

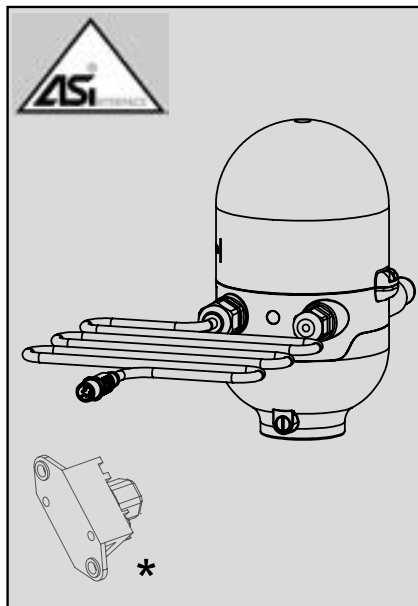
Connections:
1 x 10cm cable with 12-pin-plug M12 (IEC 61076-2-101)

TYPE	SOLENOID	kg	ID-NO.
I900SK 2.0	0	1.3	2307110
I901SK 2.0	1	1.3	2307111
I902SK 2.0	2	1.3	2307112
I903SK 2.0	3	1.3	2307113



4.1





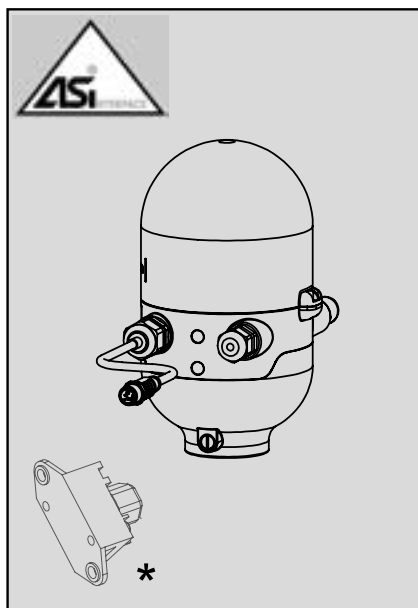
Control Top IntelliTop® 2.0 AS-Interface (Protocol 2.11)

Connections:

1 x 80cm cable with 4-pin-plug M12 (IEC 61076-2-101)

TYPE	SOLENOID	kg	ID-NO.
I910S 2.0	0	1.3	2307150
I911S 2.0	1	1.3	2307151
I912S 2.0	2	1.3	2307152
I913S 2.0	3	1.3	2307153

* Flat cable clamp for AS-Interface cable not included.
Please order separately; refer to chapter accessories and spare parts 4.1.8



Control Top IntelliTop® 2.0 AS-Interface (Protocol 2.11)

Connections:

1 x 10cm cable with 4-pin-plug M12 (IEC 61076-2-101)

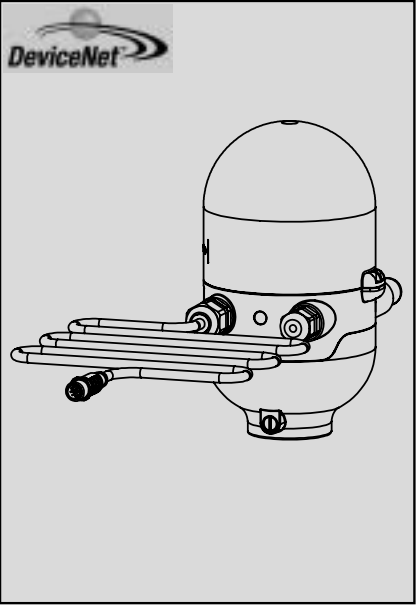
TYPE	SOLENOID	kg	ID-NO.
I910SK 2.0	0	1.3	2307140
I911SK 2.0	1	1.3	2307141
I912SK 2.0	2	1.3	2307142
I913SK 2.0	3	1.3	2307143

* Flat cable clamp for AS-Interface cable not included.
Please order separately; refer to chapter accessories and spare parts 4.1.8

**Control Top
IntelliTop® 2.0
DeviceNet**

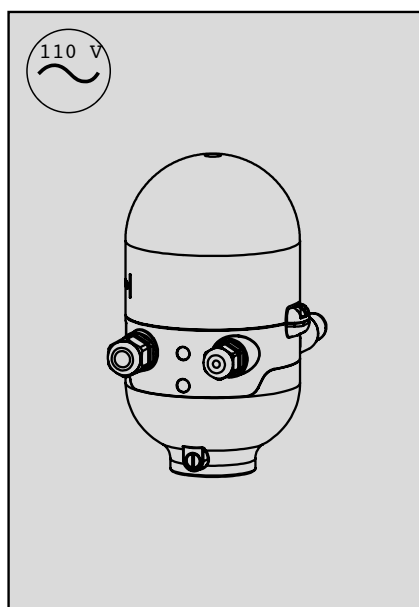
Connections:
1 x 80cm cable with 5-pin-plug M12 (IEC 61076-2-101)

TYPE	SOLENOID	kg	ID-NO.
I920S 2.0	0	1.3	2307180
I921S 2.0	1	1.3	2307181
I922S 2.0	2	1.3	2307182
I923S 2.0	3	1.3	2307183



4.1





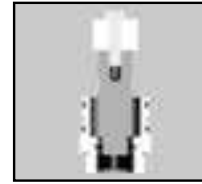
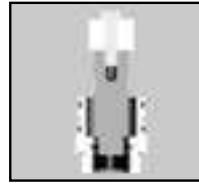
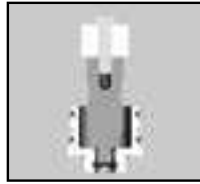
**Control Top
IntelliTop® 2.0
110 V AC**

Connections:

1 x cable gland Ø 5-10mm

TYPE	SOLENOID	kg	ID-NO.
I940K 2.0	0	1.3	2307210
I941K 2.0	1	1.3	2307211
I942K 2.0	2	1.3	2307212
I943K 2.0	3	1.3	2307213

Mounting Set for Single Seat Valves SVP Model 2000 / SVP Select / SD Economic

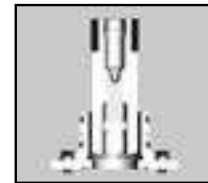


Metric DN 10-20
OD-Tube DN 0.5"-0.75"
DN ISO 8-15

Metric DN 25-100
OD-Tube DN 1.0"-4.0"
DN ISO 25-80

Metric DN 125-150
OD-Tube DN 5.0"-6.0"
DN ISO 100-125

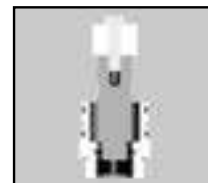
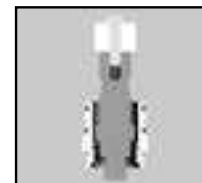
TYPE	ID-NO.	ID-NO.	ID-NO.
..370../..371../..372..	2144564	2146666	2144565
..373../..374..	2144564	2146666	2144565
..380..	2144564	2146666	2144565
..385../..386..	2144564	2146666	2144565
..390../..391../..392../..393..	2144564	2146666	2144565
..394..	2144564	2146666	2144565
SD 370 / 371		2146666	



Mounting Set for Double Seat Valves Model 1994 / Aseptic Process Valves M2010

Metric	25	40	50	65	80	100	125	150
OD-Tube	1.0"	1.5"	2.0"	2.5"	3.0"	4.0"		6.0"
TYPE	ID-NO.	ID-NO.	ID-NO.	ID-NO.	ID-NO.	ID-NO.	ID-NO.	ID-NO.
D 601 / D 602 / D 603 / D 604	2144566	2144566	2144566	2144563	2144563	2144563	2144568	2144568
D 611 / D 612 / D 613 / D 614	2144566	2144566	2144566	2144563	2144563	2144563	2144568	2144568
D 621 / D 622 / D 623 / D 624	2144566	2144566	2144566	2144563	2144563	2144563	2144568	2144568
D 631 / D 632 / D 633 / D 634	2144566	2144566	2144566	2144563	2144563	2144563	2144568	2144568
D 624 S-sp	2144566	2144566	2144566	2144563	2144563	2144563	2144568	2144568
D 621 U	2144566	2144566	2144566	2144563	2144563	2144563	2144568	2144568
D 640 O / D 641 O		2144566	2144566	2144563	2144567	2144567		
D 650 O / D 651 O		2144566	2144566	2144563	2144567	2144567		
D 657 O / D 658 O		2144566	2144566	2144563	2144567	2144567		
A 800 / A 802 / A 803 / A 804			2144569	2144569	2144569	2144568		

Mounting Set for Double Seat Valves DSV Complete / Aseptic Process Valves AS-DSV Secure



Metric	25	40	50	65	80	100	125	150
OD-Tube	1.0"	1.5"	2.0"	2.5"	3.0"	4.0"		6.0"
TYPE	ID-NO.	ID-NO.	ID-NO.	ID-NO.	ID-NO.	ID-NO.	ID-NO.	ID-NO.
D 601 / D 602 / D 603 / D 604	2160030	2160030	2160030	2160030	2160030	2160030		
D 611 / D 612 / D 613 / D 614	2146666	2146666	2146666	2146666	2146666	2146666		
D 621 / D 622 / D 623 / D 624	2146666	2146666	2146666	2146666	2146666	2146666	2146666	2146666
D 631 / D 632 / D 633 / D 634	2146666	2146666	2146666	2146666	2146666	2146666	2146666	2146666
D 624 S-sp	2146666	2146666	2146666	2146666	2146666	2146666	2146666	2146666
D 621 U	2146666	2146666	2146666	2146666	2146666	2146666	2146666	2146666
D 640 / D 641	2146666	2146666	2146666	2146666	2146666	2146666	2146666	
D 650 / D 651 / D 657 / D 658	2146666	2146666	2146666	2146666	2146666	2146666	2146666	
D 660 / D 661 / D 667 / D 668		2146666	2146666	2146666	2146666	2146666		
A 801 / A 802 / A 803 / A 804			2146666	2146666	2146666	2146666		
A 840 / A 841			2146666	2146666	2146666	2146666		
A 871 / A 872 / A 873 / A 874			2146666	2146666	2146666	2146666		



Mounting Set for Butterfly Valves, Leakage Butterfly Valves and Ball Valves



Butterfly Valves

Metric DN 10-100
OD-Tube DN 1.0"-4.0"
DN ISO 10-100

Metric DN 125-150
OD-Tube DN 5.0"-6.0"
DN ISO 125-150

TYPE	ID-NO.	ID-NO.
K 660 / K 680 / K 661 / K 681 / K 662 / K 682	2159940	o.r.
K 665 / K 685 / K 667 / K 687 / K 668 / K 688	2159940	o.r.

Leakage Butterfly Valves

Metric DN 25-80
OD-Tube DN 1.0"-3.0"
DN ISO 25-80

Metric DN 100-150
OD-Tube DN 4.0"-6.0"
DN ISO 100

TYPE	ID-NO.	ID-NO.
L 660 / L 680 / L 665 / L 685 / L 667 / L 687	2159940	o.r.

Ball Valves

Metric DN 10-50
OD-Tube DN 1.0"-2.0"

Metric DN 65-100
OD-Tube DN 2.5"-4.0"

TYPE	ID-NO.	ID-NO.
H 660 / H 680 / H 661 / H 681 / H 662 / H 682	2159940	o.r.
H 665 / H 685 / H 667 / H 687 / H 668 / H 688	2159940	o.r.

Mounting Set for SVP Select Overflow Valves EAF+

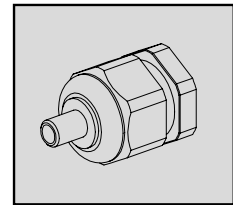


Metric DN 25-100
OD-Tube DN ISO 1.0"-4.0"

FOR ACTUATOR SIZES	ID-NO.	PRICE
1/2/3/4/6/7	2173577	
5/8/9	2173714	

Cable Gland

EXECUTION	SIZE	CABLE	ID-NO.
General	M16	Ø 2-6mm	2307259
General	M16	Ø 5-10mm	2307260



Spare Cable

EXECUTION	SIZE	PIN	CABLE	ID-NO.
24V DC	M12	12	8cm Ø ca. 6mm	2307261
24V DC	M16	8	80cm Ø ca. 6mm	2310382
AS-Interface	M12	4	8cm Ø ca. 5mm	2307262
AS-Interface	M12	4	80cm Ø ca. 5mm	2307263
DeviceNet	M12	5	80cm Ø ca. 7mm	2307264
DeviceNet	7/8"	5	80cm Ø ca. 7mm	2310383



Connecting Cable for External Access

E.g. upper stroke lift monitoring (S4) for Double Seat Valves Complete

EXECUTION	SIZE	PIN	CABLE	ID-NO.
General	M12	4	80cm Ø ca. 6mm	2161657



Elbow Screw Fitting

EXECUTION	SIZE	TUBE/SCHLAUCH	ID-NO.
General	G1/8"	6mm	2116513*
General	G1/8"	6,35mm (1/4")	2101513
General	G1/4"	8mm (5/16")	2344384*
General	G1/4"	6mm	2116845
General	G1/4"	6,35mm (1/4")	2125116



* Standard

Silencer

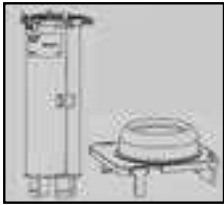
SIZE	ID-NO.
G1/4"	2307267





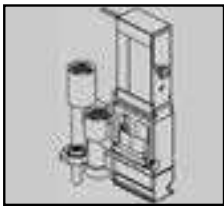
Elektronic Module

EXECUTION	ID-NO.
24V DC	2307255
AS-Interface	2307256
DeviceNet	2307257
110V AC	2307258



Position Measuring System Incl. LED Optical Fiber Plate

EXECUTION	ID-NO.
General	2307254



Valve Module Set

EXECUTION	ID-NO.
General	2307252



Cap

EXECUTION	ID-NO.
General	2307265



O-Ring for Cap

EXECUTION	ID-NO.
General	2307266



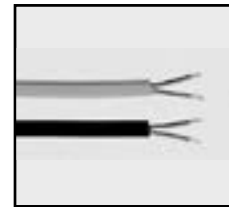
Locking Screw incl. Square Nut

EXECUTION	ID-NO.
General	2307268

AS-Interface Equipment

AS-Interface Flat Cable

APPLICATION/VERWENDUNG	COLOR/FARBE	MATERIAL	ID-NO.	PRICE
AS-Interface BUS	yellow/gelb	PVC	2009868	12,40 € / m
External Voltage Supply (PELV) Externe Spannungsversorgung (PELV)	schwarz/black	PVC	2309005	12,40 € / m



AS-Interface Flat Cable Clamp (Stainless Steel)

for 4pin plug M12x1 / für 4-poligen Stecker M12x1

VOLTAGE SUPPLY BY	ATEX	MATERIAL	ID-NO.	PRICE
External Voltage Supply (PELV)	---	1.4404 (AISI 316 L)	2309003	57,00 €
External Voltage Supply (PELV)	Zone 2/22	1.4404 (AISI 316 L)	2309002	78,00 €



AS-Interface Flat Cable Splitter (Stainless Steel)

ATEX	MATERIAL	ID-NO.	PRICE
---	1.4404 (AISI 316 L)	2145054	50,00 €
Zone 2/22	1.4404 (AISI 316 L)	2309004	61,00 €



AS-Interface Splitter Box (Connection Flat Cable)

AS-Interface and auxiliary voltage for 8 x M12-plug 4 pins

MATERIAL	IP-PROTECTION DEGREE	ID-NO.	PRICE
PBT/PC	IP68/69k	2321965	o.r./a.A.



AS-Interface Splitter Box (Connection 4-Pin M12-Plug)

AS-Interface and auxiliary voltage for 8xM12-plug 4 pins

MATERIAL	IP-PROTECTION DEGREE	ID-NO.	PRICE
PBT/PC	IP68/69k	2325003	o.r./a.A.



AS-Interface Sensor G11 (Connection Flat Cable)

4 inputs for 2- / 3-wire sensors or 2 inputs for 4-wire sensors (PNP) / DC

MATERIAL	IP-PROTECTION DEGREE	ID-NO.	PRICE
PBT/PC	IP68/69k	2325004	o.r./a.A.





AS-Interface Sensor G11 (Connection 4-Pin M12-Plug)

4 inputs for 2- / 3-wire sensors or 2 inputs for 4-wire sensors (PNP) / DC

MATERIAL	IP-PROTECTION DEGREE	ID-NO.	PRICE
PBT/PC	IP68/69k	2325005	o.r./a.A.



AS-Interface Splitter Box G10, Supply Via Flat Cable

AS-Interface for M12 with stainless-steel screwcap

MATERIAL	IP-PROTECTION DEGREE	ID-NO.	PRICE
PBT/PC	IP68/69k	2325008	o.r./a.A.



AS-Interface Splitter Box G10, Supply Via Flat Cable

AS-Interface and auxiliary voltage for M12 with stainless steel screwcap

MATERIAL	IP-PROTECTION DEGREE	ID-NO.	PRICE
PBT/PC	IP68/69k	2321914	o.r./a.A.



AS-Interface Splitter Box G10, Supply Via Flat Cable

AS-Interface and auxiliary voltage for 2 x M12

MATERIAL	IP-PROTECTION DEGREE	ID-NO.	PRICE
PBT/PC	IP68/69k	2325010	o.r./a.A.

4.1

AS-Interface Splitter Box G10, Supply Via Flat Cable

AS-Interface and auxiliary voltage for one double clamp each

MATERIAL	IP-PROTECTION DEGREE	ID-NO.	PRICE
PBT/PC	IP20	2325011	o.r./a.A.



AS-Interface Splitter Box G10, Supply Via Flat Cable

AS-Interface for cable outlet 1m with M12, Connection with stainless steel screwcap

MATERIAL	IP-PROTECTION DEGREE	ID-NO.	PRICE
PBT/PC	IP68/69k	2325012	o.r./a.A.



AS-Interface Splitter Box G10, Supply Via Flat Cable

AS-Interface and auxiliary voltage for cable outlet 1m with M12, Connection with stainless steel screwcap

MATERIAL	IP-PROTECTION DEGREE	ID-NO.	PRICE
PBT/PC	IP68/69k	2325013	o.r./a.A.



AS-Interface Sensor G10 Via Direct Cable Connection

2 Inputs and 1 Output for 2- / 3- wire sensors or 1 input for 4-wire sensor (PNP) / DC

MATERIAL	IP-PROTECTION DEGREE	ID-NO.	PRICE
PBT/PC	IP68/69k	2325006	o.r./a.A.



AS-Interface End Cap For Flat Cable

Screw connection with flat cable-profile gasket

MATERIAL	IP-PROTECTION DEGREE	ID-NO.	PRICE
ULTRAMID	IP67	2307643	o.r./a.A.



Plug M12x1

for Pin-Terminal-Socket-Plug M12x1

MATERIAL	ID-NO.	PRICE
PA	2309001	o.r./a.A.



AS-Interface Equipment



Connection Cable M12x1

4-pin, M12x1 plug - M12x1 socket-plug

CABLE LENGTH/KABELLÄNGE	MATERIAL	ID-NO.	PRICE
1 m	PVC / 1.4404 (AISI 316 L)	2915016	o.r./a.A.
5 m	PVC / 1.4404 (AISI 316 L)	2915017	o.r./a.A.



T-Piece M12x1

4-pin, M12x1 plug - M12x1 socket-plug

MATERIAL	ID-NO.	PRICE
TPU / 1.4404 (AISI 316 L)	2156607	o.r./a.A.



AS-Interface Addressing Unit

for 4pin plug M12x1

ID-NO.	PRICE
2025902	o.r./a.A.



**AS-Interface Handheld With Accessories
(Programming Cable, Wall Plug Transformer) In A Case**

MATERIAL	IP-PROTECTION DEGREE	ID-NO.	PRICE
PBT/PC	IP20	2325014	o.r./a.A.

Accessories

Manual Control

ID-NO.	PRICE
2307270	o.r./a.A.



Service Adapter Set

CONTROL/STEUERUNG	CONNECTION/VERBINDUNG	ID-NO.	PRICE
PC	USB	2307272	o.r./a.A.



4.1



SÜDMO

PROXIMITY SWITCHES, PLUGS AND CABLES

CONTENTS

4.2.2 PROXIMITY SWITCHES

4.2.3 PLUGS AND CABLES

4.2.4 ACCESSORIES FOR PROXIMITY SWITCHES

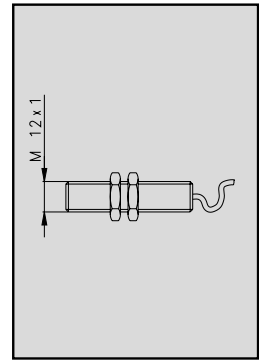
4.2

PROXIMITY SWITCHES

External Proximity Switch

E 659 R round type with cable, stainless steel execution, DC-PNP

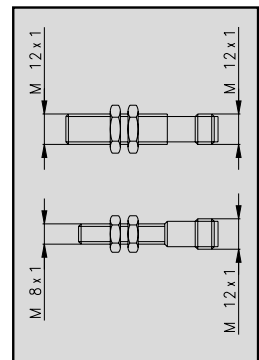
SIZE	CABLE LENGTH	ID-NR.
M 12x1	6 m	2154095
M 12x1	10 m	2154096



External Proximity Switch

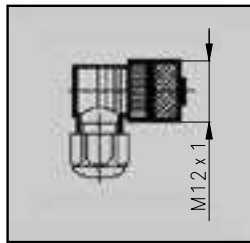
E 659 U round type with Universal-plug M 12x1, stainless steel execution, DC-PNP

SIZE	ID-NR.
M 8x1	2028935
M 12x1	2123057



4.2

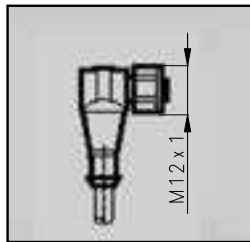




Connector
Z 659 Universal-plug M 12x1, ready for wiring

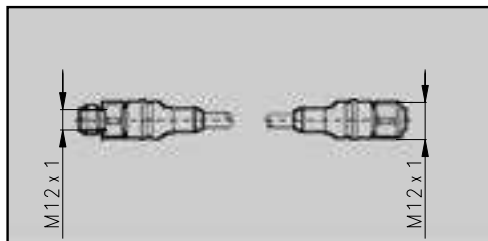
ID-NR.
0425959

* Scale on request



Connector
Z 659 K Universal-plug M 12x1, with cable

CABLE LENGTH	ID-NR.
5 m	2028591
10 m	2028592
25 m	2028593



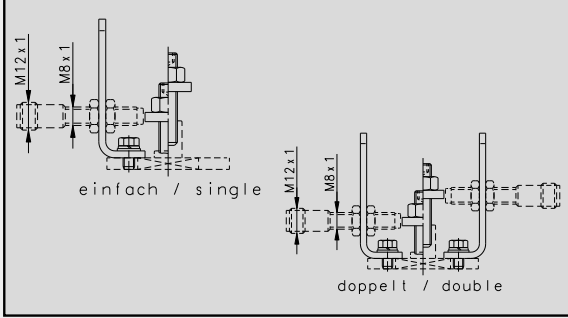
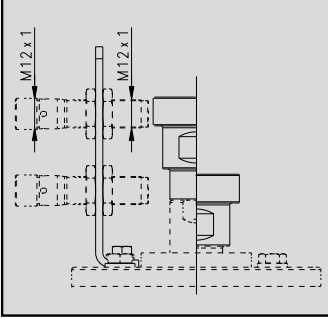
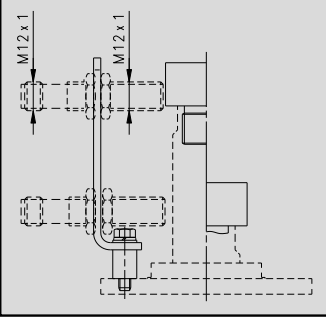
Connection Cable
 Universal-plug M 12x1

CABLE LENGTH	ID-NR.
1 m	2915016
5 m	2915017

PROXIMITY SWITCHES, ACCESSORIES

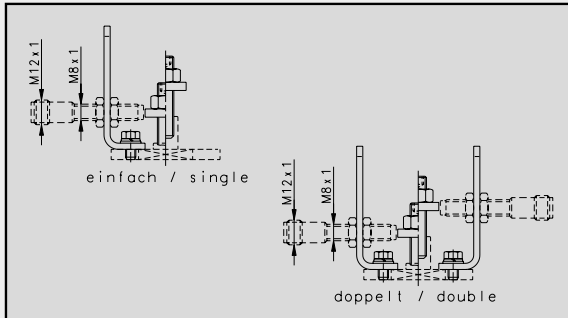
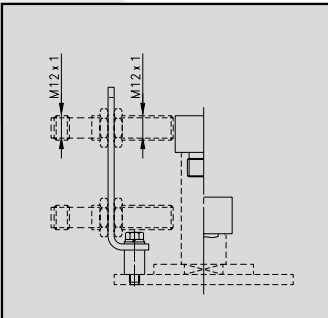
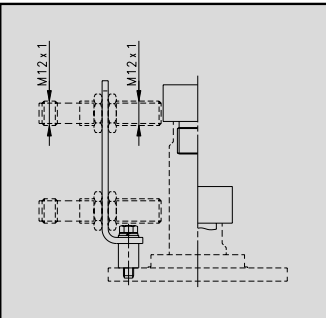
Mounting Set for Single Seat Valves SVP Model 2000 / SVP Select

standard execution

					
Metric DN 10-20 OD-Tube DN 0.5"-0.75" DN ISO 8-15		Metric DN 25-100 OD-Tube DN 1.0"-4.0" DN ISO 25-80		Metric DN 125-150 OD-Tube DN 6.0" DN ISO 100-125	
FEEDBACK	ID-NO.	ID-NO.	ID-NO.	ID-NO.	ID-NO.
single	2127682	2132531	2111875	2111875	
double	2124682	2132531	2111875	2111875	

Mounting Set for Single Seat Valves SVP Model 2000 / SVP Select

for adapted booster

					
Metric DN 10-20 OD-Tube DN 0.5"-0.75" DN ISO 8-15		Metric DN 25-100 OD-Tube DN 1.0"-4.0" DN ISO 25-80		Metric DN 125-150 OD-Tube DN 6.0" DN ISO 100-125	
FEEDBACK	ID-NO.	ID-NO.	ID-NO.	ID-NO.	ID-NO.
single	2127682	o.r.	o.r.	o.r.	
double	2124682	o.r.	o.r.	o.r.	

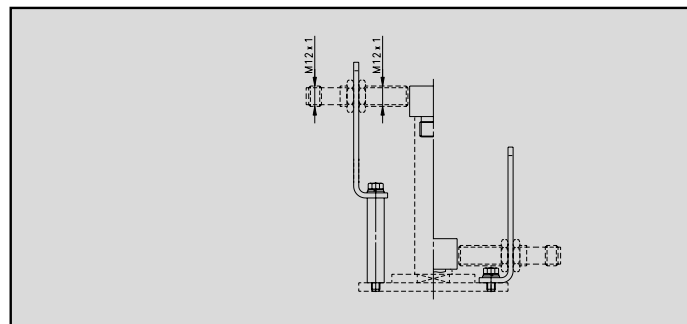


Mounting Set for Single Seat Valves SVP Model 2000 / SVP Select for adapted 3-position actuator

Metric DN 10-20 OD-Tube DN 0.5"-0.75" DN ISO 8-15		Metric DN 25-100 OD-Tube DN 1.0"-4.0" DN ISO 25-80		Metric DN 125-150 OD-Tube DN 6.0" DN ISO 100-125	
FEEDBACK	ID-NO.	ID-NO.	ID-NO.	ID-NO.	ID-NO.
single	2140296	2125984	2125984	2301879	2301879
double	2140275	2125984	2125984	2301879	2301879

4.2

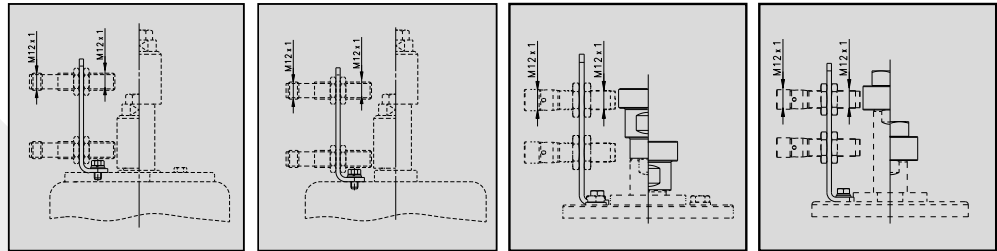
Mounting Set for Single Seat Valves SVP Select Long Stroke execution



Metric DN 25-100
 OD-Tube DN 1.0"-4.0"
 DN ISO 25-80

FEEDBACK	ID-NO.
single zu / closed	o.r.
single auf / open	o.r.
double	o.r.

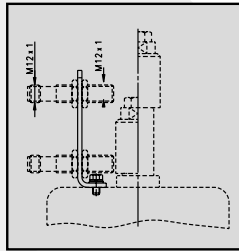
Mounting Set for Double Seat Valves



DSV M1994 D 601-D 604	DSV M1994 D 611-D 614 D 621-D 624 D 631-D 634 D 624 S-sp D 621 U D 640 O-D 641 O D 650 O-D 658 O D 660-D 661	DSV Complete D 601-D 604	DSV Complete D 611-D 614 D 621-D 624 D 631-D 634 D 640-D 641 D 650-D 658 D 660-D 668 D-621 S-sp-D-624 S-sp D 621 U
---------------------------------	---	------------------------------------	---

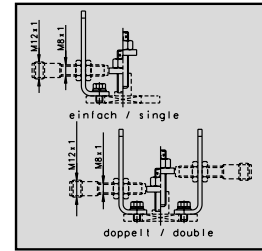
SIZE	ID-NO.	ID-NO.	ID-NO.	ID-NO.
DN 25-100/0.5"-4.0"/ISO 25-80	2142883	2901935	2132535	2132531
DN 125-150/6.0"	2142883	2901935		2314515

Mounting Set for Aseptic Process Valves M2010



Main Valve
A 801-A 804

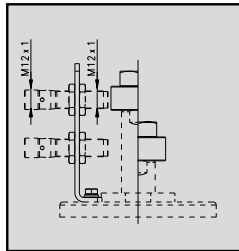
FEEDBACK	ID-NO.
single	2901935
double	2901935



Shut-off Valve for CIP/SIP-safety space
S 370 Select

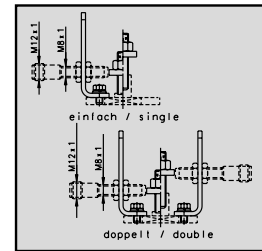
ID-NO.
2127682
2124682

Mounting Set for Aseptic Process Valves AS-DSV Secure



Main Valve
A 801-A 804

FEEDBACK	ID-NO.
single	2132531
double	2132531



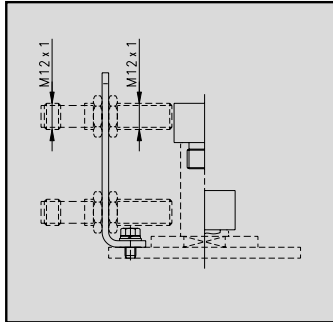
Shut-off Valve for CIP/SIP-safety space
S 370 Select

ID-NO.
2127682
2124682

4.2

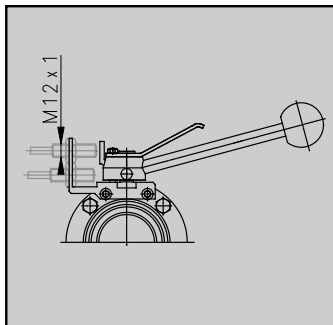


Mounting Set for SD-Economic



Metric DN 40-100
OD-Tube DN 1.5"-4.0"

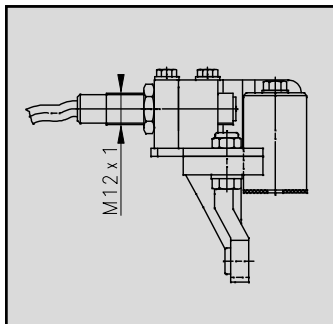
FEEDBACK	ID-NO.
double	2132531



Mounting Set for Manual Butterfly Valves

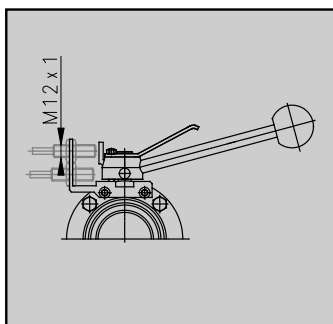
inclusive handle

FEEDBACK	SIZE	ID-NO.
double	DN 15-40/1"-1.5"/ISO 25-40	2013596
double	DN 50-100/2"-4"/ISO 50-100	2019242
double	DN 125-150/5"-6"	2007401



Mounting Set for Manual Leakage Butterfly Valves

FEEDBACK	SIZE	ID-NO.
double	DN 25-40/1"-1.5"/ISO25-40	2300882
double	DN 50-100/2"-4"/ISO 50-100	2008961
double	DN 125-150/5"-6"	2341585



Mounting Set for Manual Ball Valves

inclusive handle

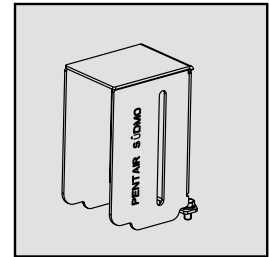
FEEDBACK	SIZE	ID-NO.
double	10	2142821
double	15	2142820
double	20	2142819
double	25-32 / 1.0"	2142620
double	40-50 / 1.5"-2.0"	2019242
double	65-100 / 2.5"-4.0"	2142818

PROXIMITY SWITCHES, ACCESSORIES

Finger Guard for SVP Select and DSV Complete Valves

Material: 1.4301 (AISI 304)

SIZES	ID-NO.
Generell / General	2146670



Fitting to Single Seat Valves SVP Model 2000 / SVP Select

	Hygienic Executions	Aseptic Executions
SIZES	TYPE/TYP	TYPE/TYP
DN 25-150 / 1.0"-6.0"	S 370 - S 397	A 370 - A 397

Incompatible for following executions or adaptions!

- Size DN10-20
- Long Stroke Execution
- Booster
- 3-Position Actuator

Fitting to Double Seal Valves SD Economic

SIZES	TYPE/TYP
DN 40-100 / 1.5"-4.0"	SD 370 - SD 372

Fitting to Double Seat Valves DSV Model 1994 / DSV Complete

	DSV Model 1994	DSV Complete
SIZES	TYPE/TYP	TYPE/TYP
DN 25-150 / 1.0"-6.0"	D 601 - D 604	D 601 - D 604
DN 25-150 / 1.0"-6.0"	D 611 - D 614	D 611 - D 614
DN 25-150 / 1.0"-6.0"	D 621 - D 624	D 621 - D 624
DN 25-150 / 1.0"-6.0"	D 631 - D 634	D 631 - D 634
DN 25-150 / 1.0"-6.0"	D 640 O - D 641 O	D 640 - D 641
DN 25-150 / 1.0"-6.0"	D 650 O - D 658 O	D 650 - D 658
DN 25-150 / 1.0"-6.0"	D 660 - D 661	D 660 - D 668
DN 25-150 / 1.0"-6.0"	D 624 S-sp	D 621 S-sp - D 624 S-sp
DN 25-150 / 1.0"-6.0"	D 621 U	D 621 U

Finger Guard for other valve series on request



SÜDMO

CONTROL VALVES

CONTENTS

5.0 GENERAL INFORMATION SÜDMO CONTROL VALVES

5.1 CONTROL VALVES SELECT

CONTROL VALVES

5

OVERVIEW

HELP

CONTACT

LEGAL NOTICE



SÜDMO

GENERAL INFORMATION SÜDMO CONTROL VALVES

CONTENTS

5.0.4 GENERAL COMMERCIAL INFORMATION

5.0.5 GENERAL TECHNICAL SPECIFICATIONS

5.0.6 SEAL GUIDE, TEMPERATURES AND CLEANING INFORMATION

5.0.10 PORT CONFIGURATIONS

5.0.11 CVS-VALUES

5.0.12 ORDER FORM

5.0

SÜDMO CONTROL VALVES

CONTROL VALVES SELECT

PENTAIR SÜDMO CONTROL VALVES - FOR PROCESSES TO BE REGULATED ACCURATELY AND QUICKLY

Pentair Südmö has not only designed a manually operated Control Valve, but also a membrane operated Control Valve for extremely exact processes that have to be controlled quickly, such as inline dosing of concentrates. We also offer Pentair Südmö Control Valves with SVP actuator and a digital control top as an economical alternative to membrane actuator.

A general advantage of the Pentair Südmö Control Valve design is the fact that SVP units with a digital control top and control membrane with an electropneumatic positioner are interchangeable (even subsequently).

Further the two variants of Mixing and Diverting Control Valves ideally complete the programme. The concept brings together two single control valves to one three way valve. Depending on the requirement and fitted with the appropriate inserts either a mixing of two volume flows or a diverting of one media in two pipelines can be realized.



5.0



SÜDMO CONTROL VALVES

CONTROL VALVES SELECT



TECHNICAL SPECIFICATION	
Materials	Product wetted parts 1.4404 [AISI 316 L], 1.4307 [AISI 304 L]
	Optional 1.4435 [AISI 316 L] Other materials on request
	Parts not product wetted 1.4301 [AISI 304], 1.4307 [AISI 304 L]
Sealing Elements	Sealing materials (FDA) EPDM Other sealing materials on request
Temperatures	Continuous operating temperature EPDM 130° C/266° F* P ³ diaphragm/PEEK 150°C/302°F*
	Sterilization temperature EPDM 150° C/302° F* (approx. 20 min.) P ³ diaphragm/PEEK 150°C/302°F*
Pressures	Operating pressure ≤ DN 80/3": 10 bar (145 psi) DN 100/4": 6 bar (87 psi) 10 bar (145 psi) optional DN 125/150: 10 bar (145 psi)
	Control pressure Diaphragm actuator: Min. 5 bar (72,5psi) - max. 7 bar (101,5 psi) SVP Select Actuator: Min. 6 bar (87 psi) - max. 8 bar (116 psi)
Surfaces	Product wetted surfaces Ra ≤ 0,8 µm
	Surfaces not product wetted Bright-turned, Ra 1,6 µm
	Optional Surfaces product wetted e-polished, higher quality surfaces on request
Connections	Standard Welding ends for pipes acc. to DIN 11850 series 2 (DIN 11866 series A), OD-tube (ASTM A270, DIN 11866 series C, ASME BPE-2009) and DIN EN ISO 1127 (DIN 11866 Series B)
	Optional Other tube diameters on request

* Depending on operating parameters

SÜDMO CONTROL VALVES

CONTROL VALVES SELECT

GENERAL CONSISTENCY OF SEALING MATERIALS

GENERAL CONSISTENCY	EPDM	HNBR
	<ul style="list-style-type: none"> + very good hot water and steam resistancy + very good low temperature performance + good ozone resistancy (light resistance) + very high elasticity + very good durability (long tifetime) 	<ul style="list-style-type: none"> + suitable for animal fat contents (e.g. milk) + suitable for vegetable fat contents (e.g. olive oil) + long lifetime + aliphatic, aromatic and chlorinated hydrocarbons (e.g. mineral oil, crude oil)
	<ul style="list-style-type: none"> - vegetable and animal oils - aliphatic, aromatic and chlorinated hydrocarbons (e.g. mineral oil, crude oil) - citron juices and flavors 	<ul style="list-style-type: none"> - overheating steam - susceptible to certain detergents and disinfectants (nitric acid, formic acid or peracetic acid) - strongly swelling in polar solvents (acetone, methylcetone, ethylacetate, diethylether)
<p>TYPICAL APPLICATION AREAS</p>	<ul style="list-style-type: none"> • First choice for a multitude of applications 	<ul style="list-style-type: none"> • Dairy • Wort

5.0



SÜDMO CONTROL VALVES

CONTROL VALVES SELECT

P³-DIAPHRAGM

- + extremely high chemical resistancy
- + very good temperature resistancy
- + good form stability
- + high mechanical capacitance

- fluorine

- Aseptic process applications

5.0

OVERVIEW

HELP

CONTACT

LEGAL NOTICE

SÜDMO CONTROL VALVES

CONTROL VALVES SELECT

PRODUCTION TEMPERATURES AND CLEANING SPECIFICATIONS

PRODUCTION PARAMETERS	EPDM	HNBR
Product		
Max. operation temperature	95°C / 203°F	95°C / 203°F
Min. operation temperature	1°C / 33.8°F	1°C / 33.8°F
Steam		
Temperature max. (continously)	130°C (2.7 bar) / 266°F (39.1 psi)	121°C (1.9 bar) / 250°F (27.5 psi)
Temperature max. (short-time 15-20 min)	150°C (4.7 bar) / 302°F (68.1 psi)	140°C (3.6 bar) / 284°F (52.2 psi)
Caustic (caustic soda)*		
Diluted cleaning solution	< 5%	< 3%
Temperature min.	1°C / 33.8°F	1°C / 33.8°F
Temperature max.	80°C / 176°F	80°C / 176°F
Acid (Nitric/Phosphoric/Peracetic acid)*		
Diluted cleaning solution	< 3%	< 1,5%
Temperature min.	1°C / 33.8°F	1°C / 33.8°F
Temperature max.	40°C / 104°F	40°C / 104°F
Disinfection*		
Diluted disinfectant (based on peracetic acid)	< 0,7%	Not advisable for HNBR
Temperature min.	1°C / 33.8°F	Not advisable for HNBR
Temperature max.	30°C / 86°F	Not advisable for HNBR



SÜDMO CONTROL VALVES

CONTROL VALVES SELECT

P³-DIAPHRAGM

150°C/302°F
1°C / 33.8°F

150°C (6.3 bar) / 302°F (91.3 psi)
150°C (6.3 bar) / 302°F (91.3 psi)

Resistant to business specific
detergent and cleaning concentrations!

Resistant to business specific
detergent and cleaning concentrations!

Resistant to business specific
detergent and cleaning concentrations!

PLEASE NOTE

The resistance figures shown here are based on experiences and are given as a guideline, in coordination with our seal suppliers. Due to variable factors, such as temperatures, mechanical forces, media concentrations, and plant-specific operating parameters, the actual seal service life may vary.

The information provided is for general orientation only and Pentair SüdmO does not guarantee. Please contact us for application specific cases or complex operating conditions.

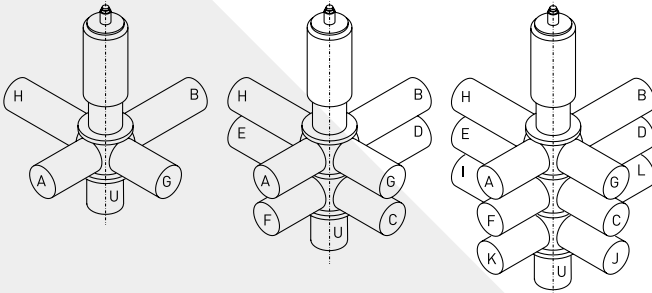
* Keep contact times as short as possible.

After the cleaning cycle, all product-wetted and product-related surfaces (e.g. leakage chamber in the double seat valve) must be rinsed with pure water. Long contact times with disinfection solutions in particular have to be avoided.

SÜDMO CONTROL VALVES

CONTROL VALVES SELECT

POSSIBLE PORT CONFIGURATIONS



For additional ports and/or differing standard port configuration, please specify ports with letters.

5.0



SÜDMO CONTROL VALVES

CONTROL VALVES SELECT


CVs - Values for Control Valves Select

CVs-VALUE			DN 25 DN 1.0" ISO 25	DN 40 DN 1.5"	DN 50 DN 2.0" ISO 40	DN 65 DN 2.5" ISO 50	DN 80 DN 3.0" ISO 65	DN 100 DN 4.0" ISO 80	DN 125	DN 150 DN 6.0"
CVs										
1,2	eq% *									
	lin **									
1,9	eq% *									
	lin **									
2,9	eq% *									
	lin **									
4,7	eq% *									
	lin **									
8,1	eq% *									
	lin **									
12,5	eq% *		max. 9							
	lin **									
21	eq% *									
	lin **									
30	eq% *			max. 20						
	lin **									
50	eq% *				max. 28					
	lin **									
79	eq% *					max. 50				
	lin **									
116	eq% *						max. 85			
	lin **									
140	eq% *									
	lin **									
300	eq% *									
	lin **									
440	eq% *									
	lin **									

* equal percentage

** linear

 = standard range of CVs-values

 = Standard range of CVs-values with Distributing and Mixing Valves

 = Only available in pipes acc. to DIN 11850 series 2

SÜDMO CONTROL VALVES

ORDER FORM

Designing of Control Valves requires exact specifications:

Customer:

customer-No.:


phone:

Fax:

Email:


project:

Please mark your desired specifications and configurations with a cross




Hygenic
 Aseptic

S 275 / A 275



Hygenic
 Aseptic
 PID-Controller

S 375 / A 375

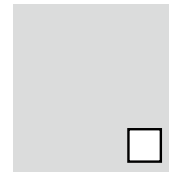
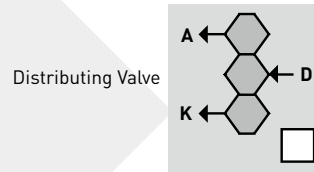
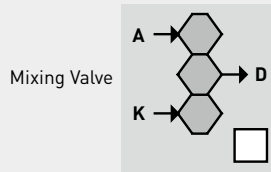
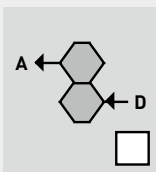
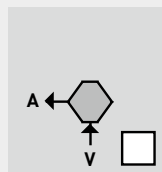


Hygenic
 Aseptic

S 376 / A 376

1. Housing

Space for your drawing



2. Connections

	welded	mating	thread	small-flange	small-fl. grooved	clamp	others	specify connection standard
A	<input type="checkbox"/>	<input type="checkbox"/>	<input type="checkbox"/>	<input type="checkbox"/>	<input type="checkbox"/>	<input type="checkbox"/>	<input type="checkbox"/>	
B	<input type="checkbox"/>	<input type="checkbox"/>	<input type="checkbox"/>	<input type="checkbox"/>	<input type="checkbox"/>	<input type="checkbox"/>	<input type="checkbox"/>	
F	<input type="checkbox"/>	<input type="checkbox"/>	<input type="checkbox"/>	<input type="checkbox"/>	<input type="checkbox"/>	<input type="checkbox"/>	<input type="checkbox"/>	
D	<input type="checkbox"/>	<input type="checkbox"/>	<input type="checkbox"/>	<input type="checkbox"/>	<input type="checkbox"/>	<input type="checkbox"/>	<input type="checkbox"/>	
U	<input type="checkbox"/>	<input type="checkbox"/>	<input type="checkbox"/>	<input type="checkbox"/>	<input type="checkbox"/>	<input type="checkbox"/>	<input type="checkbox"/>	
V	<input type="checkbox"/>	<input type="checkbox"/>	<input type="checkbox"/>	<input type="checkbox"/>	<input type="checkbox"/>	<input type="checkbox"/>	<input type="checkbox"/>	

3. Sizes

	DN 25/1"/ISO 25	DN 40 / 1.5"	DN 50/2"/ISO 40	DN 65/2.5"/ISO 50	DN 80/3"/ISO 65	DN 100/4"/ISO 80	DN 125	DN 150/6"
A	<input type="checkbox"/>	<input type="checkbox"/>	<input type="checkbox"/>	<input type="checkbox"/>	<input type="checkbox"/>	<input type="checkbox"/>	<input type="checkbox"/>	<input type="checkbox"/>
B	<input type="checkbox"/>	<input type="checkbox"/>	<input type="checkbox"/>	<input type="checkbox"/>	<input type="checkbox"/>	<input type="checkbox"/>	<input type="checkbox"/>	<input type="checkbox"/>
F	<input type="checkbox"/>	<input type="checkbox"/>	<input type="checkbox"/>	<input type="checkbox"/>	<input type="checkbox"/>	<input type="checkbox"/>	<input type="checkbox"/>	<input type="checkbox"/>
D	<input type="checkbox"/>	<input type="checkbox"/>	<input type="checkbox"/>	<input type="checkbox"/>	<input type="checkbox"/>	<input type="checkbox"/>	<input type="checkbox"/>	<input type="checkbox"/>
U	<input type="checkbox"/>	<input type="checkbox"/>	<input type="checkbox"/>	<input type="checkbox"/>	<input type="checkbox"/>	<input type="checkbox"/>	<input type="checkbox"/>	<input type="checkbox"/>
V	<input type="checkbox"/>	<input type="checkbox"/>	<input type="checkbox"/>	<input type="checkbox"/>	<input type="checkbox"/>	<input type="checkbox"/>	<input type="checkbox"/>	<input type="checkbox"/>

4. Pressure Level Operating Pressure

PN 6 PN 10 others



SÜDMO CONTROL VALVES

ORDER FORM

5. Material

1.4404 (AISI 316 L)

1.4435 (AISI 316 L)

6. Safety Position

closed (air to open-spring to close)

open (air to open-spring to close)

7. Sealing

metallically sealed

o-ring sealed

8. Sealing Material

EPDM FKM

HNBR VMQ

Diaphragm of the aseptic variants generally P³

9. CVs-Value (available CV-values see page 5.1.16)

KVs 1,0 1,6 2,5 4,0 7,0 11 18 26 43 68 100 120 260 380
CVs 1,2 1,9 2,9 4,7 8,1 12,8 21 30 50 79 116 140 300 440

Characteristic: equal percentage linear

10. Definition of CV-Value (if value 9. is not available, otherwise no specification needed)

a.) product(s) (exact specification e.g. viscosity, density etc.)	
--	--

b.) others (e.g. cleaning, sterilisation)	
--	--

temperature(s)	from	to	°C
pre pressure p1	from	to	bar
post pressure p2	from	to	bar
pressure drop p	from	to	bar

flow rate Q

min. flow rate Q	[m ³ /h]
normal flow rate Q	[m ³ /h]
max. flow rate Q	[m ³ /h]

11. other technical specification:

Bus, Atex, etc.

SÜDMO CONTROL VALVES

CONTROL VALVES SELECT

5.0



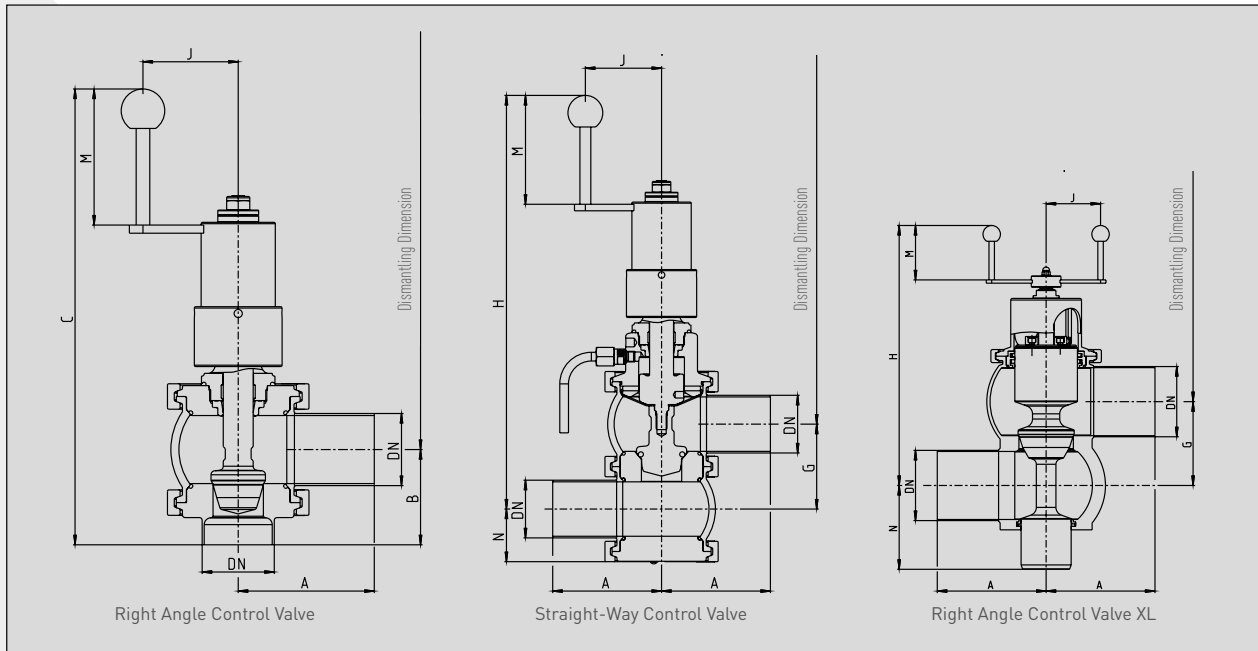
SÜDMO

CONTROL VALVES SELECT

CONTENTS

- 5.1.2 CONTROL VALVES SELECT WITH MANUAL ACTUATOR
- 5.1.4 CONTROL VALVES SELECT WITH PNEUMATIC ACTUATOR
- 5.1.6 CONTROL VALVES SELECT WITH DIAPHRAGM ACTUATOR
- 5.1.8 CONTROL VALVES SELECT ACCESSORIES AND SPARE PARTS

CONTROL VALVE SELECT WITH MANUAL ACTUATOR



Select ... 275 ...

METRIC

DN	Tube	A	B	C*	C ₂ *	Stroke ₁	Stroke ₂	F ₁ *	F ₂ *	G	H ₁ *	H ₂ *	J	M	N	kg
25	∅29 x 1.5	80	60	335	372	20	12	348	390	58	333	370	70	100	39	
40	∅41 x 1.5	80	60	339	376	20	12	358	400	66	345	382	70	100	43	
50	∅53 x 1.5	100	70	355	392	20	16	373	410	78	363	400	70	100	49	
65	∅70 x 2.0	100	80	398	435	30	20	423	460	94	412	449	100	100	57	
80	∅85 x 2.0	120	90	426	468	30	24	453	495	109	445	487	100	100	64	
100	∅104 x 2.0	150	100	445	492	30	30	473	520	128	473	520	100	100	74	
125	∅129 x 2.0	200	-	-	-	60	-	-	-	154	695	-	100	100	135	
150	∅154 x 2.0	200	-	-	-	60	-	-	-	180	715	-	100	100	165	

OD-TUBE

DN	Tube	A	B	C*	C ₂ *	Stroke ₁	Stroke ₂	F ₁ *	F ₂ *	G	H ₁ *	H ₂ *	J	M	N	kg
1.0"	∅25.40 x 1.65	80	50	321	358	20	12	344	305	50.1	321	358	70	100	34	
1.5"	∅38.10 x 1.65	80	55	332	369	20	12	355	395	62.8	340	377	70	100	40.4	
2.0"	∅50.80 x 1.65	100	65	349	386	20	16	367	404	75.5	359	396	70	100	46.8	
2.5"	∅63.50 x 1.65	100	70	385	422	30	20	413	450	88.2	404	441	100	100	53.1	
3.0"	∅76.20 x 1.65	120	80	412	454	30	24	444	486	100.8	433	475	100	100	59.4	
4.0"	∅101.60 x 2.11	150	90	434	481	30	30	500	547	125.4	469	516	100	100	71.7	
6.0"	∅152.40 x 2.77	200	-	-	-	60	-	-	-	180	715	-	100	100	165	

ISO

DN	Tube	A	B	C ₁ *	C ₂ *	Stroke ₁	Stroke ₂	F ₁ *	F ₂ *	G	H ₁ *	H ₂ *	J	M	N	kg
25	∅33.7 x 2.0	80	60	335	372	20	12	348	390	57.7	333	370	70	100	37.9	
40	∅48.3 x 2.0	100	65	355	392	20	16	373	410	72.3	363	400	70	100	45.2	
50	∅60.3 x 2.0	100	70	398	435	30	20	423	460	84.3	412	449	100	100	51.2	
65	∅76.1 x 2.0	120	80	426	468	30	24	453	495	100.1	445	487	100	100	59.1	
80	∅88.9 x 2.3	150	90	445	492	30	30	473	520	112.3	473	520	100	100	65.2	

* C₂ / F₂ / H₂ / Stroke₂: Aseptische Ausführung

* C₁ / F₁ / H₁ / Stroke₁ / Hub₁: Hygienische Ausführung

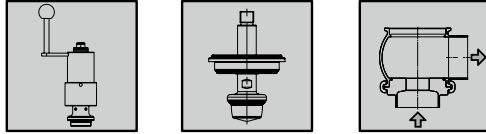


CONTROL VALVE SELECT WITH MANUAL ACTUATOR

Hyg. Control Valve metallically sealed or with O-Ring (EPDM)

Select S 275 - W manual

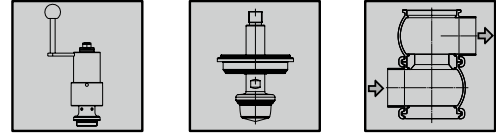
Right Angle Valve housing with changeable seat, profile gasket



SIZES	ID-NO.
DN 25 / 1.0" / ISO 25	o.r.
DN 40 / 1.5"	o.r.
DN 50 / 2.0" / ISO 40	o.r.
DN 65 / 2.5" / ISO 50	o.r.
DN 80 / 3.0" / ISO 65	o.r.
DN 100 / 4.0" / ISO 80	o.r.

Select S 275 - G manual

split valve housing with changeable seat, profile gasket

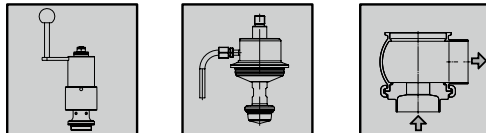


SIZES	ID-NO.
DN 25 / 1.0" / ISO 25	o.r.
DN 40 / 1.5"	o.r.
DN 50 / 2.0" / ISO 40	o.r.
DN 65 / 2.5" / ISO 50	o.r.
DN 80 / 3.0" / ISO 65	o.r.
DN 100 / 4.0" / ISO 80	o.r.
DN 125	o.r.
DN 150 / 6.0"	o.r.

Asept. Control Valve with Diaphragm (P³) / metallically sealed or with O-Ring (EPDM)

Select A 275 D - W manual

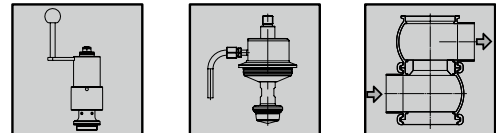
Right Angle Valve housing with changeable seat, diaphragm



SIZES	ID-NO.
DN 25 / 1.0" / ISO 25	o.r.
DN 40 / 1.5"	o.r.
DN 50 / 2.0" / ISO 40	o.r.
DN 65 / 2.5" / ISO 50	o.r.
DN 80 / 3.0" / ISO 65	o.r.
DN 100 / 4.0" / ISO 80	o.r.

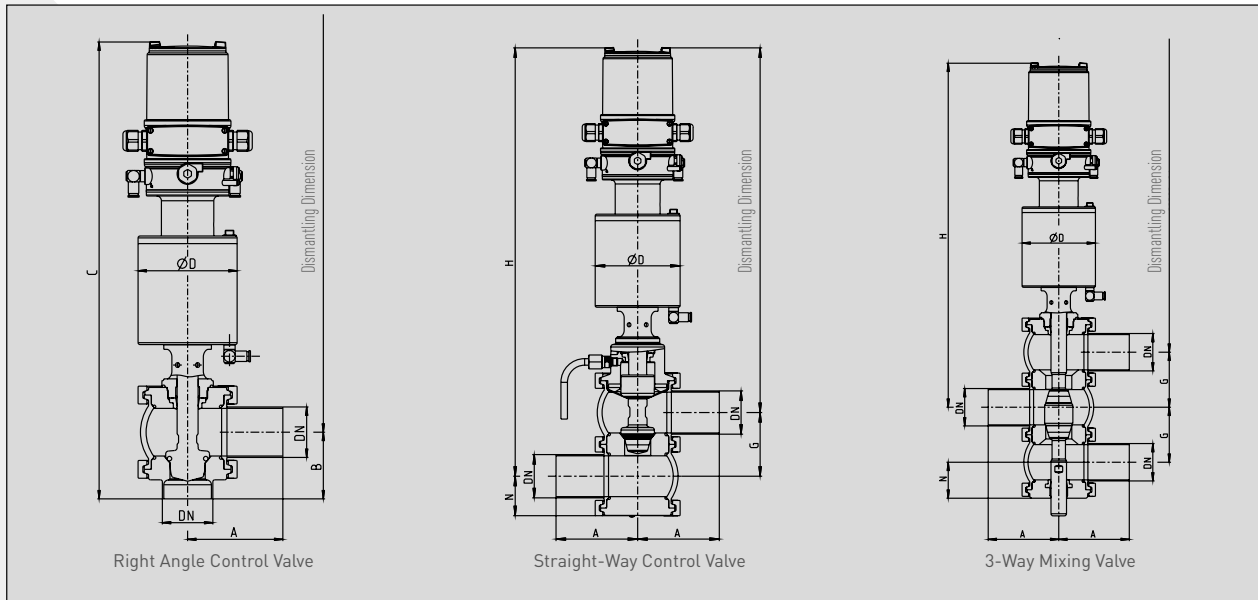
Select A 275 D - G manual

split valve housing with changeable seat, diaphragm



SIZES	ID-NO.
DN 25 / 1.0" / ISO 25	o.r.
DN 40 / 1.5"	o.r.
DN 50 / 2.0" / ISO 40	o.r.
DN 65 / 2.5" / ISO 50	o.r.
DN 80 / 3.0" / ISO 65	o.r.
DN 100 / 4.0" / ISO 80	o.r.

CONTROL VALVE SELECT WITH PNEUMATIC ACTUATOR



Select ... 375 ...

METRIC

DN	Tube	A	B	C ₁ *	C ₂ *	ØD	Stroke ₁	Stroke ₂	F ₁ *	F ₂ *	G	H ₁ *	H ₂ *	N	kg
25	Ø29 x 1.5	80	60	431	468	104	20	12	455	492	58	429	466	39	
40	Ø41 x 1.5	80	60	435	472	104	20	12	470	507	66	441	478	43	
50	Ø53 x 1.5	100	70	451	488	104	20	16	485	522	78	459	496	49	
65	Ø70 x 2.0	100	80	550	587	129	30	20	565	602	94	564	601	57	
80	Ø85 x 2.0	120	90	589	631	154	30	24	645	687	109	608	650	64	
100	Ø104 x 2.0	150	100	608	655	154	30	30	675	722	128	636	683	74	
125	Ø129 x 2.0	200	-	-	-	154	45	-	-	-	154	742	-	135	
150	Ø154 x 2.0	200	-	-	-	169	45	-	-	-	180	782	-	165	

OD-TUBE

DN	Tube	A	B	C ₁ *	C ₂ *	ØD	Stroke ₁	Stroke ₂	F ₁ *	F ₂ *	G	H ₁ *	H ₂ *	N	kg
1.0"	Ø25.40 x 1.65	80	50	419	456	104	20	12	445	482	50.1	419	456	34	
1.5"	Ø38.10 x 1.65	80	55	428	465	104	20	12	460	497	62.8	436	473	40.4	
2.0"	Ø50.80 x 1.65	100	65	444	481	104	20	16	480	517	75.5	455	492	46.8	
2.5"	Ø63.50 x 1.65	100	70	502	539	129	30	20	555	592	88.2	520	557	53.1	
3.0"	Ø76.20 x 1.65	120	80	575	617	154	30	24	635	677	100.8	596	638	59.4	
4.0"	Ø101.60 x 2.11	150	90	597	644	154	30	30	670	717	125.4	633	680	71.7	
6.0"	Ø152.40 x 2.77	200	-	-	-	169	45	-	-	-	180	782	-	165	

ISO

DN	Tube	A	B	C ₁ *	C ₂ *	ØD	Stroke ₁	Stroke ₂	F ₁ *	F ₂ *	G	H ₁ *	H ₂ *	N	kg
25	Ø33.7 x 2.0	80	60	431	468	104	20	12	455	492	57.7	441	478	37.9	
40	Ø48.3 x 2.0	100	65	451	488	104	20	16	485	522	72.3	459	496	45.2	
50	Ø60.3 x 2.0	100	70	550	587	129	30	20	565	602	84.3	564	601	51.2	
65	Ø76.1 x 2.0	120	80	589	631	154	30	24	645	687	100.1	608	650	59.1	
80	Ø88.9 x 2.3	150	90	608	655	154	30	30	675	722	112.3	636	683	65.2	

* C₁ / F₁ / H₁ / Stroke₁: Aseptische Ausführung

* C₁ / F₁ / H₁ / Stroke/Hub: Hygienische Ausführung

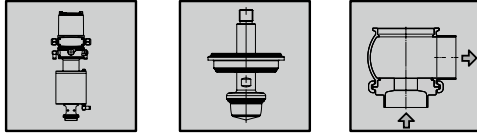


CONTROL VALVE SELECT WITH PNEUMATIC ACTUATOR

Hyg. Control Valve metallically sealed or with O-Ring (EPDM)

Select S 375 - W pneumatic

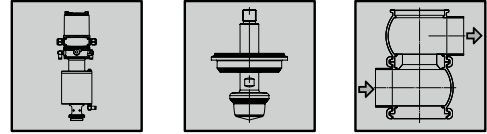
Right Angle Valve housing with changeable seat, profile gasket



SIZES	ID-NO.
DN 25 / 1.0" / ISO 25	o.r.
DN 40 / 1.5"	o.r.
DN 50 / 2.0" / ISO 40	o.r.
DN 65 / 2.5" / ISO 50	o.r.
DN 80 / 3.0" / ISO 65	o.r.
DN 100 / 4.0" / ISO 80	o.r.

Select S 375 - G pneumatic

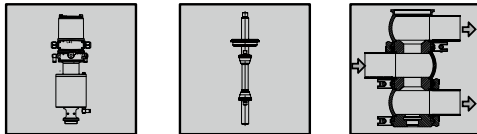
Split valve housing with changeable seat, profile gasket



SIZES	ID-NO.
DN 25 / 1.0" / ISO 25	o.r.
DN 40 / 1.5"	o.r.
DN 50 / 2.0" / ISO 40	o.r.
DN 65 / 2.5" / ISO 50	o.r.
DN 80 / 3.0" / ISO 65	o.r.
DN 100 / 4.0" / ISO 80	o.r.
DN 125	o.r.
DN 150 / 6.0"	o.r.

Select S 375 - 3G - D pneumatic

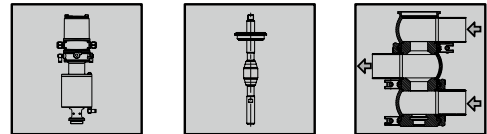
3-way Distributing Valve with split housing, profile gasket



SIZES	ID-NO.
DN 25 / 1.0" / ISO 25	o.r.
DN 40 / 1.5"	o.r.
DN 50 / 2.0" / ISO 40	o.r.
DN 65 / 2.5" / ISO 50	o.r.
DN 80 / 3.0" / ISO 65	o.r.
DN 100 / 4.0" / ISO 80	o.r.

Select S 375 - 3G - M pneumatic

3-way Mixing Valve with split housing, profile gasket

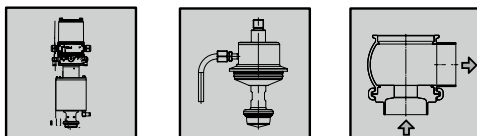


SIZES	ID-NO.
DN 25 / 1.0" / ISO 25	o.r.
DN 40 / 1.5"	o.r.
DN 50 / 2.0" / ISO 40	o.r.
DN 65 / 2.5" / ISO 50	o.r.
DN 80 / 3.0" / ISO 65	o.r.
DN 100 / 4.0" / ISO 80	o.r.

Asept. Control Valve with Diaphragm (P³) / metallically sealed or with O-Ring (EPDM)

Select A 375 D - W pneumatic

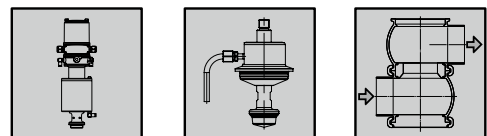
Right Angle Valve housing with changeable seat, diaphragm



SIZES	ID-NO.
DN 25 / 1.0" / ISO 25	o.r.
DN 40 / 1.5"	o.r.
DN 50 / 2.0" / ISO 40	o.r.
DN 65 / 2.5" / ISO 50	o.r.
DN 80 / 3.0" / ISO 65	o.r.
DN 100 / 4.0" / ISO 80	o.r.

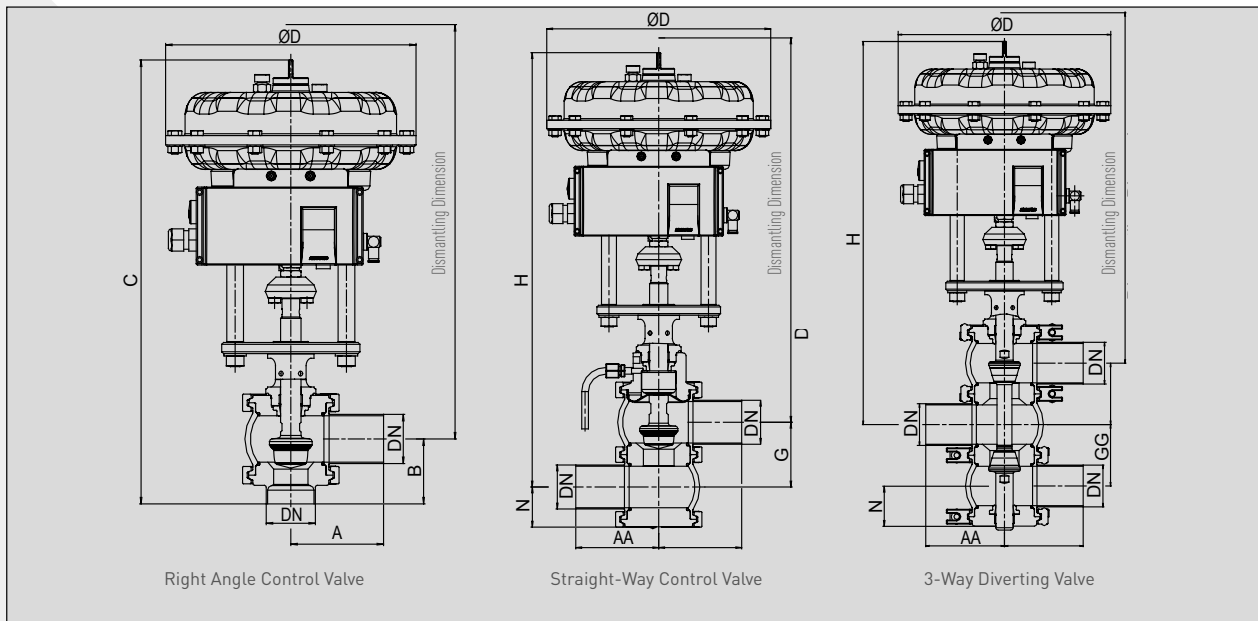
Select A 375 D - G pneumatic

Split valve housing with changeable seat, diaphragm



SIZES	ID-NO.
DN 25 / 1.0" / ISO 25	o.r.
DN 40 / 1.5"	o.r.
DN 50 / 2.0" / ISO 40	o.r.
DN 65 / 2.5" / ISO 50	o.r.
DN 80 / 3.0" / ISO 65	o.r.
DN 100 / 4.0" / ISO 80	o.r.

CONTROL VALVE SELECT WITH DIAPHRAGM ACTUATOR



Select ... 376 ...

METRIC		A	B	C ₁ *	C ₂ *	ØD	Stroke ₁	Stroke ₂	F ₁ *	F ₂ *	G	H ₁ *	H ₂ *	N	kg
DN	Tube														
25	Ø29 x 1.5	80	60	459	496	270	20	12	485	522	58	457	494	39	
40	Ø41 x 1.5	80	60	463	500	270	20	12	500	537	66	469	506	43	
50	Ø53 x 1.5	100	70	478	515	270	20	16	515	552	78	486	523	49	
65	Ø70 x 2.0	100	80	517	554	270	30	20	570	607	94	530	567	57	
80	Ø85 x 2.0	120	90	544	586	270	30	24	600	642	109	563	605	64	
100	Ø104 x 2.0	150	100	564	611	270	30	30	630	677	128	592	639	74	
125	Ø129 x 2.0	200	-	-	-	400	60	-	-	-	154	788	-	135	
150	Ø154 x 2.0	200	-	-	-	400	60	-	-	-	180	826	-	165	

OD-TUBE		A	B	C ₁ *	C ₂ *	ØD	Stroke ₁	Stroke ₂	F ₁ *	F ₂ *	G	H ₁ *	H ₂ *	N	kg
DN	Tube														
1.0"	Ø25.40 x 1.65	80	50	445	482	270	20	12	475	512	50.1	445	482	34	
1.5"	Ø38.10 x 1.65	80	55	456	502	270	20	12	490	527	62.8	464	501	40.4	
2.0"	Ø50.80 x 1.65	100	65	473	510	270	20	16	510	547	75.5	483	520	46.8	
2.5"	Ø63.50 x 1.65	100	70	504	541	270	30	20	560	597	88.2	522	568	53.1	
3.0"	Ø76.20 x 1.65	120	80	530	572	270	30	24	590	632	100.8	551	593	59.4	
4.0"	Ø101.60 x 2.11	150	90	552	594	270	30	30	625	672	125.4	588	635	71.7	
6.0"	Ø152.40 x 2.77	200	-	-	-	400	60	-	-	-	180	826	-	165	

ISO		A	B	C*	C ₂ *	ØD	Stroke ₁	Stroke ₂	F ₁ *	F ₂ *	G	H ₁ *	H ₂ *	N	kg
DN	Tube														
25	Ø33.7 x 2.0	80	60	463	500	270	20	12	500	537	57.7	469	506	37.9	
40	Ø48.3 x 2.0	100	65	478	515	270	20	16	515	552	72.3	486	523	45.2	
50	Ø60.3 x 2.0	100	70	517	554	270	30	20	570	607	84.3	530	567	51.2	
65	Ø76.1 x 2.0	120	80	544	586	270	30	24	600	642	100.1	563	605	59.1	
80	Ø88.9 x 2.3	150	90	564	611	270	30	30	630	677	112.3	592	639	65.2	

* C₂ / F₂ / H₂ / Stroke₂: Aseptic execution
 * C₁ / F₁ / H₁ / Stroke/Hub₁: Hygienic execution

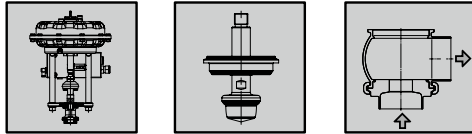


CONTROL VALVE SELECT WITH DIAPHRAGM ACTUATOR

Hyg. Control Valve metallically sealed or with O-Ring (EPDM)

Select S 376 - W pneumatic Diaphragm Actuator

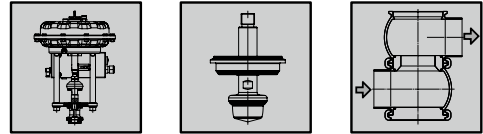
Right Angle Valve housing with changeable seat, profile gasket



SIZES	ID-NO.
DN 25 / 1.0" / ISO 25	o.r.
DN 40 / 1.5"	o.r.
DN 50 / 2.0" / ISO 40	o.r.
DN 65 / 2.5" / ISO 50	o.r.
DN 80 / 3.0" / ISO 65	o.r.
DN 100 / 4.0" / ISO 80	o.r.

Select S 376 - G pneumatic Diaphragm Actuator

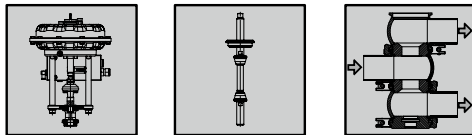
Split valve housing with changeable seat, profile gasket



SIZES	ID-NO.
DN 25 / 1.0" / ISO 25	o.r.
DN 40 / 1.5"	o.r.
DN 50 / 2.0" / ISO 40	o.r.
DN 65 / 2.5" / ISO 50	o.r.
DN 80 / 3.0" / ISO 65	o.r.
DN 100 / 4.0" / ISO 80	o.r.
DN 125	o.r.
DN 150 / 6.0"	o.r.

Select S 376 - 3G - D pneumatic Diaphragm Actuator

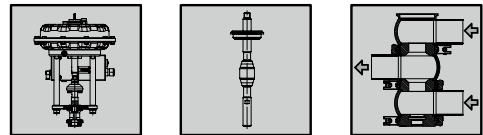
3-way Distributing Valve with split housing, profile gasket



SIZES	ID-NO.
DN 25 / 1.0" / ISO 25	o.r.
DN 40 / 1.5"	o.r.
DN 50 / 2.0" / ISO 40	o.r.
DN 65 / 2.5" / ISO 50	o.r.
DN 80 / 3.0" / ISO 65	o.r.
DN 100 / 4.0" / ISO 80	o.r.

Select S 376 -3G - M pneumatic Diaphragm Actuator

3-way Mixing Valve with split housing, profile gasket

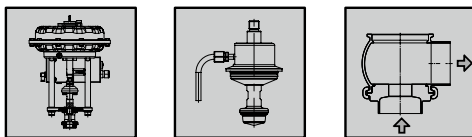


SIZES	ID-NO.
DN 25 / 1.0" / ISO 25	o.r.
DN 40 / 1.5"	o.r.
DN 50 / 2.0" / ISO 40	o.r.
DN 65 / 2.5" / ISO 50	o.r.
DN 80 / 3.0" / ISO 65	o.r.
DN 100 / 4.0" / ISO 80	o.r.

Asept. Control Valve with Diaphragm (P³) / metallically sealed or with O-Ring (EPDM)

Select A 376 D - W pneumatic Diaphragm Actuator

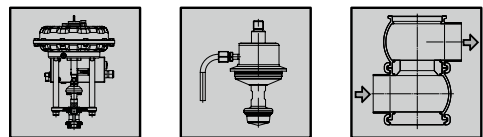
Right Angle Valve housing with changeable seat, diaphragm



SIZES	ID-NO.
DN 25 / 1.0" / ISO 25	o.r.
DN 40 / 1.5"	o.r.
DN 50 / 2.0" / ISO 40	o.r.
DN 65 / 2.5" / ISO 50	o.r.
DN 80 / 3.0" / ISO 65	o.r.
DN 100 / 4.0" / ISO 80	o.r.

Select A 376 D - G pneumatic Diaphragm Actuator

Split valve housing with changeable seat, diaphragm



SIZES	ID-NO.
DN 25 / 1.0" / ISO 25	o.r.
DN 40 / 1.5"	o.r.
DN 50 / 2.0" / ISO 40	o.r.
DN 65 / 2.5" / ISO 50	o.r.
DN 80 / 3.0" / ISO 65	o.r.
DN 100 / 4.0" / ISO 80	o.r.

Sets of Seals for Hygienic Select Control Valves, metallicly sealed

Product Side

		Select S375 - W Select S376 - W Select S275 - W	Select S375 - G Select S376 - G Select S275 - G	Select S376 - 3G Select S375 - 3G Select S275 - 3G
		EPDM	EPDM	EPDM
SIZES	ID-NO.	ID-NO.	ID-NO.	ID-NO.
DN 25/1.0"/ISO 25	2156223	2158301	2158307	2158307
DN 40/1.5"	2156223	2158301	2158307	2158307
DN 50/2.0"/ISO40	2158298	2158303	2158309	2158309
DN 65/2.5"/ISO 50	2156229	2158304	2158310	2158310
DN 80/3.0"/ISO 65	2158299	2158305	2158311	2158311
DN 100/4.0"/ISO 80	2158300	2158306	2162465	2162465
DN 125		2145854		
DN 150 / 6.0"		2145860		

Sets of Seals for Aseptic Select Control Valves, metallicly sealed

Product Side

		Select A375 D - W Select A376 D - W Select A275 D - W	Select A275 D - G Select A375 D - G Select A376 D - G	
		EPDM (without Diaphragm)	EPDM (without Diaphragm)	P ³ -Diaphragm
SIZES	ID-NO.	ID-NO.	ID-NO.	ID-NO.
DN 25/1.0"/ISO 25	2158286	2158291	2143030	2143030
DN 40/1.5"	2155790	2158292	2143030	2143030
DN 50/2.0"/ISO40	2158287	2158293	2143031	2143031
DN 65/2.5"/ISO 50	2158288	2158294	2142876	2142876
DN 80/3.0"/ISO 65	2158289	2158295	2143032	2143032
DN 100/4.0"/ISO 80	2158290	2158296	2143033	2143033



Sets of Seals for Hygienic Select Control Valves, O-Ring Sealed

Product Side

		Select S375 E - W Select S376 E - W Select S275 E - W	Select S375 E - G Select S376 E - G Select S275 E - G	Select S376 E - 3G Select S375 E - 3G Select S275 E - 3G
		EPDM	EPDM	EPDM
SIZES	ID-NO.	ID-NO.	ID-NO.	ID-NO.
DN 25/1.0"/ISO 25	Specify KV-value			
DN 40/1.5"				
DN 50/2.0"/ISO 40				
DN 65/2.5"/ISO 50				
DN 80/3.0"/ISO 65				
DN 100/4.0"/ISO 80				
DN 125				
DN 150 / 6.0"		2166590 2166591		

Sets of Seals for Aseptic Select Control Valves, O-Ring Sealed
Dichtungssätze für aseptische Select Regelventile, O-Ring dichtend

Product Side / Produktseite

		Select A375 D E - W Select A376 D E - W Select A275 D E - W	Select A275 D E - G Select A375 D E - G Select A376 D E - G	
		EPDM (without Diaphragm)	EPDM (without Diaphragm)	P ³ -Diaphragm
SIZES	ID-NO.	ID-NO.	ID-NO.	ID-NO.
DN 25/1.0"/ISO 25	Specify KV-value			2143030
DN 40/1.5"				2143030
DN 50/2.0"/ISO 40				2143031
DN 65/2.5"/ISO 50				2142876
DN 80/3.0"/ISO 65				2143032
DN 100/4.0"/ISO 80				2143033

Sets of Seals for Select Control Valves

Actuator Side

for Control Valves Select S 375 / A 375 D

SIZES	ID-NO.
DN 25-100/1"-4"/ISO25-80	2132039
DN 125-150/6"	o.r.

for Control Valves Select S 376 / A 376 D

Actuator Diaphragm		NBR*	
SIZES	ID-NO.	ID-NO.	ID-NO.
DN 25-100/1"-4"/ISO25-80	2127136	o.r.	2127135
DN 125-150/6"	2166592	o.r.	2166593

*Set of Seals without diaphragm

Clamp for Connection of Valve Housings / Lanterns

VALVE SIZE	CLAMP SIZE	ID-NO.	
DN 25/1.0"/ISO 25	2.5"	0034447	
DN 40/1.5"	2.5"	0034447	
DN 50/2.0"/ISO40	3.0"	0034587	
DN 65/2.5"/ISO 50	3.5"	0036590	
DN 80/3.0"/ISO 65	4.0"	0034595	
DN 100/4.0"/ISO 80	5.0"	2142011	
DN 125	6.625"	2111992	
DN 150/6.0"	8.0"	2130160	

5.1



SÜDMO

MISCELLANEOUS PROCESS VALVES

CONTENTS

6.1 CONSTANT PRESSURE VALVES

6.2 NON-RETURN VALVES

6.3 SVP SELECT OVERFLOW VALVES



SÜDMO

CONSTANT PRESSURE VALVES

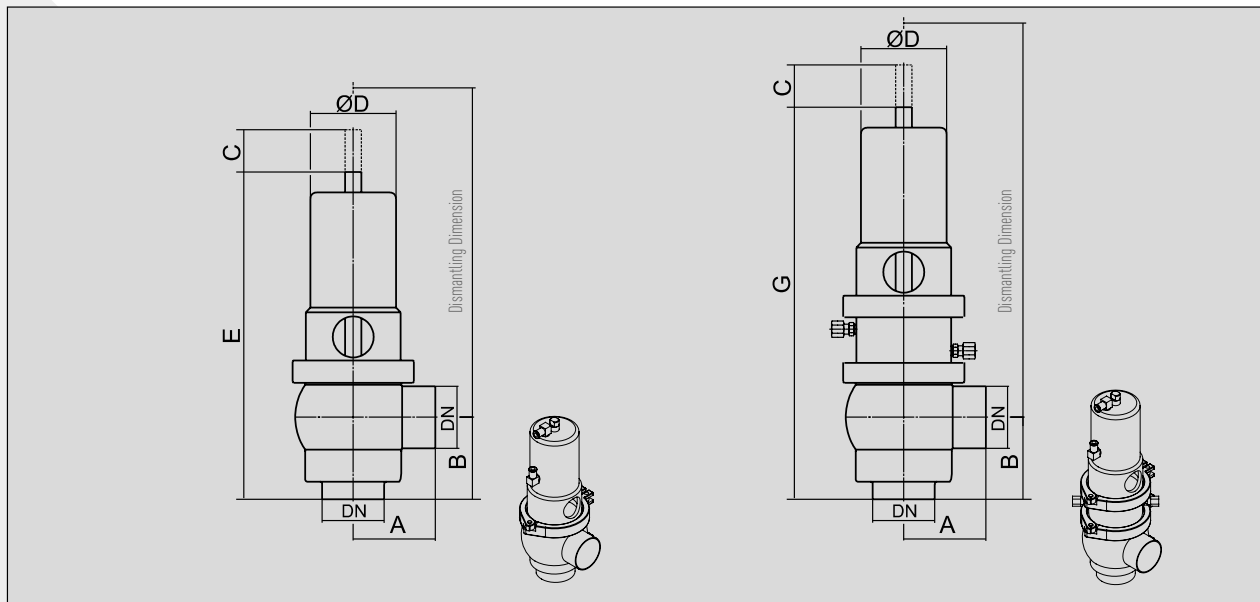
CONTENTS

6.1.2 CONSTANT PRESSURE VALVES

6.1.4 CONSTANT PRESSURE VALVES - ACCESSORIES AND SPARE PARTS

6.1.5 CVS VALUES

CONSTANT PRESSURE VALVES



Constant Pressure Valve

Constant Pressure Valve with steam barrier

T 725 KV

T 725 KV DS

METRIC

DN	Tube	A	B	C	ØD	E	F	G	H	kg
25	Ø29 x 1.5	80	55	30	49.5	237	300	290	350	5,1
40	Ø41 x 1.5	80	60	34	68.5	255	325	308	380	5,2
50	Ø53 x 1.5	100	70	36	73	279	360	332	415	6,5
65	Ø70 x 2.0	100	80	45	88	306	405	368	470	9,4
80	Ø85 x 2.0	120	90	45	106	324	435	387	500	13,7
100	Ø104 x 2.0	150	100	50	128	354	485	426	560	21,7

OD-TUBE

DN	Tube	A	B	C	ØD	E	F	G	H	kg
1.0"	Ø25.40 x 1.65	80	55	30	49.5	237	300	290	350	5,1
1.5"	Ø38.10 x 1.65	80	60	34	68.5	255	325	308	380	5,1
2.0"	Ø50.80 x 1.65	100	70	36	73	279	360	332	415	6,5
2.5"	Ø63.50 x 1.65	100	80	45	88	306	405	368	470	9,2
3.0"	Ø76.20 x 1.65	120	90	45	106	324	435	387	500	13,6
4.0"	Ø101.60 x 2.11	150	100	50	128	354	485	426	560	21,7

ISO

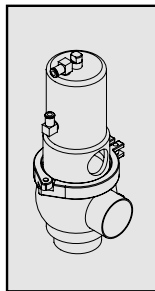
DN	Tube	A	B	C	ØD	E	F	G	H	kg
25	Ø33.7 x 2.0	80	55	30	49.5	237	300	290	350	5,1
40	Ø48.3 x 2.0	100	70	36	73	279	360	332	415	6,5
50	Ø60.3 x 2.0	100	80	45	88	306	405	368	470	9,2
65	Ø76.1 x 2.0	120	90	45	106	324	435	387	500	13,6
80	Ø88.9 x 2.3	150	100	50	128	354	485	426	560	21,7



CONSTANT PRESSURE VALVES

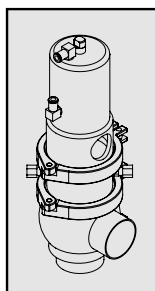
TECHNICAL SPECIFICATION			
Materials	Product wetted parts	1.4404 (AISI 316 L)	Other materials on request
	Parts not product wetted	1.4301 (AISI 304), 1.4307 (AISI 304 L)	
Sealing Elements	Sealing materials (FDA)	EPDM / PEEK	Other sealing materials on request
Temperatures	Continuous operating temperature	EPDM 130° C/265°F *	
	Sterilization temperature	EPDM 150°C/300°F * (approx. 20 min.)	
Pressures	Operating pressure	10 bar (145 psi)	Higher pressures on request
	Adjustment pressure	On request	
Surfaces	Product wetted surfaces	Ra ≤ 0,8 µm	
Connections	Standard	Welding ends for pipes acc. to DIN 11850 series 2 (DIN 11866 series A), OD-tube (ASTM A270, DIN 11866 series C, ASME BPE-2009) and DIN EN ISO 1127 (DIN 11866 Series B)	

* Depending on operating parameters



Constant Pressure Valve T 725 KV

METRIC	ID-NO.	OD-TUBE	ID-NO.	ISO	ID-NO.
25	2311300	1.0"	2311306	25	o.r.
40	2311301	1.5"	2311307		
50	2311302	2.0"	2311308	40	o.r.
65	2311303	2.5"	2311309	50	o.r.
80	2311304	3.0"	2311310	65	o.r.
100	2311305	4.0"	2311311	80	o.r.



Constant Pressure Valve with Steam Barrier T 725 KV DS

METRIC	ID-NO.	OD-TUBE	ID-NO.	ISO	ID-NO.
25	2311312	1.0"	2311318	25	o.r.
40	2311313	1.5"	2311319		
50	2311314	2.0"	2311320	40	o.r.
65	2311315	2.5"	2311321	50	o.r.
80	2311316	3.0"	2311322	65	o.r.
100	2311317	4.0"	2311323	80	o.r.

6.1

CONSTANT PRESSURE VALVES ACCESSORIES / SPARE PARTS

Sets of Seals for Constant Pressure Valves

Product Side

for valve T 725 KV

SIZES	EPDM	FKM	HNBR
	ID-NO.	ID-NO.	ID-NO.
DN 25/1.0"/ISO 25	2161527	2913927	2163620
DN 40/1.5"	2161527	2913927	2163620
DN 50/2.0"/ISO 40	2162732	2313652	2313653
DN 65/2.5"/ISO 50	2162742	2313654	2313655
DN 80/3.0"/ISO 65	2162752	2313656	2313657
DN 100/4.0"/ISO 80	2162762	2313658	2313659

Sets of Seals for Constant Pressure Valves with Steam Barrier

Product Side

for valve T 725 KV DS

SIZES	EPDM	FKM	HNBR
	ID-NO.	ID-NO.	ID-NO.
DN 25/1.0"/ISO 25	2313661	2313666	2313667
DN 40/1.5"	2313661	2313666	2313667
DN 50/2.0"/ISO 40	2313660	2313670	2313671
DN 65/2.5"/ISO 50	2163507	2313672	2313673
DN 80/3.0"/ISO 65	2163552	2313674	2313675
DN 100/4.0"/ISO 80	2313662	2313676	2313677

Sets of Seals for Constant Pressure Valves

Actuator Side

SIZES	NBR
	ID-NO.
DN 25/1.0"/ISO 25	2162731
DN 40/1.5"	2162731
DN 50/2.0"/ISO 40	2162730
DN 65/2.5"/ISO 50	2162740
DN 80/3.0"/ISO 65	2162750
DN 100/4.0"/ISO 80	2162760

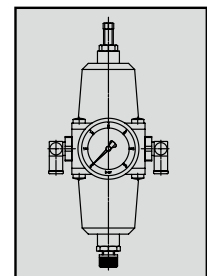
Clamp for Connection of Valve Housing and Lantern

VALVE SIZE	CLAMP SIZE	ID-NO.
DN 25/1.0"/ISO 25	2.5"	0034447
DN 40/1.5"	2.5"	0034447
DN 50/2.0"/ISO 40	3.0"	0034587
DN 65/2.5"/ISO 50	3.5"	0034590
DN 80/3.0"/ISO 65	4.0"	0034595
DN 100/4.0"/ISO 80	5.0"	2125807

Pressure Controller

incl. pressure gauge, sheet metal housing and elbow hose connections

SIZES	ADJUSTMENT RANGE		HOLDING PRESSURE		ID-NO.
General	0.1 - 3.0 bar	1,45 - 43,5 psi	2.0 - 4.5 bar	29 - 62,25 psi	2025959
General	0.1 - 7.0 bar	1,45 - 101,5 psi	2.0 - 10.0 bar	29 - 145 psi	2918454

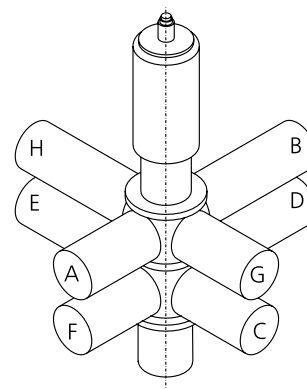


SÜDMO DSV COMPLETE

CONSTANT PRESSURE VALVES

KVS/CVS-VALUES

FLOW MEASUREMENT



CONSTANT PRESSURE VALVE T 725 KV

DN 25

VALVE	KVS-VALUE	CVS-VALUE
Flow direction U -> A valve opened	16,6	19,3
Flow direction U -> A valve closed	0,6	0,7

DN 50

VALVE	KVS-VALUE	CVS-VALUE
Flow direction U -> A valve opened	65,2	75,9
Flow direction U -> A valve closed	1,0	1,1

DN 80

VALVE	KVS-VALUE	CVS-VALUE
Flow direction U -> A valve opened	153,0	178,1
Flow direction U -> A valve closed	1,2	1,3

DN 40

VALVE	KVS-VALUE	CVS-VALUE
Flow direction U -> A valve opened	46,6	54,2
Flow direction U -> A valve closed	0,8	0,9

DN 65

VALVE	KVS-VALUE	CVS-VALUE
Flow direction U -> A valve opened	95,0	110,6
Flow direction U -> A valve closed	1,1	1,2

DN 100

VALVE	KVS-VALUE	CVS-VALUE
Flow direction U -> A valve opened	245,0	285,1
Flow direction U -> A valve closed	1,8	2,0

CVS: CVS-VALUE ACC. TO DIN EN 60534-2-3



SÜDMO

NON-RETURN VALVES

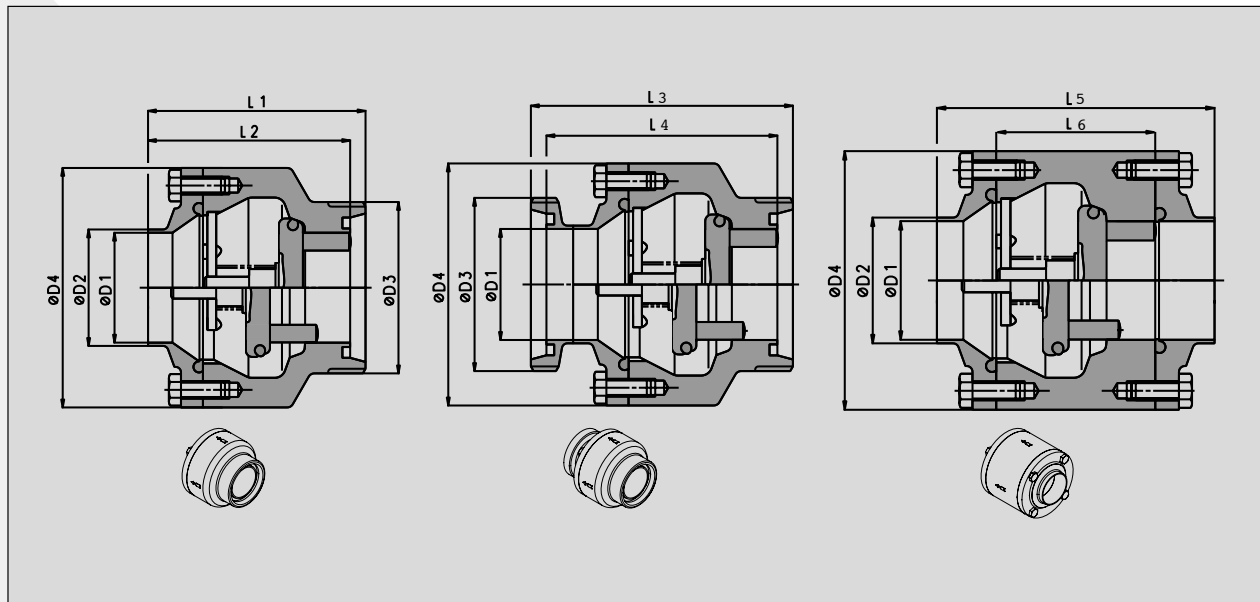
CONTENTS

6.2.2 NON-RETURN VALVES M2010

6.2.4 NON-RETURN VALVE ACCESSORIES AND SPARE PARTS

6.2.5 CVS VALUES

NON RETURN VALVES M2010



P 740
Male/welding end

P 741
2 x male

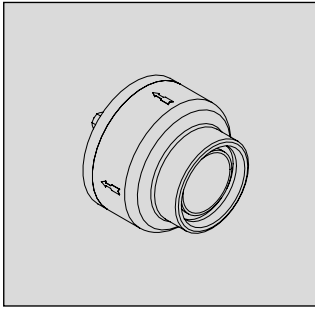
P 750
sandwich style between small flanges

METRIC												
DN	ØD1	ØD2	ØD3	ØD4	L ₁	L ₂	L ₃	L ₄	L ₅	L ₆	kg (P740)	kg (P750)
10	10	13	Rd 44x1/6"	62.5	73	67	90	80	95	45	0.9	1.4
15	16	19	Rd 44x1/6"	62.5	73	67	90	80	95	45	0.9	1.4
20	20	23	Rd 44x1/6"	62.5	73	67	92	80	95	45	0.9	1.4
25	26	29	Rd 52x1/6"	84	80	73	102	88	98	48	1.5	2.5
40	38	41	Rd 65x1/6"	96	90	83	112	98	108	58	2.3	3.4
50	50	53	Rd 78x1/6"	109	99	91	112	108	117	67	3.0	4.4
65	66	70	Rd 95x1/6"	126	114	106	139	123	131	81	4.5	6.3
80	81	85	Rd 110x1/4"	141	125	117	150	134	142	92	5.0	7.4
100	100	104	Rd 130x1/4"	161	139	129	169	149	154	104	7.3	9.5
125	125	129	-	200	-	-	-	-	195	135	-	18.8
150	150	154	-	230	-	-	-	-	210	150	-	24.7

OD-TUBE							
DN	ØD1	ØD2	ØD4	L ₅	L ₆	kg (P750)	
0.5"	9.4	12.7	62.5	95	45	1.4	
0.75"	15.8	19.1	62.5	95	45	1.4	
1.0"	22.1	25.4	84	98	48	2.5	
1.5"	34.8	38.1	96	108	58	3.4	
2.0"	47.5	50.8	109	117	67	4.4	
2.5"	60.2	63.5	126	131	81	6.3	
3.0"	72.9	76.2	141	142	92	7.4	
4.0"	97.4	101.6	161	154	104	9.5	
5.0"	122.8	127	200	195	135	18.8	
6.0"	146.9	152.4	230	210	150	24.7	



NON RETURN VALVES M2010

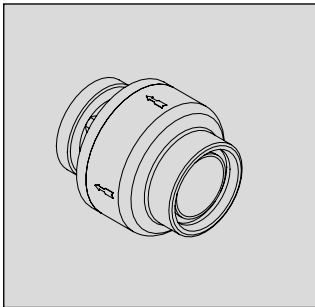


Non-Return Valves, Male/Welding End (EPDM)

P 740

1.4404 (AISI 316 L)

METRIC	ID-NO.
10	2916270
15	2916271
20	2916272
25	2308153
40	2308081
50	2308082
65	2308032
80	2308069
100	2160885

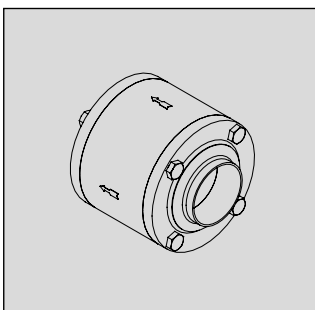


Non-Return Valves, 2 x Male (EPDM)

P 741

1.4404 (AISI 316 L)

METRIC	ID-NO.
10	2916279
15	2916280
20	2916281
25	2308152
40	2308079
50	2308080
65	2308033
80	2308070
100	2160884



Non-Return Valves, Sandwich Style between Small Flanges (EPDM)

P 750

1.4404 (AISI 316 L)

1.4404 (AISI 316 L)

METRIC	ID-NO.	OD-TUBE	ID-NO.
10	2916249		
15	2916250	0.5"	2916260
20	2916251	0.75"	2916261
25	2308148	1.0"	2308150
40	2308084	1.5"	2308089
50	2308085	2.0"	2308090
65	2307986	2.5"	2308109
80	2308065	3.0"	2308067
100	2160886	4.0"	2160887
125	2308111	5.0"	2308112
150	2309464	6.0"	2310313

Sets of Seals for Non-Return Valves Seal(s) for pipe connection(s) not included

Product Side

for valves P 740 / P 741

EPDM	
SIZES	ID-NO.
DN 10	2916293
DN 15	2916293
DN 20	2916293
DN 25	2916294
DN 40	2916295
DN 50	2916296
DN 65	2916297
DN 80	2916298
DN 100	2916299

Sets of Seals for Non-Return Valves

Product Side

for valves P 750

EPDM	
SIZES	ID-NO.
DN 10	2916303
DN 15/0,5"	2916303
DN 20/0,75"	2916303
DN 25/1,0"	2916304
DN 40/1,5"	2916305
DN 50/2,0"	2916306
DN 65/2,5"	2916307
DN 80/3,0"	2916308
DN 100/4,0"	2916309
DN 125/5,0"	2916310
DN 150/6,0"	2916311

6.2



SÜDMO DSV COMPLETE

NON-RETURN VALVES

KVS/CSV-VALUES

FLOW MEASUREMENT



NON-RETURN VALVES P740/P750

$$\Delta P [\text{bar}] = \left(\frac{Q [\text{m}^3/\text{h}]}{KV} \right)^2 \Delta P [\text{PSI}] = \left(\frac{Q [\text{gal}/\text{min}]}{CV} \right)^2$$

DN 25/OD 1.0"

VALVE	KVS-VALUE	CVS-VALUE
P740/P750	20,0	23,3

DN 80/OD 3.0"

VALVE	KVS-VALUE	CVS-VALUE
P740/P750	146,0	169,9

DN 40/OD 1.5"

VALVE	KVS-VALUE	CVS-VALUE
P740/P750	41,0	47,7

DN 100/OD 4.0"

VALVE	KVS-VALUE	CVS-VALUE
P740/P750	251,0	292,1

DN 50/OD 2.0"

VALVE	KVS-VALUE	CVS-VALUE
P740/P750	56,0	65,2

DN 125

VALVE	KVS-VALUE	CVS-VALUE
P740/P750	383,0	445,7

DN 65/OD 2.5"

VALVE	KVS-VALUE	CVS-VALUE
P740/P750	106,0	123,4

DN 150/OD 6.0"

VALVE	KVS-VALUE	CVS-VALUE
P740/P750	465,0	541,1

CVS: CVS-VALUE ACC. TO DIN EN 60534-2-3

6.2



SÜDMO

SVP SELECT OVERFLOW VALVES

CONTENT

- 6.3.2 GENERAL INFORMATION AND TECHNICAL SPECIFICATION TYPE EAF+
- 6.3.4 DIMENSIONS, TECHNICAL DRAWINGS, ID NUMBERS TYPE EAF+
- 6.3.9 SVP SELECT OVERFLOW VALVES ACCESSORIES AND SPARE PARTS TYPE EAF+
- 6.3.10 SVP SELECT OVERFLOW VALVES TYPE EAD

SÜDMO SVP SELECT OVERFLOW VALVES

PENTAIR SÜDMO OVERFLOW VALVES SVP SELECT TYPE EAF+ FEATURING ADJUSTABLE SPRING LOAD ACTUATORS

The EAF+ overflow valve series is an extension of the SVP Select Single Seat Valve series with adjustable set pressure actuator.

Apart from the SVP Select series there are also hygienic as well as aseptic designs available.

DEFINITION OVERFLOW VALVE

- Overflow valves **relieve pressure areas in cases of excessive pressure build-up** in closed spaces (piping, containers, tanks)
- The **output medium can be** discharged or returned/directed **into a closed system**
- In terms of the EC Pressure Equipment Directive 97/23/EC overflow valves are **not safety-equipped** parts and do not possess **any type of examination certificates**

ADVANTAGES OF SVP SELECT TYPE EAF+ OVERFLOW VALVES

- High operating pressures - up to 10 bar (145 psi)
- Simple adjustment of set pressure
- Low hysteresis of < 0.5 bar (7 psi)
- Standard with pneumatic lifting actuator for CIP cleaning
- Easy adaption of the IntelliTop 2.0
- Standard SVP Select seal kits
- Numerous industry authorizations and certifications



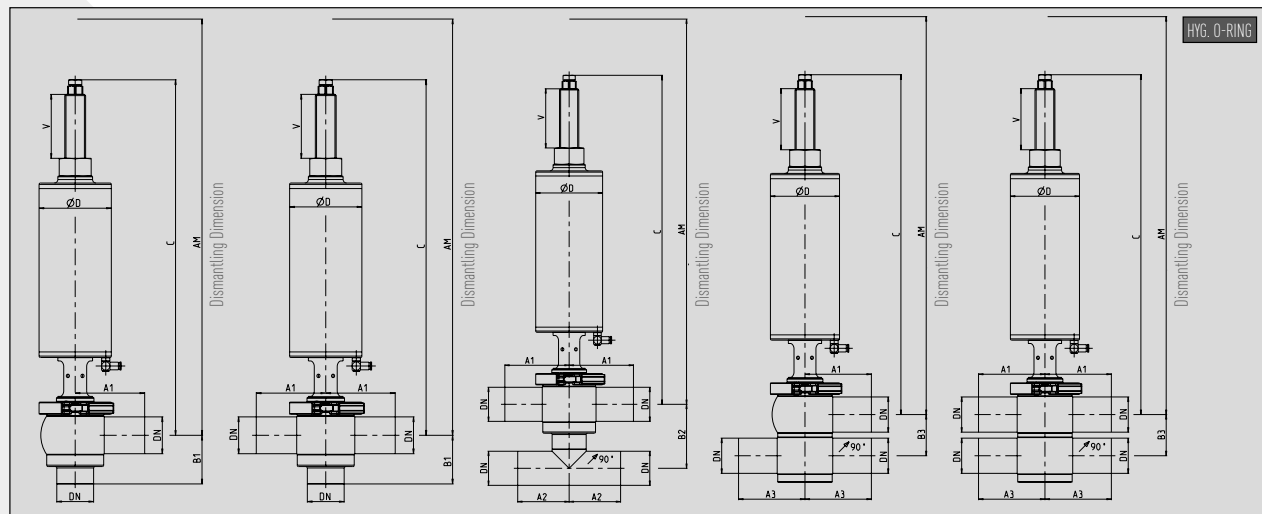
SÜDMO SVP SELECT

OVERFLOW VALVES

TECHNICAL SPECIFICATION	
Materials	Product wetted parts 1.4404 (AISI 316 L)
	Optional 1.4435 (AISI 316 L) Other materials on request
	Parts not product wetted 1.4301 (AISI 304), 1.4307 (AISI 304 L)
Sealing Elements	Sealing materials (FDA) EPDM Other sealing materials on request
	Diaphragm (FDA) P ³
Temperatures	Continuous operating temperature EPDM 130°C/266°F * P ³ 150°C / 302 °F
	Sterilization temperature EPDM 150°C/302°F * (approx. 20 min.) P ³ 150°C / 302 °F
Pressures	Operating pressure max. 12 bar (174 psi)
	Control pressure Min. 6 bar (87 psi) - max. 8 bar (116 psi)
Surfaces	Product wetted surfaces Ra < 0,8 µm
	Surfaces not product wetted Bright-turned, Ra 1,6 µm
	Optional Product wetted surfaces e-polished, higher quality surfaces
Connections	Standard Welding ends for pipes acc. to DIN 11850 series 2 (DIN 11866 series A), OD-Tube (ASTM A270, DIN 11866 series C, ASME BPE-2009)
	Optional Other tube diameters on request

* Depending on operating parameters

SVP SELECT OVERFLOW VALVES



Right Angle Valve

Double Right Angle Valve

S370E EAF+	S371E EAF+	S372E EAF+	S373E EAF+	S374E EAF+
------------	------------	------------	------------	------------

METRIC

DN	Tube	Actuator	Set Pressure		A1	A2	A3	B1	B2	B3	C	ØD	AM	V	HUB	kg
			[bar]	[psi]												
25	Ø29x1.5	1	0.5-4.0	7-58	80	48	80	60	75.5	41	506	104	555	85	22	7.7
		3	2.0-10.0	29-145	80	48	80	60	75.5	41	536	104	585	85	22	7.9
40	Ø41x1.5	1	0.5-3.5	7-50	80	58	80	60	82.5	50	510	104	580	85	17	7.5
		3	2.5-10.0	36-145	80	58	80	60	82.5	50	540	104	610	85	17	7.7
50	Ø53x1.5	2	0.5-3.5	7-50	100	78	100	70	99.5	62	512	104	595	85	21	8.5
		4	3.0-10.0	44-145	100	78	100	70	99.5	62	556	104	635	85	21	8.8
65	Ø70x2.0	3	0.5-3.0	7-43	100	100	100	80	119.5	80	554	104	650	85	27	9.9
		5	3.0-10.0	44-145	100	100	100	80	119.5	80	630	154	730	95	27	15.3
80	Ø85x2.0	6	0.5-3.0	7-43	120	125	120	90	137	95	580	154	690	85	30	16.4
		8	3.0-10.0	44-145	120	125	120	90	137	95	650	154	760	110	30	17
100	Ø104x2.0	7	0.5-3.5	7-50	150	150	150	100	157.5	114	586	154	715	85	31	18.7
		9	3.5-10.0	51-145	150	150	150	100	157.5	114	691	204	820	110	31	26.5

OD-TUBE

DN	Tube	Actuator	Set Pressure		A1	A2	A3	B1	B2	B3	C	ØD	AM	V	HUB	kg
			[bar]	[psi]												
1.0"	Ø25.4x1.65	1	1.0-4.5	15-65	80	52	80	50	63.7	35	502	104	555	85	13	7.5
		3	3.0-10.0	43-145	80	52	80	50	63.7	35	532	104	585	85	13	7.6
1.5"	Ø38.1x1.65	1	1.0-3.5	15-50	80	58	80	55	75.6	43	509	104	580	85	10	7.4
		3	2.5-10.0	36-145	80	58	80	55	75.6	43	538	104	610	85	10	7.5
2.0"	Ø50.8x1.65	2	1.0-3.5	15-50	100	70	100	65	93.4	60	511	104	590	85	14	8.5
		4	3.5-10.0	51-145	100	70	100	65	93.4	60	555	104	635	85	14	8.8
2.5"	Ø63.5x1.65	3	1.0-3.5	15-50	100	78	100	70	104.8	73	551	104	650	85	18.1	9.7
		5	3.5-10.0	51-145	100	78	100	70	104.8	73	627	154	730	95	18.1	15.1
3.0"	Ø76.2x1.65	6	1.0-3.0	15-43	120	84	120	80	122.6	86	575	154	690	85	21.8	16.2
		8	3.0-10.0	44-145	120	84	120	80	122.6	86	645	154	760	110	21.8	16.9
4.0"	Ø101.6x2.11	7	0.5-3.5	7-50	150	102	150	90	146.3	108	585	154	715	85	28.4	18.5
		9	3.5-10.0	51-145	150	102	150	90	146.3	108	690	204	820	110	28.4	26.3





Hyg. Right Angle Valve with Profile Seal / O-Ring (EPDM)
Select S 370 E EAF+ pneumatic air to open-spring to close

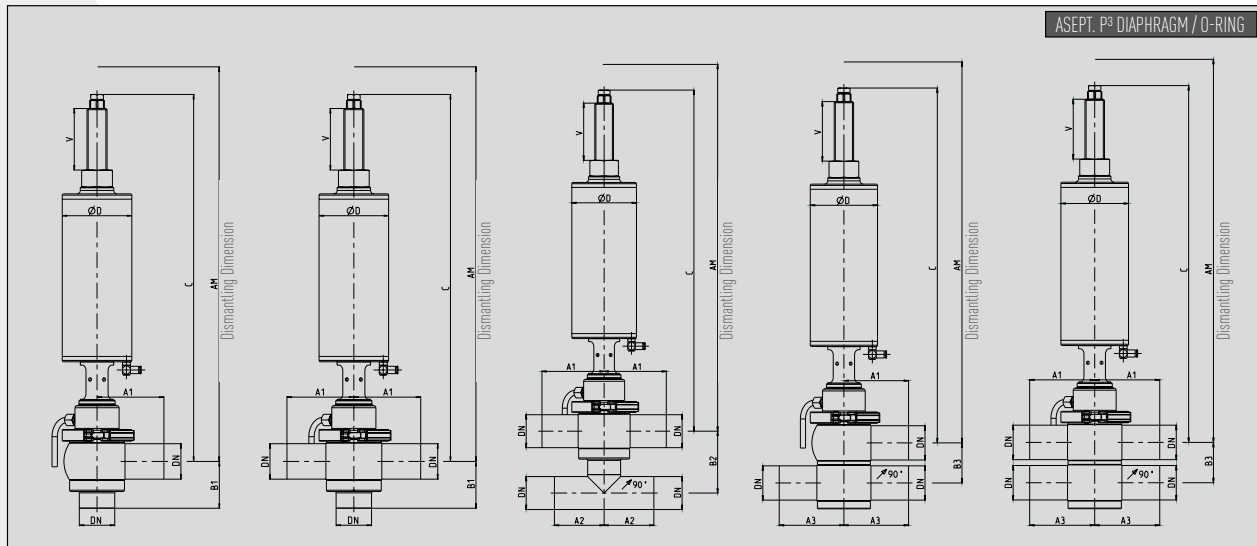
METRIC	ACTUATOR	SET PRESSURE [bar]	ID-NO.	OD-TUBE	ACTUATOR	SET PRESSURE [bar]	ID-NO.
25	1	0.5-4.0	2324000	1.0"	1	1.0-4.5	2324011
	3	2.0-10.0	2324001		3	2.5-10.0	2324012
40	1	0.5-3.5	2324002	1.5"	1	1.0-3.5	2324013
	3	2.5-10.0	2324003		3	2.5-10.0	2324014
50	2	0.5-3.5	2324004	2.0"	2	1.0-3.5	2324015
	4	3.0-10.0	2318784		4	3.5-10.0	2324016
65	3	0.5-3.0	2324005	2.5"	3	1.0-3.5	2324017
	5	3.0-10.0	2324006		5	3.5-10.0	2324018
80	6	0.5-3.0	2324007	3.0"	6	1.0-3.0	2324019
	8	3.0-10.0	2324008		8	3.0-10.0	2324020
100	7	0.5-3.5	2324009	4.0"	7	0.5-3.5	2324021
	9	3.5-10.0	2324010		9	3.5-10.0	2324022



Hyg. Straight-Way Valve mit O-Ring (EPDM)
Select S 374 E EAF+ pneumatic air to open-spring to close

METRIC	ACTUATOR	SET PRESSURE [bar]	ID-NO.	OD-TUBE	ACTUATOR	SET PRESSURE [bar]	ID-NO.
25	1	0.5-4.0	2324023	1.0"	1	1.0-4.5	2324035
	3	2.0-10.0	2324024		3	2.5-10.0	2324036
40	1	0.5-3.5	2324025	1.5"	1	1.0-3.5	2324037
	3	2.5-10.0	2324026		3	2.5-10.0	2324038
50	2	0.5-3.5	2324027	2.0"	2	1.0-3.5	2324039
	4	3.0-10.0	2324028		4	3.5-10.0	2324040
65	3	0.5-3.0	2324029	2.5"	3	1.0-3.5	2324041
	5	3.0-10.0	2324030		5	3.5-10.0	2324042
80	6	0.5-3.0	2324031	3.0"	6	1.0-3.0	2324043
	8	3.0-10.0	2324032		8	3.0-10.0	2324044
100	7	0.5-3.5	2324033	4.0"	7	0.5-3.5	2324045
	9	3.5-10.0	2324034		9	3.5-10.0	2324046

SVP SELECT OVERFLOW VALVES



A370D-E EAF+ A371D-E EAF+ A372D-E EAF+ A373D-E EAF+ A374D-E EAF+

METRIC

DN	Tube	Actuator	Set Pressure		A1	A2	A3	B1	B2	B3	C	ØD	AM	V	HUB	kg
			[bar]	[psi]												
25	Ø29x1.5	1	1.0-4.5	15-65	80	48	80	60	75.5	41	543	104	610	85	12	8.5
		3	3.0-10.0	36-145	80	48	80	60	75.5	41	573	104	640	85	12	8.7
40	Ø41x1.5	3	1.0-3.5	15-50	80	58	80	60	82.5	50	547	104	630	85	12	8.5
		3	2.5-10.0	36-145	80	58	80	60	82.5	50	577	104	660	85	12	8.7
50	Ø53x1.5	2	1.0-3.5	15-50	100	78	100	70	99.5	62	549	104	640	85	16	9.4
		4	3.5-10.0	51-145	100	78	100	70	99.5	62	593	104	685	85	16	9.7
65	Ø70x2.0	3	0.5-3.0	7-43	100	100	100	80	119.5	80	591	104	695	85	22	16.3
		5	3.0-10.0	44-145	100	100	100	80	119.5	80	667	154	770	95	22	16.5
80	Ø85x2.0	6	0.5-3.0	7-43	120	125	120	90	137	95	621	154	745	85	24	17.9
		8	3.0-10.0	44-145	120	125	120	90	137	95	691	154	815	110	24	18.5
100	Ø104x2.0	7	0.5-3.0	7-50	150	150	150	100	157.5	114	633	154	760	85	32.5	20.5
		9	3.0-10.0	44-145	150	150	150	100	157.5	114	738	204	865	110	32.5	28.4

OD-TUBE

DN	Tube	Actuator	Set Pressure		A1	A2	A3	B1	B2	B3	C	ØD	AM	V	HUB	kg
			[bar]	[psi]												
1.0"	Ø25.4X1.65	1	1.0-5.0	15-72	80	52	80	50	63.7	35	539	104	605	85	7	8.2
		3	3.5-10.0	51-145	80	52	80	50	63.7	35	569	104	635	85	7	8.4
1.5"	Ø38.1X1.65	1	1.0-3.5	15-50	80	58	80	55	75.6	43	545	104	615	85	12	8.4
		3	2.5-10.0	36-145	80	58	80	55	75.6	43	575	104	635	85	12	8.5
2.0"	Ø50.8X1.65	2	1.0-3.5	15-50	100	70	100	65	93.4	60	548	104	625	85	16	9.3
		4	3.5-10.0	51-145	100	70	100	65	93.4	60	592	104	670	85	16	9.6
2.5"	Ø63.5X1.65	3	0.5-3.0	7-50	100	78	100	70	104.8	73	588	104	675	85	22	10.8
		5	3.0-10.0	44-145	100	78	100	70	104.8	73	664	154	755	95	22	16.2
3.0"	Ø76.2X1.65	6	0.5-3.0	7-43	120	84	120	80	122.6	86	617	154	730	85	24	17.7
		8	3.0-10.0	44-145	120	84	120	80	122.6	86	687	154	800	110	24	18.3
4.0"	Ø101.6X2.11	7	0.5-3.5	7-50	150	102	150	90	146.3	108	632	154	760	85	28.4	20.4
		9	3.5-10.0	51-145	150	102	150	90	146.3	108	632	204	865	110	28.4	28.2





Asept. Right Angle Valve with Diaphragm (P³) and O-Ring (EPDM)

Select A 370 D-E EAF+ pneumatic air to open-spring to close

METRIC	ACTUATOR	SET PRESSURE [bar]	ID-NO.	OD-TUBE	ACTUATOR	SET PRESSURE [bar]	ID-NO.
25	1	1.0-4.5	2323621	1.0"	1	1.0-5.0	2324049
	3	2.5-10.0	2323622		3	3.5-10.0	2324050
40	1	1.0-3.5	2323623	1.5"	1	1.0-3.5	2324051
	3	2.5-10.0	2323624		3	2.5-10.0	2324052
50	2	1.0-3.5	2323625	2.0"	2	1.0-3.5	2324053
	4	3.5-10.0	2323626		4	3.5-10.0	2324054
65	3	0.5-3.0	2323627	2.5"	3	0.5-3.0	2324055
	5	3.0-10.0	2323628		5	3.0-10.0	2324056
80	6	0.5-3.0	2323629	3.0"	6	0.5-3.0	2324057
	8	3.0-10.0	2324047		8	3.0-10.0	2324058
100	7	0.5-3.0	2324048	4.0"	7	0.5-3.5	2324059
	9	3.0-10.0	2323950		9	3.5-10.0	2324060



Asept. Straight-Way Valve with Diaphragm (P³) and O-Ring (EPDM)

Select A 374 D-E EAF+ pneumatic air to open-spring to close

METRIC	ACTUATOR	SET PRESSURE [bar]	ID-NO.	OD-TUBE	ACTUATOR	SET PRESSURE [bar]	ID-NO.
25	1	1.0-4.5	2324061	1.0"	1	1.0-5.0	2324073
	3	2.5-10.0	2324062		3	3.5-10.0	2324074
40	1	1.0-3.5	2324063	1.5"	1	1.0-3.5	2324075
	3	2.5-10.0	2324064		3	2.5-10.0	2324076
50	2	1.0-3.5	2324065	2.0"	2	1.0-3.5	2324077
	4	3.5-10.0	2324066		4	3.5-10.0	2324078
65	3	0.5-3.0	2324067	2.5"	3	0.5-3.0	2324079
	5	3.0-10.0	2324068		5	3.0-10.0	2324080
80	6	0.5-3.0	2324069	3.0"	6	0.5-3.0	2324081
	8	3.0-10.0	2324070		8	3.0-10.0	2324082
100	7	0.5-3.0	2324071	4.0"	7	0.5-3.5	2324083
	9	3.0-10.0	2324072		9	3.5-10.0	2324084



Sets of Seals for Hygienic Overflow Valves with Profile Seal / O-Ring

Product Side

For valves SVP Select S 370-374 EAF+

	EPDM	FKM	HNBR
SIZES	ID-NO.	ID-NO.	ID-NO.
DN 25/1.0"	2132024	2143626	2156768
DN 40/1.5"	2132025	2143627	2156741
DN 50/2.0"	2132026	2143628	2156745
DN 65/2.5"	2132027	2143629	2156748
DN 80/3.0"	2132028	2143630	2156738
DN 100/4.0"	2132029	2143631	2156739

Sets of Seals for Aseptic Overflow Valves with Diaphragm (P³) and O-Ring

Product Side

For valves SVP Select A 370-374D-EAF+

	EPDM (without diaphragm)	FKM (without diaphragm)	HNBR (without diaphragm)	P ³ -Diaphragm
SIZES	ID-NO.	ID-NO.	ID-NO.	ID-NO.
DN 25/1.0"	2155447	2306442	2306444	2143030
DN 40/1.5"	2155448	2306443	2306445	2143030
DN 50/2.0"	2155449	2158114	2306446	2143031
DN 65/2.5"	2155450	2158537	2306447	2142876
DN 80/3.0"	2155451	2158347	2306448	2143032
DN 100/4.0"	2155452	2158357	2306449	2143033

6.3

Actuator Side (actuator sizes 1-9)

NBR	
SIZES	ID-NO.
DN 25-100/1.0"-4.0"	2174329

Please refer for seal kits and spare parts for further variants to catalog chapter 1.8.

SVP SELECT OVERFLOW VALVES TYP EAD

OPTION: OVERFLOW VALVES TYPE EAD

Also available as an option: pneumatic version without spring tension (Type EAD). The overflow valve set pressure is defined by pressure overlay of the actuator piston. To set the overlay pressure, and subsequently, the set pressure of the overflow valves, an external filter pressure regulator is used.

The catalog s for Overflow Valves Type EAD can be calculated like this:

Catalog of the pneumatic shut-off valve SVP Select (Type 370-374 / A370-374D) from the chapters 1.1 and 1.5, plus additional EAD.

ID Numbers on request.

- **Advantages: No spring rate**
- **Disadvantages: No safety position in case of air outage**



Additional for execution EAD

SIZES

DN 25-100/1.0"-4.0"

Technical specifications on request.



SÜDMO

MISCELLANEOUS PROCESS EQUIPMENT

CONTENTS

7.1 SAMPLING VALVES

7.2 INLINE SYSTEM

7.3 SIGHT GLASSES

7.4 ANGLE TYPE STRAINERS



SÜDMO

SAMPLING VALVES

CONTENTS

7.1.2 ASEPTIC SAMPLING VALVES, KIT SYSTEM

7.1.4 ASEPTIC SAMPLING VALVES

7.1.5 HYGIENIC SAMPLING VALVES

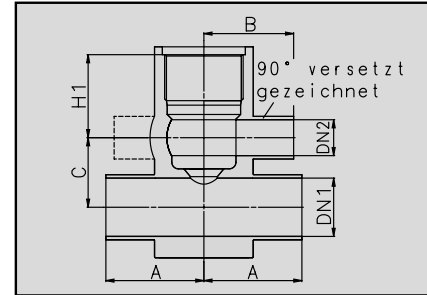
1

Housings

Sampling Housing

1.4404 (AISI 316L)

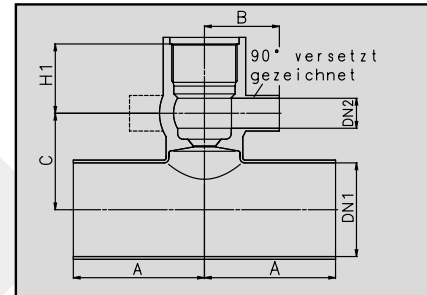
METRIC							
DN1	DN2	A	B	C	H1	ID-NO.	
10	10	35	35	27	34	2302100	
15	10	40	35	29	34	2302101	
15	15	40	40	26	37	2120385	
20	10	45	35	31	34	2107359	
20	15	45	40	28	37	2125529	
25	10	44	35	34	34	2115866	
25	15	44	40	31	37	2104808	



Cross Housing

1.4404 (AISI 316L)

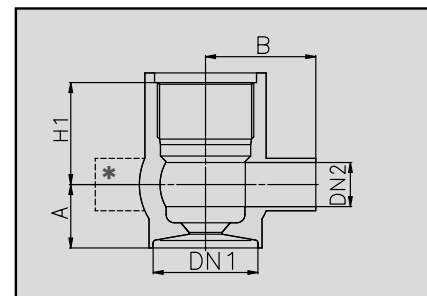
METRIC							
DN1	DN2	A	B	C	H1	ID-NO.	
40	10	60	35	48.5	34	2302102	
40	15	60	40	45.5	37	2120558	
50	10	70	35	54.5	34	2131632	
50	15	70	40	51.5	37	2119949	
65	10	80	35	63.5	34	2129381	
65	15	80	40	60	37	2302105	
80	10	90	35	71.5	34	2302103	
80	15	90	40	68.5	37	2113984	
100	10	100	35	80.0	34	2302104	
100	15	100	40	77	37	2113987	



Right Angle Housing

1.4404 (AISI 316L)

METRIC							
DN1	DN2	A	B	C	H1	ID-NO.	
10	10	26	35		34	2113514	
15	10	26	35		34	2302106	
15	15	23	40		37	2302109	
20	10	26	35		34	2302107	
20	15	23	40		37	2115645	
25	10	26	35		34	2302108	
25	15	23	40		37	2302110	
40	10	26	35		34	2129382	
40	15	23	40		37	2107540	

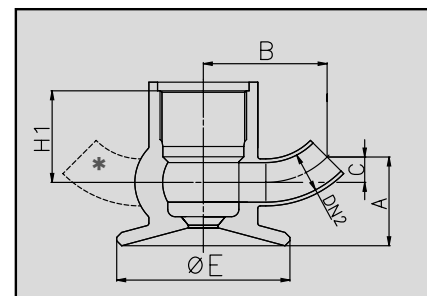


Weld-In Housing 1.4404 (AISI 316L) APZ 3.1

1.4404 (AISI 316L)

METRIC							
ØE	DN2	A	B	C	H1	ID-NO.	
70	10	36	43	7.5	34	2155628	
70	15	36	50	10.5	37	2302112	

* Second port as an option: Price see following page



7.1

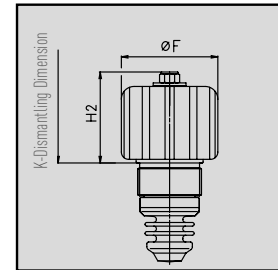


2

Actuator Inserts

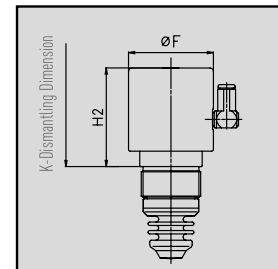
Manual Actuator incl. PTFE-Bellow

DN	H2	ØF	K	STROKE	ID-NO.
DN 10/15	50	53	120	4	2104949



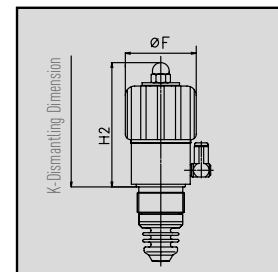
Pneumatic Actuator incl. PTFE-Bellow Air to Open-Spring to Close

DN	H2	ØF	K	STROKE	ID-NO.
DN 10/15	62	50	135	4	2100192



Pneumatic-Manual Actuator incl. PTFE-Bellow Air to Open-Spring to Close

DN	H2	ØF	K	STROKE	ID-NO.
DN 10/15	97	53	170	4	2122890



Options

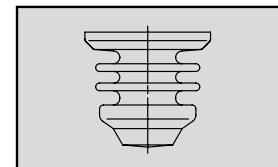
Additional Charge for Additional Sampling Port

DN
General

Spare Parts

PTFE-Bellow

DN	ID-NO.
DN 10/15	0998740



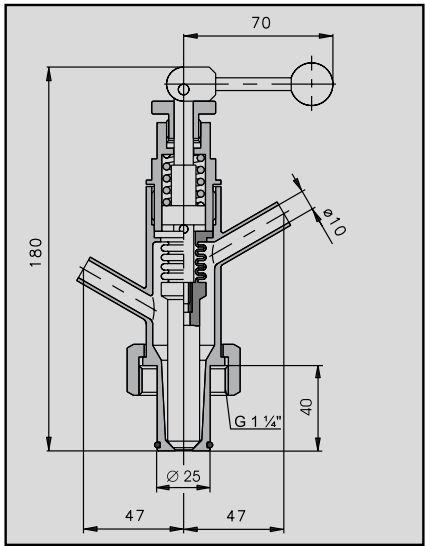
ASEPTIC SAMPLING VALVES

Aseptic Sampling Valves with PTFE-Bellow

A 907 T manual, for Ingold-Nozzle

1.4404 (AISI 316L)

METRIC		
DN	kg	ID-NO.
10	0.8	0411801

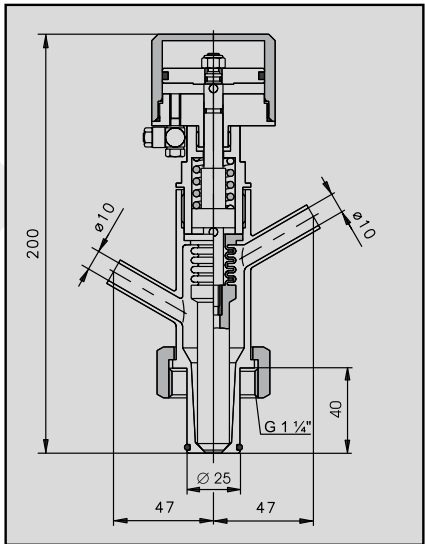


Aseptic Sampling Valves with PTFE-Bellow

A 917 T pneumatic air to open-spring to close, for Ingold-Nozzle

1.4404 (AISI 316L)

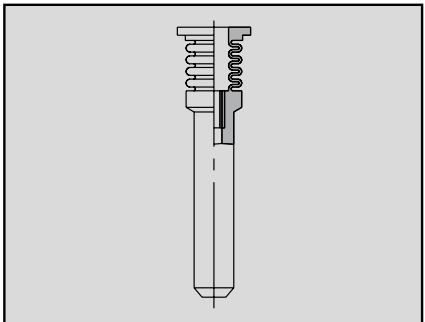
METRIC		
DN	kg	ID-NO.
10	1.5	2029431



Spare Parts

**PTFE-Bellow
X 907 T**

METRIC		
DN	kg	ID-NO.
10	0.1	0508176



7.1

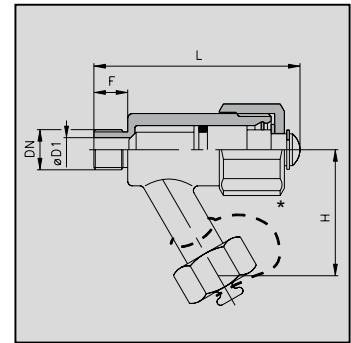


Hyg. Sampling Valves with PEEK-Piston

P 912 N with slotted crew cap and chain

1.4404 (AISI 316L)

METRIC							
DN	ØD1	ØD2	F	H	L	kg	ID-NO.*
G 1/4"	8	10	14	58	87.5	0.4	0246959
G 3/8"	10	10	14	58	87.5	0.4	0246991
G 1/2"	10	10	14	58	87.5	0.5	0247270
G 3/4"	10	10	14	58	87.5	0.5	0247288

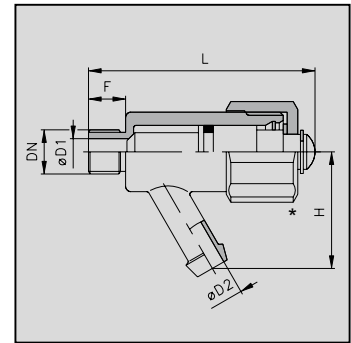


Hyg. Sampling Valves with PEEK-Piston

P 915 N with hose connection

1.4404 (AISI 316L)

METRIC							
DN	ØD1	ØD2	F	H	L	kg	ID-NO.*
G 1/4"	8	10	14	42	87.5	0.3	0549030
G 3/8"	10	10	14	42	87.5	0.3	0549048
G 1/2"	10	10	14	42	87.5	0.3	0148817
G 3/4"	10	10	14	42	87.5	0.3	0549345

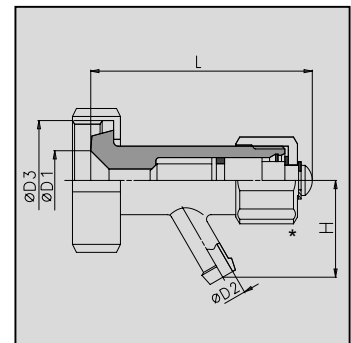


Hyg. Sampling Valves with PEEK-Piston

P 916 N with hose connection

1.4404 (AISI 316L)

METRIC							
DN	ØD1	ØD2	F	H	L	kg	ID-NO.*
25	26	10	Rd 52x1/6"	42	97	0.3	0917617

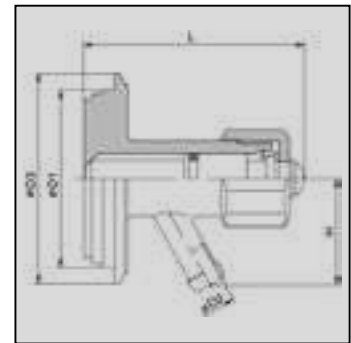


Hyg. Sampling Valves with PEEK-Piston

P 917 N with hose connection

1.4404 (AISI 316L)

METRIC							
DN	ØD1	ØD2	ØD3	H	L	kg	ID-NO.*
40-150	70,8	10	84	42	88	0.3	2307365



Options

Additional Charge for adjustment stainless steel nut

DN
General

* plastic-adjustment nut

7.1



SÜDMO

INLINE SYSTEM

CONTENTS

7.2.2 GENERAL INFORMATION AND TECHNICAL SPECIFICATION

7.2.4 INLINE SIGHT GLASSES P 842

7.2.5 INLINE HOUSINGS

7.2.6 INLINE KIT SYSTEM

7.2.8 INLINE SAMPLING VALVES

SÜDMO

INLINE SYSTEM AND SIGHT GLASSES

TECHNICAL SPECIFICATION	
Materials	Product wetted parts 1.4404 (AISI 316L)
	Optional 1.4435 (AISI 316L) Other materials on request
	Parts not product wetted 1.4301 (AISI 304), 1.4307 (AISI 304 L)
Sealing Elements	Sealing materials (FDA) EPDM Other sealing materials on request
Temperatures	Continuous operating temperature EPDM 130° C/266°F *
	Sterilization temperature EPDM 150°C/302°F * (approx. 20 min.)
Surfaces	Product wetted surfaces Ra ≤ 0,8 µm
	Surfaces not product wetted Bright-turned, Ra 1,6 µm
	Optional Product wetted surfaces e-polished, higher quality surfaces on request
Connections	Welding ends for pipes acc. to DIN 11850 series 2 (DIN 11866 series A), OD-tube (ASTM A270, DIN 11866 series C, ASME BPE-2009) and DIN EN ISO 1127 (DIN 11866 Series B)

* Depending on operating parameters

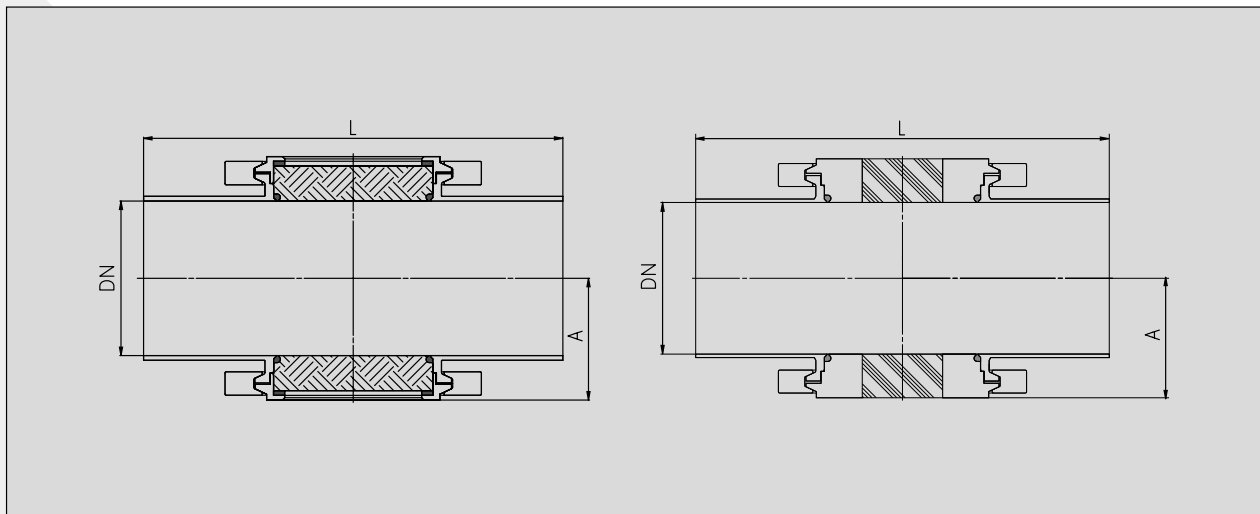
Operating Pressure	Inline sight glasses P 842 with glass-insert (Borosilicate glass)		Inline sight glasses with metal glass insert (1.4462/Borosilicate glass)		Inline sight glasses with metal glass insert PN20/25 (1.4462/Borosilicate glass)		Inline Sampling Valves P 920	
	DN	Pressure (bar/psi)		Pressure (bar/psi)		Pressure (bar/psi)		Pressure (bar/psi)
25/1"/ISO 25	10	145	10	145	25	362,5	6	87
40/1.5"	10	145	10	145	25	362,5	6	87
50/2"/ISO 40	10	145	10	145	25	362,5	6	87
65/2.5"/ISO 50	10	145	10	145	25	362,5	6	87
80/3"/ISO 65	10	145	10	145	25	362,5	6	87
100/4"/ISO 80	10	145	10	145	25	362,5	6	87
125/ISO 100	10	145	10	145	25	362,5	6	87
150/6"/ISO 125	10	145	10	145	20	290,1	6	87



SÜDMO

INLINE SYSTEM AND SIGHT GLASSES

INLINE SIGHT GLASSES P 842



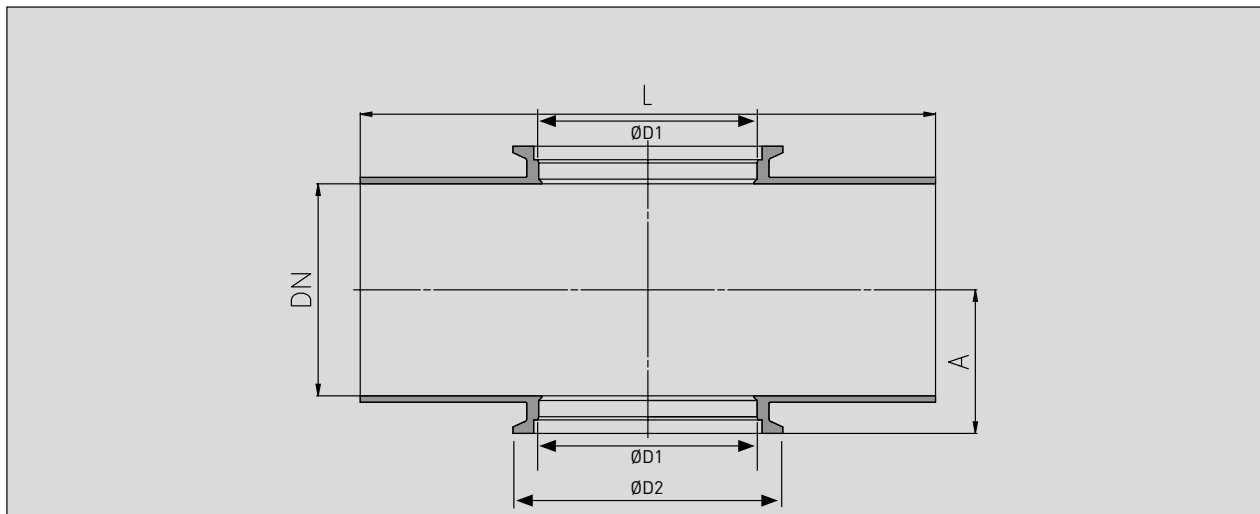
Inline Sight Glass P 842
PN10 - with glass insert (borosilicate glass), EPDM

Inline Sight Glass P 842-PN25
PN25 - with metal-glass-insert (1.4462-borosilicate glass), EPDM

METRIC					PN10		PN 20/25 *	
DN	Tube	A	L	kg	ID-No.	ID-No.	ID-No.	ID-No.
25	Ø29 x 1.5	32	180		2029442		2343336	
40	Ø41 x 1.5	38	180		2029443		2343337	
50	Ø53 x 1.5	44	180		2014548		2343338	
65	Ø70 x 2.0	52	250		2014549		2343339	
80	Ø85 x 2.0	59.5	250		2014550		2343340	
100	Ø104 x 2.0	69	250		2014551		2343341	
125	Ø129 x 2.0	81.5	250		2014552		2343342	
150	Ø154 x 2.0	94	300		2340935		2343343	
OD-TUBE					PN10		PN 20/25 *	
DN	Tube	A	L	kg	ID-No.	ID-No.	ID-No.	ID-No.
1.0"	Ø25.4 x 1.65	30	180		2902933		2343344	
1.5"	Ø38.1 x 1.65	36.5	180		2902934		2343345	
2.0"	Ø50.8 x 1.65	43	180		2902935		2343346	
2.5"	Ø63.5 x 1.65	49	250		2902936		2343347	
3.0"	Ø76.2 x 1.65	55.5	250		2902937		2343348	
4.0"	Ø101.6 x 2.11	68	250		2340936		2343349	
6.0"	Ø152.4 x 2.77	93.5	300		2343359		2343351	
ISO					PN10		PN 20/25 *	
DN	Tube	A	L	kg	ID-No.	ID-No.	ID-No.	ID-No.
25	Ø33.7 x 2.0	34	180		2917731		2343352	
40	Ø48.3 x 2.0	41	180		2140456		2343353	
50	Ø60.3 x 2.0	47	250		2140530		2343354	
65	Ø76.1 x 2.0	55.5	250		2343360		2343355	
80	Ø88.9 x 2.3	61	250		2916197		2343356	
100	Ø114.3 x 2.3	74	250		2343361		2343357	
125	Ø139.7 x 2.6	86.5	300		2343362		2343358	

*Sizes DN150, OD6" and ISO 125: PN20





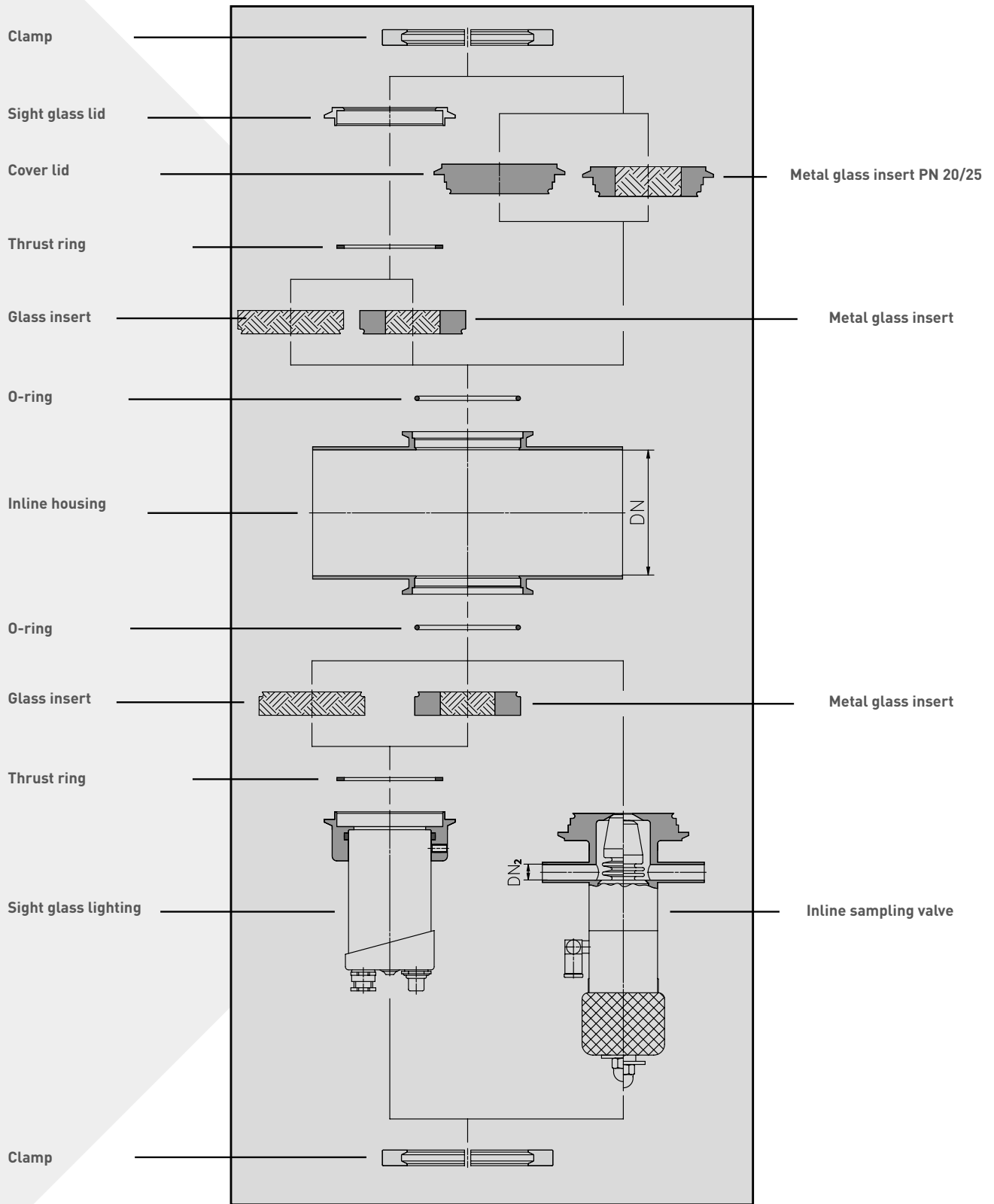
Inline Housing

METRIC							
DN	Tube	A	L	D1	D2	kg	ID-No.
25	Ø29 x 1.5	24.7	180	50	66		2117267
40	Ø41 x 1.5	30.7	180	68	84		2117326
50	Ø53 x 1.5	36.7	180	68	84		2117269
65	Ø70 x 2.0	44.7	250	68	84		2117346
80	Ø85 x 2.0	52.2	250	68	84		2117228
100	Ø104 x 2.0	61.7	250	68	84		2117349
125	Ø129 x 2.0	74.2	250	68	84		2121429
150	Ø154 x 2.0	86.7	300	68	84		2121931

OD-TUBE							
DN	Tube	A	L	D1	D2	kg	ID-No.
1.0"	Ø25.4 x 1.65	22.7	180	50	66		2117224
1.5"	Ø38.1 x 1.65	29.1	180	68	84		2121633
2.0"	Ø50.8 x 1.65	35.6	180	68	84		2117231
2.5"	Ø63.5 x 1.65	42.0	250	68	84		2120969
3.0"	Ø76.2 x 1.65	48.1	250	68	84		2117227
4.0"	Ø101.6 x 2.11	60.5	250	68	84		2117502
6.0"	Ø152.4 x 2.77	85.9	300	68	84		2142892

ISO							
DN	Tube	A	L	D1	D2	kg	ID-No.
25	Ø33.7 x 2.0	26.6	180	50	66		2152949
40	Ø48.3 x 2.0	33.9	180	68	84		2124635
50	Ø60.3 x 2.0	39.9	250	68	84		2124639
65	Ø76.1 x 2.0	47.8	250	68	84		2142890
80	Ø88.9 x 2.3	53.9	250	68	84		2140567
100	Ø114.3 x 2.3	66.6	250	68	84		2142889
125	Ø139.7 x 2.6	79.0	300	68	84		2142891

INLINE KIT SYSTEM



7.2



Inline Kit System

Clamp

SIZES	ID-NO.
25 / 1.0" / ISO 25	2117243
40-150 / 1.5" - 6.0" / ISO 40-125	2117244

Sight-Glass-Lid

SIZES	ID-NO.
25 / 1.0" / ISO 25	2117487
40-150 / 1.5" - 6.0" / ISO 40-125	2117488

Cover-Lid

SIZES	ID-NO.
25 / 1.0" / ISO 25	2125062
40-150 / 1.5" - 6.0" / ISO 40-125	2117408

Thrust-Ring

SIZES	ID-NO.
25 / 1.0" / ISO 25	0613596
40-150 / 1.5" - 6.0" / ISO 40-125	2117981

Glass-Insert / Glaseinsatz
Borosilicate glass

SIZES	ID-NO.
25 / 1.0" / ISO 25	2029444
40-150 / 1.5" - 6.0" / ISO 40-125	2029445

Metal-Glass-Insert
Material:
1.4462 - Borosilicate glass

Metal-Glass-Insert PN20/25

SIZES	ID-NO.	SIZES	ID-NO.
25 / 1.0" / ISO 25	2342831	25 / 1.0" / ISO 25	2125005
40-150 / 1.5" - 6.0" / ISO 40-125	2342830	40-150 / 1.5" - 6.0" / ISO 40-125	2125004

O-Ring

Material: EPDM		Material: HNBR		Material: FKM	
SIZES	ID-NO.	ID-NO.	ID-NO.	ID-NO.	ID-NO.
25 / 1.0" / ISO 25	2105247	2130821	0117390	0117390	0117390
40-150 / 1.5" - 6.0" / ISO 40-125	0995795	2121358	2128520	2128520	2128520

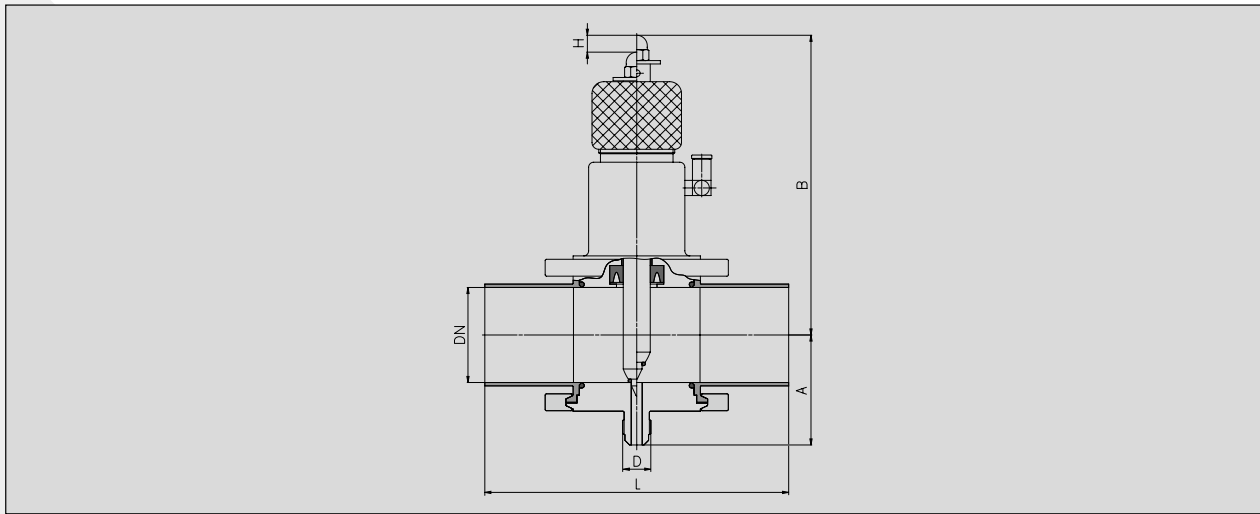
Sight Glass-Lighting

SIZES	DISMANTLING DIMENSION	ID-NO.
25 / 1.0" / ISO 25	o.r.	2917570
40-150 / 1.5" - 6.0" / ISO 40-125	112	2112280

Inline Sampling Valve

SIZES	DN ₂	DISMANTLING DIMENSION	ID-NO.
25 / 1.0" / ISO 25	10	165	o.r.
40-150 / 1.5" - 6.0" / ISO 40-125	10	165	2025330
25 / 1.0" / ISO 25	15	165	o.r.
40-150 / 1.5" - 6.0" / ISO 40-125	15	165	2127803

INLINE SAMPLING VALVES



Inline Entnahmeventile P 920

METRIC								ID-NO.	PRICE / PREIS
DN	Tube	A	B	D	L	H	kg	ID-No.	
25	Ø29 x 1.5	24.7	163	G 3/8"	180	10		2028291	
40	Ø41 x 1.5	30.7	169	G 3/8"	180	10		2340909	
50	Ø53 x 1.5	36.7	175	G 3/8"	180	10		2028292	
65	Ø70 x 2.0	44.7	183	G 3/8"	250	10		2022793	
80	Ø85 x 2.0	52.2	191	G 3/8"	250	10		2028266	
100	Ø104 x 2.0	61.7	200	G 3/8"	250	10		2027998	
125	Ø129 x 2.0	74.2	213	G 3/8"	250	10		2023744	
150	Ø154 x 2.0	86.7	225	G 3/8"	300	10		2340910	

OD-TUBE								ID-NO.	PRICE / PREIS
DN	Tube	A	B	D	L	H	kg	ID-No.	
1.0"	Ø25.4 x 1.65	22.7	161	G 3/8"	180	10		2028263	
1.5"	Ø38.1 x 1.65	29.1	168	G 3/8"	180	10		2340911	
2.0"	Ø50.8 x 1.65	35.6	174	G 3/8"	180	10		2028264	
2.5"	Ø63.5 x 1.65	42.0	182	G 3/8"	250	10		2027465	
3.0"	Ø76.2 x 1.65	48.1	187	G 3/8"	250	10		2028265	
4.0"	Ø101.6 x 2.11	60.5	199	G 3/8"	250	10		2027462	
6.0"	Ø152.4 x 2.77				on request			o.r.	



SÜDMO

SIGHT GLASSES

CONTENTS

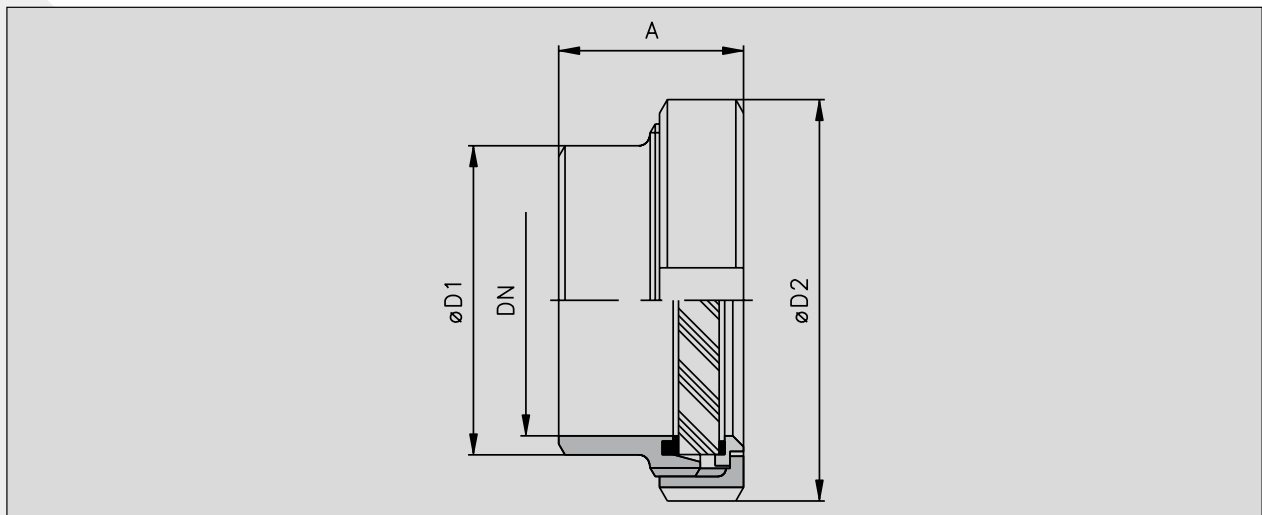
7.3.2 SIGHT GLASSES P 835-840

7.3.4 P 835-840 ACCESSORIES AND SPARE PARTS

7.3.6 SIGHT GLASSES P 810-817

7.3.8 P 810-817 ACCESSORIES AND SPARE PARTS

SLIGHT GLASSES P 835-840



Sight Glasses P 835, Welding End

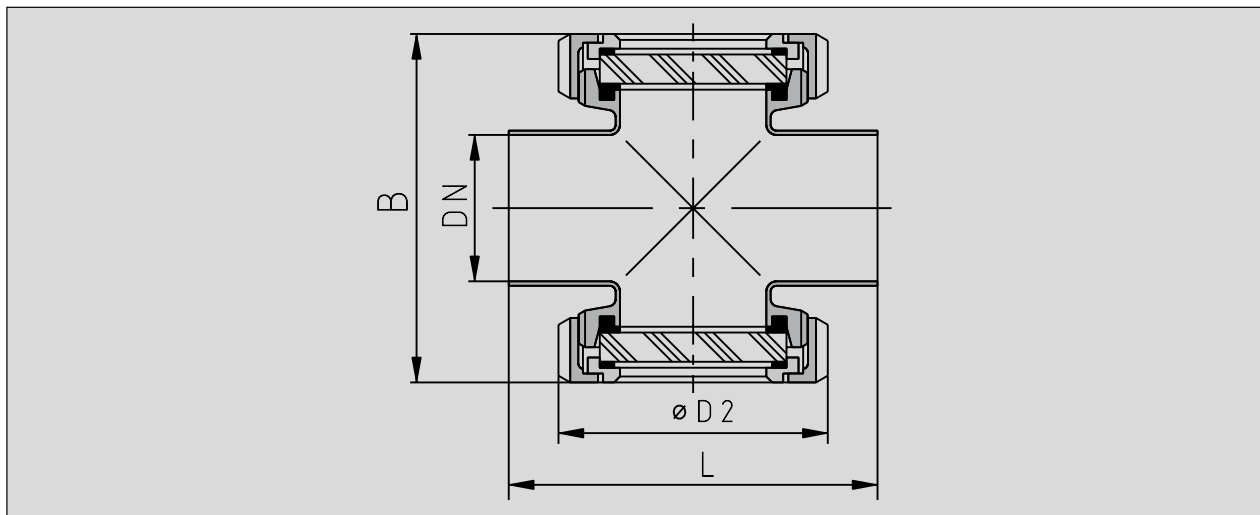
Sight Glass (EPDM) P 835 with sodium glass

METRIC				1.4404 (AISI 316L)
DN	A	ØD1	ØD2	ID-NO.
25	36	35	63	0870360
32	43	41	70	0722058
40	44	48	78	0872770
50	46	61	92	0815753
65	51	79	112	0101550
80	56	93	127	0831297
100	69	114	148	0840256
125	65	135	178	2011251
150	70	160	210	0100610

Sight Glass (EPDM) P 835 with borosilicate glass

METRIC				1.4404 (AISI 316L) APZ 3.1
DN	A	ØD1	ØD2	ID-NO.
25	36	35	63	0252148
32	43	41	70	0413070
40	44	48	78	0893735
50	46	61	92	0299529
65	51	79	112	0920645
80	56	93	127	0052589
100	69	114	148	0409250
125	65	135	178	0280958
150	70	160	210	0683755





Sight Glasses P 840, 2 x Welding Ends

Sight Glass (EPDM)
P 840 with sodium glass

METRIC					1.4404 (AISI 316L)	
DN	Tube	B	L	ØD2	ID-NO.	
25	Ø29 X 1.5	83	85	63	0150334	273,00 €
32	Ø35 X 1.5	98	96	70	2131171	299,00 €
40	Ø41 X 1.5	106	116	78	2010143	321,00 €
50	Ø53 X 1.5	118	126	92	0547307	373,00 €
65	Ø70 X 2.0	148	170	112	2027395	461,00 €
80	Ø85 X 2.0	168	196	127	0547331	653,00 €
100	Ø104 X 2.0	208	300	148	0062554	841,00 €

Sight Glass (EPDM)
P 840 with borosilicate glass

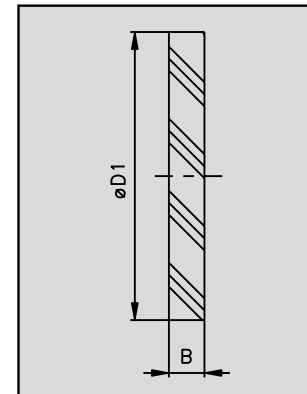
METRIC					1.4404 (AISI 316L)	
DN	Tube	B	L	ØD2	ID-NO.	
25	Ø29 X 1.5	83	85	63	0556001	294,00 €
32	Ø35 X 1.5	98	96	70	0919332	331,00 €
40	Ø41 X 1.5	106	116	78	0406553	385,00 €
50	Ø53 X 1.5	118	126	92	0357038	414,00 €
65	Ø70 X 2.0	148	170	112	0088963	526,00 €
80	Ø85 X 2.0	168	196	127	2001855	716,00 €
100	Ø104 X 2.0	208	300	148	2019635	921,00 €

P 835-840 ACCESSORIES AND SPARE PARTS

Spare Glass

for P 835/P 840 Natron glass

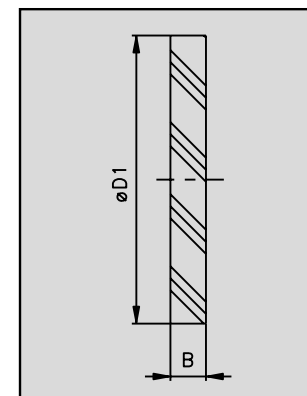
METRIC			ID-NO.
DN	B	ØD1	
25	6	35	0634568
32	10	45	0634576
40	10	50	0634584
50	10	63	0634592
65	10	80	0634600
80	10	93	0634618
100	15	113	0634626
125	19	140	0634634
150	19	165	0634642



Spare Glass

for P 835/P 840 Borosilicate glass

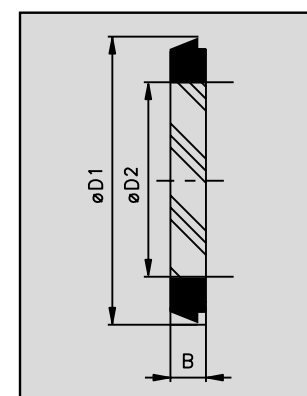
METRIC			ID-NO.
DN	B	ØD1	
25	6	35	0068130
32	10	45	0068148
40	10	50	0068155
50	10	63	0068163
65	10	80	0068098
80	10	93	0068171
100	15	113	0744862
125	19	140	0068189
150	19	165	0068197

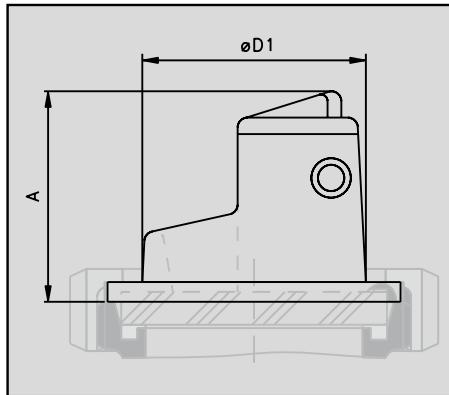


Metal-Glass-Insert

for P 835/P 840 Borosilicate glass

				1.4404 (AISI 316L) APZ 3.1
METRIC			ID-NO.	
DN	B	ØD1	ØD2	
50	10	63	35	2025828
65	10	80	45	2025829
80	10	93	50	2131064
100	15	113	60	2300988
125	19	140	60	2300989

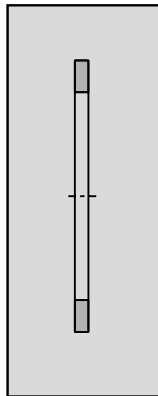




Sight Glass-Lighting

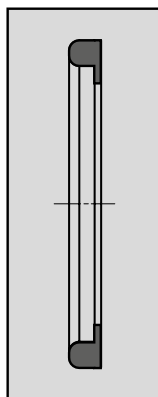
P 838 24 V - IP 65

METRIC			ALUMINIUM
DN	A	$\varnothing D1$	ID-NO.
65	70	78	0285155
80	90	92	0854091
100	99	113	0068213
125	104	136	0068221



Thrust-Ring for P 835/P 840

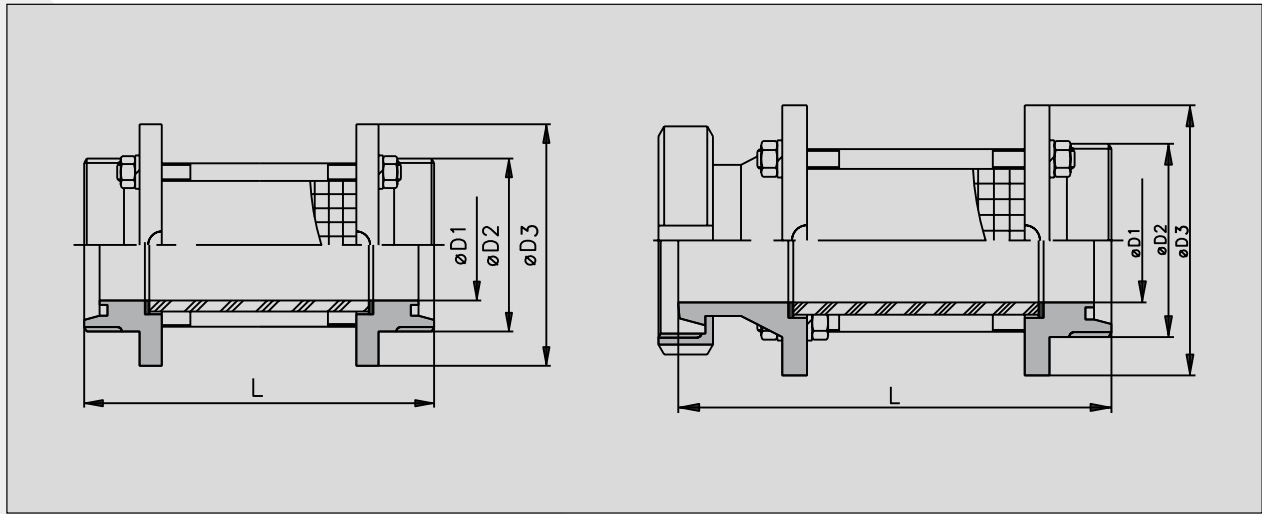
METRIC	ID-NO.	
DN		
25	0613570	1,10 €
32	0613588	1,40 €
40	0613596	1,50 €
50	0613604	1,80 €
65	0613612	2,20 €
80	0613620	2,40 €
100	0613646	3,50 €
125	0613653	4,20 €
150	0613661	6,20 €



Seal Ring with Collar

EPDM		FKM	VMQ	NBR
METRIC	ID-NO.	ID-NO.	ID-NO.	ID-NO.
25	0142281	0146548	0146670	0146803
32	0142299	0146555	0146688	0146811
40	0142307	0146563	0146696	0146829
50	0142315	0146571	0146704	0146837
65	0142323	0146589	0146712	0146845
80	0142331	0146597	0146720	0146852
100	0142356	0146613	0146746	0146878
125	0142364	0146621	0146753	0146886
150	0146506	0146639	0146761	0146894

SIGHT GLASSES P 810 - 817



Sight Glasses P 810, 2 x Male

Sight Glasses P 811, Male/Slotted Nut and Liner

Sight Glass (EPDM) P 810 with borosilicate glass

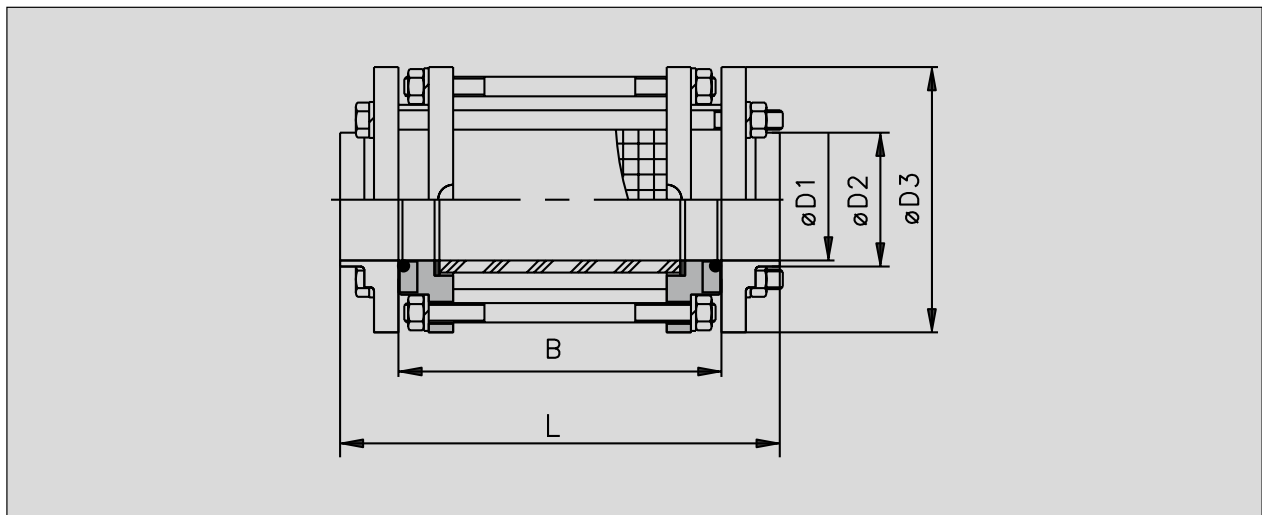
					1.4404 (AISI 316L)
METRIC	ØD1	ØD2	ØD3	L	ID-NO.
DN 10	10	Rd 28 x 1/8"	45	86	2340924
15	16	Rd 34 x 1/8"	50	104	0243410
20	20	Rd 44 x 1/6"	65	114	2340925
25	26	Rd 52 x 1/6"	84	114	2125878
32	32	Rd 58 x 1/6"	90	125	2340926
40	38	Rd 65 x 1/6"	96	135	2340927
50	50	Rd 78 x 1/6"	109	159	2340928
65	66	Rd 95 x 1/6"	126	179	2024864
80	81	Rd 110 x 1/4"	141	247	0686030
100	100	Rd 130 x 1/4"	161	233	2340929

Sight Glass (EPDM) P 811 with borosilicate glass

					1.4404 (AISI 316L)
METRIC	ØD1	ØD2	ØD3	L	ID-NO.
DN 10	10	Rd 28 x 1/8"	45	82	2340919
15	16	Rd 34 x 1/8"	50	100	2340920
20	20	Rd 44 x 1/6"	65	120	2340921
25	26	Rd 52 x 1/6"	84	128	0343111
32	32	Rd 58 x 1/6"	90	139	0360032
40	38	Rd 65 x 1/6"	96	149	2018344
50	50	Rd 78 x 1/6"	109	176	2118376
65	66	Rd 95 x 1/6"	126	199	2340922
80	81	Rd 110 x 1/4"	141	272	2022834
100	100	Rd 130 x 1/4"	161	258	2340923

Attention: Splinter protecton is not included in P 810, P 811, P 817, please order separately!





Sight Glasses P 817, Sandwich Style between Small Flanges (Wafer Type)

Sight Glass (EPDM) P 817 with borosilicate glass

1.4404 (AISI 316L)

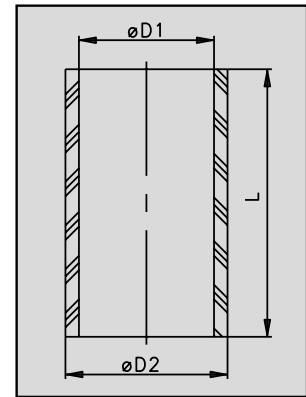
METRIC						ID-NO.
DN	A	ØD1	ØD2	ØD3	L	
25	93	26	29	84	141	2340915
32	104	32	35	90	152	2340916
40	114	38	41	96	162	2011038
50	134	50	53	109	182	2340917
65	149	66	70	126	197	2901884
80	215	81	85	141	163	2026458
100	201	100	104	161	249	2340918

Attention: Splinter protecton is not included in P 810, P 811, P 817, please order separately!
Achtung: Splitterschutz nicht im Lieferumfang P 810, P 811, P 817 enthalten, bitte separat bestellen!

Spare Glass

for P 810/P 811/P 817 Borosilicate glass

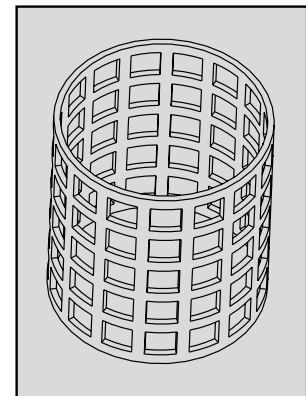
METRIC				ID-NO.
DN	ØD1	ØD2	L	
10	11	16	33	0634667
15	19	24	50	0634675
20	22	28	55	0634683
25	30	40	57	0634691
32	35	45	68	0634709
40	40	50	78	0634717
50	50	60	99	0634725
65	65	75	110	0634733
80	80	90	170	0634741
100	100	110	155	0634758



Splinter Protection

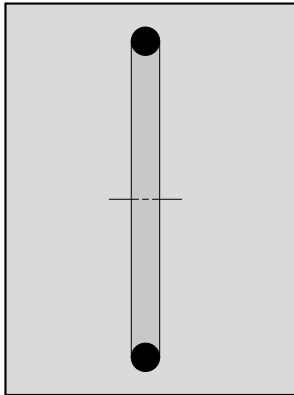
for P 810/P 811/P 817 817

1.4404 (AISI 316L)	
METRIC	ID-NO.
DN	
10	0635078
15	0635060
20	0635052
25	0635045
32	0635037
40	0635029
50	0635011
65	0635003
80	0634998
100	0634980



Attention: Splinter protection is not included in P 810, P 811, P 817, please order separately!

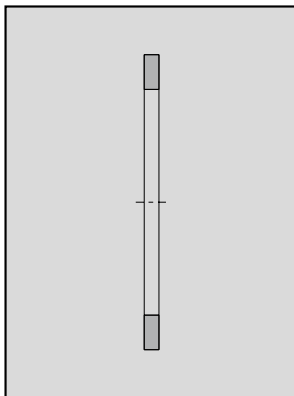




O-Ring

for P 817

METRIC	EPDM	FKM
	ID-NO.	ID-NO.
25	2912862	2101377
32	2912863	2101376
40	2912864	2101375
50	2912865	2101374
65	2912866	2101373
80	2912867	2101372
100	2912868	2101371



Seal

Z 810 for P 810/P 811/P 817

METRIC	EPDM	FKM
	ID-NO.	ID-NO.
10	0761031	0743575
15	0509125	0743633
20	0509133	0743666
25	2913879	0743708
32	0768168	0743757
40	0509257	0743781
50	0509273	0355172
65	0057158	0743906
80	0509281	0743948
100	0037606	0127316



SÜDMO

ANGLE TYPE STRAINERS

CONTENTS

7.4.2 ANGLE TYPE STRAINERS

7.4.3 ANGLE TYPE STRAINER ACCESSORIES AND SPARE PARTS

ANGLE TYPE STRAINERS

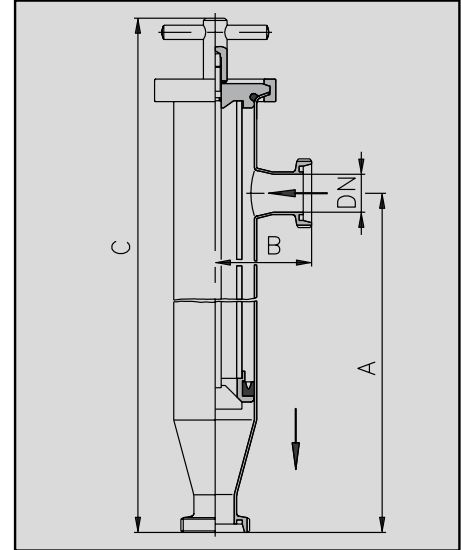
Angle Type Strainers, Model 93, Connections according to DIN 11851

P 860 A with strainer tube 0.5mm

METRIC				1.4404 (AISI 316 L)
DN	A	B	C	ID-NO.
25	413	89	561	2901911
32	404	80	552	2901912
40	395	71	543	2901913
50	417	119	589	2901914
65	393	95	565	2901915
80	573	160	777	2901916
100	546	134	750	2901917

P 860 B with strainer tube 1.0mm

METRIC				1.4404 (AISI 316 L)
DN	A	B	C	ID-NO.
25	413	89	561	2901918
32	404	80	552	2901919
40	395	71	543	2901920
50	417	119	589	2901921
65	393	95	565	2020423
80	573	160	777	2901922
100	546	134	750	2901923



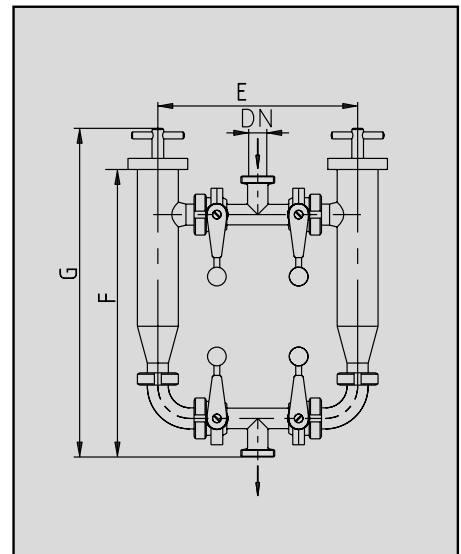
Angle Type Strainer Combination, Connections according to DIN 11851

P 862 A with strainer tube 0.5mm

METRIC				1.4404 (AISI 316 L)
DN	A	B	C	ID-NO.
25	305	530	570	2901931
32	320	500	525	2901972
40	365	570	600	2901973
50	420	540	590	2901974
65	455	610	650	2901975
80	555	690	710	2901976
100	560	710	775	2901977

P 862 B with strainer tube 1.0mm

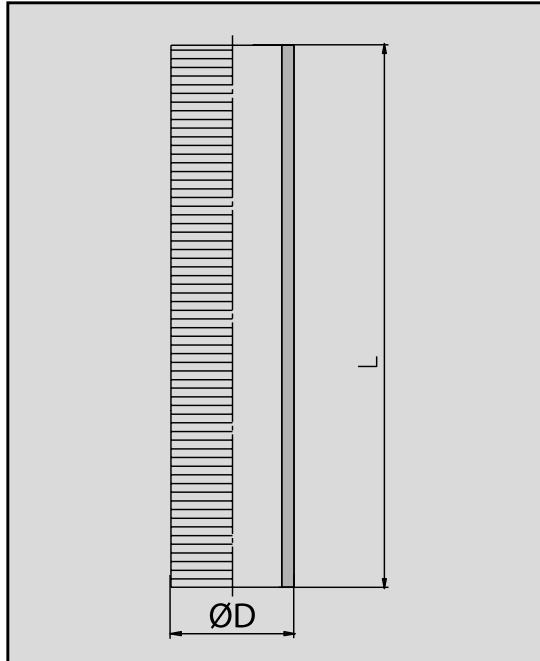
METRIC				1.4404 (AISI 316 L)
DN	A	B	C	ID-NO.
25	305	530	570	2901924
32	320	500	525	2901925
40	365	570	600	2901926
50	420	540	590	2901927
65	455	610	650	2901928
80	555	690	710	2901929
100	560	710	775	2901930



Slotted Strainer Tube

for P 860 / P 862

P 861 A strainer tube 0.5mm



METRIC		1.4404 (AISI 316 L)	
DN	ØD	L	ID-NO.
25	45	353	0396655
32	45	353	0396655
40	45	353	0396655
50	70	350	0396705
65	70	350	0396705
80	110	470	0968743
100	110	470	0968743

P 861 B strainer tube 1.0mm

METRIC		1.4404 (AISI 316 L)	
DN	ØD	L	ID-NO.
25	45	353	0396663
32	45	353	0396663
40	45	353	0396663
50	70	350	0396713
65	70	350	0396713
80	110	470	0968735
100	110	470	0968735



SÜDMO

TANK AND SAFETY VALVES

CONTENTS

8.1 VACUUM AND SAFETY VALVES



SÜDMO

VACUUM AND SAFETY VALVES

CONTENTS

8.1.2 VACUUM VALVES

8.1.3 HYGIENIC SAFETY VALVES

VACUUM VALVES

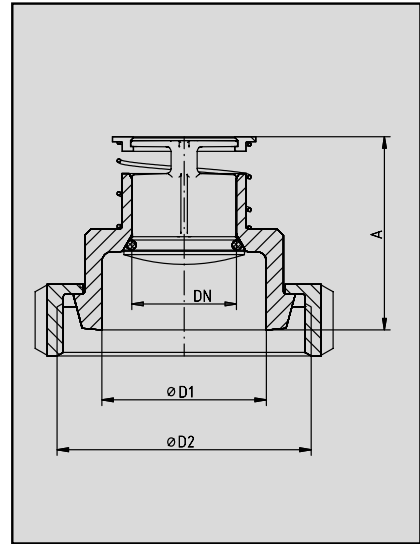
Vacuum Valve T 791

Spring-loaded (for all fitting positions)

Permissible temp.: 40°C/104°F, w. stainless steel valve cone available for higher temp.

Connections according to DIN 11851

1.4301 (AISI 304)					
METRIC					
DN	A	ØD1	ØD2	kg	ID-NO.
25	61	38	Rd 65 x 1/6"	0.5	0873554
32	61	50	Rd 78 x 1/6"	0.8	0606061
40	69	50	Rd 78 x 1/6"	1.0	0277046
50	83	66	Rd 95 x 1/6"	1.8	0751370
65	106	81	Rd 110 x 1/4"	2.3	0836700
80	230	100	Rd 130 x 1/4"	5.5	0899385



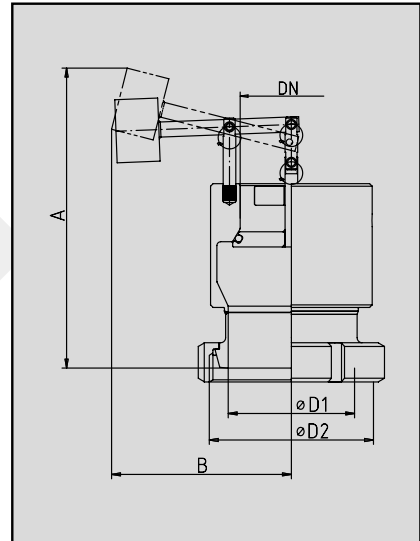
Vacuum Valve T 792

Weight-loaded (for vertical installation only)

Permissible temp.: 40°C/104°F, w. stainless steel valve cone available for higher temp.

Connections according to DIN 11851

1.4301 (AISI 304)					
METRIC					
DN	A	B	ØD1	ØD2	kg
25	85	70	38	Rd 65 x 1/6"	0.7
32	95	70	50	Rd 78 x 1/6"	1.0
40	105	80	50	Rd 78 x 1/6"	1.2
50	130	90	66	Rd 95 x 1/6"	1.9
65	140	105	81	Rd 110 x 1/4"	2.8
80	218	135	100	Rd 130 x 1/4"	6.7



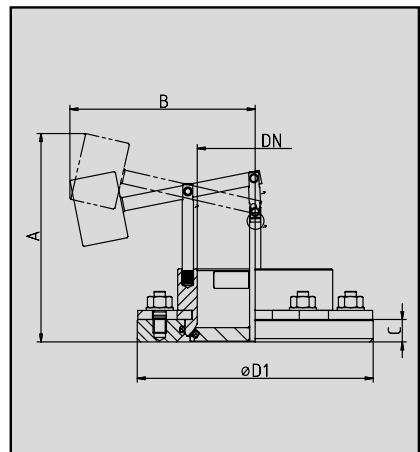
Vacuum Valve T 793

Weight-loaded (for vertical installation only)

Cont. operating temperature: 120°C/250°F (dep. on operating parameters)

Sterilization temperature: 140°C/285°F (dep. on operating parameters)

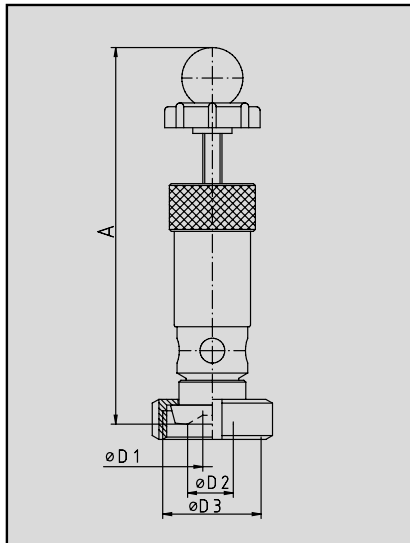
1.4301 (AISI 304)					
METRIC					
DN	A	B	C	ØD1	kg
100	188	165	20	210	5.0
150	220	285	20	260	12.2
200	265	370	20	310	50.4



Certificates not included, please order separately.

8.1



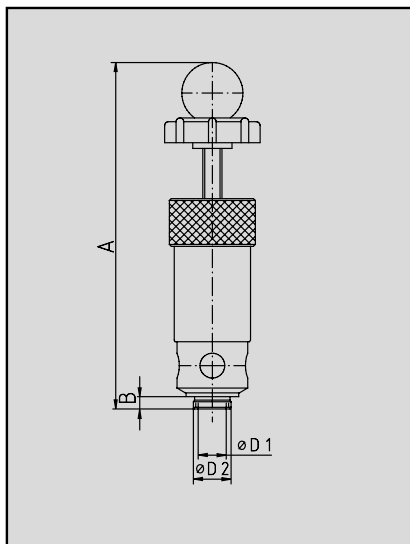


Hyg. Safety Valve with Manual Lifting (EPDM) T 763 D

Spring-loaded, for steams/gases, TÜV tested
 Cont. operating temperature: 120°C/250°F (dep. on operating parameters)
 Sterilization temperature: 140°C/285°F (dep. on operating parameters)
 Connections according to DIN 11851

							1.4301 (AISI 304)
METRIC							ID-NO.
DN	A	ØD1	ØD2	ØD3	bar ₁	kg	
15	180	15	26	Rd 52x1/6"	0.5 - 5	0.8	2901863
25	185	25	38	Rd 65x1/6"	0.5 - 4	1.7	2901864

Please specify relief pressure and fitting position when ordering



Hyg. Safety Valve with Manual Lifting (EPDM) T 764 D

Spring-loaded, for steams/gases, TÜV tested
 Cont. operating temperature: 120°C/250°F (dep. on operating parameters)
 Sterilization temperature: 140°C/285°F (dep. on operating parameters)

							1.4301 (AISI 304)
METRIC							ID-NO.
DN	A	ØD1	ØD2	B	bar ¹	kg	
15	185	12	15	G 1/2"	0.5 - 5	0.8	2901865
25	185	15	25	G 1.0"	0.5 - 4	1.6	2901866

Please specify relief pressure and fitting position when ordering

Certificates not included, please order separately.

HYGIENIC SAFETY VALVES

Hyg. Safety Valve with Manual Lifting (EPDM) T 735

Spring-loaded, for liquids and steams/gases, TÜV tested
Cont. operating temperature: 120°C/250°F (dep. on operating parameters)
Sterilization temperature: 140°C/285°F (dep. on operating parameters)
Connections according to DIN 11851

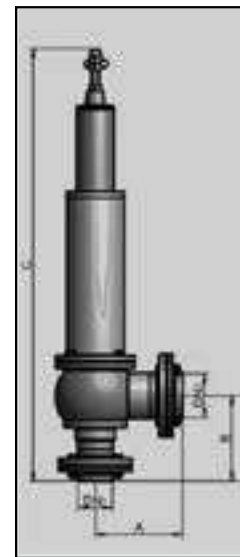


DN ₁ Inlet		DN ₂ Outlet			Pressure Range [bar] ¹		1.4404 (AISI 316L)		
DN	DIN11851	DN	DIN11851	A	B	C	LIQUIDS	STEAMS/GASES	ID-NO.
25	Rd 52 x 1/6"	40	Rd 65 x 1/6"	82	82	447	0,5 - 10,0	0,5 - 8,0	2307501
40	Rd 65 x 1/6"	50	Rd 78 x 1/6"	93	96	576	0,5 - 10,0	0,5 - 8,0	2307502
50	Rd 78 x 1/6"	65	Rd 95 x 1/6"	105	108	633	0,6 - 10,0	0,6 - 8,0	2307503
65	Rd 95 x 1/6"	80	Rd 110 x 1/4"	115	122	757	0,5 - 10,0	0,5 - 10,0	2307504
80	Rd 110 x 1/4"	100	Rd 130 x 1/4"	130	142	840	0,5 - 10,0	0,5 - 10,0	2307505
100	Rd 130 x 1/4"	125	Rd 160 x 1/4"	191	187	964	0,5 - 3,5	0,5 - 3,5	o.r.

Please specify relief pressure and fitting position when ordering

Hyg. Safety Valve with Manual Lifting (EPDM) T 735 - V140

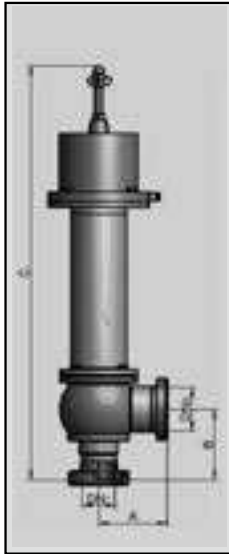
Spring-loaded, for liquids and steams/gases, TÜV tested
Cont. operating temperature: 120°C/250°F (dep. on operating parameters)
Sterilization temperature: 140°C/285°F (dep. on operating parameters)
Connections with Small Flange Connection V140



DN ₁ Inlet		DN ₂ Outlet			Pressure Range [bar] ¹		1.4404 (AISI 316L)		
DN	DIN11851	DN	DIN11851	A	B	C	LIQUIDS	STEAMS/GASES	ID-NO.
25	Ø29 x 1.5	40	Ø41 x 1.5	110	110	475	0,5 - 10,0	0,5 - 8,0	2306760
40	Ø41 x 1.5	50	Ø53 x 1.5	120	120	600	0,5 - 10,0	0,5 - 8,0	2306761
50	Ø53 x 1.5	65	Ø70 x 2.0	130	130	655	0,6 - 10,0	0,6 - 8,0	2306762
65	Ø70 x 2.0	80	Ø85 x 2.0	140	140	775	0,5 - 10,0	0,5 - 10,0	2306763
80	Ø85 x 2.0	100	Ø104 x 2.0	155	155	853	0,5 - 10,0	0,5 - 10,0	2306764
100	Ø104 x 2.0	125	Ø129 x 2.0	206	203	970	0,5 - 3,5	0,5 - 3,5	o.r.

Please specify relief pressure and fitting position when ordering





Hyg. Safety Valve with Pneum. Lifting (EPDM) T 736

Spring-loaded, for liquids and steams/gases, TÜV tested
 Cont. operating temperature: 120°C/250°F (dep. on operating parameters)
 Sterilization temperature: 140°C/285°F (dep. on operating parameters)
 Connections according to DIN 11851

DN, Inlet		DN, Outlet					Pressure Range [bar]1		1.4404 (AISI 316L)
DN	DIN11851	DN	DIN11851	A	B	C	LIQUIDS	STEAMS/GASES	ID-NO.
25	Rd 52 x 1/6"	40	Rd 65 x 1/6"	82	82	447	0,5 - 10,0	0,5 - 8,0	2307506
40	Rd 65 x 1/6"	50	Rd 78 x 1/6"	93	96	576	0,5 - 10,0	0,5 - 8,0	2307507
50	Rd 78 x 1/6"	65	Rd 95 x 1/6"	105	108	633	0,6 - 10,0	0,6 - 8,0	2307508
65	Rd 95 x 1/6"	80	Rd 110 x 1/4"	115	122	757	0,5 - 10,0	0,5 - 10,0	2307509
80	Rd 110 x 1/4"	100	Rd 130 x 1/4"	130	142	840	0,5 - 10,0	0,5 - 10,0	2307510
100	Rd 130 x 1/4"	125	Rd 160 x 1/4"	191	187	964	0,5 - 3,5	0,5 - 3,5	o.r.

Please specify relief pressure and fitting position when ordering



Hyg. Safety Valve with Pneum. Lifting (EPDM) T 736 - V140

Spring-loaded, for liquids and steams/gases, TÜV tested
 Cont. operating temperature: 120°C/250°F (dep. on operating parameters)
 Sterilization temperature: 140°C/285°F (dep. on operating parameters)
 Connections with Small Flange Connection V140

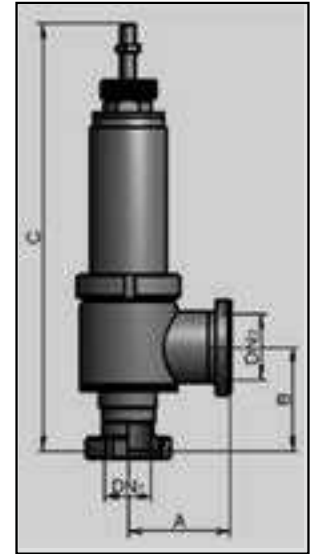
DN, Inlet		DN, Outlet					Pressure Range [bar]1		1.4404 (AISI 316L)
DN	DIN11851	DN	DIN11851	A	B	C	LIQUIDS	STEAMS/GASES	ID-NO.
25	Ø29 x 1.5	40	Ø41 x 1.5	110	110	475	0,5 - 10,0	0,5 - 8,0	2306765
40	Ø41 x 1.5	50	Ø53 x 1.5	120	120	600	0,5 - 10,0	0,5 - 8,0	2306766
50	Ø53 x 1.5	65	Ø70 x 2.0	130	130	655	0,6 - 10,0	0,6 - 8,0	2306767
65	Ø70 x 2.0	80	Ø85 x 2.0	140	140	775	0,5 - 10,0	0,5 - 10,0	2306768
80	Ø85 x 2.0	100	Ø104 x 2.0	155	155	853	0,5 - 10,0	0,5 - 10,0	2306769
100	Ø104 x 2.0	125	Ø129 x 2.0	206	203	970	0,5 - 3,5	0,5 - 3,5	o.r.

Please specify relief pressure and fitting position when ordering

8.1

Hyg. Safety Valve with Manual Lifting (EPDM) T 730

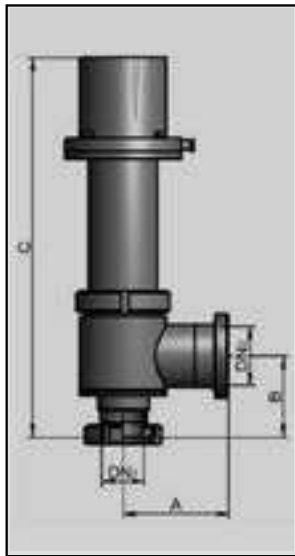
Spring-loaded, for liquids and steams/gases, TÜV tested
 Cont. operating temperature: 120°C/250°F (dep. on operating parameters)
 Sterilization temperature: 140°C/285°F (dep. on operating parameters)
 Connections according to DIN 11851



DN ₁ Inlet		DN ₂ Outlet					Pressure Range [bar]1		1.4301 (AISI 304)
DN	DIN11851	DN	DIN11851	A	B	C	LIQUIDS	STEAMS/GASES	ID-NO.
25	Rd 52 x 1/6"	40	Rd 65 x 1/6"	70	60	320	2,0 - 12,0	0,7 - 12,0	2306770
40	Rd 65 x 1/6"	50	Rd 78 x 1/6"	85	75	385	1,0 - 9,0	0,5 - 8,0	2306771
50	Rd 78 x 1/6"	65	Rd 95 x 1/6"	110	105	450	0,5 - 8,0	0,5 - 7,0	2306772
65	Rd 95 x 1/6"	80	Rd 110 x 1/4"	130	135	555	0,5 - 5,0	0,6 - 3,5	2306773
80	Rd 110 x 1/4"	100	Rd 130 x 1/4"	160	160	710	0,5 - 5,0	0,5 - 3,1	2306774
100	Rd 130 x 1/4"	125	Rd 160 x 1/4"	185	185	810	0,5 - 5,0	0,5 - 3,5	2307499

Please specify relief pressure and fitting position when ordering





Hyg. Safety Valve with Pneum. Lifting (EPDM) T 731

Spring-loaded, for liquids and steams/gases, TÜV tested
 Cont. operating temperature: 120°C/250°F (dep. on operating parameters)
 Sterilization temperature: 140°C/285°F (dep. on operating parameters)
 Connections according to DIN 11851

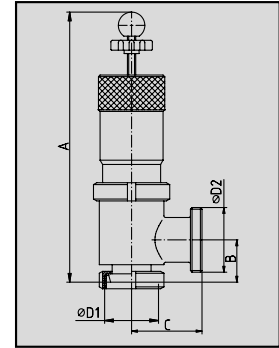
DN ₁ Inlet		DN ₂ Outlet					Pressure Range [bar] ¹		1.4301 (AISI 304)
DN	DIN11851	DN	DIN11851	A	B	C	LIQUIDS	STEAMS/GASES	ID-NO.
25	Rd 52 x 1/6"	40	Rd 65 x 1/6"	70	60	400	2,0 - 12,0	0,7 - 12,0	2306775
40	Rd 65 x 1/6"	50	Rd 78 x 1/6"	85	75	485	1,0 - 9,0	0,5 - 8,0	2306776
50	Rd 78 x 1/6"	65	Rd 95 x 1/6"	110	105	550	0,5 - 8,0	0,5 - 7,0	2306777
65	Rd 95 x 1/6"	80	Rd 110 x 1/4"	130	135	825	0,5 - 5,0	0,6 - 3,5	2306778
80	Rd 110 x 1/4"	100	Rd 130 x 1/4"	160	160	945	0,5 - 5,0	0,5 - 3,1	2306779
100	Rd 130 x 1/4"	125	Rd 160 x 1/4"	185	185	1080	0,5 - 5,0	0,5 - 3,5	2307500

Please specify relief pressure and fitting position when ordering

HYGIENIC SAFETY VALVES

Hyg. Safety Valve with Manual Lifting (EPDM) T 717 D

Spring-loaded, for steams/gases, TÜV tested
Cont. operating temperature: 120°C/250°F (dep. on operating parameters)
Sterilization temperature: 140°C/285°F (dep. on operating parameters)
Connections according to DIN 11851

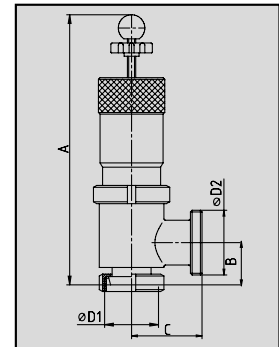


1.4404 (AISI 316L)

METRIC									ID-NO.
DN	A	B	C	ØD1	ØD2	bar ¹	kg		
15/25	270	48	65	Rd 34 x 1/8"	Rd 52 x 1/6"	0.5 - 7	1.5		0061366
25/32	325	47	73	Rd 52 x 1/6"	Rd 58 x 1/6"	0.5 - 10	2.2		0137000
40/50	330	51	85	Rd 65 x 1/6"	Rd 78 x 1/6"	0.5 - 6	4.1		0320408

Hyg. Safety Valve with Manual Lifting (EPDM) T 717 F

Spring-loaded, for liquids, TÜV tested
Cont. operating temperature: 120°C/250°F (dep. on operating parameters)
Sterilization temperature: 140°C/285°F (dep. on operating parameters)
Connections according to DIN 11851

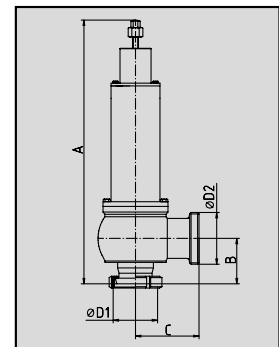


1.4404 (AISI 316L)

METRIC									ID-NO.
DN	A	B	C	ØD1	ØD2	bar ¹	kg		
25/32	325	47	73	Rd 52 x 1/6"	Rd 58 x 1/6"	0.5 - 10	2.2		0331660
40/50	330	51	85	Rd 65 x 1/6"	Rd 78 x 1/6"	0.5 - 5	4.0		0331678

Hyg. Safety Valve with Manual Lifting (EPDM) T 719

Spring-loaded, for liquids and steams/gases, TÜV tested
Cont. operating temperature: 120°C/250°F (dep. on operating parameters)
Sterilization temperature: 140°C/285°F (dep. on operating parameters)
Connections according to DIN 11851

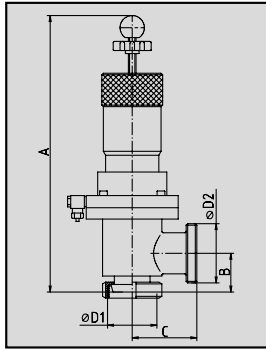


1.4404 (AISI 316L)

METRIC									ID-NO.
DN	A	B	C	ØD1	ØD2	bar ¹	kg		
50/65	562	88	120	Rd 78 x 1/6"	Rd 95 x 1/6"	0.5 - 10	12.8		2028332
65/80	578	96	135	Rd 95 x 1/6"	Rd 110 x 1/4"	0.5 - 10	16.0		2028333
80/100	605	115	155	Rd 110 x 1/4"	Rd 130 x 1/4"	0.5 - 6	20.3		2028334
80/100	660	115	155	Rd 110 x 1/4"	Rd 130 x 1/4"	6.1 - 10			2028335

8.1



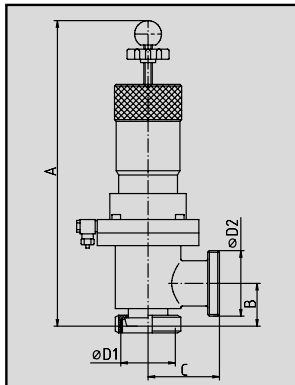


Hyg. Safety Valve with Pneum. Lifting (EPDM) T 718 D

Spring-loaded, for steams/gases, TÜV tested
 Cont. operating temperature: 120°C/250°F (dep. on operating parameters)
 Sterilization temperature: 140°C/285°F (dep. on operating parameters)
 Connections according to DIN 11851

								1.4404 (AISI 316L)	
METRIC								ID-NO.	PRICE
DN ₁ / DN ₂	A	B	C	ØD1	ØD2	bar ¹	kg		
15/25	290	48	65	Rd 34 x 1/8"	Rd 52 x 1/6"	0.5 - 7	2.2	0545038	1916,00 €
25/32	350	47	73	Rd 52 x 1/6"	Rd 58 x 1/6"	0.5 - 10	3.0	0545020	2099,00 €
40/50	370	51	85	Rd 65 x 1/6"	Rd 78 x 1/6"	0.5 - 6	6.5	2901860	3102,00 €

Please specify relief pressure and fitting position when ordering

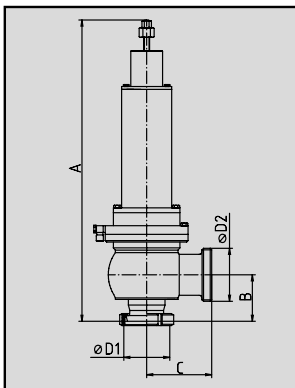


Hyg. Safety Valve with Pneum. Lifting (EPDM) T 718 F

Spring-loaded, for liquids, TÜV tested
 Cont. operating temperature: 120°C/250°F (dep. on operating parameters)
 Sterilization temperature: 140°C/285°F (dep. on operating parameters)
 Connections according to DIN 11851

								1.4404 (AISI 316L)	
METRIC								ID-NO.	PRICE
DN	A	B	C	ØD1	ØD2	bar ¹	kg		
25/32	350	47	73	Rd 52 x 1/6"	Rd 58 x 1/6"	0.5 - 10	3.0	0155275	2098,00 €
40/50	370	51	85	Rd 65 x 1/6"	Rd 78 x 1/6"	0.5 - 5		2901862	3102,00 €

Please specify relief pressure and fitting position when ordering



Hyg. Safety Valve with Pneum. Lifting (EPDM) T 720

Spring-loaded, for liquids and steams/gases, TÜV tested
 Cont. operating temperature: 120°C/250°F (dep. on operating parameters)
 Sterilization temperature: 140°C/285°F (dep. on operating parameters)
 Connections according to DIN 11851

								1.4404 (AISI 316L)	
METRIC								ID-NO.	PRICE
DN	A	B	C	ØD1	ØD2	bar ¹	kg		
50/65	617	88	120	Rd 78 x 1/6"	Rd 95 x 1/6"	0.5 - 10		2028336	3886,00 €
65/80	635	96	135	Rd 95 x 1/6"	Rd 110 x 1/4"	0.5 - 10		2028397	4545,00 €
80/100	665	115	155	Rd 110 x 1/4"	Rd 130 x 1/4"	0.5 - 6		2028398	5939,00 €
80/100	720	115	155	Rd 110 x 1/4"	Rd 130 x 1/4"	6.1 - 10		2028399	6452,00 €

Certificates not included, please order separately.

Please specify relief pressure and fitting position when ordering

8.1



SÜDMO

PIPE CONNECTIONS AND PIPE FITTINGS

CONTENTS

9.1 HYG. PIPE CONNECTIONS

9.2 HYG. PIPE FITTINGS

9.3 ASEPT. PIPE CONNECTIONS



SÜDMO

HYGIENIC PIPE CONNECTIONS

CONTENTS

- 9.1.2 GENERAL INFORMATION AND TECHNICAL SPECIFICATION
- 9.1.4 THREADED CONNECTIONS DIN 11851
- 9.1.10 SMALL FLANGE CONNECTIONS V 140
- 9.1.14 WELD-IN FLANGES DIN EN 1092-1
- 9.1.16 CLAMP CONNECTIONS DIN 32676
- 9.1.20 THREADED CONNECTIONS DIN 11853-1
- 9.1.24 FLANGE CONNECTIONS DIN 11853-2
- 9.1.28 NIPPLES AND SOCKETS
- 9.1.30 HYGIENIC PIPE CONNECTIONS ACCESSORIES

HYGIENIC PIPE CONNECTIONS

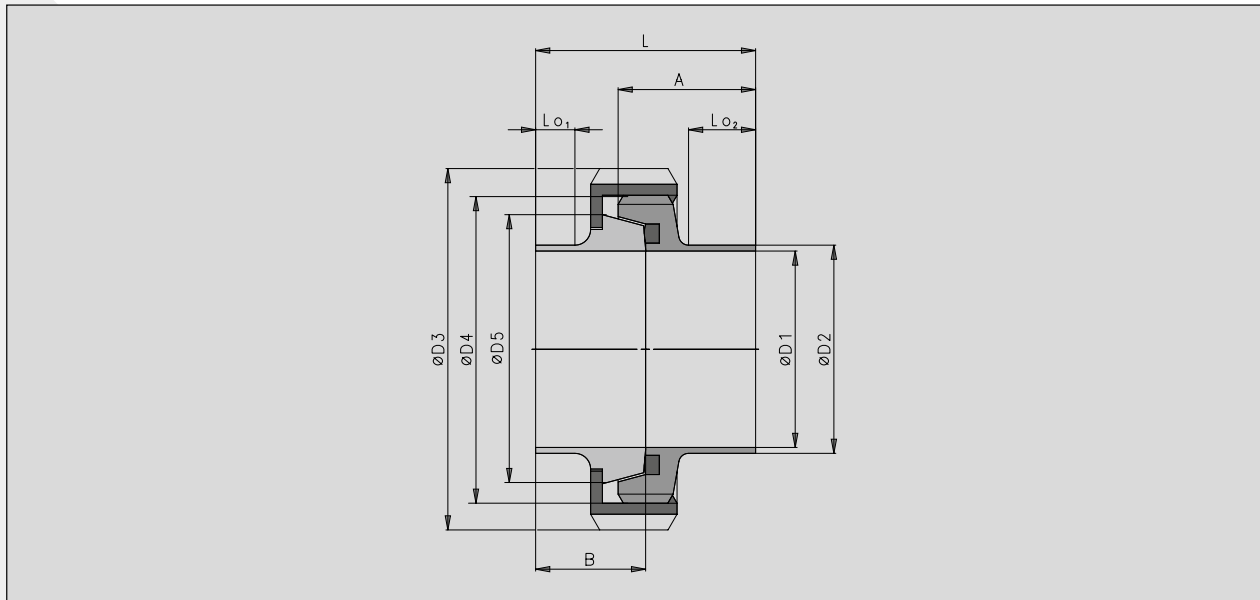
TECHNICAL SPECIFICATION			
Materials	Product wetted parts	1.4301 (AISI 304), 1.4307 (AISI 304 L), 1.4404 (AISI 316 L)	Other materials on request
	Parts not product wetted	1.4301 (AISI 304), 1.4307 (AISI 304 L)	
Sealing materials	Sealing materials (FDA)	EPDM	Other sealing materials on request
Temperatures	Continuous operating temperature	EPDM 130° C / 266° F*	
	Sterilization temperature	EPDM 150° C / 302° F* (ca. 20 min.)	
Operating pressures	Hygienic threaded connection DIN 11851	DN 10-40	40 bar 580 psi
		DN 50-100	25 bar 362,5 psi
		DN 125-150	16 bar 232 psi
	Hyg. small flange connection V140	DN 10-150, OD-Tube 1"-6", ISO 25-100	10 bar 145 psi
	Flange connection DIN EN 1092-1	DN 10-150	16 bar 232 psi
	Hyg. clamp connection DIN 32676	DN 10-50, OD-Tube 1"-2", ISO 25-40	16 bar 232 psi
		DN 65-100, OD-Tube 2.5"-4", ISO 50-80	10 bar 145 psi
	Hygienic threaded connection similar to DIN 11853-1	DN 10-40, OD-Tube 1", ISO 15-25	40 bar 580 psi
		DN 50-100, OD-Tube 1.5"-4", ISO 32-80	25 bar 362,5 psi
		Hygienic flange connection similar to DIN 11853-2	DN 10-40, OD-Tube 1", ISO 15-25
DN 50-100, OD-Tube 1.5"-4", ISO 32-80	16 bar 232 psi		
DN 125-150, ISO 100	10 bar 145 psi		
Surfaces	Product wetted part	Ra ≤ 0,8 µm	
	Surfaces not product wetted	Bright-turned, Ra 1,6 µm	
	Optional	Product wetted surfaces e-polished, higher quality surfaces on request	
Connections	Standard	Welding ends for pipes acc. to DIN 11850 series 2 (DIN 11866 series A), OD-tube (ASTM A270, DIN 11866 series C, ASME BPE-2009) and DIN EN ISO 1127 (DIN 11866 Series B)	

* Depending on operating parameters



HYGIENIC PIPE CONNECTIONS

THREADED CONNECTION DIN 11851-SC



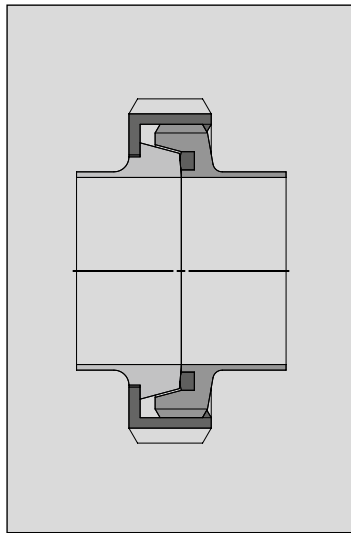
Threaded Connection DIN 11851-SC

METRIC											
DN	ØD1	ØD2	ØD3	ØD4	ØD5	A	B	Lo ₁	Lo ₂	L	kg
10	10	13	38	Rd 28 x 1/8"	22.5	21	17	6	6.5	34	0.1
15	16	19	44	Rd 34 x 1/8"	28.5	21	17	6	6.5	34	0.2
20	20	23	54	Rd 44 x 1/6"	36.5	24	18	5	7	36	0.3
25	26	29	63	Rd 52 x 1/6"	44	29	22	7	11	45	0.4
32	32	35	70	Rd 58 x 1/6"	50	32	25	9	14	51	0.5
40	38	41	78	Rd 65 x 1/6"	56	33	26	10	15	53	0.5
50	50	53	92	Rd 78 x 1/6"	68.5	35	28	11	17	57	0.7
65	66	70	112	Rd 95 x 1/6"	86	40	32	12	18	65	1.2
80	81	85	127	Rd 110 x 1/4"	100	45	37	17	19.5	75	1.7
100	100	104	148	Rd 130 x 1/4"	121	54	44	20	28.5	89	2.3
125	125	129	178	Rd 160 x 1/4"	150	46	34	8	16	70	3.2
150	150	154	210	Rd 190 x 1/4"	176	50	37	9	16	76	4.6



HYGIENIC PIPE CONNECTIONS

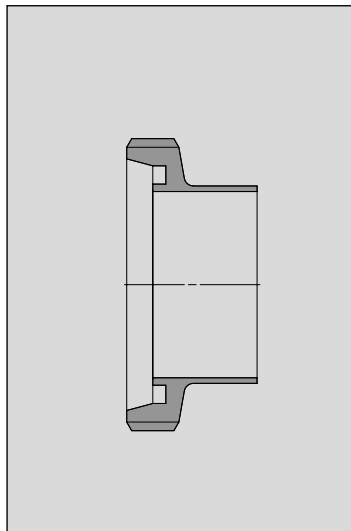
THREADED CONNECTION DIN 11851-SC



Threaded Connection (EPDM)

DIN 11851-SC

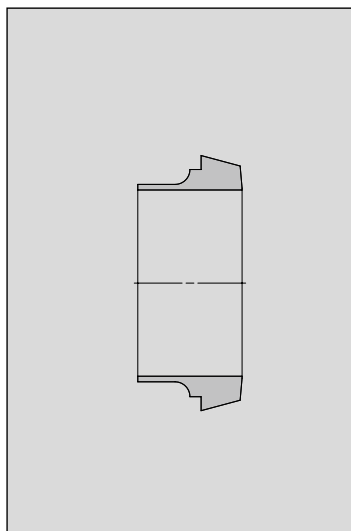
	1.4301 (AISI 304)	1.4404 (AISI 316 L)
METRIC	ID-NO.	ID-NO.
10	S0004786	S0003375
15	S0003438	S0003207
20	S0003439	S0003764
25	S0003440	S0003370
32	S0003441	S0003670
40	S0003442	S0003549
50	S0003443	S0003550
65	S0004771	S0003366
80	S0004431	S0003237
100	S0004772	S0003367
125	S0004221	S0004185
150	S0004222	S0004186



Threaded Male

DIN 11851-SC

	1.4301 (AISI 304)	1.4404 (AISI 316 L)
METRIC	ID-NO.	ID-NO.
10	S0001847	S0000589
15	S0001848	S0000590
20	S0001849	S0000591
25	S0001850	S0000592
32	S0001851	S0000593
40	S0001852	S0000594
50	S0001853	S0000595
65	S0001854	S0000596
80	S0001855	S0000597
100	S0001856	S0000568
125	S0001857	S0000598
150	S0001858	S0000599



Liner

DIN 11851-SC

	1.4301 (AISI 304)	1.4404 (AISI 316 L)
METRIC	ID-NO.	ID-NO.
10	S0001811	S0000576
15	S0001812	S0000577
20	S0001813	S0000578
25	S0001814	S0000580
32	S0001815	S0000581
40	S0001816	S0000582
50	S0001817	S0000575
65	S0001818	S0000583
80	S0001819	S0000584
100	S0001820	S0000585
125	S0001821	S0000586
150	S0001822	S0000587

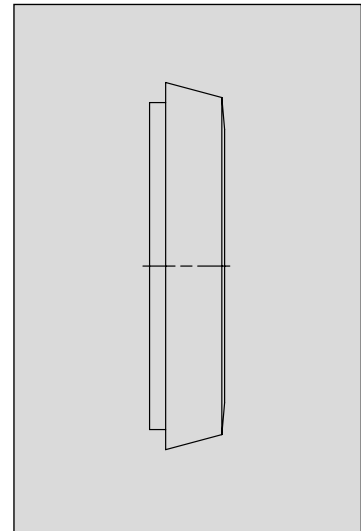
HYGIENIC PIPE CONNECTIONS

Blind Liner

DIN 11851

1.4404 (AISI 316 L)

METRIC	ID-NO.
10	0106682
15	0106690
20	0106708
25	0106716
32	0106724
40	0106732
50	0106740
65	0106757
80	0106765
100	0106781
125	0106799
150	0106807

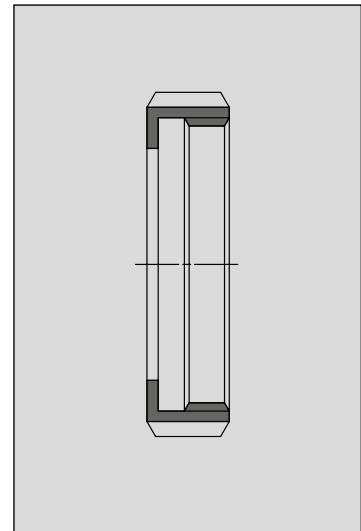


Slotted Nut

DIN 11851

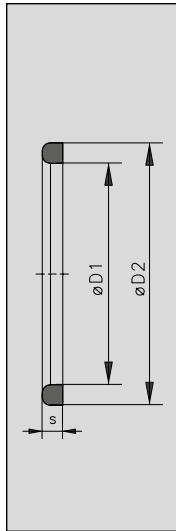
1.4301 (AISI 304)

METRIC	ID-NO.
10	0011809
15	0011817
20	0011825
25	0011833
32	0011841
40	0011858
50	0011866
65	0011874
80	0011882
100	0002493
125	0002501
150	0002527



Seal Ring

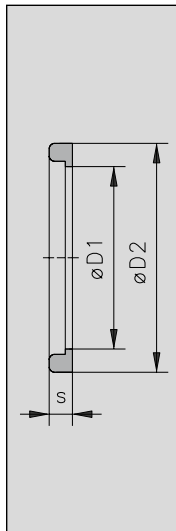
DIN 11851



METRIC	ØD1	ØD2	S	EPDM	FKM	VMQ	NBR
				ID-NO.	ID-NO.	ID-NO.	ID-NO.
10	12	20	4.5	0144956	0144824	0144691	0145342
15	18	26	4.5	0144964	0144832	0144709	0145359
20	23	33	5	0144972	0144840	0144717	0145367
25	30	40	5	0144980	0144857	0144725	0145375
32	36	46	5	0144998	0144865	0144733	0145383
40	42	52	5	0145003	0144873	0144741	0145391
50	54	64	5	0145011	0144881	0144758	0145409
65	71	81	5	0145029	0144899	0144766	0145417
80	85	95	5	0145037	0144907	0144774	0145425
100	104	114	6	0145052	0144923	0144790	0145441
125	130	142	7	0145060	0144931	0144808	0145458
150	155	167	7	0145078	0144949	0144816	0145466

Seal Ring with Collar

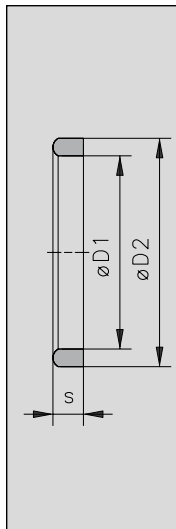
DIN 11851



METRIC	ØD1	ØD2	S	EPDM	FKM	VMQ	NBR
				ID-NO.	ID-NO.	ID-NO.	ID-NO.
10	10.5	20	5	0142273	0146514	0146647	0146779
15	16.5	26	5	0142257	0146522	0146654	0146787
20	20.5	33	5	0142265	0146530	0146662	0146795
25	26.5	40	6	0142281	0146548	0146670	0146803
32	32.5	46	6	0142299	0146555	0146688	0146811
40	38.5	52	6	0142307	0146563	0146696	0146829
50	50.5	64	6	0142315	0146571	0146704	0146837
65	66.5	81	6	0142323	0146589	0146712	0146845
80	81.5	95	6	0142331	0146597	0146720	0146852
100	100.5	114	6	0142356	0146613	0146746	0146878
125	125	142	7	0142364	0146621	0146753	0146886
150	150	167	7	0146506	0146639	0146761	0146894

Seal Ring - High Version

DIN 11851



METRIC	ØD1	ØD2	S	EPDM	NBR
				ID-NO.	ID-NO.
25	30	40	8	0145763	0146159
32	36	46	8	0145771	0146175
40	42	52	8	0145789	0146167
50	54	64	8	0145797	0146183
65	71	81	8	0145805	0146191
80	85	95	8	0145813	0146209
100	104	114	8	0145839	0146225

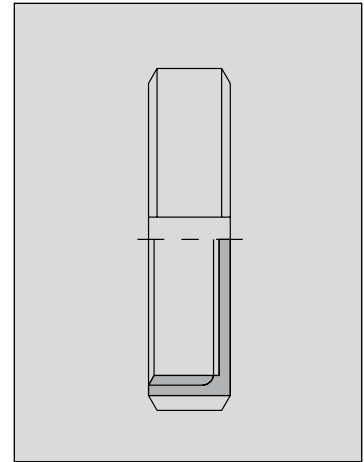
HYGIENIC PIPE CONNECTIONS

Blind Slotted Nut

DIN 11851

1.4301 (AISI 304)

METRIC	ID-NO.
10	0104000
15	0104018
20	0104026
25	0104034
32	0104042
40	0104059
50	0104067
65	0104075
80	0104083
100	0104109

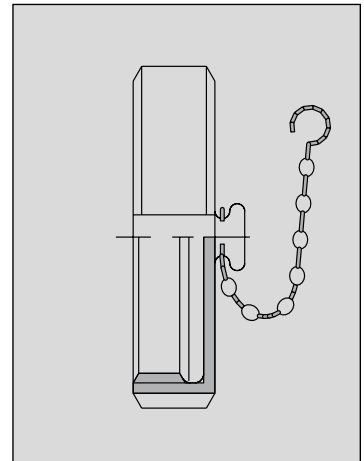


Blind Slotted Nut with Chain

DIN 11851

1.4301 (AISI 304)

METRIC	ID-NO.
10	0104521
15	0104539
20	0104547
25	0104554
32	0104562
40	0104570
50	0104588
65	0104596
80	0104604
100	0104620

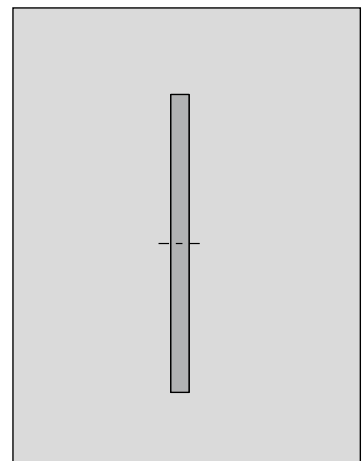


Seal

for blind slotted nut DIN 11851

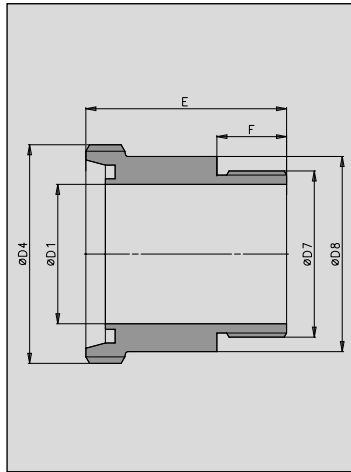
EPDM PTFE

METRIC	ID-NO. EPDM	ID-NO. PTFE
10	0533216	o.r.
15	0533554	0533174
20	0533448	0533182
25	0533463	0533190
32	0533471	0533232
40	0533489	0533240
50	0533497	0533257
65	0533505	0533265
80	0533513	0533273
100	0533539	0533299
125	0533547	o.r.
150	0535534	o.r.



9.1

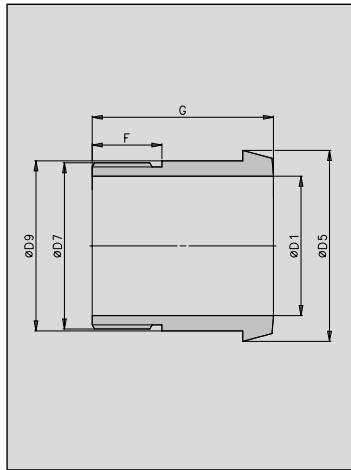




Screw-In Threaded Liner
V 130 DIN 11887

1.4404 (AISI 316 L)

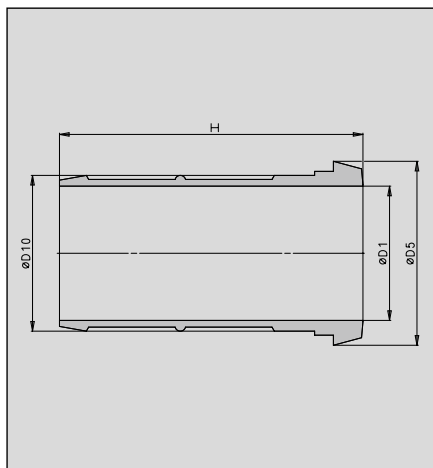
METRIC	ØD1	ØD4	ØD7	ØD8	E	F	KG	ID-NO.
10	10	Rd 28 x 1/8"	R 3/8"	22	44	12	0.1	0019992
15	16	Rd 34 x 1/8"	R 1/2"	28	44	14	0.1	0020008
20	20	Rd 44 x 1/6"	R 3/4"	34	51	16	0.2	2300130
25	26	Rd 52 x 1/6"	R 1"	41	52	18	0.3	0020024
32	32	Rd 58 x 1/6"	R 1 1/4"	50	62	20	0.4	0020032
40	38	Rd 65 x 1/6"	R 1 1/2"	57	62	25	0.5	0020040
50	50	Rd 78 x 1/6"	R 2"	70	72	25	0.7	0020057
65	66	Rd 95 x 1/6"	R 2 1/2"	86	73	25	1.0	2024470
80	81	Rd 110 x 1/4"	R 3"	100	73	25	1.3	2300807
100	100	Rd 130 x 1/4"	R 4"	122	90	30	2.0	2340871



Screw-In Mating Liner
V 132 DIN 11887

1.4404 (AISI 316 L)

METRIC	ØD1	ØD4	ØD7	ØD8	E	F	KG	ID-NO.
10	10	22.5	R 3/8"	18	12	35	0.1	0095794
15	16	28.5	R 1/2"	24	14	38	0.1	0095802
20	20	36.5	R 3/4"	30	16	46	0.1	0095810
25	26	44	R 1"	35	18	46	0.2	0095828
32	32	50	R 1 1/4"	41	20	53	0.3	2024378
40	38	56	R 1 1/2"	48	25	53	0.3	0095844
50	50	68.5	R 2"	61	25	65	0.5	0095851
65	66	86	R 2 1/2"	79	25	65	0.6	0095968
80	81	100	R 3"	93	25	65	0.7	2300808
100	100	121	R 4"	114	30	80	1.3	2013245



Hose Liner

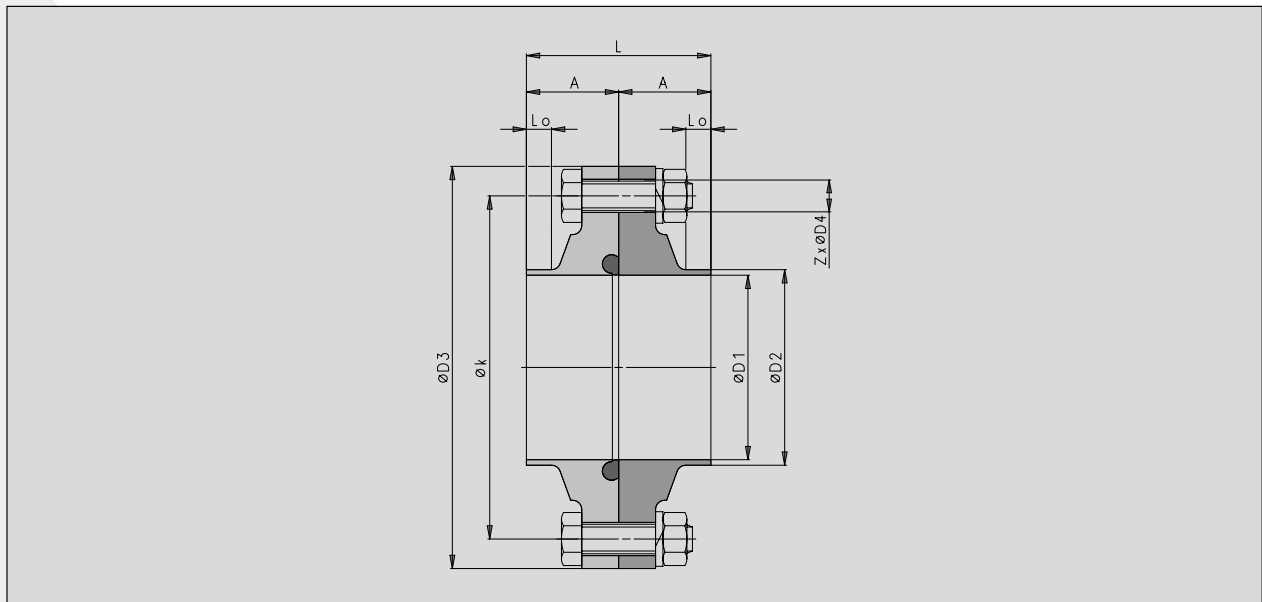
DIN 11887 / for DIN 11887

1.4404 (AISI 316 L)

METRIC	ØD1	ØD4	ØD7	ØD8	ID-NO.
10					
15					
20					
25					
32					
40					
50					
65					
80					
100					

HYGIENIC PIPE CONNECTIONS

SMALL FLANGE CONNECTIONS V 140



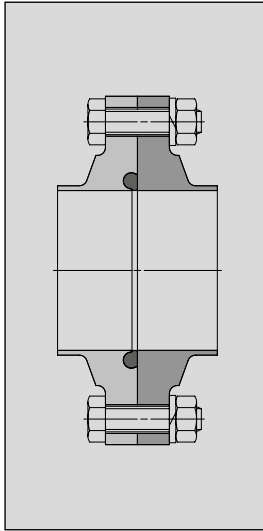
Small Flange Connections V 140

METRIC									
DN	ØD1	ØD2	ØD3	A	Lo	L	Øk	Z x ØD4	kg
10	10	13	50	25	9	50	37.5	4 X M6	0.5
15	16	19	62.5	25	7	50	50	4 X M6	0.5
20	20	23	62.5	25	7	50	50	4 X M6	0.7
25	26	29	84	25	7	50	67	4 X M8	0.9
32	32	35	90	25	7	50	73	4 X M8	1.1
40	38	41	96	25	7	50	80	4 x M8	1.3
50	50	53	109	25	6	50	93	4 x M8	1.5
65	66	70	126	25	6	50	110	4 x M8	1.7
80	81	85	141	25	6	50	125	4 x M8	2.1
100	100	104	161	25	6	50	145	6 x M8	2.5
125	125	129	200	30	6	60	180	6 x M10	5.2
150	150	154	230	30	5	60	210	6 x M10	
OD-TUBE									
DN	ØD1	ØD2	ØD3	A	Lo	L	Øk	Z x ØD4	kg
1.0"	22.1	25.4	84	25	6	50	67	4 X M8	1.1
1.5"	34.8	38.1	96	25	6	50	80	4 X M8	1.3
2.0"	47.5	50.8	109	25	6	50	93	4 X M8	1.5
2.5"	60.2	63.5	126	25	6	50	110	4 X M8	1.9
3.0"	72.9	76.2	141	25	6	50	125	4 X M8	2.1
4.0"	97.4	101.6	161	25	6	50	145	6 x M8	2.5
5.0"	123	127	200	30	6	60	180	6 x M10	5.4
6.0"	148.2	152.4	230	30	5	60	210	6 x M10	
ISO									
DN	ØD1	ØD2	ØD3	A	Lo	L	Øk	Z x ØD4	kg
25	29.7	33.7	84	25	7	50	67	4 X M8	0.9
32	38.4	42.4	96	25	7	50	80	4 X M8	1.1
40	44.3	47.3	93	25	7	50	80	4 X M8	1.1
50	56.3	60.3	109	25	7	50	93	4 X M8	1.3
65	72.1	76.1	141	25	7	50	125	4 X M8	2.3
80	84.3	88.9	141	25	7	50	125	4 x M8	1.9
100	109.7	114.3	161	25	7	50	145	6 x M8	2.1

9.1

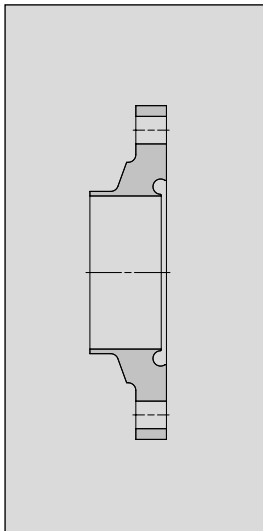


**Small Flange Connection (EPDM)
V 140**



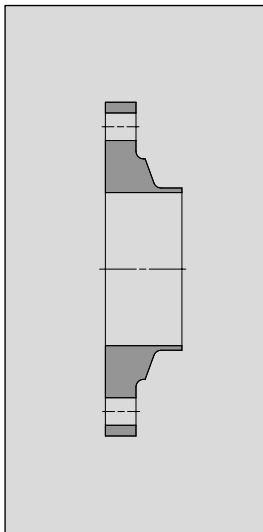
1.4404 (AISI 316 L)		1.4404 (AISI 316 L)		1.4404 (AISI 316 L)	
METRIC	ID-NO.	OD-TUBE	ID-NO.	ISO	ID-NO.
10	S0003166	1.0"	S0003177	25	S0004774
15	S0003167	1.5"	S0003178	32	S0004775
20	S0003168	2.0"	S0003179	40	S0004776
25	S0003169	2.5"	S0003180	50	S0004777
32	S0003170	3.0"	S0003181	65	S0004778
40	S0003171	4.0"	S0003182	80	S0004779
50	S0002400	6.0"	S0004773	100	S0004780
65	S0003172				
80	S0003173				
100	S0003174				
125	S0003175				
150	S0003176				

**Grooved Small Flange
V 141**



1.4404 (AISI 316 L)		1.4404 (AISI 316 L)		1.4404 (AISI 316 L)	
METRIC	ID-NO.	OD-TUBE	ID-NO.	ISO	ID-NO.
10	S0001745	1.0"	S0001757	25	S0004781
15	S0001746	1.5"	S0001758	32	S0004782
20	S0001747	2.0"	S0001759	40	S0004783
25	S0001748	2.5"	S0001760	50	S0004785
32	S0001749	3.0"	S0001761	65	S0004384
40	S0001750	4.0"	S0001762	80	S0004784
50	S0001751	6.0"	S0004787	100	S0004785
65	S0001752				
80	S0001753				
100	S0001754				
125	S0001755				
150	S0001756				

**Small Flange
V 142**



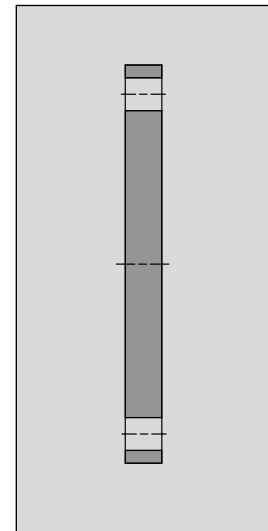
1.4404 (AISI 316 L)		1.4404 (AISI 316 L)		1.4404 (AISI 316 L)	
METRIC	ID-NO.	OD-TUBE	ID-NO.	ISO	ID-NO.
10	S0000131	1.0"	S0000737	25	S0002382
15	S0000132	1.5"	S0000738	32	S0002383
20	S0000133	2.0"	S0000739	40	S0002384
25	S0000134	2.5"	S0000740	50	S0002385
32	S0000135	3.0"	S0000741	65	S0002386
40	S0000136	4.0"	S0000742	80	S0002387
50	S0000137	6.0"	S0004788	100	S0004788
65	S0000138				
80	S0000139				
100	S0000140				
125	S0001763				
150	S0001764				

HYGIENIC PIPE CONNECTIONS

SMALL FLANGE CONNECTIONS V 140

Blind Flange V 143

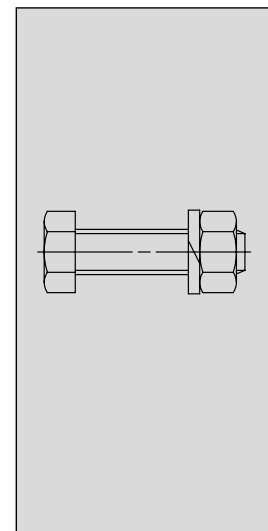
1.4404 (AISI 316 L)		1.4404 (AISI 316 L)		1.4404 (AISI 316 L)	
METRIC	ID-NO.	ZOLL/ OD-TUBE	ID-NO.	ISO	ID-NO.
10	2340877	1.0"	2340878	25	2340878
15	2023899	1.5"	2118383	32	2118383
20	2023899	2.0"	2007725	40	2118383
25	2340878	2.5"	2108435	50	2007725
32	2340879	3.0"	0338426	65	0338426
40	2118383	4.0"	2020999	80	0338426
50	2007725	6.0"	2023069	100	2020999
65	2108435				
80	0338426				
100	2020999				
125	2023068				
150	2023069				



Set of Screws

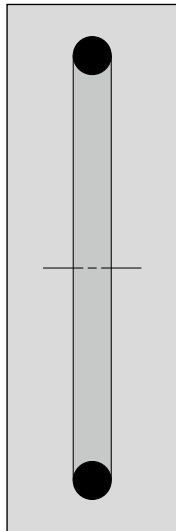
DIN 933 / DIN 934 / DIN 127

1.4301 (AISI 304)		1.4301 (AISI 304)		1.4301 (AISI 304)	
METRIC	ID-NO.	ZOLL/ OD-TUBE	ID-NO.	ISO	ID-NO.
10	0832741	1.0"	0832766	25	0832766
15	0832741	1.5"	0832766	32	0832766
20	0832741	2.0"	0832766	40	0832766
25	0832766	2.5"	0832766	50	0832766
32	0832766	3.0"	0832766	65	0832766
40	0832766	4.0"	0832824	80	0832766
50	0832766	6.0"	0832840	100	0832824
65	0832766				
80	0832766				
100	0832824				
125	0832840				
150	0832840				



9.1





O-Ring Seal

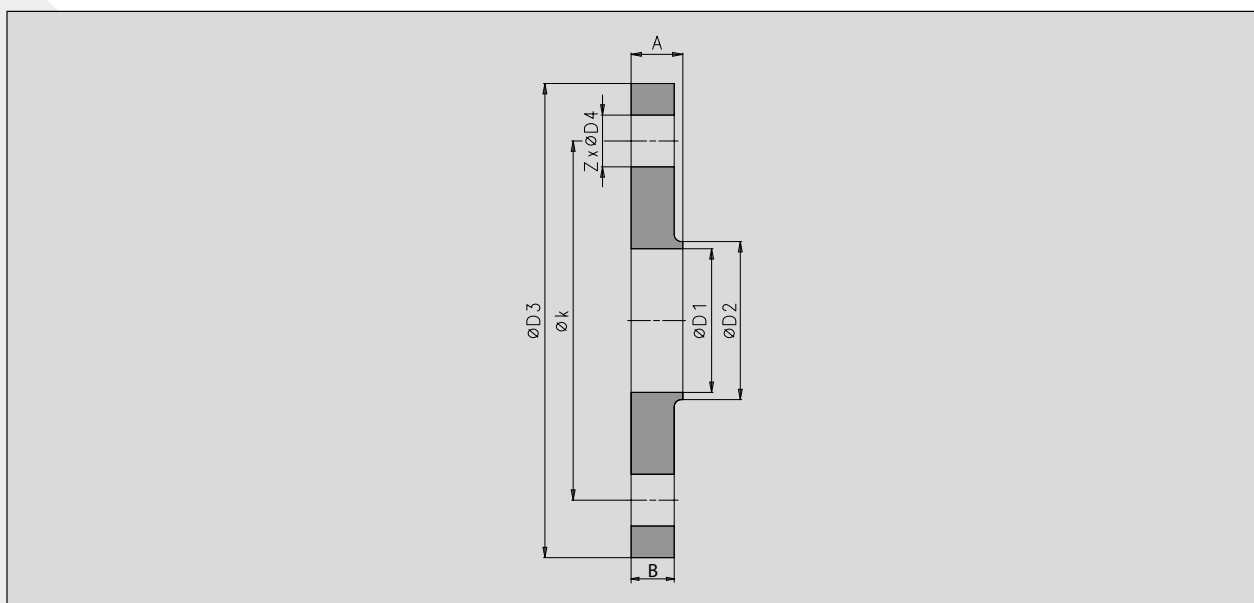
EPDM		HNBR	VMQ	FKM
METRIC	ID-NO.	ID-NO.	ID-NO.	ID-NO.
10	2912859	2003750	2101396	2101380
15	2912860	2101602	0962258	2101379
20	2912861	2101603	0962266	2101378
25	2912862	2101604	0497925	2101377
32	2912863	2101605	0544130	2101376
40	2912864	2101607	2101397	2101375
50	2912865	2101606	2101398	2101374
65	2912866	2130789	0544171	2101373
80	2912867	2130787	0962274	2101372
100	2912868	2101610	0962282	2101371
125	2159420	2101611	2101393	2101392
150	2154862	2101612	2101394	2101395

EPDM		HNBR	VMQ	FKM
OD-TUBE	ID-NO.	ID-NO.	ID-NO.	ID-NO.
1.0"	2912889	2003749	2101402	2101386
1.5"	2912890	2101613	2101403	2101385
2.0"	2912891	2003751	2101404	2101384
2.5"	2159465	2130834	2101401	2101383
3.0"	2912893	2130837	2101400	2101382
4.0"	2159455	2130843	2101399	2101381
6.0"	2154862	2101612	2101394	2101395

EPDM		HNBR	VMQ	FKM
ISO	ID-NO.	ID-NO.	ID-NO.	ID-NO.
25	2911404	2128312	2121977	2125650
32	2912864	2130818	2101397	2101375
40	2159456			
50	2159393			
65	0963066			
80	2159458			
100	2159459			

HYGIENIC PIPE CONNECTIONS

WELD-IN FLANGE V 145



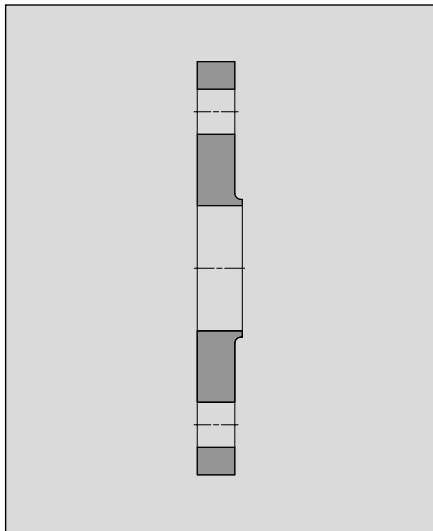
Weld-In Flange V 145

METRIC								
DN	ØD1	ØD2	ØD3	A	B	Øk	Z x ØD4	kg
10	10	15	90	19	16	60	4 X Ø14	0.5
15	16	21	95	19	16	65	4 X Ø14	0.6
20	20	25	105	21	18	75	4 X Ø14	0.9
25	26	31	115	21	18	85	4 X Ø14	1.0
32	32	37	140	21	18	100	4 X Ø18	1.5
40	38	43	150	21	18	110	4 X Ø18	1.8
50	50	55	165	21	18	125	4 X Ø18	2.2
65	66	72	185	21	18	145	8 x Ø18	2.7
80	81	87	200	23	20	160	8 x Ø18	3.3
100	100	106	220	24	20	180	8 x Ø18	3.8
125	125	132	250	26	22	210	8 x Ø18	5.8
150	150	157	285	26	22	240	8 x Ø23	6.6



HYGIENIC PIPE CONNECTIONS

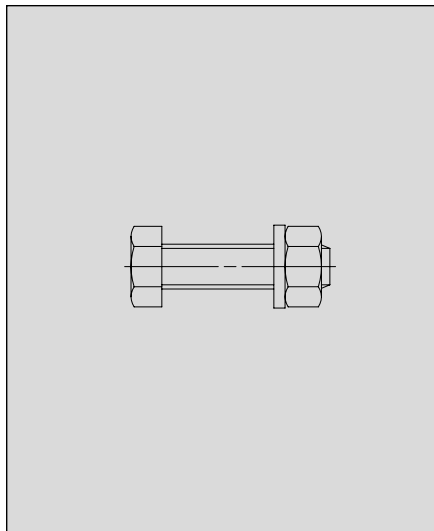
WELD-IN FLANGE V 145



Weld-In Flange

DIN EN 1092-1

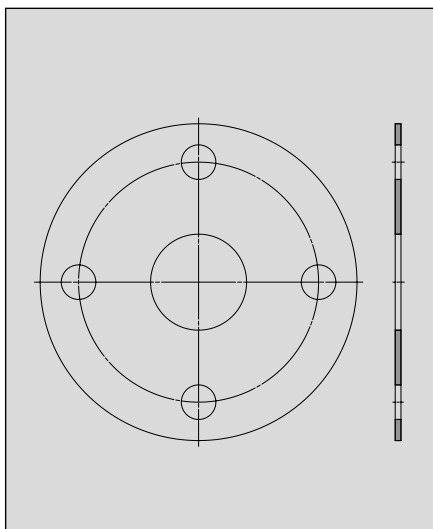
	1.4301 (AISI 304)	1.4404 (AISI 316 L)
METRIC	ID-NO.	ID-NO.
10	0095661	0982389
15	0095679	0095547
20	0095687	0095554
25	0095695	0095562
32	0095703	0095570
40	0095711	0095588
50	0095729	0095596
65	0095737	0095604
80	0095745	0095612
100	0095752	0095620
125	0095760	0095646
150	0095778	0095638



Set of Screws

DIN 933 / DIN 934 / DIN 125

	1.4301 (AISI 304)
METRIC	ID-NO.
10	0670489
15	0670489
20	0670497
25	0670497
32	0670513
40	0670513
50	0670513
65	0670547
80	0670554
100	0670554
125	0670554
150	0670596



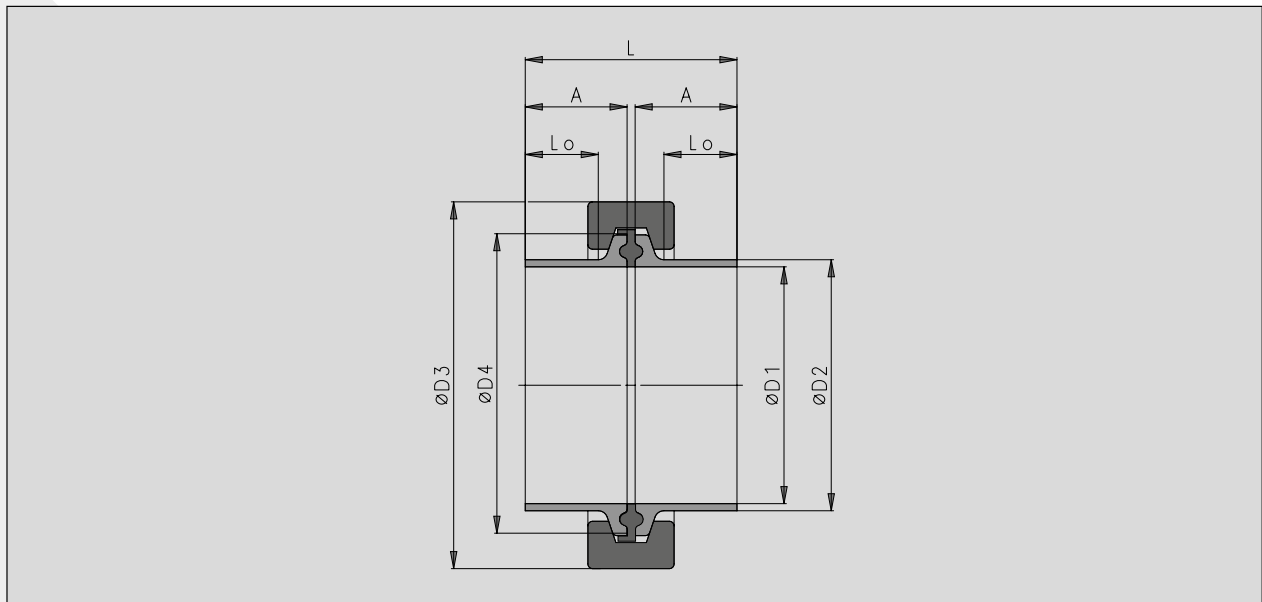
Seal Material

DIN EN 1092-1

	EPDM	PTFE
METRIC	ID-NO.	ID-NO.
10	0532168	0532515
15	0532176	0534099
20	0532184	0534107
25	0532192	0534115
32	0532200	0534123
40	0532218	0534131
50	0532226	0534149
65	0532234	0534156
80	0532242	0534164
100	0532267	0534180
125	0532275	0534198
150	0533687	0534206

HYGIENIC PIPE CONNECTIONS

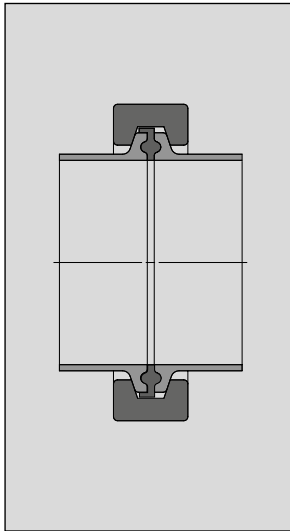
CLAMP CONNECTIONS DIN 32676



Clamp Connections DIN 32676

METRIC								
DN	ØD1	ØD2	ØD3	ØD4	A	Lo	L	kg
10	10	13	44	34	18	9	37.7	0.2
15	16	19	44	34	18	11	37.7	0.2
20	20	23	44	34	18	12	37.7	0.2
25	26	29	63	50.5	21.5	13	44.7	0.5
32	32	35	63	50.5	21.5	14	44.7	0.5
40	38	41	63	50.5	21.5	15	44.7	0.5
50	50	53	77	64	21.5	15	44.7	0.6
65	66	70	104	91	28	19.5	57.7	0.8
80	81	85	119	106	28	19.5	57.7	1.0
100	100	104	132	119	28	21	57.7	1.2
OD-TUBE								
DN	ØD1	ØD2	ØD3	ØD4	A	Lo	L	kg
1.0"	22.1	25.4	63	50.5	21.5	12	44.7	0.5
1.5"	34.8	38.1	63	50.5	21.5	15	44.7	0.5
2.0"	47.5	50.8	77	64	21.5	14	44.7	0.6
2.5"	60.2	63.5	92	77.5	28	21	57.7	0.7
3.0"	72.9	76.1	104	91	28	21	57.7	0.8
4.0"	97.4	101.6	132	119	28	21	57.7	1.2
ISO								
DN	ØD1	ØD2	ØD3	ØD4	A	Lo	L	kg
25	29.7	33.7	63	50.5	21.5	14	44.7	0.5
32	38.4	42.4	63	64	21.5	13	44.7	0.5
40	44.3	48.3	77	64	21.5	14	44.7	0.6
50	56.3	60.3	92	77.5	28	20	57.7	0.7
65	72.1	76.1	104	91	28	20	57.7	0.8
80	84.3	88.9	119	106	28	20	57.7	1.0





Clamp Connection (EPDM)

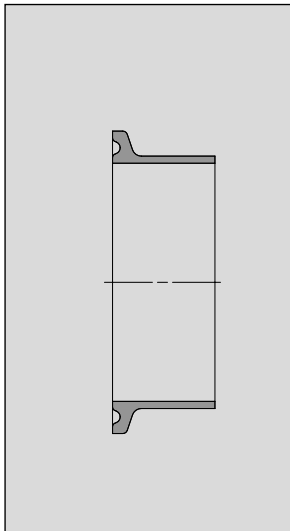
DIN 32676

1.4404 (AISI 316 L)

1.4404 (AISI 316 L)

1.4404 (AISI 316 L)

METRIC	ID-NO.	OD-TUBE	ID-NO.	ISO	ID-NO.
10	0711838	1.0"	2009936	25	2340887
15	0536854	1.5"	0982819	32	2340888
20	0536862	2.0"	0429001	40	2340889
25	0286427	2.5"	2900733	50	2340890
32	0286435	3.0"	2900734	65	2340891
40	0286443	4.0"	2900735	80	2340892
50	0286450				
65	0286468				
80	0286476				
100	0286484				



Clamp Liner

DIN 32676

1.4404 (AISI 316 L)

1.4404 (AISI 316 L)

1.4404 (AISI 316 L)

METRIC	ID-NO.	OD-TUBE	ID-NO.	ISO	ID-NO.
10	0953083	1.0"	0055004	25	2125340
15	0980557	1.5"	0996991	32	2340899
20	0946525	2.0"	0055020	40	2340900
25	0683201	2.5"	2104098	50	2340901
32	0258244	3.0"	0166710	65	2340902
40	0946541	4.0"	2103001	80	2024868
50	0683219				
65	0980607				
80	0946566				
100	0980573				

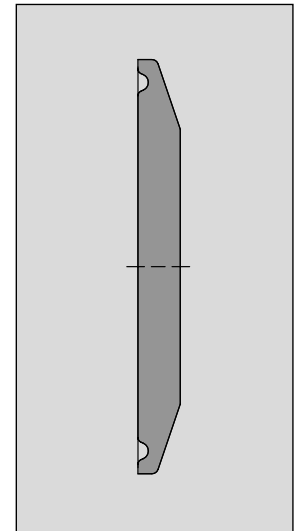
HYGIENIC PIPE CONNECTIONS

CLAMP CONNECTIONS DIN 32676

Blind Liner

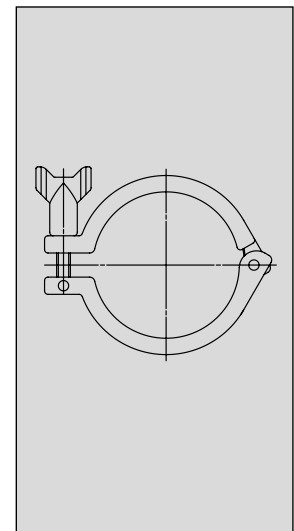
DIN 32676

1.4404 (AISI 316 L)		1.4404 (AISI 316 L)		1.4404 (AISI 316 L)	
METRIC	ID-NO.	OD-TUBE	ID-NO.	ISO	ID-NO.
10	2010938	1.0"	0669291	25	0669291
15	2010938	1.5"	0669291	32	0854232
20	2010938	2.0"	0854232	40	0854232
25	0669291	2.5"	0134270	50	0134270
32	0669291	3.0"	2000094	65	2000094
40	0669291	4.0"	0134239	80	2023692
50	0854232				
65	2000094				
80	2023692				
100	0134239				



Joint Clamp

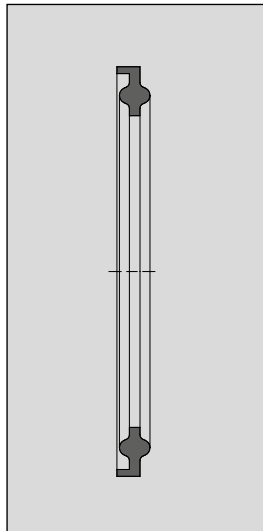
1.4301 AISI 304		1.4301 AISI 304		1.4301 AISI 304	
METRIC	ID-NO.	OD-TUBE	ID-NO.	ISO	ID-NO.
10	0076513	1.0"	2020407	25	2020407
15	0076513	1.5"	2020407	32	2117193
20	0076513	2.0"	2117193	40	2117193
25	2020407	2.5"	2117194	50	2117194
32	2020407	3.0"	2117195	65	2117195
40	2020407	4.0"	2117197	80	2117196
50	2117193				
65	2117195				
80	2117196				
100	2117197				



HYGIENIC PIPE CONNECTIONS CLAMP CONNECTIONS DIN 32676

Seal

DIN 32676, ISO 2852

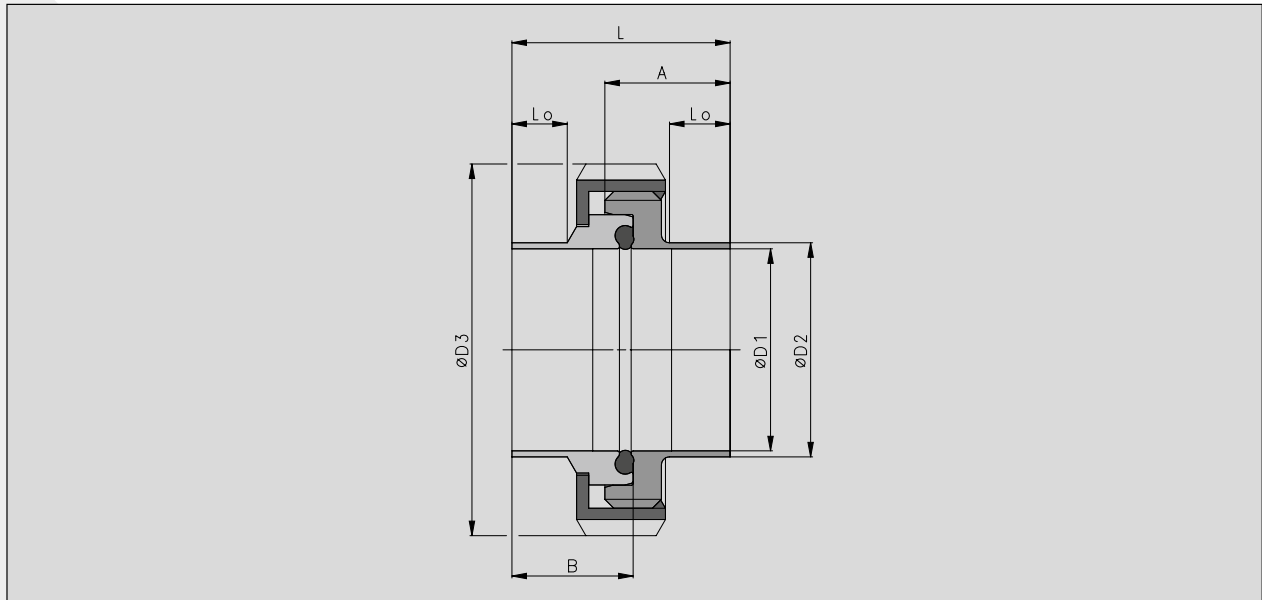


EPDM		EPDM		EPDM	
METRIC	ID-NO.	OD-TUBE	ID-NO.	ISO	ID-NO.
10	0202374	1.0"	0286625	25	2340904
15	0415216	1.5"	0286633	32	2340905
20	0988329	2.0"	0286641	40	2340906
25	0286492	2.5"	0286658	50	2340907
32	0286500	3.0"	0286666	65	0286666
40	0286518	4.0"	0286674	80	2340908
50	0286526				
65	0286534				
80	0286542				
100	0286559				

PTFE		PTFE		PTFE	
METRIC	ID-NO.	OD-TUBE	ID-NO.	ISO	ID-NO.
10	2158400	1.0"	2158410	25	2158416
15	2158401	1.5"	2158411	32	2158417
20	2158402	2.0"	2158412	40	2158418
25	2158403	2.5"	2158413	50	2158419
32	2158404	3.0"	2158414	65	2158420
40	2158405	4.0"	2158415	80	2158421
50	2158406				
65	2158407				
80	2158408				
100	2158409				

HYGIENIC PIPE CONNECTIONS

THREADED CONNECTIONS DIN 11853-1



Threaded Connections DIN 11853-1

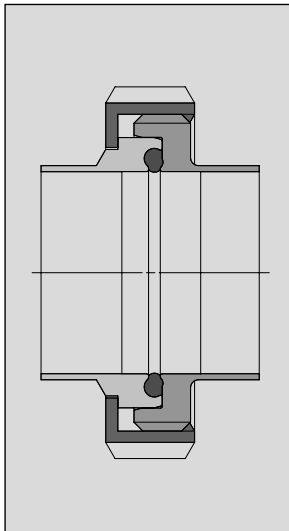
METRIC										
DN	ØD1	ØD2	ØD3	ØD4	ØD5	A	B	Lo	L	kg
10	10	13	38	Rd 28 x 1/8"	21.9	19	17	5	32	0.1
15	16	19	44	Rd 34 x 1/8"	27.9	19	17	5	32	0.2
20	20	23	54	Rd 44 x 1/6"	35.9	21	18	5	34	0.3
25	26	29	63	Rd 52 x 1/6"	42.9	26	22	5	42	0.4
32	32	35	70	Rd 58 x 1/6"	48.9	30	25	10	48	0.5
40	38	41	78	Rd 65 x 1/6"	54.9	31	26	10	50	0.6
50	50	53	92	Rd 78 x 1/6"	66.9	31	30	13	54	0.7
65	66	70	112	Rd 95 x 1/6"	84.9	36	34	15	62	1.2
80	81	85	127	Rd 110 x 1/4"	98.9	42	38	15	72	1.7
100	100	104	148	Rd 130 x 1/4"	118.9	50	46	23	86	2.3
OD-TUBE										
DN	ØD1	ØD2	ØD3	ØD4	ØD5	A	B	Lo	L	kg
1.0"	22.1	25.4	63	Rd 52 x 1/6"	42.9	26	22	7	42	0.4
1.5"	34.8	38.1	78	Rd 65 x 1/6"	54.9	31	26	10	50	0.6
2.0"	47.5	50.8	92	Rd 78 x 1/6"	66.9	31	30	13	54	0.8
2.5"	60.2	63.5	112	Rd 95 x 1/6"	84.9	36	34	13	62	1.2
3.0"	72.9	76.2	127	Rd 110 x 1/4"	98.9	42	38	17	72	1.9
4.0"	97.4	101.6	148	Rd 130 x 1/4"	118.9	50	46	22	86	2.4
ISO										
DN	ØD1	ØD2	ØD3	ØD4	ØD5	A	B	Lo	L	kg
15	18.1	21.3	54	Rd 44 x 1/6"	35.9	21	18	5	34	0.2
20	23.7	26.9	63	Rd 52 x 1/6"	42.9	26	22	7	42	0.4
25	29.7	33.7	70	Rd 58 x 1/6"	48.9	30	25	9	48	0.5
32	38.4	42.4	78	Rd 65 x 1/6"	54.9	31	26	11	50	0.5
40	44.3	48.3	92	Rd 78 x 1/6"	66.9	31	30	12	54	0.7
50	56.3	60.3	112	Rd 95 x 1/6"	84.9	36	34	12	62	1.1
65	72.1	76.1	127	Rd 110 x 1/4"	98.9	42	38	17	72	1.7
80	84.3	88.9	148	Rd 130 x 1/4"	118.9	50	46	18	86	2.4



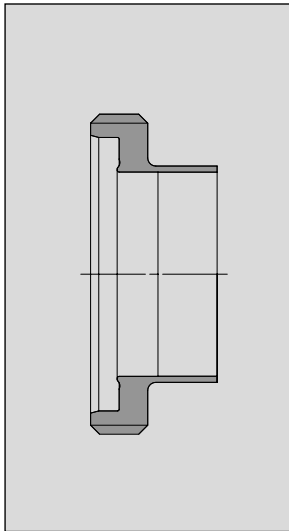
HYGIENIC PIPE CONNECTIONS THREADED CONNECTIONS DIN 11853-1

Complete Threaded Union (EPDM)

DIN 11853-1



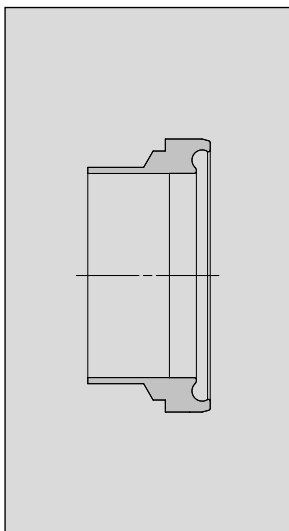
1.4404 [AISI 316 L]		1.4404 [AISI 316 L]		1.4404 [AISI 316 L]	
METRIC	ID-NO.	OD-TUBE	ID-NO.	ISO	ID-NO.
10	2023326	1.0"	2908038	15	2908044
15	2023327	1.5"	2908039	20	2908045
20	2023328	2.0"	2908040	25	2908046
25	2023329	2.5"	2908041	32	2908047
32	2023330	3.0"	2908042	40	2908048
40	2023331	4.0"	2908043	50	2908049
50	2023332			65	2908050
65	2023333			80	2908051
80	2023334				
100	2023335				



Threaded Male

DIN 11853-1

1.4404 [AISI 316 L]		1.4404 [AISI 316 L]		1.4404 [AISI 316 L]	
METRIC	ID-NO.	OD-TUBE	ID-NO.	ISO	ID-NO.
10	2125488	1.0"	2908076	15	2908082
15	2125489	1.5"	2908077	20	2908083
20	2125490	2.0"	2908078	25	2908084
25	2115819	2.5"	2908079	32	2908085
32	2125491	3.0"	2908080	40	2908086
40	2125492	4.0"	2908081	50	2908087
50	2125493			65	2908088
65	2125494			80	2908089
80	2125495				
100	2125496				



Mating Liner

DIN 11853-1

1.4404 [AISI 316 L]		1.4404 [AISI 316 L]		1.4404 [AISI 316 L]	
METRIC	ID-NO.	OD-TUBE	ID-NO.	ISO	ID-NO.
10	2125481	1.0"	2908110	15	2908116
15	2121981	1.5"	2908111	20	2908117
20	2125482	2.0"	2908112	25	2908118
25	2121982	2.5"	2908113	32	2908119
32	2125483	3.0"	2908114	40	2908120
40	2125484	4.0"	2908115	50	2908121
50	2125485			65	2908122
65	2026549			80	2908123
80	2125486				
100	2125487				

HYGIENIC PIPE CONNECTIONS

THREADED CONNECTIONS

Blind Grooved Liner Zylinderblindstutzen

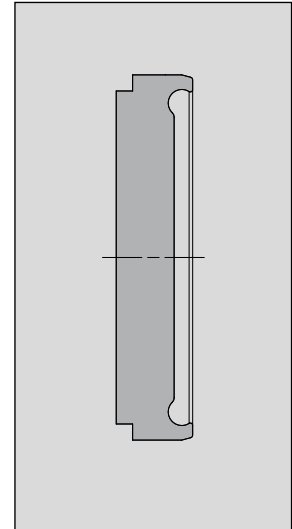
DIN 11864-1 / DIN 11853-1

1.4435 (AISI 316 L) WAZ 3.1

1.4435 (AISI 316 L) WAZ 3.1

1.4435 (AISI 316 L) WAZ 3.1

METRIC	ID-NO.	OD-TUBE	ID-NO.	ISO	ID-NO.
10	2908704	1.0"	2908711	15	2908717
15	2908705	1.5"	2908712	20	2908718
20	2300501	2.0"	2908713	25	2908719
25	2908706	2.5"	2908714	32	2908720
32	2908707	3.0"	2908715	40	2908721
40	2908708	4.0"	2908716	50	2908722
50	2023714			65	2908723
65	2024005			80	2908724
80	2908709				
100	2908710				



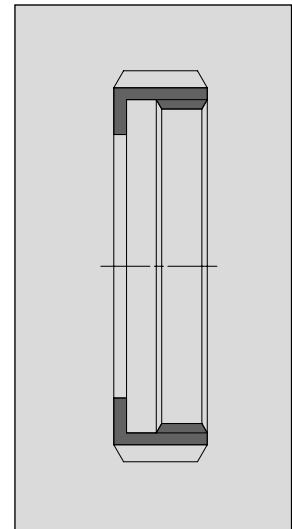
Slotted Nut Nutmutter

1.4301 AISI 304

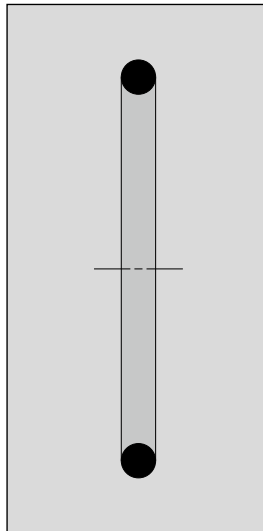
1.4301 AISI 304

1.4301 AISI 304

METRIC	ID-NO.	OD-TUBE	ID-NO.	ISO	ID-NO.
10	0011809	1.0"	0011833	15	0011825
15	0011817	1.5"	0011858	20	0011833
20	0011825	2.0"	0011866	25	0011841
25	0011833	2.5"	0011874	32	0011858
32	0011841	3.0"	0011882	40	0011866
40	0011858	4.0"	0002493	50	0011874
50	0011866			65	0011882
65	0011874			80	0002493
80	0011882				
100	0002493				



HYGIENIC PIPE CONNECTIONS THREADED CONNECTIONS, ACCESSORIES / SPARE PARTS



O-Ring Seal

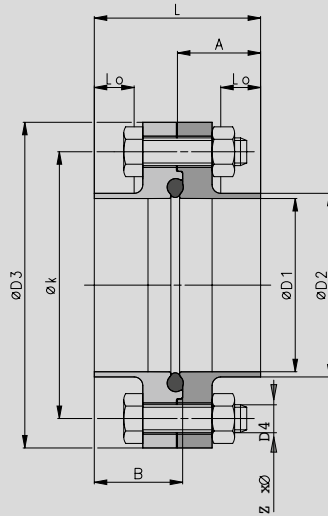
	EPDM	FKM	HNBR	VMQ
METRIC	ID-NO.	ID-NO.	ID-NO.	ID-NO.
10	2902157	O.R.	O.R.	O.R.
15	2902158	O.R.	O.R.	O.R.
20	2902159	O.R.	O.R.	O.R.
25	2902160	O.R.	O.R.	O.R.
32	2902161	O.R.	O.R.	O.R.
40	0911412	O.R.	O.R.	O.R.
50	2902163	O.R.	O.R.	O.R.
65	2902164	O.R.	O.R.	O.R.
80	2902165	O.R.	O.R.	O.R.
100	2902166	O.R.	O.R.	O.R.

	EPDM	FKM	HNBR	VMQ
OD-TUBE	ID-NO.	ID-NO.	ID-NO.	ID-NO.
1.0"	2131145	O.R.	O.R.	O.R.
1.5"	2131146	O.R.	O.R.	O.R.
2.0"	2159556	O.R.	O.R.	O.R.
2.5"	2159465	O.R.	O.R.	O.R.
3.0"	2128484	O.R.	O.R.	O.R.
4.0"	2912868	O.R.	O.R.	O.R.

	EPDM	FKM	HNBR	VMQ
ISO	ID-NO.	ID-NO.	ID-NO.	ID-NO.
15	2131142	O.R.	O.R.	O.R.
20	0016980	O.R.	O.R.	O.R.
25	2159461	O.R.	O.R.	O.R.
32	2131144	O.R.	O.R.	O.R.
40	2123222	O.R.	O.R.	O.R.
50	2123192	O.R.	O.R.	O.R.
65	2123193	O.R.	O.R.	O.R.
80	2123194	O.R.	O.R.	O.R.
80	0961243			

HYGIENIC PIPE CONNECTIONS

FLANGE CONNECTIONS DIN 11853-2



Flange Connections DIN 11853-2

METRIC										
DN	ØD1	ØD2	ØD3	A	B	Lo	L	Øk	Z x ØD4	kg
10	10	13	54	24	25.5	10	48	37	4 x M8	0.3
15	16	19	59	24	25.5	10	48	42	4 x M8	0.4
20	20	23	64	24	25.5	10	48	47	4 x M8	0.4
25	26	29	70	24	25.5	10	48	53	4 x M8	0.5
32	32	35	76	24	25.5	10	48	59	4 x M8	0.6
40	38	41	82	24	25.5	10	48	65	4 x M8	0.6
50	50	53	94	24	25.5	10	48	77	4 x M8	0.8
65	66	70	113	24	25.5	10	48	95	8 x M8	1.0
80	81	85	133	26	27.5	10	52	112	8 x M10	1.6
100	100	104	159	26	27.5	10	52	137	8 x M10	2.6
125	125	129	183	28	29.5	10	56	161	8 x M12	3.1
150	150	154	213	28	29.5	8	56	188	8 x M12	4.3
OD-TUBE										
DN	ØD1	ØD2	ØD3	A	B	Lo	L	Øk	Z x ØD4	kg
1.0"	22.1	25.4	66	24	25.5	10	48	49	4 x M8	0.5
1.5"	34.8	38.1	79	24	25.5	10	48	62	4 x M8	0.6
2.0"	47.5	50.8	92	24	25.5	10	48	75	4 x M8	0.8
2.5"	60.2	63.5	107	24	25.5	10	48	89	8 x M8	0.9
3.0"	72.9	76.2	125	24	25.5	8	48	104	8 x M10	1.4
4.0"	97.4	101.6	157	26	27.5	8	52	135	8 x M10	2.5
ISO										
DN	ØD1	ØD2	ØD3	A	B	Lo	L	Øk	Z x ØD4	kg
15	18.1	21.3	62	24	25.5	10	48	45	4 x M8	0.4
20	23.7	26.9	69	24	25.5	10	48	52	4 x M8	0.5
25	29.7	33.7	74	24	25.5	10	48	57	4 x M8	0.6
32	38.4	42.4	82	24	25.5	10	48	65	4 x M8	0.7
40	44.3	48.3	88	24	25.5	10	48	71	4 x M8	0.7
50	56.3	60.3	103	24	25.5	10	48	85	8 x M8	0.9
65	72.1	76.1	125	24	25.5	8	48	104	8 x M10	1.4
80	84.3	88.9	137	26	27.5	10	52	116	8 x M10	1.7
100	109.7	114.3	168	26	27.5	8	52	146	8 x M10	2.8

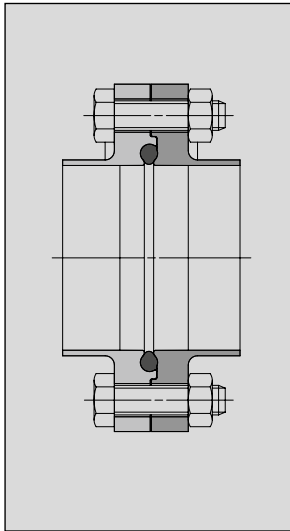


HYGIENIC PIPE CONNECTIONS

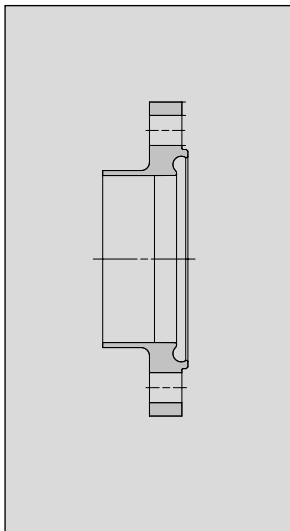
FLANGE CONNECTIONS DIN 11853-2

Flange Connection (EPDM)

DIN 11853-2



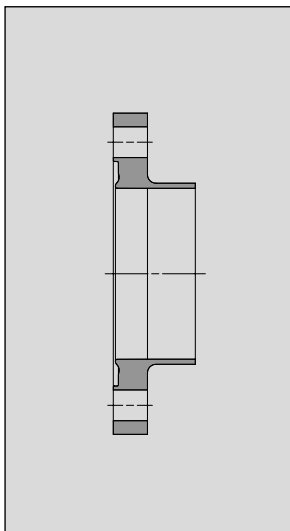
1.4404 (AISI 316 L)		1.4404 (AISI 316 L)		1.4404 (AISI 316 L)	
METRIC	ID-NO.	OD-TUBE	ID-NO.	ISO	ID-NO.
10	2908217	1.0"	2908220	15	2908226
15	2026610	1.5"	2908221	20	2908227
20	2002823	2.0"	2908222	25	2908228
25	2026852	2.5"	2908223	32	2908229
32	2004917	3.0"	2908224	40	2908230
40	2023314	4.0"	2908225	50	2908231
50	2022588			65	2908232
65	2022589			80	2908233
80	2022590			100	2908234
100	2025460				
125	2908218				
150	2908219				



Grooved Flange

DIN 11853-2

1.4404 (AISI 316 L)		1.4404 (AISI 316 L)		1.4404 (AISI 316 L)	
METRIC	ID-NO.	OD-TUBE	ID-NO.	ISO	ID-NO.
10	2908304	1.0"	2908307	15	2908313
15	2023378	1.5"	2908308	20	2908314
20	2130081	2.0"	2908309	25	2908315
25	2125341	2.5"	2908310	32	2908316
32	2026555	3.0"	2908311	40	2908317
40	2128030	4.0"	2908312	50	2908318
50	2101629			65	2908319
65	2101630			80	2908320
80	2101631			100	2908321
100	2125386				
125	2908305				
150	2908306				



Mating Flange

DIN 11853-2

1.4404 (AISI 316 L)		1.4404 (AISI 316 L)		1.4404 (AISI 316 L)	
METRIC	ID-NO.	OD-TUBE	ID-NO.	ISO	ID-NO.
10	2125598	1.0"	2124479	15	2908349
15	2128145	1.5"	2908346	20	2908350
20	2130082	2.0"	2908347	25	2908351
25	2125342	2.5"	2908348	32	2908352
32	2023338	3.0"	2126815	40	2908353
40	2128029	4.0"	2126814	50	2908354
50	2101632			65	2908355
65	2101633			80	2908356
80	2101634			100	2908357
100	2125385				
125	2908344				
150	2908345				

HYGIENIC PIPE CONNECTIONS

FLANGE CONNECTIONS

Blind Mating Flange

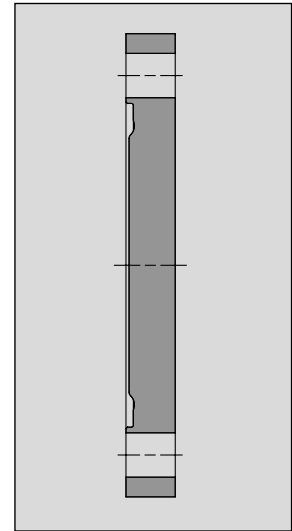
DIN 11864-2 / DIN 11853-2

1.4435 [AISI 316 L] WAZ 3.1

1.4435 [AISI 316 L] WAZ 3.1

1.4435 [AISI 316 L] WAZ 3.1

METRIC	ID-NO.	OD-TUBE	ID-NO.	ISO	ID-NO.
10	2908725	1.0"	2908731	15	2908737
15	2908726	1.5"	2908732	20	2908738
20	2908727	2.0"	2908733	25	2908739
25	2118425	2.5"	2908734	32	2908740
32	2908728	3.0"	2908735	40	2908741
40	2122271	4.0"	2908736	50	2908742
50	2118433			65	2908743
65	2122272			80	2908744
80	2125867			100	2908745
100	2908729				
125	2125793				
150	2908730				



Set of Screws

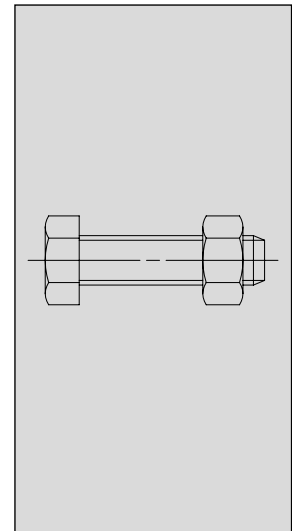
DIN 11864-2 / DIN 11853-2

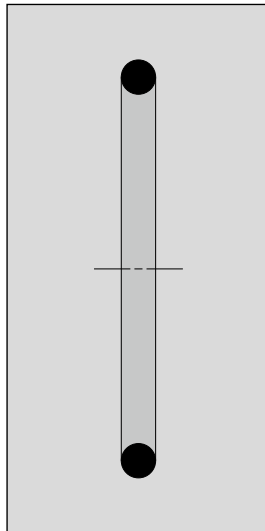
AISI 304 (L)

AISI 304 (L)

AISI 304 (L)

METRIC	ID-NO.	OD-TUBE	ID-NO.	ISO	ID-NO.
10	2131148	1.0"	2131148	15	2131148
15	2131148	1.5"	2131148	20	2131148
20	2131148	2.0"	2131148	25	2131148
25	2131148	2.5"	2131149	32	2131148
32	2131148	3.0"	2131152	40	2131148
40	2131148	4.0"	2131150	50	2131148
50	2131148			65	2131152
65	2131149			80	2131150
80	2131150			100	2131151
100	2131151				
125	2131151				
150	2131153				





O-Ring Seal

	EPDM	FKM	HNBR	VMQ
METRIC	ID-NO.	ID-NO.	ID-NO.	ID-NO.
10	2902157	O.F.	O.F.	O.F.
15	2902158	O.F.	O.F.	O.F.
20	2902159	O.F.	O.F.	O.F.
25	2902160	O.F.	O.F.	O.F.
32	2902161	O.F.	O.F.	O.F.
40	0911412	O.F.	O.F.	O.F.
50	2902163	O.F.	O.F.	O.F.
65	2902164	O.F.	O.F.	O.F.
80	2902165	O.F.	O.F.	O.F.
100	2902166	O.F.	O.F.	O.F.
125	2130946	O.F.	O.F.	O.F.
150	2130945	O.F.	O.F.	O.F.

	EPDM	FKM	HNBR	VMQ
OD-TUBE	ID-NO.	ID-NO.	ID-NO.	ID-NO.
1.0"	2131145	O.F.	O.F.	O.F.
1.5"	2131146	O.F.	O.F.	O.F.
2.0"	2159556	O.F.	O.F.	O.F.
2.5"	2159465	O.F.	O.F.	O.F.
3.0"	2128484	O.F.	O.F.	O.F.
4.0"	2912868	O.F.	O.F.	O.F.

	EPDM	FKM	HNBR	VMQ
ISO	ID-NO.	ID-NO.	ID-NO.	ID-NO.
15	2131142	O.F.	O.F.	O.F.
20	0016980	O.F.	O.F.	O.F.
25	2159461	O.F.	O.F.	O.F.
32	2131144	O.F.	O.F.	O.F.
40	2123222	O.F.	O.F.	O.F.
50	2123192	O.F.	O.F.	O.F.
65	2123193	O.F.	O.F.	O.F.
80	2123194	O.F.	O.F.	O.F.
100	2131147			

HYGIENIC PIPE CONNECTIONS NIPPLES AND SOCKETS

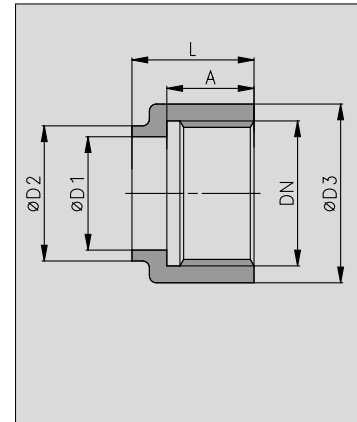
Socket

V 984

DIN ISO 228

1.4404 (AISI 316 L)

DN	ØD1	ØD2	ØD3	A	L	kg	ID-NO.
G 1/8"	5	9	16	10	16	0.1	2019815
G 1/4"	8	12	20	12	18	0.1	0708750
G 3/8"	10	15	24	12	19	0.1	0098640
G 1/2"	16	21	28	14	20	0.1	0098657
G 3/4"	20	25	34	16	22	0.1	0098665
G 1"	26	31	41	20	28	0.1	0098673
G 1 1/4"	32	37	50	20	29	0.2	0098681
G 1 1/2"	38	43.5	56	22	31	0.2	0098699
G 2"	50	56	70	25	35	0.3	0098707
G 2 1/2"	66	72	87	25	37	0.4	0098715
G 3"	80	86	100	25	38	0.5	0098814



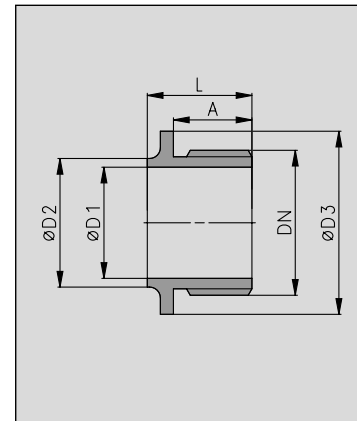
Nipple

V 985

DIN ISO 228

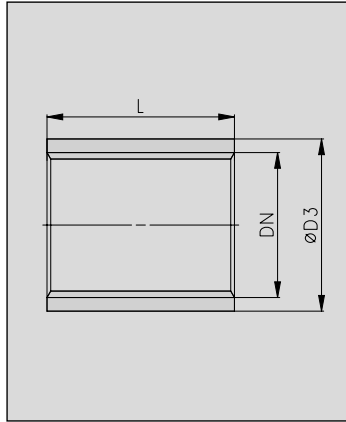
1.4404 (AISI 316 L)

DN	ØD1	ØD2	ØD3	A	L	kg	ID-NO.
G 1/8"	5	9	16	10	16	0.1	2007501
G 1/4"	8	12	20	12	18	0.1	0605451
G 3/8"	10	15	24	12	18	0.1	0605469
G 1/2"	16	21	28	14	20	0.1	0605477
G 3/4"	20	25	34	16	22	0.1	0605485
G 1"	25.5	29.5	42	18	24	0.1	0605493
G 1 1/4"	32	37	50	20	28	0.1	0605501
G 1 1/2"	38	43.5	56	20	30	0.2	0605519
G 2"	50	56	70	25	34	0.2	0605527
G 2 1/2"	64	72	87	25	34	0.3	2007502
G 3"	81	87	102	25	34	0.4	2340880



HYGIENIC PIPE CONNECTIONS

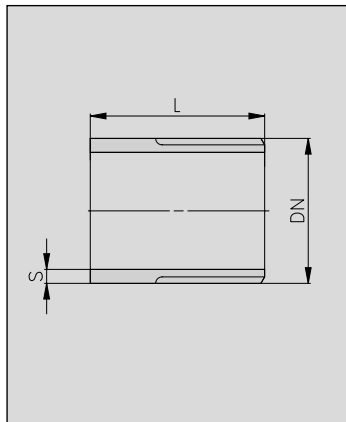
NIPPLES AND SOCKETS



Socket

V 980 ISO 228

				1.4301 (AISI 304)	1.4404 (AISI 316 L)
DN	ØD3	L	kg	ID-NO.	ID-NO.
G 1/8"	15	17	0.1	0685834	0685834
G 1/4"	17.5	25	0.1	0685842	0685842
G 3/8"	21.5	26	0.1	0685859	0685859
G 1/2"	26.4	34	0.1	0685867	0685867
G 3/4"	31.8	36	0.1	0685875	0685875
G 1"	39.5	43	0.1	0685883	0685883
G 1 1/4"	48.3	48	0.2	0685891	0685891
G 1 1/2"	54.5	48	0.2	0685909	0685909
G 2"	66.3	56	0.3	0685917	0685917
G 2 1/2"	82	65	0.5	2340881	2340881
G 3"	95	71	0.7	0685933	0685933



Nipple

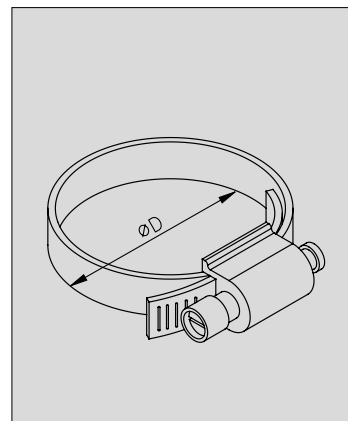
V 981 ISO 228

				1.4301 (AISI 304)	1.4404 (AISI 316 L)
DN	S	L	kg	ID-NO.	ID-NO.
G 1/8"	2	30	0.1	0606442	0655803
G 1/4"	2.3	30	0.1	0606459	0655811
G 3/8"	2.3	30	0.1	0606467	0655829
G 1/2"	2.6	35	0.1	0606475	0655837
G 3/4"	2.6	40	0.1	0606483	0655845
G 1"	3.2	40	0.1	0606491	0655852
G 1 1/4"	3.2	50	0.1	0606509	0655860
G 1 1/2"	3.2	50	0.1	0606517	0655878
G 2"	3.6	50	0.2	0606525	0655886
G 2 1/2"	3.6	60	0.3	0606533	0655894
G 3"	4	70	0.4	0655787	0655902

Hose Clamp

1.4301 (AISI 304)

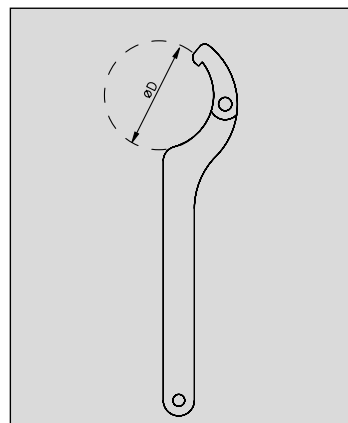
ØD	ID-NO.
20-32	0512434
25-40	0611871
32-50	0512459
40-60	0512467
50-70	0611889
70-90	0512475
90-110	0512483
110-130	0512491
120-140	0512509



Joint Union Spanner

for slotted nut

ØD	ID-NO.
35-60	0780007
60-90	0713305
90-155	0635516



SÜDMO

HYGIENIC PIPE FITTINGS

CONTENT

9.2.2 GENERAL INFORMATION AND TECHNICAL SPECIFICATION

9.2.3 HYGIENIC BEND 90°

9.2.4 HYGIENIC T-PIECES

9.2.6 HYGIENIC REDUCERS

SÜDMO

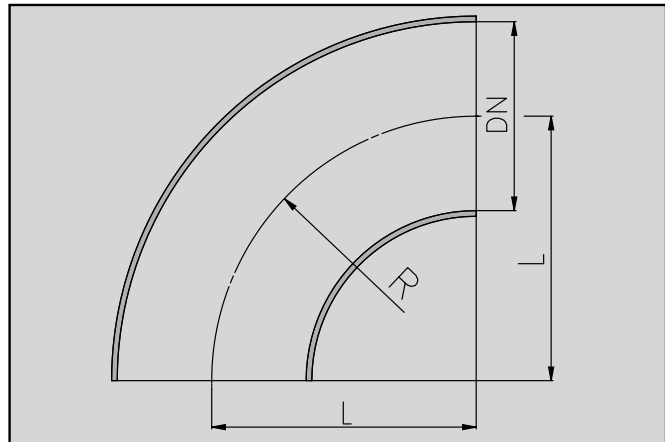
HYGIENIC PIPE FITTINGS

TECHNICAL SPECIFICATION		
Materials	1.4301 [AISI 304], 1.4307 [AISI 304 L], 1.4404 [AISI 316 L]	
Operating pressures	Hygienic bends	DN 10-50, OD-Tube 1"-2" 25 bar 362,5 psi
		DN 65-100, OD-Tube 2.5"-4" 16 bar 232 psi
		DN 125-150 10 bar 145 psi
	Hygienic T-pieces	DN 10-50, OD-Tube 1"-2" 25 bar 362,5 psi
		DN 65-80, OD-Tube 2.5"-3" 16 bar 232 psi
		DN 100, OD-Tube 4" 12,5 bar 181,25 psi
		DN 125 10 bar 145 psi
		DN 150 8 bar 116 psi
	Hygienic reducers	DN 15-20, OD-Tube 1" 40 bar 580 psi
		DN 25-65, OD-Tube 1.5"-3" 25 bar 362,5 psi
		DN 80-150, OD-Tube 4" 16 bar 232 psi
	Surfaces	Product wetted surfaces
Optional		Product wetted surfaces e-polished, higher quality surfaces on request
Connections	Standard	Welding ends for pipes acc. to DIN 11850 series 2 (DIN 11866 series A) and OD-tube (ASTM A270, DIN 11866 series C, ASME BPE-2009)



Hygienic Bend, 90°

Metric DIN 11852-BS 90, OD-Tube similar DIN 11852-BS 90



METRIC	TUBE	R	L	KG
10	Ø 13 x 1.5	26	26	0.1
15	Ø 19 x 1.5	35	35	0.1
20	Ø 23 x 1.5	40	40	0.1
25	Ø 29 x 1.5	50	50	0.1
40	Ø 41 x 1.5	60	60	0.1
50	Ø 53 x 1.5	70	70	0.2
65	Ø 70 x 2	80	80	0.4
80	Ø 85 x 2	90	90	0.6
100	Ø 104 x 2	100	100	1.2
125	Ø 129 x 2	187.5	187.5	1.9
150	Ø 154 x 2	225	225	2.7

OD-TUBE	TUBE	R	L	KG
1"	Ø 25.4 x 1.65	38.1	38.1	0.1
1.5"	Ø 38.1 x 1.65	57.2	57.2	0.1
2"	Ø 50.8 x 1.65	76.2	76.2	0.2
2.5"	Ø 63.5 x 1.65	95.3	95.3	0.4
3"	Ø 76.2 x 1.65	114.3	114.3	0.5
4"	Ø 101.6 x 2.11	152.4	152.4	1.2

METRIC	TUBE	R	L	KG
10	Ø 13 x 1.5	26	26	0.1
15	Ø 19 x 1.5	35	35	0.1
20	Ø 23 x 1.5	40	40	0.1
25	Ø 29 x 1.5	50	50	0.1
40	Ø 41 x 1.5	60	60	0.1
50	Ø 53 x 1.5	70	70	0.2
65	Ø 70 x 2	80	80	0.4
80	Ø 85 x 2	90	90	0.6
100	Ø 104 x 2	100	100	1.2
125	Ø 129 x 2	187.5	187.5	1.9
150	Ø 154 x 2	225	225	2.7

OD-TUBE	TUBE	R	L	KG
1"	Ø 25.4 x 1.65	38.1	38.1	0.1
1.5"	Ø 38.1 x 1.65	57.2	57.2	0.1
2"	Ø 50.8 x 1.65	76.2	76.2	0.2
2.5"	Ø 63.5 x 1.65	95.3	95.3	0.4
3"	Ø 76.2 x 1.65	114.3	114.3	0.5
4"	Ø 101.6 x 2.11	152.4	152.4	1.2

1.4404 [AISI 316 L]
blank

1.4404 [AISI 316 L]
brushed

METRIC	ID-NO.	ID-NO.
10	0932848	0710475
15	0060160	2005139
20	0866897	0867085
25	0866905	0825224
40	0014795	0013011
50	0950931	0013029
65	0014258	0013037
80	0014266	0345298
100	0794933	0012815
125	0942011	
150	0942037	

1.4404 [AISI 316 L]
blank

1.4404 [AISI 316 L]
brushed

OD-TUBE	ID-NO.	ID-NO.
1"	2301112	2341012
1.5"	2301113	2341013
2"	2301114	2341014
2.5"	2301115	2341015
3"	2301116	2341016
4"	2301117	2341017

1.4301 [AISI 316]
blank

1.4301 [AISI 316]
brushed

METRIC	ID-NO.	ID-NO.
10	2012688	2341018
15	2012681	2341019
20	2004492	2341020
25	2004493	0161125
40	0014373	0014696
50	0098566	0014704
65	0098574	0014712
80	0098582	0345280
100	0794925	0013086
125	0794941	
150	0794966	

1.4301 [AISI 316]
blank

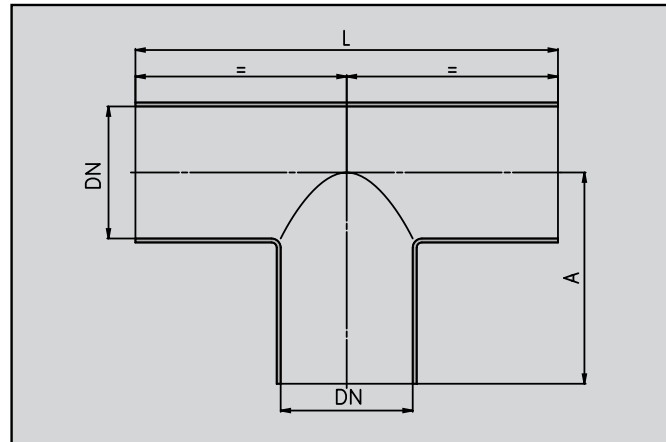
1.4301 [AISI 316]
brushed

OD-TUBE	ID-NO.	ID-NO.
1"	2301106	2341021
1.5"	2301107	2341022
2"	2301108	2341023
2.5"	2301109	2341024
3"	2301110	2341025
4"	2301111	2341026

HYGIENIC PIPE FITTINGS

Hygienic T-Piece, Long Execution

Metric DIN 11852-TS, OD-Tube similar DIN 11852-TS



METRIC	TUBE	A	L	KG
10	Ø 13 x 1.5	35	70	0.1
15	Ø 19 x 1.5	35	70	0.1
20	Ø 23 x 1.5	40	80	0.1
25	Ø 29 x 1.5	50	100	0.1
40	Ø 41 x 1.5	60	120	0.2
50	Ø 53 x 1.5	70	140	0.3
65	Ø 70 x 2	80	160	0.6
80	Ø 85 x 2	90	180	0.8
100	Ø 104 x 2	100	200	1.2
125	Ø 129 x 2	187.5	375	2.9
150	Ø 154 x 2	225	450	4.1

OD-TUBE	TUBE	A	L	KG
1"	Ø 25.4 x 1.65	44	88	0.1
1.5"	Ø 38.1 x 1.65	64	128	0.2
2"	Ø 50.8 x 1.65	89	178	0.4
2.5"	Ø 63.5 x 1.65	114	228	0.7
3"	Ø 76.2 x 1.65	134	268	1.0
4"	Ø 101.6 x 2.11	174	348	2.2

METRIC	TUBE	A	L	KG
10	Ø 13 x 1.5	35	70	0.1
15	Ø 19 x 1.5	35	70	0.1
20	Ø 23 x 1.5	40	80	0.1
25	Ø 29 x 1.5	50	100	0.1
40	Ø 41 x 1.5	60	120	0.2
50	Ø 53 x 1.5	70	140	0.3
65	Ø 70 x 2	80	160	0.6
80	Ø 85 x 2	90	180	0.8
100	Ø 104 x 2	100	200	1.2
125	Ø 129 x 2	187.5	375	2.9
150	Ø 154 x 2	225	450	4.1

OD-TUBE	TUBE	A	L	KG
1"	Ø 25.4 x 1.65	44	88	0.1
1.5"	Ø 38.1 x 1.65	64	128	0.2
2"	Ø 50.8 x 1.65	89	178	0.4
2.5"	Ø 63.5 x 1.65	114	228	0.7
3"	Ø 76.2 x 1.65	134	268	1.0
4"	Ø 101.6 x 2.11	174	348	2.2

1.4404 [AISI 316 L] blank	1.4404 [AISI 316 L] brushed
------------------------------	--------------------------------

METRIC	ID-NO.	ID-NO.
10	2901960	0051870
15	2901961	0745117
20	2901962	0745125
25	2008384	0265652
40	2901964	0745141
50	2901965	0745158
65	2901966	2015526
80	2901967	2015525
100	2901968	0399782
125	2008248	
150	2101755	

1.4404 [AISI 316 L] blank	1.4404 [AISI 316 L] brushed
------------------------------	--------------------------------

OD-TUBE	ID-NO.	ID-NO.
1"	2106478	2301209
1.5"	2109478	2017463
2"	2109480	2301210
2.5"	2109482	2301211
3"	2109483	2301212
4"	2101530	2301213

1.4301 [AISI 316] blank	1.4301 [AISI 316] brushed
----------------------------	------------------------------

METRIC	ID-NO.	ID-NO.
10	2023981	2341035
15	2140137	2341036
20	0269936	0282095
25	0136473	2341037
40	0136499	2341038
50	0136507	0265694
65	0136515	0265728
80	0136523	0267179
100	0270017	0272732
125	0136556	
150	0266247	

1.4301 [AISI 316] blank	1.4301 [AISI 316] brushed
----------------------------	------------------------------

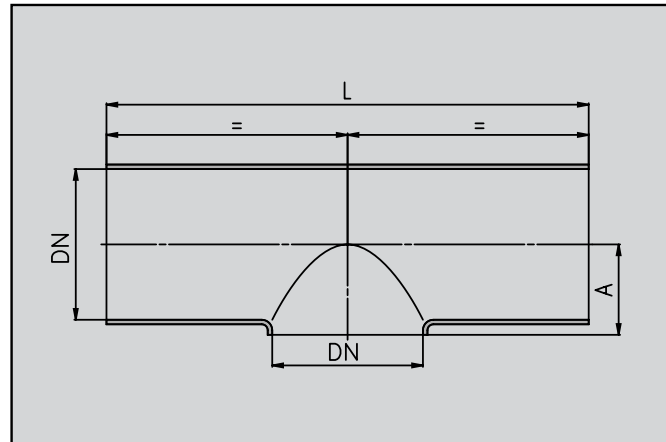
OD-TUBE	ID-NO.	ID-NO.
1"	2100082	2301234
1.5"	2301232	2301235
2"	2301233	2301236
2.5"	0979401	2301237
3"	0936062	2301238
4"	0936468	2301239

9.2



Hygienic T-Piece, Short Execution

Metric DIN 11852-TK, OD-Tube similar DIN 11852-TK



METRIC	TUBE	A	L	KG
15	Ø 19 x 1.5	11	70	0.1
20	Ø 23 x 1.5	13	80	0.1
25	Ø 29 x 1.5	16	100	0.1
40	Ø 41 x 1.5	23	120	0.2
50	Ø 53 x 1.5	30	140	0.3
65	Ø 70 x 2	40	160	0.5
80	Ø 85 x 2	47.5	180	0.7
100	Ø 104 x 2	58	200	0.9
125	Ø 129 x 2	74	375	2.2
150	Ø 154 x 2	90	450	3.3
150	Ø 154 x 2	225	450	4.1

OD-TUBE	TUBE	A	L	KG
1"	Ø 25.4 x 1.65	14	88	
1.5"	Ø 38.1 x 1.65	22	128	
2"	Ø 50.8 x 1.65	29	178	
2.5"	Ø 63.5 x 1.65	35	228	
3"	Ø 76.2 x 1.65	41	268	
4"	Ø 101.6 x 2.11	55	348	

METRIC	TUBE	A	L	KG
15	Ø 19 x 1.5	11	70	0.1
20	Ø 23 x 1.5	13	80	0.1
25	Ø 29 x 1.5	16	100	0.1
40	Ø 41 x 1.5	23	120	0.2
50	Ø 53 x 1.5	30	140	0.3
65	Ø 70 x 2	40	160	0.5
80	Ø 85 x 2	47.5	180	0.7
100	Ø 104 x 2	58	200	0.9
125	Ø 129 x 2	74	375	2.2
150	Ø 154 x 2	90	450	3.3

OD-TUBE	TUBE	A	L	KG
1"	Ø 25.4 x 1.65	14	88	
1.5"	Ø 38.1 x 1.65	22	128	
2"	Ø 50.8 x 1.65	29	178	
2.5"	Ø 63.5 x 1.65	35	228	
3"	Ø 76.2 x 1.65	41	268	
4"	Ø 101.6 x 2.11	55	348	

1.4404 [AISI 316 L]
blank

1.4404 [AISI 316 L]
brushed

METRIC	ID-NO.	ID-NO.
15	0744110	0744128
20	0281584	0161406
25	0950741	0161414
40	0197640	0161398
50	0249318	0622092
65	0197665	0622100
80	0197673	0622118
100	0197699	0905083
125	0990143	
150	0946277	
150	2101755	

1.4404 [AISI 316 L]
blank

1.4404 [AISI 316 L]
brushed

OD-TUBE	ID-NO.	ID-NO.
1"	2301203	2301214
1.5"	2301204	2301215
2"	2301205	2301216
2.5"	2301206	2301217
3"	2301207	2301218
4"	2301208	2301219

1.4301 [AISI 316]
blank

1.4301 [AISI 316]
brushed

METRIC	ID-NO.	ID-NO.
15	2012689	2341028
20	0280800	2341029
25	0197756	2341030
40	0190843	2341031
50	0054221	2341032
65	0043703	0041046
80	0043711	0041038
100	0276501	2341034
125	0054213	
150	0825364	

1.4301 [AISI 316]
blank

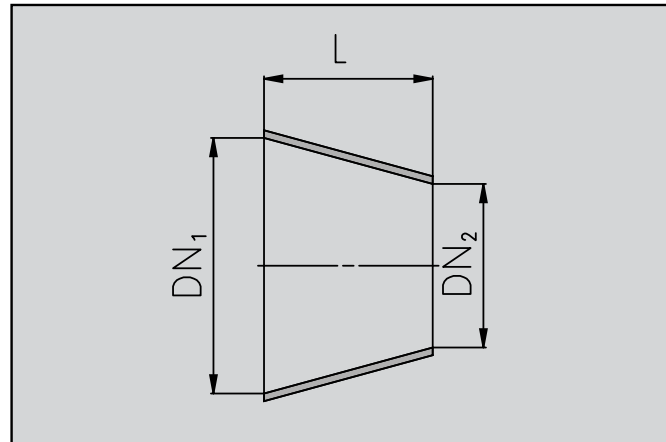
1.4301 [AISI 316]
brushed

OD-TUBE	ID-NO.	ID-NO.
1"	2301220	2301226
1.5"	2301221	2301227
2"	2301222	2301228
2.5"	2301223	2301229
3"	2301224	2301230
4"	0513275	2301231

HYGIENIC PIPE FITTINGS

Hygienic Reducer, Concentric

Metric DIN 11852-RK, OD-Tube similar DIN 11852-RK



METRIC	TUBE DN ₁	TUBE DN ₂	L	KG
15 / 10	Ø 19 x 1.5	Ø 13 x 1.5	11	0.1
20 / 10	Ø 23 x 1.5	Ø 13 x 1.5	18	0.1
20 / 15	Ø 23 x 1.5	Ø 19 x 1.5	7	0.1
25 / 15	Ø 29 x 1.5	Ø 19 x 1.5	18	0.1
25 / 20	Ø 29 x 1.5	Ø 23 x 1.5	11	0.1
40 / 20	Ø 41 x 1.5	Ø 23 x 1.5	33	0.1
40 / 25	Ø 41 x 1.5	Ø 29 x 1.5	22	0.1
50 / 25	Ø 53 x 1.5	Ø 29 x 1.5	44	0.1
50 / 40	Ø 53 x 1.5	Ø 41 x 1.5	22	0.1
65 / 40	Ø 70 x 2	Ø 41 x 1.5	51	0.2
65 / 50	Ø 70 x 2	Ø 53 x 1.5	29	0.1
80 / 50	Ø 85 x 2	Ø 53 x 1.5	56	0.3
80 / 65	Ø 85 x 2	Ø 70 x 2	27	0.2
100 / 65	Ø 104 x 2	Ø 70 x 2	61	0.4
100 / 80	Ø 104 x 2	Ø 85 x 2	34	0.2
125 / 80	Ø 129 x 2	Ø 85 x 2	79	0.4
125 / 100	Ø 129 x 2	Ø 104 x 2	45	0.4
150 / 100	Ø 154 x 2	Ø 104 x 2	90	0.8
150 / 125	Ø 154 x 2	Ø 129 x 2	45	0.7

OD-TUBE	TUBE DN ₁	TUBE DN ₂	L	KG
1" / 0.75"	Ø 25.9 x 1.5	Ø 19.1 x 1.5	12.6	0.1
1.5" / 1"	Ø 38.1 x 1.5	Ø 25.9 x 1.5	22.8	0.1
2" / 1"	Ø 50.8 x 1.5	Ø 25.9 x 1.5	46.5	0.1
2" / 1.5"	Ø 50.8 x 1.5	Ø 38.1 x 1.5	23.7	0.1
2.5" / 1.5"	Ø 63.5 x 1.5	Ø 38.1 x 1.5	47.4	0.2
2.5" / 2"	Ø 63.5 x 1.5	Ø 50.8 x 1.5	23.7	0.1
3" / 2"	Ø 76.2 x 1.5	Ø 50.8 x 1.5	47.2	0.3
3" / 2.5"	Ø 76.2 x 2	Ø 64.5 x 2	23.5	0.2
4" / 2.5"	Ø 101.6 x 2	Ø 64.5 x 2	69.2	0.5
4" / 3"	Ø 101.6 x 2	Ø 76.1 x 2	45.7	0.3

1.4404 (AISI 316 L) blank	1.4404 (AISI 316 L) brushed
------------------------------	--------------------------------

METRIC	ID-NO.	ID-NO.
15 / 10	0950345	0675470
20 / 10	0935908	2102841
20 / 15	0848903	0161463
25 / 15	0950642	0675512
25 / 20	0936096	0675538
40 / 20	0941617	2005752
40 / 25	0988154	2004662
50 / 25	0941633	0399824
50 / 40	0950634	0401919
65 / 40	0004390	0459727
65 / 50	0073304	0987768
80 / 50	0671222	0745224
80 / 65	0073569	2102983
100 / 65	0485946	0987867
100 / 80	0680355	2102619
125 / 80	2102480	
125 / 100	0976993	
150 / 100	0902080	
150 / 125	2102481	

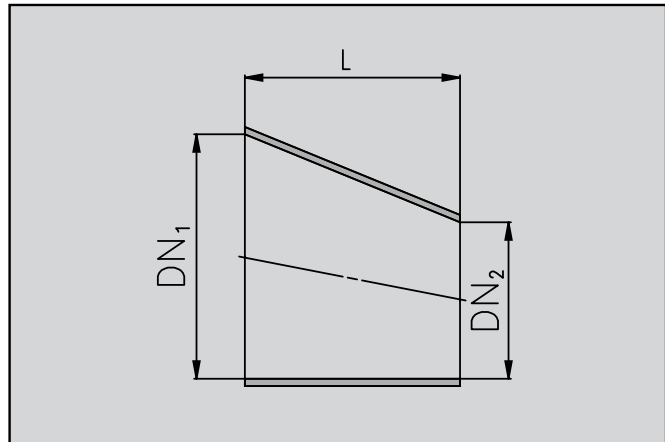
1.4404 (AISI 316 L) blank	1.4404 (AISI 316 L) brushed
------------------------------	--------------------------------

OD-TUBE	ID-NO.	ID-NO.
1" / 0.75"	2140127	2341039
1.5" / 1"	2140128	2341040
2" / 1"	2140129	2341041
2" / 1.5"	2140130	2341042
2.5" / 1.5"	2140131	2341043
2.5" / 2"	2140132	2341044
3" / 2"	2140133	2341045
3" / 2.5"	2140134	2341046
4" / 2.5"	2140135	2341047
4" / 3"	2140136	2341048



Hygienic Reducer, Excentric

Metric DIN 11852-RE, OD-Tube similar DIN 11852-RE



1.4404 (AISI 316 L)
blank

1.4404 (AISI 316 L)
brushed

METRIC	TUBE DN ₁	TUBE DN ₂	L	KG
15 / 10	Ø 19 x 1.5	Ø 13 x 1.5	16.5	0.1
20 / 10 ¹⁾	Ø 23 x 1.5	Ø 13 x 1.5	27.5	0.1
20 / 15	Ø 23 x 1.5	Ø 19 x 1.5	10.1	0.1
25 / 15	Ø 29 x 1.5	Ø 19 x 1.5	27.5	0.1
25 / 20	Ø 29 x 1.5	Ø 23 x 1.5	16.5	0.1
40 / 20 ¹⁾	Ø 41 x 1.5	Ø 23 x 1.5	49.5	0.1
40 / 25	Ø 41 x 1.5	Ø 29 x 1.5	33	0.1
50 / 25 ¹⁾	Ø 53 x 1.5	Ø 29 x 1.5	66	0.1
50 / 40	Ø 53 x 1.5	Ø 41 x 1.5	33	0.1
65 / 40 ¹⁾	Ø 70 x 2	Ø 41 x 1.5	77	0.2
65 / 50	Ø 70 x 2	Ø 53 x 1.5	44	0.1
80 / 50 ¹⁾	Ø 85 x 2	Ø 53 x 1.5	85.2	0.3
80 / 65	Ø 85 x 2	Ø 70 x 2	41.2	0.2
100 / 65 ¹⁾	Ø 104 x 2	Ø 70 x 2	93.4	0.4
100 / 80	Ø 104 x 2	Ø 85 x 2	52.5	0.2
125 / 80 ¹⁾	Ø 129 x 2	Ø 85 x 2	120.5	0.4
125 / 100	Ø 129 x 2	Ø 104 x 2	68.5	0.4
150 / 100 ¹⁾	Ø 154 x 2	Ø 104 x 2	137.5	0.8
150 / 125	Ø 154 x 2	Ø 129 x 2	68.5	0.7

METRIC	ID-NO.	ID-NO.
15 / 10	2006486	0283572
20 / 10 ¹⁾	2102484	2341065
20 / 15	0987230	0283580
25 / 15	0987255	2102488
25 / 20	0987263	2025875
40 / 20 ¹⁾	2102486	2102566
40 / 25	0987214	0439257
50 / 25 ¹⁾	0982215	0272799
50 / 40	0941732	0267310
65 / 40 ¹⁾	0987305	0635680
65 / 50	0941724	2102649
80 / 50 ¹⁾	0987313	2102650
80 / 65	0987321	2102651
100 / 65 ¹⁾	0982181	2102652
100 / 80	0982199	0151118
125 / 80 ¹⁾	0623736	
125 / 100	0982207	
150 / 100 ¹⁾	2102482	
150 / 125	2102483	

¹⁾ not included in DIN 11852



SÜDMO

ASEPTIC PIPE CONNECTIONS

CONTENTS

- 9.3.2 GENERAL INFORMATION AND TECHNICAL SPECIFICATION
- 9.3.4 THREADED CONNECTION DIN 11864-1
- 9.3.8 FLANGE CONNECTION DIN 11864-2
- 9.3.12 CLAMP CONNECTION DIN 11864-3
- 9.3.16 ASEPTIC PIPE CONNECTIONS ACCESSORIES

SÜDMO PIPE CONNECTIONS

ASEPTIC VARIANTS

PENTAIR SÜDMO PIPE CONNECTIONS ASEPTIC VARIANTS

Beside the wide range of valve technology the scope of supply of Pentair Südmö certainly also includes other components for the complete process technology. This also includes the aseptic technique for joining parts.

An optimal surface quality of the process components is important especially for the use in the sterile process range. A inner

surface of $Ra \leq 0,8 \mu m$ is standard in the aseptic technique for joining parts. Other surface qualities are available on request. All sealing parts in contact with the product are according to FDA. The installation of the seals is hygienically clean, as it is dead leg free and easy to clean. A metallic stop defines the deformation of the o-ring and ensures a flushed surface with the inner pipeline.

Orbital welding ends as well as short executions can be covered within the pipe classes DIN 11850 metric, OD-tube and DIN EN ISO 1127. If requested, certificates according to DIN EN 10204 as 2.1 or 2.2 or as 3.1 AD-W2 can be issued.

No matter whether threaded, joint or clamp connection, Pentair Südmö delivers high-class aseptic connections for sterile processes.



SÜDMO PIPE CONNECTIONS

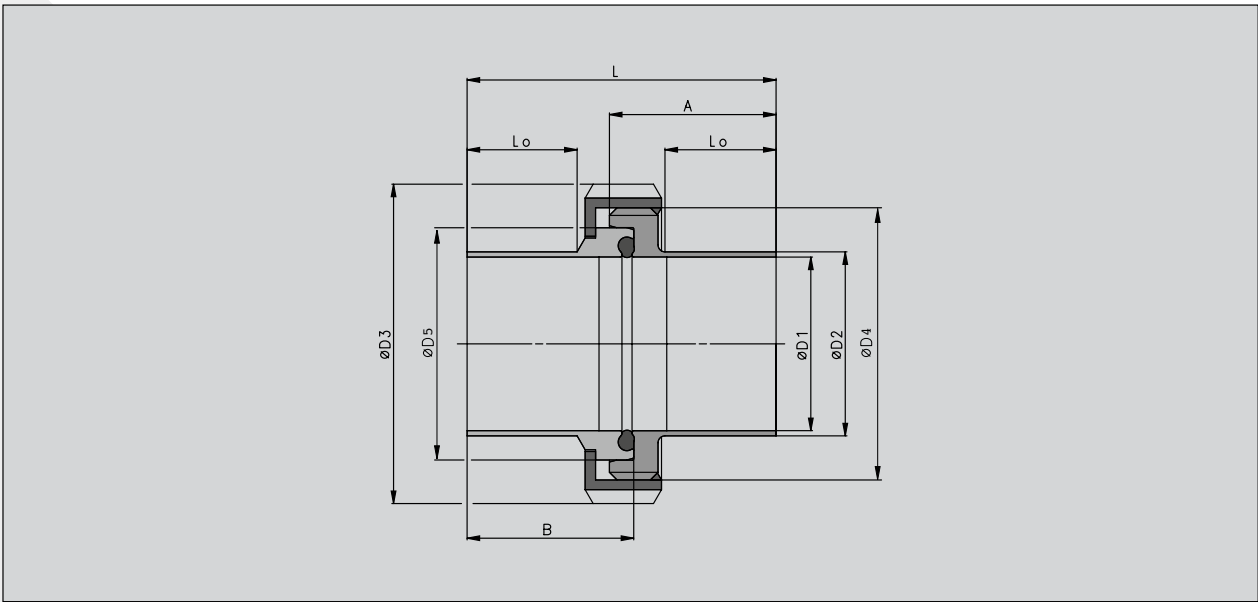
ASEPTIC PIPE CONNECTIONS

TECHNICAL SPECIFICATION				
Materials	Product wetted parts	1.4404 (AISI 316 L), 1.4435 (AISI 316 L)		
	Parts not product wetted	1.4301 (AISI 304), 1.4307 (AISI 304 L)		
Sealing materials	Sealing materials (FDA)	EPDM	Other sealing materials on request	
Temperatures	Continuous operating temperature	EPDM 130° C / 265° F*		
	Sterilisation temperature	EPDM 150° C / 300° F* (approx. 20 min.)		
Operating pressure	Aseptic Complete union DIN 11864-1	DN 10-40, OD-Tube 1", ISO 15-25	40 bar	580 psi
		DN 50-100, OD-Tube 1.5"-4", ISO 32-80	25 bar	362,5 psi
	Aseptic Flange Connection DIN 11864-2	DN 10-40, OD-Tube 1", ISO 15-25	25 bar	362,5 psi
		DN 50-100, OD-Tube 1.5"-4", ISO 32-80	16 bar	232 psi
		DN 125-150, ISO 100	10 bar	145 psi
	Aseptic Clamp Union DIN 11864-3	DN 10-40, OD-Tube 1"-1.5", ISO 08-25	16 bar	232 psi
DN 50-100, OD-Tube 2"-4", ISO 32-80		10 bar	145 psi	
Surfaces	Product wetted part	Ra ≤ 0,8 µm		
	Surfaces not product wetted	Bright-turned, Ra 1,6 µm		
	Optional	Product wetted surfaces e-polished, higher quality surfaces on request		
Connections	Standard	Welding ends for pipes acc. to DIN 11850 series 2 (DIN 11866 series A), OD-tube (ASTM A270, DIN 11866 series C, ASME BPE-2009) and DIN EN ISO 1127 (DIN 11866 Series B)		

* Depending on operating parameters

ASEPTIC PIPE CONNECTIONS

THREADED CONNECTION DIN 11864-1



Threaded Connection DIN 11864-1

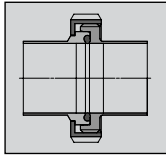
METRIC										
DN	ØD1	ØD2	ØD3	ØD4	ØD5	A	B	Lo	L	kg
10	10	13	38	Rd 28 x 1/8"	21.9	41	39	27	76	0.2
15	16	19	44	Rd 34 x 1/8"	27.9	41	39	27	76	0.2
20	20	23	54	Rd 44 x 1/6"	35.9	43	38	26	76	0.3
25	26	29	63	Rd 52 x 1/6"	42.9	43	40	26	77	0.4
32	32	35	70	Rd 58 x 1/6"	48.9	48	47	32	88	0.5
40	38	41	78	Rd 65 x 1/6"	54.9	48	47	31	88	0.6
50	50	53	92	Rd 78 x 1/6"	66.9	48	48	30	89	0.8
65	66	70	112	Rd 95 x 1/6"	84.9	60	61	40	113	1.2
80	81	85	127	Rd 110 x 1/4"	98.9	64	61	40	117	1.7
100	100	104	148	Rd 130 x 1/4"	118.9	64	66	40	120	2.3

OD-TUBE										
DN	ØD1	ØD2	ØD3	ØD4	ØD5	A	B	Lo	L	kg
1.0"	22.1	25.4	63	Rd 52 x 1/6"	42.9	43	40	26	77	0.4
1.5"	34.8	38.1	78	Rd 65 x 1/6"	54.9	48.5	46.5	30	88	0.5
2.0"	47.5	50.8	92	Rd 78 x 1/6"	66.9	48.5	47.5	30	89	0.6
2.5"	60.2	63.5	112	Rd 95 x 1/6"	84.9	60	63	40	115	0.8
3.0"	72.9	76.2	127	Rd 110 x 1/4"	98.9	64	61	40	117	1.4
4.0"	97.4	101.6	148	Rd 130 x 1/4"	118.9	64	65	40	119	2.0

ISO										
DN	ØD1	ØD2	ØD3	ØD4	ØD5	A	B	Lo	L	kg
15	18.1	21.3	54	Rd 44 x 1/6"	35.9	43	40	27	78	0.3
20	23.7	26.9	63	Rd 52 x 1/6"	42.9	43	41	27	78	0.4
25	29.7	33.7	70	Rd 58 x 1/6"	48.9	48	47	32	88	0.5
32	38.4	42.4	78	Rd 65 x 1/6"	54.9	48	47	32	88	0.6
40	44.3	48.3	92	Rd 78 x 1/6"	66.9	49	48	31	90	0.8
50	56.3	60.3	112	Rd 95 x 1/6"	84.9	60	62	40	114	1.2
65	72.1	76.1	127	Rd 110 x 1/4"	98.9	64	61	40	117	1.9
80	84.3	88.9	148	Rd 130 x 1/4"	118.9	64	68	40	122	2.6



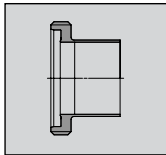
ASEPTIC PIPE CONNECTIONS THREADED CONNECTION DIN 11864-1



Threaded Connection (EPDM)

DIN 11864-1

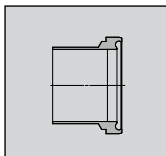
1.4404 (AISI 316 L)		1.4435 (AISI 316 L) APZ 3.1		1.4404 (AISI 316 L)		1.4435 (AISI 316 L) APZ 3.1		1.4404 (AISI 316 L)		1.4435 (AISI 316 L) APZ 3.1	
METRIC	ID-NO.	ID-NO.	OD-TUBE	ID-NO.	ID-NO.	ISO	ID-NO.	ID-NO.	ID-NO.	ID-NO.	ID-NO.
10	2908014	2902127	1.0"	2908024	2908000	15	2908030				2908006
15	2908015	2902128	1.5"	2908025	2908001	20	2908031				2908007
20	2908016	2902129	2.0"	2908026	2908002	25	2908032				2908008
25	2908017	2902130	2.5"	2908027	2908003	32	2908033				2908009
32	2908018	2902131	3.0"	2908028	2908004	40	2908034				2908010
40	2908019	2902132	4.0"	2908029	2908005	50	2908035				2908011
50	2908020	2902133				65	2908036				2908012
65	2908021	2902134				80	2908037				2908013
80	2908022	2902135									
100	2908023	2902136									



Threaded Male

DIN 11864-1

1.4404 (AISI 316 L)		1.4435 (AISI 316 L) APZ 3.1		1.4404 (AISI 316 L)		1.4435 (AISI 316 L) APZ 3.1		1.4404 (AISI 316 L)		1.4435 (AISI 316 L) APZ 3.1	
METRIC	ID-NO.	ID-NO.	OD-TUBE	ID-NO.	ID-NO.	ISO	ID-NO.	ID-NO.	ID-NO.	ID-NO.	ID-NO.
10	2908143	2902137	1.0"	2908152	2908166	15	2908158				2908172
15	2908144	2902138	1.5"	2908153	2908167	20	2908159				2908173
20	2908145	2902139	2.0"	2908154	2908168	25	2908160				2908174
25	2908146	2902140	2.5"	2908155	2908169	32	2908161				2908175
32	2908147	2902141	3.0"	2908156	2908170	40	2908162				2908176
40	2908148	2902142	4.0"	2908157	2908171	50	2908163				2908177
50	2023711	2902143				65	2908164				2908178
65	2908149	2902144				80	2908165				2908179
80	2908150	2902145									
100	2908151	2902146									



Mating Liner

DIN 11864-1

1.4404 (AISI 316 L)		1.4435 (AISI 316 L) APZ 3.1		1.4404 (AISI 316 L)		1.4435 (AISI 316 L) APZ 3.1		1.4404 (AISI 316 L)		1.4435 (AISI 316 L) APZ 3.1	
METRIC	ID-NO.	ID-NO.	OD-TUBE	ID-NO.	ID-NO.	ISO	ID-NO.	ID-NO.	ID-NO.	ID-NO.	ID-NO.
10	2908180	2902147	1.0"	2908189	2908203	15	2908195				2908209
15	2908181	2902148	1.5"	2908190	2908204	20	2908196				2908210
20	2908182	2902149	2.0"	2908191	2908205	25	2908197				2908211
25	2908183	2902150	2.5"	2908192	2908206	32	2908198				2908212
32	2908184	2902151	3.0"	2908193	2908207	40	2908199				2908213
40	2908185	2902152	4.0"	2908194	2908208	50	2908200				2908214
50	2123277	2902153				65	2908201				2908215
65	2908186	2902154				80	2908202				2908216
80	2908187	2902155									
100	2908188	2902156									

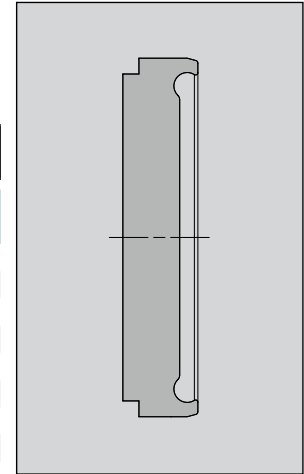
ASEPTIC PIPE CONNECTIONS

THREADED CONNECTION DIN 11864-1

Blind Grooved Liner

DIN 11864-1

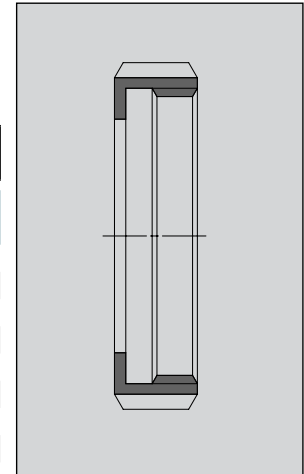
1.4435 (AISI 316 L) APZ 3.1		1.4435 (AISI 316 L) APZ 3.1		1.4435 (AISI 316 L) APZ 3.1	
METRIC	ID-NO.	OD-TUBE	ID-NO.	ISO	ID-NO.
10	2908704	1.0"	2908711	15	2908717
15	2908705	1.5"	2908712	20	2908718
20	2300501	2.0"	2908713	25	2908719
25	2908706	2.5"	2908714	32	2908720
32	2908707	3.0"	2908715	40	2908721
40	2908708	4.0"	2908716	50	2908722
50	2023714			65	2908723
65	2024005			80	2908724
80	2908709				
100	2908710				



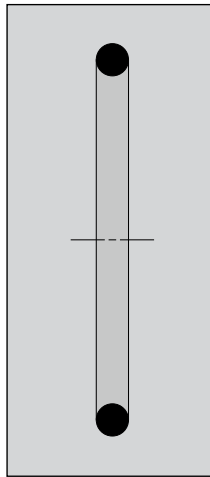
Slotted Nut

für / for DIN 11864-1

1.4301 (AISI 304)		1.4301 (AISI 304)		1.4301 (AISI 304)	
METRIC	ID-NO.	OD-TUBE	ID-NO.	ISO	ID-NO.
10	0011809	1.0"	0011833	15	0011825
15	0011817	1.5"	0011858	20	0011833
20	0011825	2.0"	0011866	25	0011841
25	0011833	2.5"	0011874	32	0011858
32	0011841	3.0"	0011882	40	0011866
40	0011858	4.0"	0002493	50	0011874
50	0011866			65	0011882
65	0011874			80	0002493
80	0011882				
100	0002493				



ASEPTIC PIPE CONNECTIONS THREADED CONNECTION DIN 11864-1

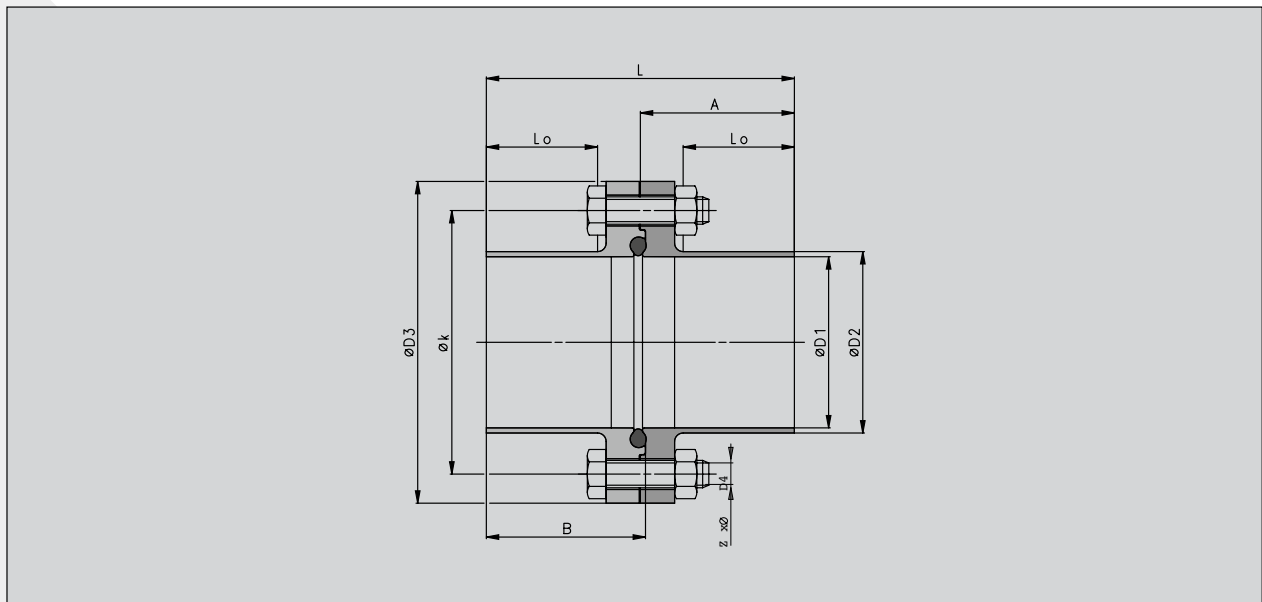


O-Ring Seal

EPDM		EPDM		EPDM	
METRIC	ID-NO.	OD-TUBE	ID-NO.	ISO	ID-NO.
10	2902157	1.0"	2131145	15	2131142
15	2902158	1.5"	2131146	20	0016980
20	2902159	2.0"	2159556	25	2159461
25	2902160	2.5"	2159465	32	2131144
32	2902161	3.0"	2128484	40	2123222
40	0911412	4.0"	2912868	50	2123192
50	2902163			65	2123193
65	2902164			80	2123194
80	2902165				
100	2902166				

ASEPTIC PIPE CONNECTIONS

FLANGE CONNECTION DIN 11864-2



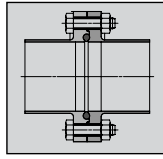
Flange Connection DIN 11864-2

METRIC										
DN	ØD1	ØD2	ØD3	A	B	Lo	L	Øk	Z ØD4	kg
10	10	13	54	40	41.5	26	80	37	4 X M8	0.3
15	16	19	59	40	41.5	26	80	42	4 X M8	0.4
20	20	23	64	40	41.5	26	80	47	4 X M8	0.5
25	26	29	70	40	41.5	26	80	53	4 X M8	0.5
32	32	35	76	45	46.5	31	90	59	4 X M8	0.6
40	38	41	82	45	46.5	31	90	65	4 x M8	0.7
50	50	53	94	45	46.5	31	90	77	4 x M8	0.9
65	66	70	113	54	55.5	40	108	95	8 x M8	1.2
80	81	85	133	58	59.5	42	116	112	8 x M10	1.9
100	100	104	159	58	59.5	40	116	137	8 x M10	2.9
125	125	129	183	60	61.5	42	120	161	8 x M10	3.5
150	150	154	213	60	61.5	40	120	188	8 x M12	4.8
OD-TUBE										
DN	ØD1	ØD2	ØD3	A	B	Lo	L	Øk	Z ØD4	kg
1.0"	22.1	25.4	83	40	41.5	26	80	49	4 X M8	0.4
1.5"	34.8	38.1	95	45	46.5	31	90	62	4 X M8	0.5
2.0"	47.5	50.8	107	45	46.5	31	90	75	4 X M8	0.6
2.5"	60.2	63.5	124	54	55.5	40	108	89	8 X M8	0.8
3.0"	72.9	76.2	139	56	57.5	40	112	104	8 X M10	1.4
4.0"	97.4	101.6	160	58	59.5	40	116	135	8 x M10	2.0
ISO										
DN	ØD1	ØD2	ØD3	A	B	Lo	L	Øk	Z ØD4	kg
15	18.1	21.3	62	40	41.5	26	80	45	4 X M8	0.4
20	23.7	26.9	69	40	41.5	26	80	52	4 X M8	0.5
25	29.7	33.7	74	45	46.5	31	90	57	4 X M8	0.6
32	38.4	42.4	82	45	46.5	31	90	65	4 X M8	0.7
40	44.3	48.3	88	45	46.5	31	90	71	4 X M8	0.8
50	56.3	60.3	103	54	55.5	40	108	85	4 x M8	1.1
65	72.1	76.1	125	56	57.5	40	112	104	8 x M10	1.7
80	84.3	88.9	137	58	59.5	42	116	116	8 x M10	2.0
100	109.7	114.3	168	58	59.5	40	116	146	8 x M10	3.3



ASEPTIC PIPE CONNECTIONS

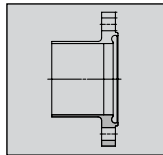
FLANGE CONNECTION DIN 11864-2



Flange Connection (EPDM)

DIN 11864-2

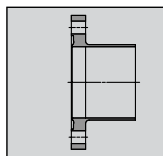
1.4404 (AISI 316 L)		1.4435 (AISI 316 L) APZ 3.1		1.4404 (AISI 316 L)		1.4435 (AISI 316 L) APZ 3.1		1.4404 (AISI 316 L)		1.4435 (AISI 316 L) APZ 3.1	
METRIC	ID-NO.	ID-NO.	OD-TUBE	ID-NO.	ID-NO.	ISO	ID-NO.	ID-NO.	ISO	ID-NO.	ID-NO.
10	2908262	2902167	1.0"	2908274	2908289	15	2908280	2908295	20	2908281	2908296
15	2908263	2902168	1.5"	2908275	2908290	25	2908282	2908297	32	2908283	2908298
20	2908264	2902169	2.0"	2908276	2908291	40	2908284	2908299	50	2908285	2908300
25	2908265	2902170	2.5"	2908277	2908292	65	2908286	2908301	80	2908287	2908302
32	2908266	2902171	3.0"	2908278	2908293	100	2908288	2908303			
40	2908267	2902172	4.0"	2908279	2908294						
50	2908268	2902173									
65	2908269	2902174									
80	2908270	2902175									
100	2908271	2902176									
125	2908272	2902177									
150	2908273	2902178									



Grooved Flange

DIN 11864-2

1.4404 (AISI 316 L)		1.4435 (AISI 316 L) APZ 3.1		1.4404 (AISI 316 L)		1.4435 (AISI 316 L) APZ 3.1		1.4404 (AISI 316 L)		1.4435 (AISI 316 L) APZ 3.1	
METRIC	ID-NO.	ID-NO.	OD-TUBE	ID-NO.	ID-NO.	ISO	ID-NO.	ID-NO.	ISO	ID-NO.	ID-NO.
10	2908381	2902179	1.0"	2908388	2908403	15	2908394	2908409	20	2908395	2908410
15	2908382	2902180	1.5"	2908389	2908404	25	2908396	2908411	32	2908397	2908412
20	2908383	2902181	2.0"	2908390	2908405	40	2908398	2908413	50	2908399	2908414
25	2908384	2902182	2.5"	2908391	2908406	65	2908400	2908415	80	2908401	2908416
32	2908385	2902183	3.0"	2908392	2908407	100	2908402	2908417			
40	2024604	2902184	4.0"	2908393	2908408						
50	2131113	2902185									
65	2908386	2902186									
80	2123236	2902187									
100	2124266	2902188									
125	2908387	2130944									
150	2024860	2130943									



Mating Flange

DIN 11864-2

1.4404 (AISI 316 L)		1.4435 (AISI 316 L) APZ 3.1		1.4404 (AISI 316 L)		1.4435 (AISI 316 L) APZ 3.1		1.4404 (AISI 316 L)		1.4435 (AISI 316 L) APZ 3.1	
METRIC	ID-NO.	ID-NO.	OD-TUBE	ID-NO.	ID-NO.	ISO	ID-NO.	ID-NO.	ISO	ID-NO.	ID-NO.
10	2908418	2902191	1.0"	2908426	2908441	15	2908432	2908447	20	2908433	2908448
15	2908419	2902192	1.5"	2908427	2908442	25	2908434	2908449	32	2908435	2908450
20	2908420	2902193	2.0"	2908428	2908443	40	2908436	2908451	50	2908437	2908452
25	2908421	2902194	2.5"	2908429	2908444	65	2908438	2908453	80	2908439	2908454
32	2908422	2902195	3.0"	2908430	2908445	100	2908440	2908455			
40	2908423	2902196	4.0"	2908431	2908446						
50	2024605	2902197									
65	2908424	2902198									
80	2908425	2902199									
100	2124267	2125748									
125	2125792	2130942									
150	2300197	2130941									

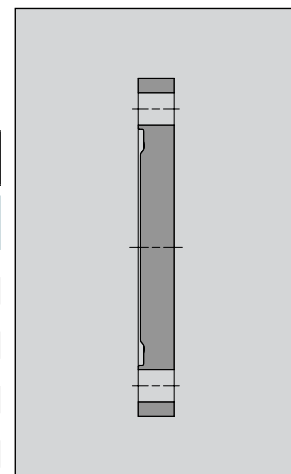
ASEPTIC PIPE CONNECTIONS

FLANGE CONNECTION DIN 11864-2

Blind Mating Flange

DIN 11864-2

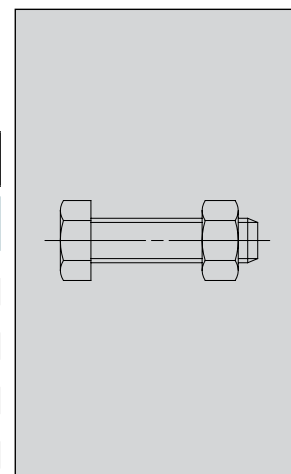
1.4435 (AISI 316 L) APZ 3.1		1.4435 (AISI 316 L) APZ 3.1		1.4435 (AISI 316 L) APZ 3.1	
METRIC	ID-NO.	OD-TUBE	ID-NO.	ISO	ID-NO.
10	2908725	1.0"	2908731	15	2908737
15	2908726	1.5"	2908732	20	2908738
20	2908727	2.0"	2908733	25	2908739
25	2118425	2.5"	2908734	32	2908740
32	2908728	3.0"	2908735	40	2908741
40	2122271	4.0"	2908736	50	2908742
50	2118433			65	2908743
65	2122272			80	2908744
80	2125867			100	2908745
100	2908729				
125	2125793				
150	2908730				



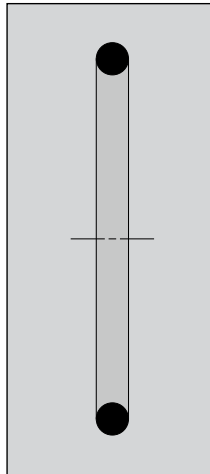
Set of Screws

DIN 933 / DIN 934

1.4301 (AISI 304)		1.4301 (AISI 304)		1.4301 (AISI 304)	
METRIC	ID-NO.	OD-TUBE	ID-NO.	ISO	ID-NO.
10	2131148	1.0"	2131148	15	2131148
15	2131148	1.5"	2131148	20	2131148
20	2131148	2.0"	2131148	25	2131148
25	2131148	2.5"	2131149	32	2131148
32	2131148	3.0"	2131152	40	2131148
40	2131148	4.0"	2131150	50	2131148
50	2131148			65	2131152
65	2131149			80	2131150
80	2131150			100	2131151
100	2131151				
125	2131151				
150	2131153				



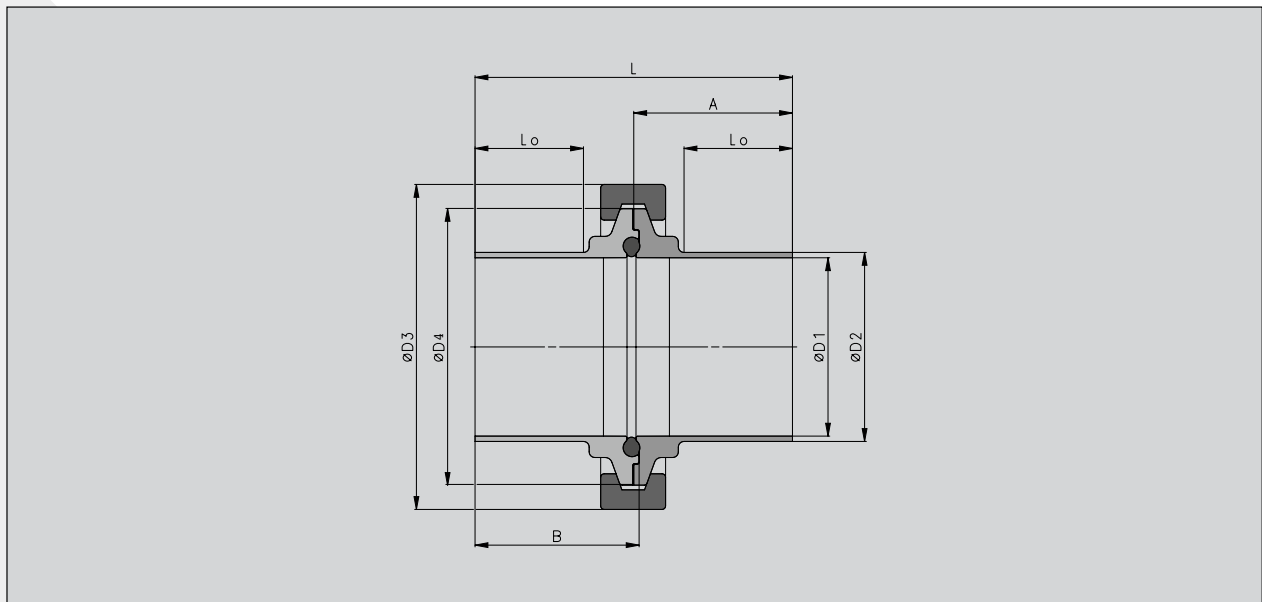
O-Ring Seal



EPDM		EPDM		EPDM	
METRIC	ID-NO.	OD-TUBE	ID-NO.	ISO	ID-NO.
10	2902157	1.0"	2131145	15	2131142
15	2902158	1.5"	2131146	20	0016980
20	2902159	2.0"	2159556	25	2159461
25	2902160	2.5"	2159465	32	2131144
32	2902161	3.0"	2128484	40	2123222
40	0911412	4.0"	2912868	50	2123192
50	2902163			65	2123193
65	2902164			80	2123194
80	2902165				
100	2902166				

ASEPTIC PIPE CONNECTIONS

CLAMP CONNECTION DIN 11864-3



Clamp Connection DIN 11864-3

METRIC									
DN	ØD1	ØD2	ØD3	ØD4	A	B	Lo	L	kg
10	10	13	44	34	38	39.5	26	76	0.2
15	16	19	44	34	38	39.5	26	76	0.2
20	20	23	63	50.5	38	39.5	26	76	0.5
25	26	29	63	50.5	38.5	40	28	77	0.5
32	32	35	63	50.5	44	45.5	30	88	0.5
40	38	41	77	64.0	44	45.5	30	88	0.6
50	50	53	90	77.5	44.5	46	30	89	0.8
65	66	70	104	91	56.5	58	40	113	1.0
80	81	85	119	106	58.5	60	40	117	1.2
100	100	104	143	130	60	61.5	40	120	1.3

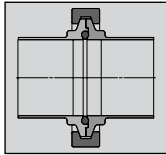
OD-TUBE									
DN	ØD1	ØD2	ØD3	ØD4	ØD5	A	B	Lo	L
1.0"	22.1	25.4	63	50.5	38.5	40	28	77	0.5
1.5"	34.8	38.1	77	64	44	45.5	30	88	0.6
2.0"	47.5	50.8	90	77.5	44.5	46	30	89	0.8
2.5"	60.2	63.5	104	91	57.5	59	40	115	1.0
3.0"	72.9	76.2	119	106	58.5	60	40	117	1.2
4.0"	97.4	101.6	143	130	59.5	61	40	119	1.3

ISO									
DN	ØD1	ØD2	ØD3	ØD4	ØD5	A	B	Lo	L
8	10.3	13.5	44	34	44	39.5	26	76	0.2
10	14.0	17.2	44	34	44	39.5	26	76	0.2
15	18.1	21.3	44	34	44	40.5	26	78	0.2
20	23.7	26.9	63	50.5	63	40	30	78	0.5
25	29.7	33.7	63	50.5	63	45.5	30	88	0.5
32	38.4	42.4	77	64	77	45.5	30	88	0.6
40	44.3	48.3	77	64	77	46.5	30	90	0.8
50	56.3	60.3	104	91	104	58.5	40	114	1.0
65	72.1	76.1	119	106	119	60	40	117	1.2
80	84.3	88.9	132	119	132	62.5	40	122	1.3



ASEPTIC PIPE CONNECTIONS

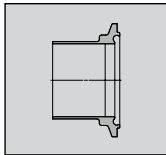
CLAMP CONNECTION DIN 11864-3



Clamp Connection (EPDM)

DIN 11864-3

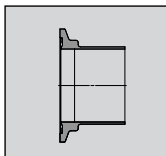
1.4404 (AISI 316 L)		1.4435 (AISI 316 L) APZ 3.1		1.4404 (AISI 316 L)		1.4435 (AISI 316 L) APZ 3.1		1.4404 (AISI 316 L)		1.4435 (AISI 316 L) APZ 3.1	
METRIC	ID-NO.	ID-NO.	OD-TUBE	ID-NO.	ID-NO.	ISO	ID-NO.	ID-NO.	ID-NO.	ID-NO.	ID-NO.
10	2908506	2908531	1.0"	2908516	2908541	8	2908775	2908777			
15	2908507	2908532	1.5"	2908517	2908542	10	2908776	2908778			
20	2908508	2908533	2.0"	2908518	2908543	15	2908522	2908547			
25	2908509	2908534	2.5"	2908519	2908544	20	2908523	2908548			
32	2908510	2908535	3.0"	2908520	2908545	25	2908524	2908549			
40	2908511	2908536	4.0"	2908521	2908546	32	2908525	2908550			
50	2908512	2908537				40	2908526	2908551			
65	2908513	2908538				50	2908527	2908552			
80	2908514	2908539				65	2908528	2908553			
100	2908515	2908540				80	2908529	2908554			



Grooved Clamp Liner

DIN 11864-3

1.4404 (AISI 316 L)		1.4435 (AISI 316 L) APZ 3.1		1.4404 (AISI 316 L)		1.4435 (AISI 316 L) APZ 3.1		1.4404 (AISI 316 L)		1.4435 (AISI 316 L) APZ 3.1	
METRIC	ID-NO.	ID-NO.	OD-TUBE	ID-NO.	ID-NO.	ISO	ID-NO.	ID-NO.	ID-NO.	ID-NO.	ID-NO.
10	2908556	2908581	1.0"	2908566	2908591	8	2908779	2908781			
15	2908557	2908582	1.5"	2908567	2908592	10	2908780	2908782			
20	2908558	2908583	2.0"	2908568	2908593	15	2908572	2908597			
25	2908559	2908584	2.5"	2908569	2908594	20	2908573	2908598			
32	2908560	2908585	3.0"	2908570	2908595	25	2908574	2908599			
40	2908561	2908586	4.0"	2908571	2908596	32	2908575	2908600			
50	2908562	2908587				40	2908576	2908601			
65	2908563	2908588				50	2908577	2908602			
80	2908564	2908589				65	2908578	2908603			
100	2908565	2908590				80	2908579	2908604			



Mating Clamp Liner

DIN 11864-3

1.4404 (AISI 316 L)		1.4435 (AISI 316 L) APZ 3.1		1.4404 (AISI 316 L)		1.4435 (AISI 316 L) APZ 3.1		1.4404 (AISI 316 L)		1.4435 (AISI 316 L) APZ 3.1	
METRIC	ID-NO.	ID-NO.	OD-TUBE	ID-NO.	ID-NO.	ISO	ID-NO.	ID-NO.	ID-NO.	ID-NO.	ID-NO.
10	2908606	2908631	1.0"	2908616	2908641	8	2908783	2908785			
15	2908607	2908632	1.5"	2908617	2908642	10	2908784	2908786			
20	2908608	2908633	2.0"	2908618	2908643	15	2908622	2908647			
25	2908609	2908634	2.5"	2908619	2908644	20	2908623	2908648			
32	2908610	2908635	3.0"	2908620	2908645	25	2908624	2908649			
40	2908611	2908636	4.0"	2908621	2908646	32	2908625	2908650			
50	2908612	2908637				40	2908626	2908651			
65	2908613	2908638				50	2908627	2908652			
80	2908614	2908639				65	2908628	2908653			
100	2908615	2908640				80	2908629	2908654			

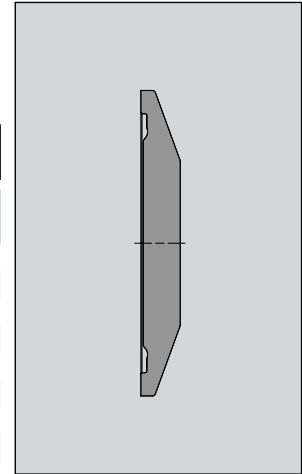
ASEPTIC PIPE CONNECTIONS

CLAMP CONNECTION DIN 11864-3

Blind Mating Liner

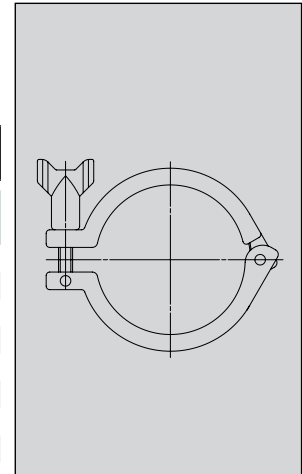
DIN 11864-3

1.4435 (AISI 316 L) APZ 3.1		1.4435 (AISI 316 L) APZ 3.1		1.4435 (AISI 316 L) APZ 3.1	
METRIC	ID-NO.	OD-TUBE	ID-NO.	ISO	ID-NO.
10	2908748	1.0"	2908758	8	2908764
15	2908749	1.5"	2908759	10	2908765
20	2908750	2.0"	2908760	15	2908766
25	2908751	2.5"	2908761	20	2908767
32	2908752	3.0"	2908762	25	2908768
40	2908753	4.0"	2908763	32	2908769
50	2908754			40	2908770
65	2908755			50	2908771
80	2908756			65	2908772
100	2908757			80	2908773

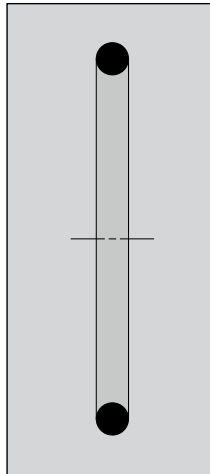


Joint Clamp

1.4301 (AISI 304)		1.4301 (AISI 304)		1.4301 (AISI 304)	
METRIC	ID-NO.	OD-TUBE	ID-NO.	ISO	ID-NO.
10	0076513	1.0"	2020407	8	0076513
15	0076513	1.5"	2117193	10	0076513
20	2020407	2.0"	2117194	15	0076513
25	2020407	2.5"	2117195	20	2020407
32	2020407	3.0"	2117196	25	2020407
40	2117193	4.0"		32	2117193
50	2117194			40	2117193
65	2117195			50	2117195
80	2117196			65	2117196
100				80	2117197



O-Ring Seal



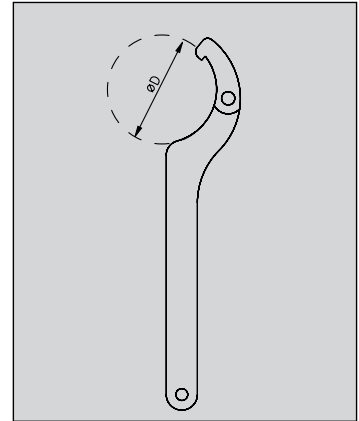
EPDM		EPDM		EPDM	
METRIC	ID-NO.	OD-TUBE	ID-NO.	ISO	ID-NO.
10	2902157	1.0"	2131145	15	2131142
15	2902158	1.5"	2131146	20	0016980
20	2902159	2.0"	2159556	25	2159461
25	2902160	2.5"	2159465	32	2131144
32	2902161	3.0"	2128484	40	2123222
40	0911412	4.0"	2912868	50	2123192
50	2902163			65	2123193
65	2902164			80	2123194
80	2902165				
100	2902166				

ASEPTIC PIPE CONNECTIONS ACCESSORIES

Joint Union Spanner

for slotted nut

ØD	ID-NO.
35-60	0780007
60-90	0713305
90-155	0635516



SÜDMO

HYGIENIC CENTRIFUGAL PUMPS

CONTENTS

10.0 GENERAL INFORMATION HYGIENIC CENTRIFUGAL PUMPS

10.1 HYGIENIC CENTRIFUGAL PUMPS

10.2 ORDER FORM

SÜDMO HYGIENIC CENTRIFUGAL PUMPS

HYGIENIC CENTRIFUGAL PUMPS

DESIGNED FOR CONTINUOUS OPERATION ON 'THIN' LIQUIDS (MILK, WINE, CREAM, BEER, WORT, ETC.). THESE PUMPS ARE SUITABLE FOR LIQUIDS WITH VISCOSITY UP TO 500 mPa.s.

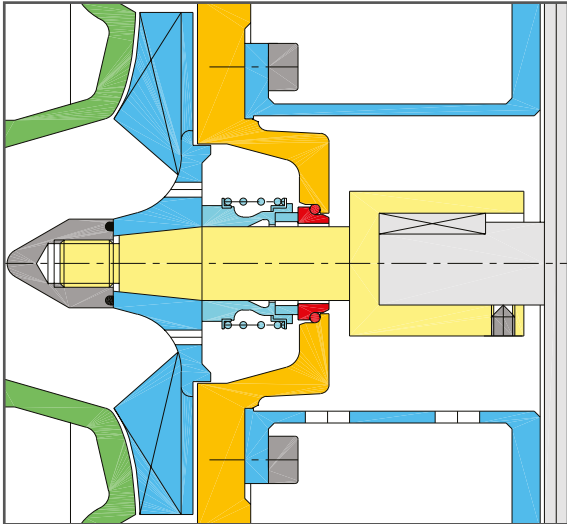
FEATURES	TECHNICAL DATA		MATERIALS
<ul style="list-style-type: none">• Standard electric motors available• Available in accordance with ATEX CE Ex IIG c T3/T4• Standard mechanical seals acc. EN 12756 available• Hygienic construction• Favorable NPSH• Low noise• Easy and low cost maintenance• High efficiency and capacities up to 200 m³/h and discharge pressures up to 13 bar• Suitable for CIP• Wide variety on available options such as heating jackets, frequency controllers, flushed seal, etc.• Available with unions, plane ends or flanges• Designed and certified in accordance with EHEDG recommendations• Product friendly treatment	Motors	0.75 kW up to 55 kW	According European Directive 1935/2004
	Temperature	140 °C Higher temperature seals on request	Wetted parts 1.4404/316L Other parts 1.4301
	Connections	standard male part acc. DIN 11851 other connections SMS, RJT, BS, Tri-clamp DIN 11864 (EHEDG), IDF or flange can be provided	Seals Mechanical CS-SiC, SiC-SiC Elastomers NBR, FKM, EPDM, PTFE
			Flushed seals available FDA Licensing



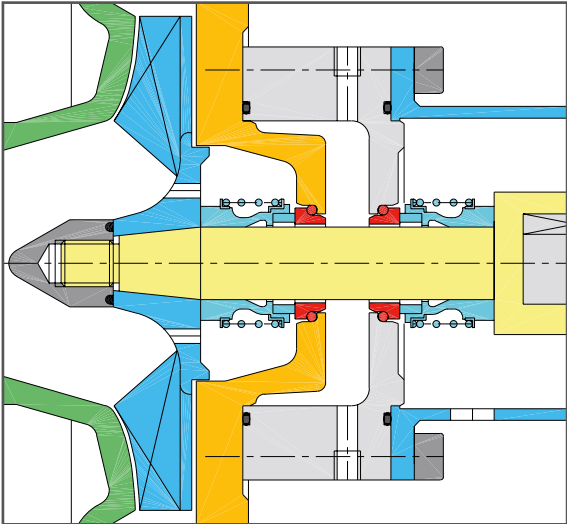
SÜDMO HYGIENIC CENTRIFUGAL PUMPS

HYGIENIC CENTRIFUGAL PUMPS

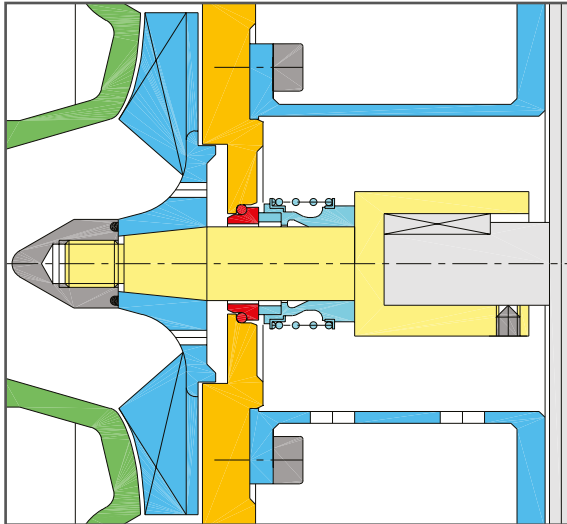
SEAL CONFIGURATIONS



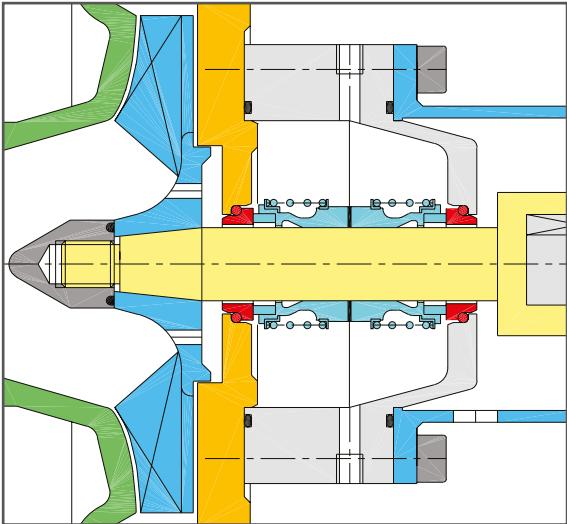
Single working internal mechanical seal



Double working internal mechanical seal with quench (unpressurized cooling liquid)



Single working external mechanical seal



Double working external mechanical seal back to back (pressurized cooling liquid)



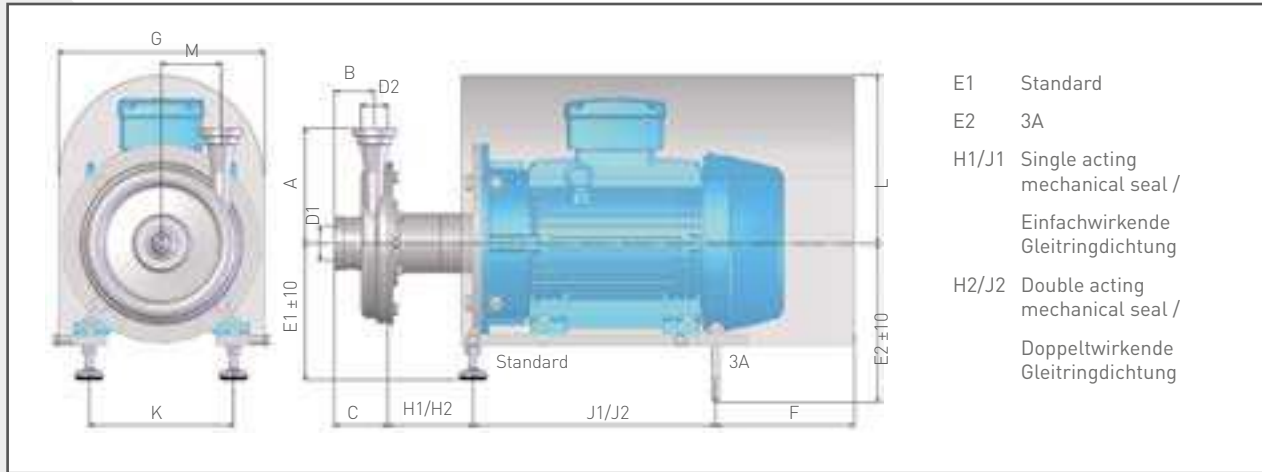
SÜDMO

HYGIENIC CENTRIFUGAL PUMPS

CONTENTS

- 10.1.2 HYGIENIC CENTRIFUGAL PUMPS TYPE HP
- 10.1.4 HYGIENIC CENTRIFUGAL PUMPS TYPE HP-Z
- 10.1.6 ID NUMBERS AND PRICES

SÜDMO HYGIENIC CENTRIFUGAL PUMPS HP SERIES



DESIGN

The HP pump range is a solid stainless steel construction to meet the stringent international regulations in the various fields of hygienic requirements offering:

- Open impeller design
- Favorable NPSH
- **EHEDG approved**
- According ATEX CE Ex IIG c T3

APPLICATION

Designed for applications where high demands for smooth product handling and continuous operation are required.

DUTY

Discharge pressure	Up to 90 m
Flow rates	Up to 130 m ³ /hour
Temperatures	Maximum 140° C Higher temperatures on request

OVERALL DIMENSIONS

MOTOR IEC	MOTOR KW	E1	E2	F	G	H1	H2	J1	J2	K	L
71	0.37 / 0.55	130	191	103	154	48	74	170	195	112	155
80	0.75 / 1.1	160	200	77	210	76	102	215	240	125	160
90S	1.5	170	210	126	210	86	102.5	221	256	140	185
90L	2.2	170	210	101	210	86	102.5	246	281	140	185
100L	3	180	230	144	260	98	108	268	310	160	245
112	4	190	242	137	260	98	108	275	317	190	233
132S	5.5 / 7.5	210	262	213	310	118	108	294	356	216	253
132M	9.2	210	262	175	310	118	108	332	394	216	253
160M	11 / 15	240	290	289	364	150.5	107.5	383	477	254	297
160L	18.5	240	290	245	364	150.5	107.5	427	521	254	297
180M	22	260	310	305	374	150.5	107.5	427	521	279	317
200L	30 / 37	280	330	339	418	150.5	107.5	503	597	318	347
225S	45	305	360	402	496	150.5	107.5	500	594	356	435



SÜDMO HYGIENIC CENTRIFUGAL PUMPS

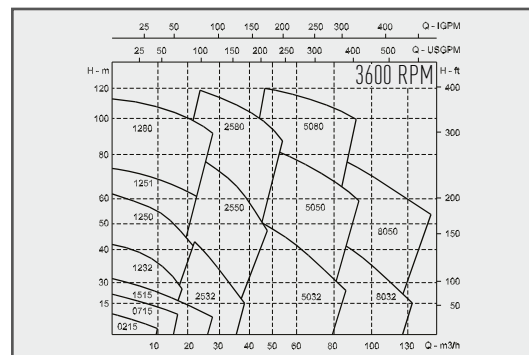
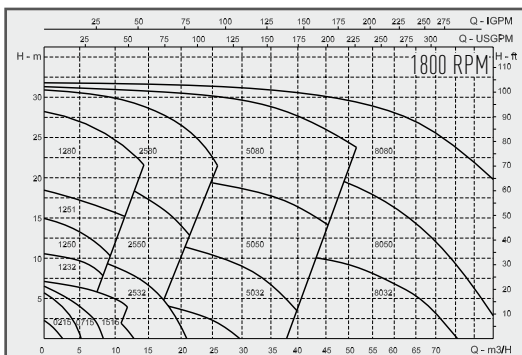
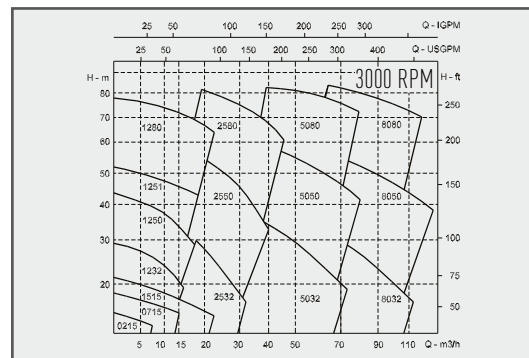
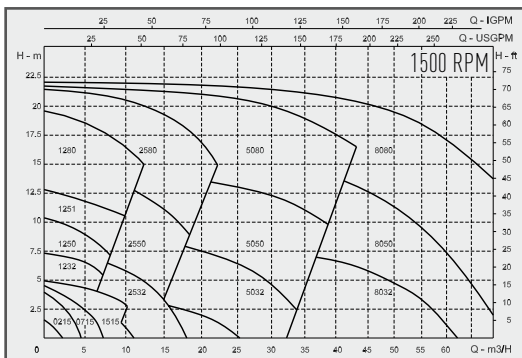
HP SERIES

OVERALL DIMENSIONS

PUMP	D1		D2		A	B	C	M
	OD-TUBE	METRIC	OD-TUBE	METRIC				
HP 0215	1.5	40	1.0	25	93	30	42.0	61
HP 0715	1.5	40	1.0	25	119	55	72.0	70
HP 1515	2.0	50	1.5	40	162	55	74.5	70
HP 1232	2.0	50	1.5	40	172	70	89.5	90
HP 2532	2.5	65	2.0	50	188	70	91.5	90
HP 5032	3.0	65	2.5	65	200	70	95.5	90
HP 8032	4.0	100	3.0	80	215	70	105.0	90
HP 1250	2.0	50	1.5	40	187	70	89.5	105
HP 1251	2.0	50	1.5	40	187	70	89.5	105
HP 2550	2.5	65	2.0	50	203	70	93.0	105
HP 5050	3.0	80	2.5	65	220	70	98.0	105
HP 8050	4.0	100	3.0	80	220	70	101.5	105
HP 1280	2.0	50	1.5	40	197	70	89.0	130
HP 2580	2.5	65	2.0	50	213	70	91.5	130
HP 5080	3.0	80	2.5	65	240	70	97.5	130
HP 8080	4.0	100	3.0	80	240	70	100.5	130

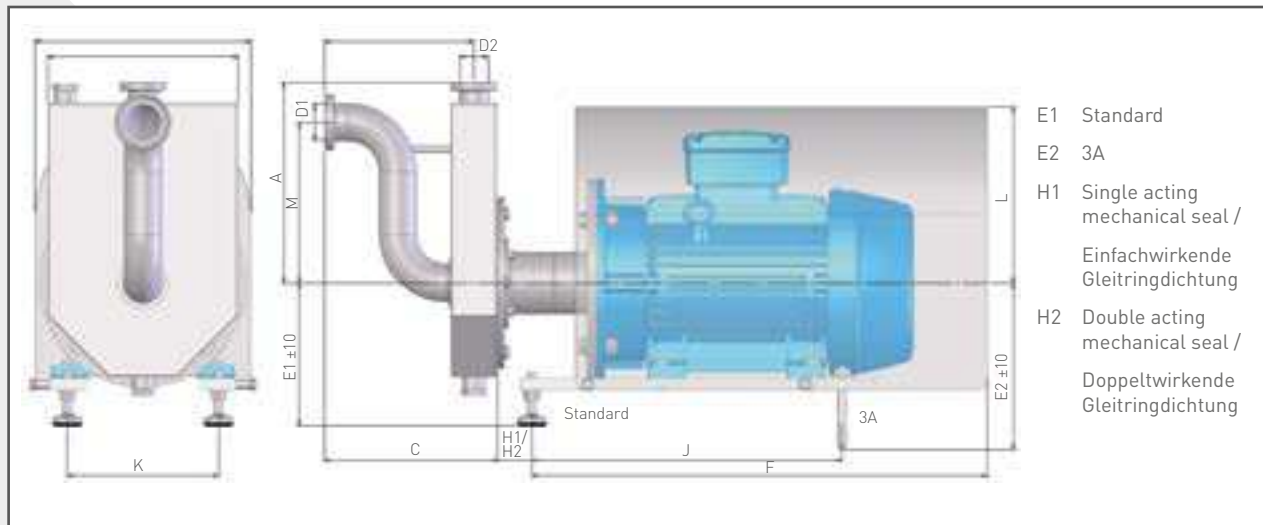


Impeller HP Series - polished



SÜDMO HYGIENIC CENTRIFUGAL PUMPS

HP-Z SERIES



- E1 Standard
- E2 3A
- H1 Single acting mechanical seal /
Einfachwirkende Gleitringdichtung
- H2 Double acting mechanical seal /
Doppeltwirkende Gleitringdichtung

DESIGN

The HP-Z self priming pump is specifically designed for handling entrained air at high capacities. The impeller is of open construction and all wetted parts are constructed with stainless steel (DIN 1.4404/316L).

APPLICATION

The design is suitable for CIP and scavenge applications. Additionally the pump can be applied on venting of suction lines and the handling of entrained air.

DUTY

Discharge pressure Up to 60 m
Flow rates Up to 130 m³/hour
Temperatures Maximum 140° C
Higher temperatures on request

OVERALL DIMENSIONS

MOTOR IEC	MOTOR KW	E1	E2	F	G	H1	H2	J	K	L
80	0.75 / 1.1	190	210	317	210	51.5	102.5	240 / 240	125	160
90	1.5 / 2.2	200	205	382	210	51.5	102.5	256 / 281	140	185
100	3	185	215	454	260	56.5	107.5	310	160	233
112	4	190	225	454	260	56.5	107.5	317	190	233
132	5.5 / 7.5 / 9.2	210	245	569	310	56.5	107.5	356 / 356 / 394	216	253
160	11 / 15 / 18.5	240	280	766	364	56.5	107.5	477 / 477 / 521	254	297
180	22	260	300	826	374	56.5	107.5	521	279	317
200	30	280	320	936	418	56.5	107.5	597 / 597	318	347
225S	45	305	350	996	496	56.5	107.5	594	356	435

OVERALL DIMENSIONS

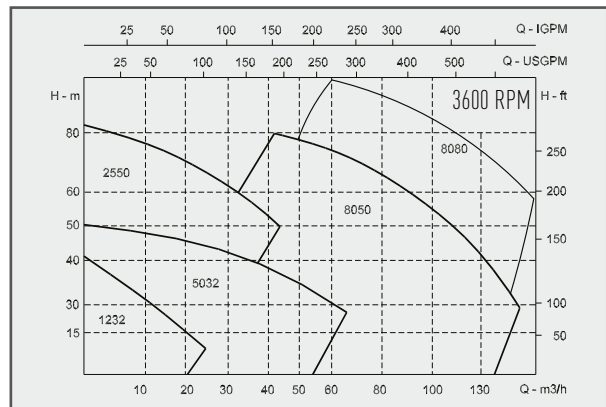
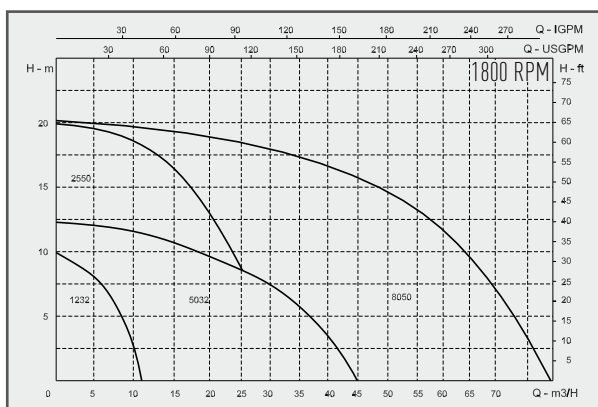
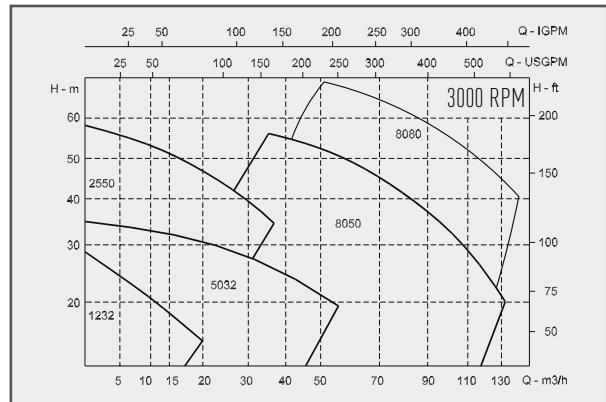
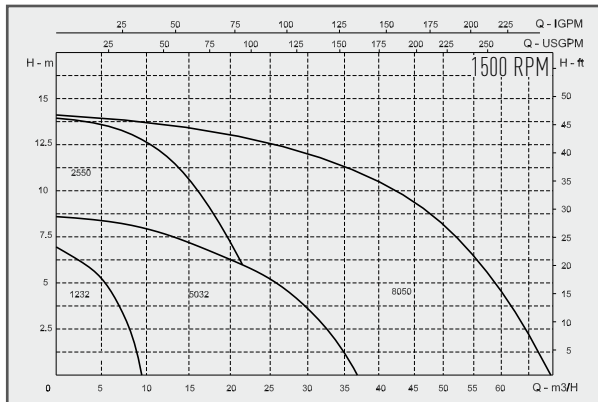
PUMP	D1		D2		A	B	C	M	N
	OD-TUBE	METRIC	OD-TUBE	METRIC					
HP-Z 1232	2.0	50	1.5	40	310	215	252	254	275
HP-Z 5032	3.0	80	2.5	65	310	275	316	254	295
HP-Z 2550	2.5	65	2.0	50	340	250	290	270	320
HP-Z 8050	4.0	100	3.0	80	380	308	355	270	340
HP-Z 8080	4.0	100	3.0	80	380	307	354	270	390



SÜDMO HYGIENIC CENTRIFUGAL PUMPS HP-Z SERIES



Impeller HP-Z Series



SÜDMO HYGIENIC CENTRIFUGAL PUMPS

HP SERIES

Hygienic Centrifugal Pumps Type HP

PUMP/ PUMPE	MOTOR SIZE	FRAME	SINGLE SEAL	DOUBLE SEAL
TYPE	KW	2-POLE	ID-NO.	ID-NO.
HP-0215	0,55	71	B11237	o.r. / a. A. -
HP-0715 max imp.130	0,75	80	B14918	o.r. / a. A.
	1,10	80	B14650	o.r. / a. A.
	1,50	90S	B14805	o.r. / a. A.
	2,20	90L	B14878	o.r. / a. A.
HP-1232 max imp.170	0,75	80	B14917	o.r. / a. A.
	1,10	80	B14891	o.r. / a. A.
	1,50	90S	B14912	o.r. / a. A.
	2,20	90L	B14802	o.r. / a. A.
	3,00	100L	B14930	o.r. / a. A.
	4,00	112M	B14889	o.r. / a. A.
HP-1250 max imp.210	5,50	132S	B14853	o.r. / a. A.
	0,75	80	B14642	o.r. / a. A.
	1,10	80	B14651	o.r. / a. A.
	1,50	90S	B14706	o.r. / a. A.
	2,20	90L	B14715	o.r. / a. A.
	3,00	100L	B14658	o.r. / a. A.
HP-1251 max imp.210	4,00	112M	B14839	o.r. / a. A.
	5,50	132S	B14705	o.r. / a. A.
	7,50	132S	B14670	o.r. / a. A.
	0,75	80	B14626	o.r. / a. A.
	1,10	80	B11241	o.r. / a. A.
	1,50	90S	B14905	o.r. / a. A.
	2,20	90L	B14657	o.r. / a. A.
	3,00	100L	B14680	o.r. / a. A.
	4,00	112M	B14916	o.r. / a. A.
	5,50	132S	B14863	o.r. / a. A.
HP-1280 max imp.260	7,50	132S	B14709	o.r. / a. A.
	9,20	132M	B14825	o.r. / a. A.
	11,00	160M	B14911	o.r. / a. A.
	15,00	160M	B14824	o.r. / a. A.
	3,00	100L	B14673	o.r. / a. A.
	4,00	112M	B14883	o.r. / a. A.
	5,50	132S	B14625	o.r. / a. A.
	7,50	132S	B14722	o.r. / a. A.
	9,20	132M	B14831	o.r. / a. A.
	11,00	160M	B14679	o.r. / a. A.
HP-1515, max imp.130	15,00	160M	B14678	o.r. / a. A.
	18,50	160L	B14906	o.r. / a. A.
	22,00	180M	B14652	o.r. / a. A.
	0,75	80	B11226	o.r. / a. A.
	1,10	80	B14796	o.r. / a. A.
	1,50	90S	B14712	o.r. / a. A.
HP-1515, max imp.130	2,20	90L	B14654	o.r. / a. A.
	3,00	100L	B14890	o.r. / a. A.
	4,00	112M	B14803	o.r. / a. A.

All prices based in seal(s) Ca-Sic / EPDM with standard motor IE3 (2pole 3000rpm; except HP-Z8080 = 4 pole 1500 rpm).



Hygienic Centrifugal Pumps
Type HP

PUMP	MOTOR SIZE	FRAME	SINGLE SEAL	DOUBLE SEAL
TYPE	KW	2-POLE	ID-NO.	ID-NO.
HP-2532 max imp.170	0,75	80	B14864	o.r. / a.A.
	1,10	80	B14841	o.r. / a.A.
	1,50	90S	B14693	o.r. / a.A.
	2,20	90L	B14851	o.r. / a.A.
	3,00	100L	B14875	o.r. / a.A.
	4,00	112M	B14801	o.r. / a.A.
	5,50	132S	B14884	o.r. / a.A.
HP-2550 max imp.210	1,10	80	B14655	o.r. / a.A.
	1,50	90S	B14910	o.r. / a.A.
	2,20	90L	B14726	o.r. / a.A.
	3,00	100L	B14763	o.r. / a.A.
	4,00	112M	B14717	o.r. / a.A.
	5,50	132S	B14909	o.r. / a.A.
	7,50	132S	B14908	o.r. / a.A.
	9,20	132M	B14672	o.r. / a.A.
	11,00	160M	B14627	o.r. / a.A.
15,00	160M	B14703	o.r. / a.A.	
HP-2580 max imp.260	4,00	112M	B14630	o.r. / a.A.
	5,50	132S	B14869	o.r. / a.A.
	7,50	132S	B14677	o.r. / a.A.
	9,20	132M	B14629	o.r. / a.A.
	11,00	160M	B14868	o.r. / a.A.
	15,00	160M	B14867	o.r. / a.A.
	18,50	160L	B14793	o.r. / a.A.
22,00	180M	B14838	o.r. / a.A.	
HP-5032 max imp.170	1,50	90S	B14643	o.r. / a.A.
	2,20	90L	B14888	o.r. / a.A.
	3,00	100L	B14826	o.r. / a.A.
	4,00	112M	B14929	o.r. / a.A.
	5,50	132S	B14896	o.r. / a.A.
	7,50	132S	B14861	o.r. / a.A.
	9,20	132M	B14800	o.r. / a.A.
	11,00	160M	B14895	o.r. / a.A.
15,00	160M	B14719	o.r. / a.A.	
HP-5050 max imp.210	2,20	90L	B11231	o.r. / a.A.
	3,00	100L	B14881	o.r. / a.A.
	4,00	112M	B14720	o.r. / a.A.
	5,50	132S	B14893	o.r. / a.A.
	7,50	132S	B14822	o.r. / a.A.
	9,20	132M	B14700	o.r. / a.A.
	11,00	160M	B14923	o.r. / a.A.
	15,00	160M	B14653	o.r. / a.A.
	18,50	160L	B14714	o.r. / a.A.
	22,00	180M	B14699	o.r. / a.A.

All prices based in seal(s) Ca-Sic / EPDM with standard motor IE3 (2pole 3000rpm; except HP-28080 = 4 pole 1500 rpm).

SÜDMO HYGIENIC CENTRIFUGAL PUMPS

HP SERIES

Hygienic Centrifugal Pumps Type HP

PUMP	MOTOR SIZE	FRAME	SINGLE SEAL	DOUBLE SEAL
TYPE	KW	2-POLE	ID-NO.	ID-NO.
HP-5080 max imp.260	5,50	132S	B14676	o.r. / a.A.
	7,50	132S	B14662	o.r. / a.A.
	9,20	132M	B14870	o.r. / a.A.
	11,00	160M	B14707	o.r. / a.A.
	15,00	160M	B14661	o.r. / a.A.
	18,50	160L	B14792	o.r. / a.A.
	22,00	180M	B14820	o.r. / a.A.
	30,00	200L	B14660	o.r. / a.A.
	37,00	200L	B11229	o.r. / a.A.
45,00	225S/M	B11228	o.r. / a.A.	
HP-8032 max imp.170	2,20	90L	B11236	o.r. / a.A.
	3,00	100L	B14862	o.r. / a.A.
	4,00	112M	B14821	o.r. / a.A.
	5,50	132S	B14860	o.r. / a.A.
	7,50	132S	B14859	o.r. / a.A.
	9,20	132M	B14799	o.r. / a.A.
	11,00	160M	B14858	o.r. / a.A.
	15,00	160M	B14894	o.r. / a.A.
	18,50	160L	B14675	o.r. / a.A.
	22,00	180M	B14718	o.r. / a.A.
HP-8050 max imp.210	2,20	90L	B14669	o.r. / a.A.
	3,00	100L	B14725	o.r. / a.A.
	4,00	112M	B14710	o.r. / a.A.
	5,50	132S	B14785	o.r. / a.A.
	7,50	132S	B14695	o.r. / a.A.
	9,20	132M	B14702	o.r. / a.A.
	11,00	160M	B14865	o.r. / a.A.
	15,00	160M	B14723	o.r. / a.A.
	18,50	160L	B14701	o.r. / a.A.
	22,00	180M	B11232	o.r. / a.A.
	30,00	200L	B14788	o.r. / a.A.
	37,00	200L	B11230	o.r. / a.A.
HP-8080 max imp.260	4,00	112M	B14892	o.r. / a.A.
	5,50	132S	B14933	o.r. / a.A.
	7,50	132S	B14866	o.r. / a.A.
	9,20	132M	B00869	o.r. / a.A.
	11,00	160M	B14885	o.r. / a.A.
	15,00	160M	B14787	o.r. / a.A.
	18,50	160L	B11242	o.r. / a.A.
	22,00	180M	B00868	o.r. / a.A.
	30,00	200L	B14786	o.r. / a.A.
	37,00	200L	B14887	o.r. / a.A.
	45,00	225S/M	B14886	o.r. / a.A.

All prices based in seat(s) Ca-Sic / EPDM with standard motor IE3 (2pole 3000rpm; except HP-Z8080 = 4 pole 1500 rpm).



SÜDMO HYGIENIC CENTRIFUGAL PUMPS

HP-Z SERIES LIQUID RING SCAVENGE PUMP

Hygienic Centrifugal Pumps Type HP-Z / ZA

PUMP	MOTOR SIZE	FRAME	SINGLE SEAL	DOUBLE SEAL
TYPE	KW	2-POLE	ID-NO.	ID-NO.
HP-Z1232	0,75	80	B00650	o.r. / a.A.
	1,1	80	B00686	o.r. / a.A.
	1,5	90S	B11235	o.r. / a.A.
	2,2	90L	B11214	o.r. / a.A.
	3,0	100L	B11234	o.r. / a.A.
	4,0	112M	B01272	o.r. / a.A.
HP-Z5032	1,5	90S	B00685	o.r. / a.A.
	2,2	90L	B00684	o.r. / a.A.
	3,0	100L	B00683	o.r. / a.A.
	4,0	112M	B00681	o.r. / a.A.
	5,5	132S	B11233	o.r. / a.A.
	7,5	132S	B00658	o.r. / a.A.
	9,2	132M	B00689	o.r. / a.A.
	11,0	160M	B00680	o.r. / a.A.
HP-Z2550	15,0	160M	B00679	o.r. / a.A.
	2,2	90L	B00682	o.r. / a.A.
	3,0	100L	B00678	o.r. / a.A.
	4,0	112M	B00677	o.r. / a.A.
	5,5	132S	B00676	o.r. / a.A.
	7,5	132S	B11217	o.r. / a.A.
	9,2	132M	B00659	o.r. / a.A.
	11,0	160M	B00675	o.r. / a.A.
HP-Z8050	15,0	160M	B00674	o.r. / a.A.
	5,5	132S	B00673	o.r. / a.A.
	7,5	132S	B00672	o.r. / a.A.
	9,2	132M	B00671	o.r. / a.A.
	11,0	160M	B00468	o.r. / a.A.
	15,0	160M	B11209	o.r. / a.A.
	18,5	160L	B11208	o.r. / a.A.
	22,0	180M	B00657	o.r. / a.A.
HP-Z8080 (only available at 1500 rpm)	30,0	200L	B00661	o.r. / a.A.
	37,0	200L	B00649	o.r. / a.A.
	3	100L	B11207	o.r. / a.A.
	4,0	112M	B12612	o.r. / a.A.
	5,5	132S	B12611	o.r. / a.A.
	7,5	132S	B12610	o.r. / a.A.
	9,2	132M	B11216	o.r. / a.A.

All prices based in seal(s) Ca-SiC / EPDM with standard motor IE3 (2pole 3000rpm; except HP-Z8080 = 4 pole 1500 rpm).

SÜDMO HYGIENIC CENTRIFUGAL PUMPS

ORDER FORM

Designing pumps requires exact specifications, so thanks for giving us as much detailed information as possible.

CUSTOMER DATA

Customer	
Customer No.	
Address	
Email	
Phone	
Project Name, No.	

PUMP DATA

Capacity [m ³ /h]	
Pump Head [mWC]	
xxx	
Product	
Product Temperature [°C]	
Density [kg/m ³]	
Viscosity [Pas]	
Kind of Application	
Pump Location on Site	
Site Elevation (Height above Sea Level) [m]	
Pump must be Self-Priming [yes/no]	
Port Connections (Standard: Metric DN 11851 SC Threaded Male)	
Voltage [V]	
Frequency [Hz]	
PTC Sensor Required [yes/no]	
Ex-Proof Required [yes/no]	
Ex-Proof Classification	
Trolley required [yes/no]	
Heating/Cooling Jacket Required [yes/no]	
Drain Required [yes/no]	
Shroud Required [yes/no]	

MECHANICAL SEAL AND GASKET MATERIALS

Single (Standard) or Double Mechanical Seal	
If Single: Internal (Standard) or External Mech. Seal	
If Double: Buffer Liquid Pressureless or Pressurized	
Primary Seal Material: Carbon/SIC (Standard) / SIC/SIC / Others	
Secondary Seal Material: (if Case of Double Mech. Seal): Carbon/SIC (Standard) / SIC/SIC / Others	
Pump Gasket: EPDM (Standard) / FKM / NBR	

You can either fax the form to: **+49 9081 803 154**
or send it via email to: **info.suedmo@pentair.com**



SÜDMO

ADDITIONAL SERVICES

CONTENTS

- 11.2 CERTIFICATES AND REPORTS
- 11.5 E-POLISHING
- 11.6 HELP
- 11.7 LEGAL NOTICE



SÜDMO

ADDITIONAL SERVICES

CONTENTS

11.2 CERTIFICATES, DECLARATIONS AND REPORTS

11.5 E-POLISHING

11.6 HELP

11.7 LEGAL NOTICE

SÜDMO ADDITIONAL SERVICES

CERTIFICATES, DECLARATIONS AND REPORTS

DIN ISO 9001

Quality takes top priority for Pentair Südmo and it therefore goes without saying that we successfully apply a quality management commensurate with ISO 9001:2000. Within the scope of certification, the objective is of course not only to maintain a quality standard, but also to successfully improve on it. Should you have any suggestions in this regard, please do not hesitate to communicate these to us.

Pressure Equipment Directive and EC Machinery Directive

You just have to be able to rely on elementary things and the classification of Pentair Südmo valves within the Pressure Equipment Directive has consequently been performed in a consistent manner. Corresponding declarations of conformity already form part of our operating instructions. You will also find manufacturer's declarations in respect of the EC Machinery Directive included in our operating instructions.

FDA

Our standard sealing materials such as EPDM, HNBR, FKM, VMQ and PTFE naturally have to be suitable for use in the beverage and food sector as well as in the cosmetics and pharmaceutical industry. Hence, the composition of these materials according to FDA specifications is essential. We will gladly also supply you with the relevant order-related documents regarding the sealing materials used.

EHEDG

Good cleanability is a general requirement for our designs. Apart from our experience, calculations and internal tests, we also have our valve designs tested by external service providers in accordance with the EHEDG criteria. Thus, an objective assessment is also possible.

EXPLOSION PROTECTION

Special analyses where necessary for the use of Pentair Südmo fittings in explosive areas. In this respect, we are also able to provide both the necessary documents and pertinent advice.

3A-STANDARD AND PMO

In order to take advantage of the USA as one of the largest export markets, meeting market-specific requirements such as 3A and PMO is part of our day-to-day business. Thanks to our close cooperation with Südmo North America, we also have direct on-site access to the market enabling Pentair Südmo to optimally align its product range with market requirements.

GOST-R

As a rule, a GOST-R certificate is necessary for the import to and use of machinery and equipment in Russia. Pentair Südmo components are also subject to this compulsory certification, which is why we naturally offer the order-related possibility to supply our components to the states of the Russian Federation pursuant to GOST-R.

CRN

Great efforts were necessary to obtain the Canadian Registration Number (CRN). This very demanding certification makes great demands on safety. Consequently, in addition to various calculations, a representative pressure test regarding the burst safety of all components applied for was necessary. Here as well, all requirements were met and Pentair Südmo was registered in the country's individual provinces.

APZ 3.1

For consistent batch traceability back to the raw material, stamping and issue of inspection certificate APZ 3.1 is possible.

Of course we offer this service too, you will find the prices therefore on page 11.1.4.

If you have any questions in respect of any of the points mentioned above or if you require any documents and information in this regard, please get in touch with your contact person at the sales service center or your local agent, where you will be gladly offered assistance. We take pleasure in offering you Pentair Südmo's entire range of services.



SÜDMO ADDITIONAL SERVICES

CERTIFICATES, DECLARATIONS AND REPORTS

Certificates

SERVICE	PRICE PER ORDER POSITION
Declaration of compliance with the order "type 2.1" acc. to DIN EN 10204	
Test report "type 2.2" acc. to DIN EN 10204	
Inspection certificate "type 3.1" acc. to DIN EN 10204	
Inspection certificate "type 3.2" acc. to DIN EN 10204	



SÜDMO ADDITIONAL SERVICES

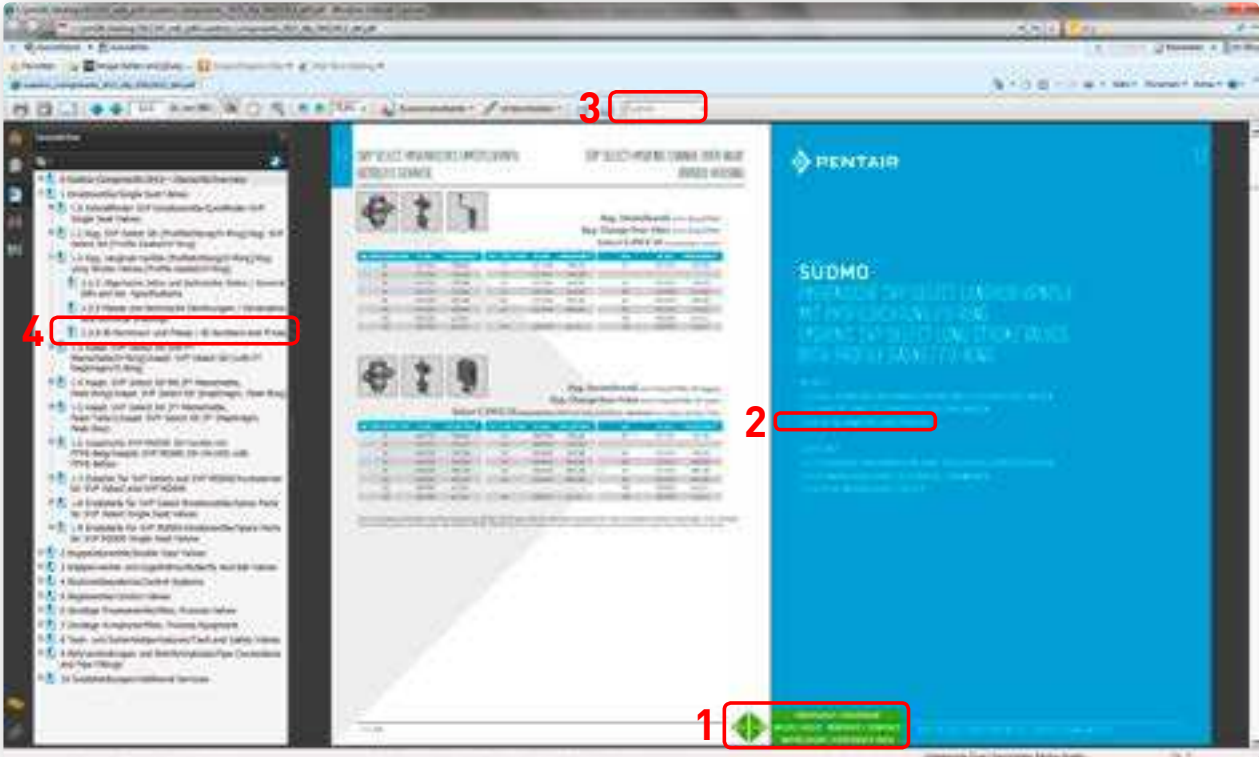
CERTIFICATES, DECLARATIONS AND REPORTS

E-Polishing

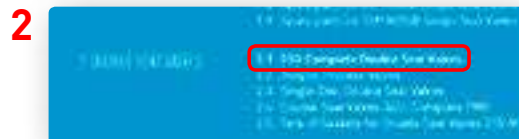
	COMPONENT	TYPE	PRICE PER PIECE
1	Single Seat Valves	Generell	
2.1 / 2.2	Double Seat Valves and Aseptic Process Valves	Generell	
2.3	SD-Valves	Generell	
3.1	Butterfly Valves	Others K 587 / K 667 / K 687	
3.2	Leakage Butterfly Valves	Others L 587 / L 667 / L 687	
3.3	Ball Vaves	Others H 587 / H 667 / H 687	
5.1	Control Valves	Generell	
6.1	Constant Pressure Valves	Generell	
6.2	Non-Return Valves	P 740 / P741 / P 750	
7.1	Sampling Valves Probenahmeventile	Generell	
7.2 / 7.3	Inline-System und Sight Glasses	Inline Housings Miscellaneous	
7.4	Angle Type Strainers	Generell	
8.1	Vacuum and Safety Valves	Generell	
9.1 / 9.3	Pipe Connections	Generell	
9.2	Pipe Fittings	Generell	

SÜDMO COMPONENTS HELP

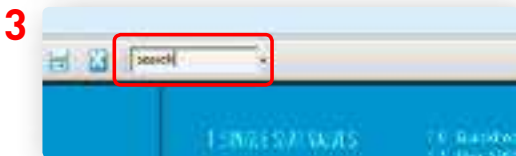
PDF NAVIGATION For full PDF control while watching this document, please use the latest version of Adobe® Reader®. This software is available for download under www.adobe.com/downloads.



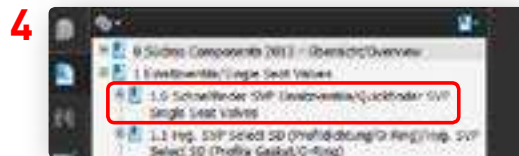
1 Main Navigation



2 Navigation via the chapter overviews is possible as well (also in the SVP Quickfinder)



3 Searchfunktion (full text/ID-No.)



4 Navigation via the bookmarks panel is possible as well

PLEASE NOTICE
Display may vary due to different operating systems or viewing tools/browsers.



SÜDMO COMPONENTS

LEGAL NOTICE

LEGAL NOTICE

Release date: 01.11.2015

The price list is valid from 01.03.2015.
All previous price lists become null and void.

All prices in Euro per piece unless otherwise noted.

Prices, ID-numbers and technical specifications meet the status quo.

The specifications made within this publication and the resulting documents like images, drawings, prices and technical specifications and application recommendations are without obligation.

The electronic or written specifications and information do not excuse the user from verifying our delivered products for the suitability for the intended application. All information is subject to alteration at any time and without prior notice.

Errors and misprints excepted - no responsibility is taken for the correctness of this information.

We operate solely according to our standard terms and conditions of sale, latest edition.

All rights reserved. Copyright on all content:

Pentair Südmo GmbH
Industriestrasse 7
D-73469 Riesbürg
Germany

T +49 9081 8030 · F +49 9081 803 158

[E info.suedmo@pentair.com](mailto:info.suedmo@pentair.com)
www.suedmo.de

Place of Business: Riesbürg, Germany
Managing Director: Gunter Sauerwald
District Court Ulm - HRB 520272
Ust. ID-Nr.: DE 812560828

Bank of America N.A., Frankfurt
Kto.-Nr. 19634012
BLZ 500 109 00
SWIFT-CODE: BOFADEFX
IBAN: DE38 5001 0900 0019 6340 12



PENTAIR SÜDMO GMBH
INDUSTRIESTRASSE 7, 73649 RIESBÜRG, GERMANY WWW.SUEDMO.DE

All Pentair trademarks and logos are owned by Pentair. All other brand or product names are trademarks or registered marks of their respective owners. Because we are continuously improving our products and services, Pentair reserves the right to change specifications without prior notice. Pentair is an equal opportunity employer. Components E/D-2/15 © 2015 Pentair - All Rights Reserved.

