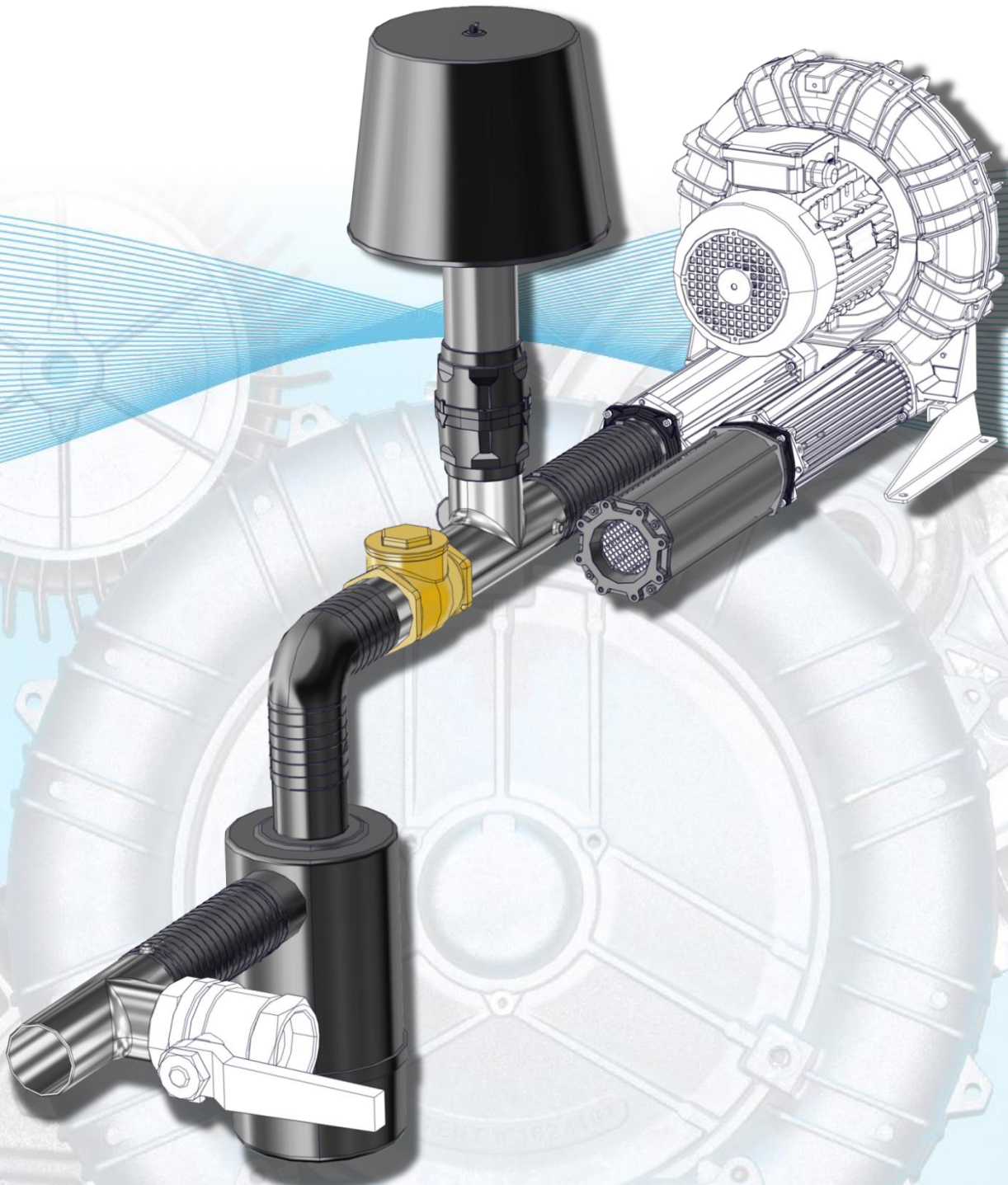


ACCESSORIES FOR BLOWERS

DS_ACC_EN_20-04



ACCESSORIES FOR SIDE CHANNEL BLOWERS - EXHAUSTERS - Technical data

COMPANY WITH
QUALITY SYSTEM
CERTIFIED BY DNV GL
= ISO 9001 =

Model	DESCRIPTION	NOTES
CA	MANIFOLD CA for FA /FL filters	Use only in suction, for installing directly on the silencer housing oriented horizontally.
CD	CARTRIDGE CDF	Spare for filter FD.
CF	CARTRIDGE CF	Spare for filter FL.
CK	MANIFOLD FOR K/e series blowers	For installing the silencer housing vertically on the cover. In this case the blind flange will be installed on the body.
CL	CARTRIDGE CL	Spare for filter FC.
CV	CARTRIDGE CV	Spare for filter FV.
FA	SUCTION FILTER FOR INTERIORS	Direct fitting to the blower is possible via SECTION TR on the threaded flange or via MANIFOLD CA for filters.
FC	IN LINE CARTRIDGE CYCLONE FILTER	Sleeves with GAS external thread.
FD	CARTRIDGE CYCLONE DOUBLE FILTER	Hose sleeve connection
FL	SUCTION CARTRIDGE FILTER	Direct fitting to the blower is possible via SECTION TR on the threaded flange or via MANIFOLD CA for filters.
FM	FLEXIBLE SLEEVE	It makes connection of the blower to the plant flexible and use with HOSE SLEEVE MP and PK is foreseen.
FS	BRACKET	Filter FC accessory for rigid fixing.
FSD	BRACKET	Filter FD accessory for rigid fixing.
FV	IN LINE CARTRIDGE FILTER	Sleeves with GAS internal thread.
IH	SOUNDPROOF CABIN	On models IH1, IH3, IH4 and IH5 fixing of the blower and connection via internal kit included is foreseen. Fixing of cabins to the floor is not foreseen.
IN	DUST LOAD INDICATORS	Available optical or electric version
IP	INTAKE PROTECTION	Also suitable for protecting the inlet of RELIEF VALVE VRL.
MC	PRESSURE GAUGE	For reading the pressure at the discharge. It is installed directly on VALVE HOLDER PV and via adapter (G1/4" - G1/8") on the silencer housing.
MP	HOSE SLEEVE	It replaces THREADED FLANGE TF for use of flexible sleeve FM.
MV	VACUUM GAUGE	For reading the inlet pressure. It is installed directly on VALVE HOLDER PV and via adapter (G1/4" - G1/8") on the silencer housing.
NP	PIPE NIPPLE	Fitting for direct connection of the FV filters to the blower
PK	HOSE SLEEVE	For using FLEXIBLE SLEEVE FM without the silencer housing.
PV	VALVE HOLDER PV	For using RELIEF VALVE VRL and for fitting to the blower via THREADED FLANGE TF (GAS) or via FLEXIBLE SLEEVE FM.
RV	VACUUM BREAKER VALVE	For installing on a derivation of the plant to limit the pressure at the blower inlet.
SB	SOUNDPROOF CABINET BASE	Soundproof cabinet base for model SC9, SC10
SC	SOUNDPROOF CABIN	On models SC5, SC6, SC8 fixing of the blower and connection via internal kit included is foreseen. Fixing of cabins to the floor is not foreseen. The remaining models have an open bottom and are arranged for fixing to the floor.
SI	IN LINE SUPPLEMENTARY SILENCER	For installing directly on THREADED FLANGE TF (GAS) with atmospheric pressure.
SS	FINAL SUPPLEMENTARY SILENCER	For installing directly on THREADED FLANGE TF at the discharge with atmospheric pressure.
TF	THREADED FLANGE	Supplied as standard on all blowers.
TR	SECTION	FILTER FA and FL accessory (spare for FILTER FL).
VC	NON-RETURN VALVE	Supplied separately and for installing on the plant duct.
VM	BALL VALVE	Supplied separately and for installing in branch to the main pipe
VN	GATE VALVE	Supplied separately and for installing in branch to the main pipe
VLA	RELIEF VALVE	For installing on a derivation of the plant to limit the pressure at the blower discharge.
VK	FLANGE VK	For installing RELIEF VALVE VRL replacing the blind flange on the main components of the blower.
VRL	RELIEF VALVE	For fitting directly to the blower via VALVE HOLDER PV or via FLANGE VK.

For more information and details, see the data sheet of the individual accessories in this document.

GENERAL TABLE OF ACCESSORIES for BLOWERS type MS / MD

	MS						MD						
	06R	K03	K04	K05 K06	K07/e07 K75 K08/e08	K09 K10 K11/e11 K12	10DL	15DH	R20 R30	R40	K07R K08R	K09 K10	K11 K12
∅	1"	1" 1/4	1" 1/2	2"	3"	4"	1/2"	3/4"	1" 1/4		2"	4"	
DN	25	32	40	50	80	100	15	20	32		50	100	
CA	N.A.	4K ⁽¹⁾	5K ⁽²⁾	6V	8	9 9L ⁽⁹⁾	N.A.	N.A.	4V	4K ⁽¹⁾	6V	9 9L ⁽⁹⁾	
CD	-	-	5	6	8	9	-	-	-	-	6	9	
CF	4	4	5	6	8	9	1	4	4	-	6	9	
CK	N.A.	-	5	6	8	9	N.A.	N.A.	N.A.	N.A.	N.A.	N.A.	
CL	-	-	5	6	8	9	-	-	-	-	6	9	
CV	-	-	5	6	6	9	-	-	-	-	6	9	
FA	-	4	5	6	8	9	-	-	4	-	6	9	
FC	-	-	5	6	8	9	-	-	-	-	6	9	
FD	-	-	5	6	8	9	-	-	-	-	6	9	
FL	3	4	5	6	8	9	1	2	4	-	6	9	
FM	3	4	5	6	8	9	1	2	4	-	6	9	
FS/FSD	-	-	5	6	8	9	-	-	-	-	6	9	
FV	-	4	5	6	8	9	-	-	4	-	6	9	
IH	-	1 ⁽¹⁾	3 ⁽²⁾	5	-	-	-	-	4 ⁽¹⁾	-	-	-	
IN	-	-	50	50	50	50	-	-	-	-	50	50	
IP	-	4 6 ⁽⁴⁾	5 6 ⁽⁴⁾	6	6 ⁽⁴⁾ 8	6 ⁽⁴⁾ 8 ⁽⁵⁾ 9	-	-	4 6 ⁽⁴⁾	-	6	6 ⁽⁴⁾ 8 ⁽⁵⁾ 9	
MC	040	040	040	040	040	040	040	040	040	040	050	050	
MP	3	4V	5V	6	8	9	1	2	4V	-	6	9	
MV	020	020	020	020	020	020	020	020	020	020	020	020	
NP	-	4	5	6	8	9	-	-	4	-	6	9	
PK	N.A.	-	5	6	8	9	N.A.	N.A.	N.A.	-	6A	9	
PV	-	56 ⁽³⁾⁽⁷⁾	56	66	86 ⁽⁴⁾ 88	96 ⁽⁴⁾ 98 ⁽⁵⁾ 99	-	-	56 ⁽³⁾⁽⁷⁾	-	66	96 ⁽⁴⁾ 98 ⁽⁵⁾	
RV	3 ⁽⁸⁾	-	-	-	-	-	3 ⁽⁸⁾	3 ⁽⁸⁾	-	-	-	-	
SC	-	-	-	-	8M-1	9M-1	-	-	-	-	6M-2	9M-1	
SI	-	4	5	6	8	9	-	-	4	-	6	9	
SS	-	4	5	6	8	9	-	-	4	-	6	9	
TF	-	4V	5V	6	8	9	-	-	4V 5V ⁽³⁾	-	6	9	
TR	-	4	5	6	8	9	-	-	4	-	6	9	
VC	3	4	5	6	8	9	1	2	4 5 ⁽⁴⁾	-	6	9	
VLA	3 ⁽⁸⁾	-	-	-	-	-	3 ⁽⁸⁾	3 ⁽⁸⁾	-	-	-	-	
VK	N.A.	N.A.	5	6	6A ⁽⁴⁾ 8	9	N.A.	N.A.	N.A.	-	6A ⁽⁶⁾	9 ⁽⁶⁾	
VRL	-	6	6	6	6 8 8	6 8 9	-	-	6	-	6 6HP	6 6HP	6 6HP 8

- (1) Manifold CA4V is also suitable if installation in soundproof cabin IH is foreseen
- (2) Manifold CA5V is also suitable if installation in soundproof cabin IH is foreseen.
- (3) The use of valve VRL6 is required
- (4) Necessary if valve VRL6 is used
- (5) Necessary if valve VRL8 is used
- (6) Applicable only at the inlet for blowers K-MD
- (7) It's necessary to use the reduction 25RID-FM54
- (8) Accessory to be installed on the system
- (9) Necessary if soundproof cabinet is used

GENERAL TABLE OF ACCESSORIES for BLOWERS type TS/TD

	TS				TD				
	K05-66	K05 K06	K07/e07 K08/e08	K09 K10 K11/e11 K12	K04	K05 K06	K07/e07 K08/e08	K09 K10	K11/e11 K12
∅	2"	3"	4"	5"	1" 1/2	2"	3"	4"	
DN	50	80	100	125	40	50	80	100	
CA	6V	8	9 9L ⁽⁹⁾	10	N.A.	N.A.	N.A.	N.A.	
CD	6	8	9	-	5	6	8	9	
CF	6	8	9	9	5	6	8	9	
CK	6	8	9	10	N.A.	N.A.	N.A.	N.A.	
CL	6	8	9	-	5	6	8	9	
CV	6	6	9	10	5	6	6	9	
FA	6	8	9	10	5	6	8	9	
FC	6	8	9	-	5	6	8	9	
FD	6	8	9	-	5	6	8	9	
FL	6	8	9	10	5	6	8	9	
FM	6	8	9	10	5	6	8	9	
FS/FSD	6	8	9	-	5	6	8	9	
FV	6	8	9	10	5	6	8	9	
IN	50	50	50	50	50	50	50	50	
IP	6	6 ⁽⁴⁾ 8 ⁽⁵⁾	6 ⁽⁴⁾ 8 ⁽⁵⁾ 9	9	5 6 ⁽⁴⁾	6	6 ⁽⁴⁾ 8	6 ⁽⁴⁾ 8 ⁽⁵⁾ 9	
MC	040	040	040	040	040	040	040	050	
MP	6	8	9	10	5V	6	8	9	
MV	020	020	020	020	020	020	020	020	
NP	6	8	9	-	5	6	8	9	
PK	6	8 ⁽⁹⁾	9 ⁽⁹⁾	9	5	6	8	9	
PV	66	86 ⁽⁴⁾ 88	96 ⁽⁴⁾ 98 ⁽⁵⁾ 99	109	56	66	86 ⁽⁴⁾ 88	96 ⁽⁴⁾ 98 ⁽⁵⁾	96 ⁽⁴⁾ 98 ⁽⁵⁾ 99
RV	-	-	-	-	-	-	-	-	
SC	6M-3	8M-1	9M-1	10M	5M-2	6M-3	8M-2	9M-2	
SI	6	8	9	-	5	6	8	9	
SS	6	8	9	-	5	6	8	9	
TF	6	8	9	10	5V	6	8	9	
TR	6	8	9	10	5	6	8	9	
VC	6	8	9	10	5	6	8	9	
VLA	-	-	-	-	-	-	-	-	
VK	6	6 8 ⁽¹⁰⁾	6A ⁽⁴⁾ 8 ⁽⁵⁾ 9 ⁽¹⁰⁾	9	N.A.	N.A.	N.A.	N.A.	
VRL	6	6 8	6 8 9	9	6	6	6 6HP 8	6 6HP 8	6 8 9

(4) Necessary if valve VRL6 is used

(5) Necessary if valve VRL8 is used

(9) Necessary if soundproof cabinet is used

(10) It's also necessary to use the TS manifold

SUCTION FILTER FOR INTERIORS - FA

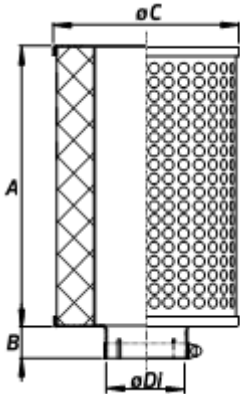
Standard version: filter element in paper.

- Filter complete with connector clamp.

Available on request:

- Section in PVC, Model "TR4 ÷ TR10"
- Other filter elements with different degrees of filtration (see table below)
- Manifold with wide-radius curve "CA" type for use of filter vertically (applicable for MOR/GOR blowers)

DIMENSIONS (FA)

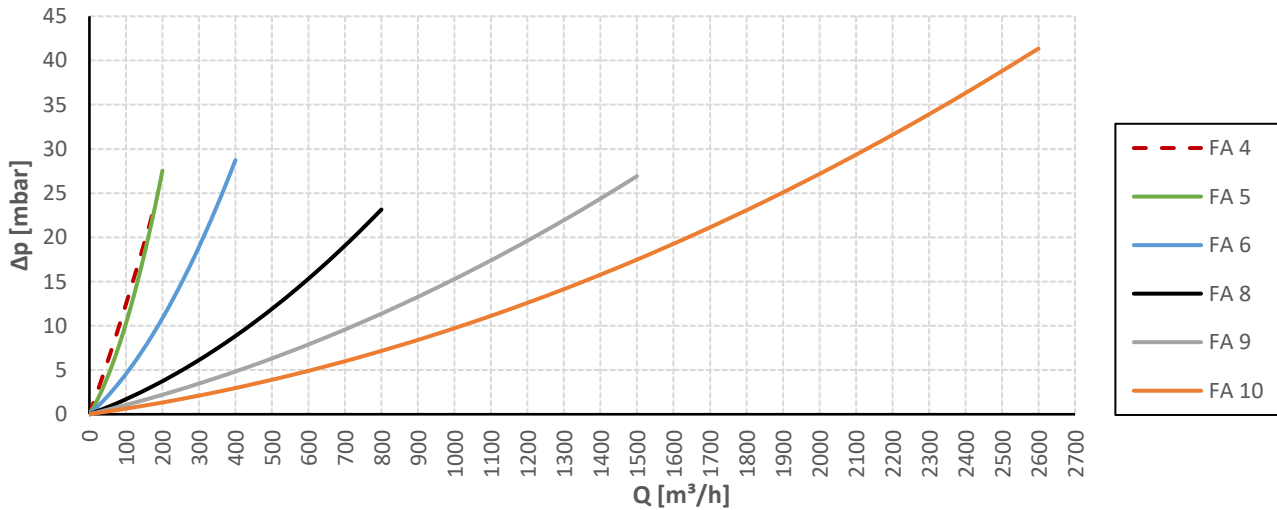


FILTER	Model	DN	A	B	øC	øDi	FLOW RATE Δp 20 mbar (m³/h)	Weight (kg)
	FA 4	32	125	11	125	42	150	0,63
FA 5	40	214	11	150	48,5	160	1,04	
FA 6	50	214	15	150	61,5	310	1,00	
FA 8	80	150	16	201,5	91	720	1,38	
FA 9	100	160	22	256	114	1200	2,27	
FA 10	125	160	28	256	141	1600	2,20	

(*) - Standard version filter dimensions and characteristic data

Filter Element Material	Degree of Filtration - Nominal [μm]
Paper	25
Polyester	10

FA



Flow rates detected with paper filter

IN LINE CARTRIDGE FILTER - FV

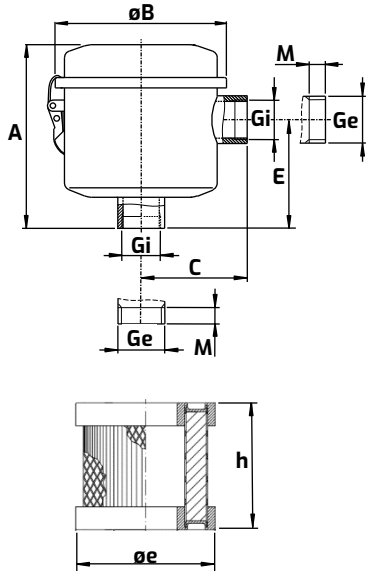
Standard version: filter element in paper.

- Container in painted steel with GAS threaded sleeves.

Available on request:

- other filter elements with different degrees of filtration (see table below)

DIMENSIONS (FV)

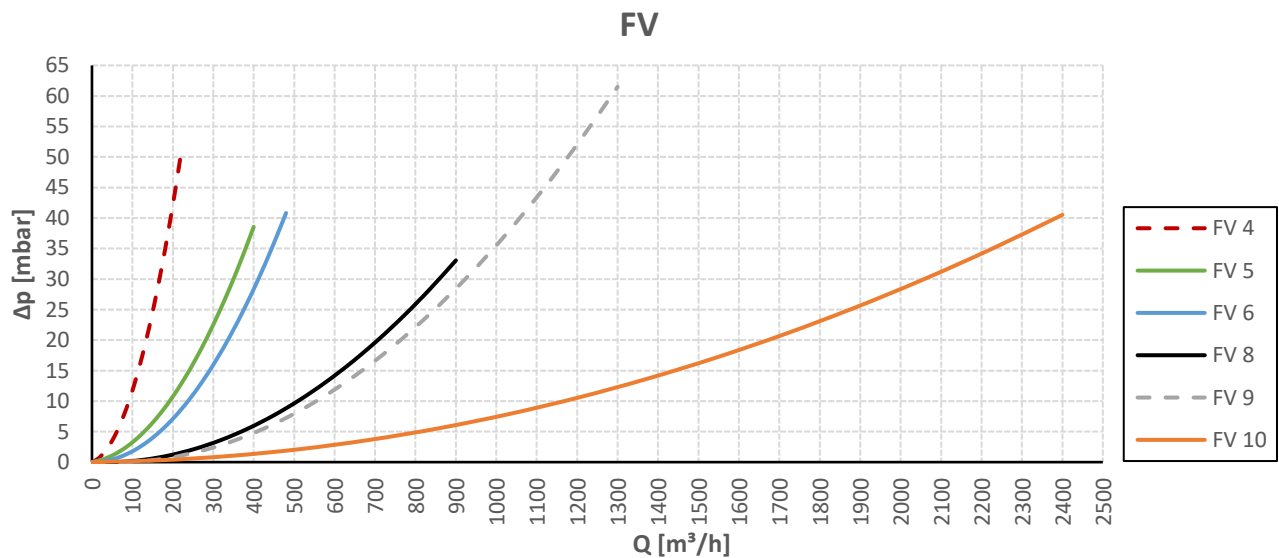


FILTHER	Model	DN	A	øB	C	E	Gi	Ge	M	FLOW RATE Δp 20 mbar (m³/h)	Weight (kg)
	FV4	32	99.5	135	77.5	52	G 1" 1/4	-	-	-	130
FV 5	40	180	172	100	105	G 1" 1/2	-	-	-	280	2,10
FV 6	50	256	201.5	115	131	G 2"	-	-	-	330	4,65
FV 8	80	285	201.5	112	160	G 3"	-	-	-	700	3,44
FV 9	100	325	304	200	200	G 4"	-	-	-	750	7,15
FV 10	125	690	470	265	495	-	G 5"	40	-	1670	54,00

CARTRIDGE	Model	FILTER	øe	h	Weight * (kg)
	CV4	FV 4		98	71
CV 5	FV 5		127	155	0,53
CV 6	FV 6 / FV 8		150	215	0,87
CV 9	FV 9		224	280	0,50
CV10	FV 10		250	240	1,60

(*) – Standard version filter/cartridge dimensions and characteristic data

Filter Element Material	Degree of Filtration - Nominal [μm]
Paper	25
Polyester	10
Stainless steel	60



Flow rates detected with paper filter.

SUCTION CARTRIDGE FILTER - FL

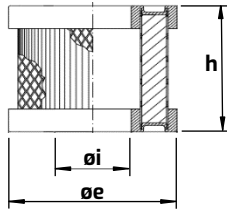
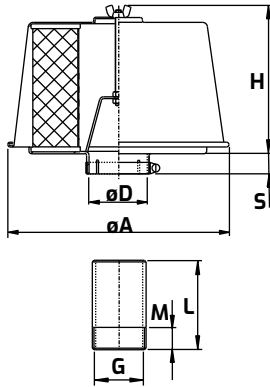
Standard version: filter element in paper.

- Complete with painted steel cover to protect the filter element from atmospheric agents.
- Clamp and section in PVC for mounting, supplied.

Available on request:

- other filter elements with different degrees of filtration (see table below)
- Manifold with wide-radius curve "CA" type for use of filter vertically (applicable for MOR/GOR blowers)

DIMENSIONS (FL)



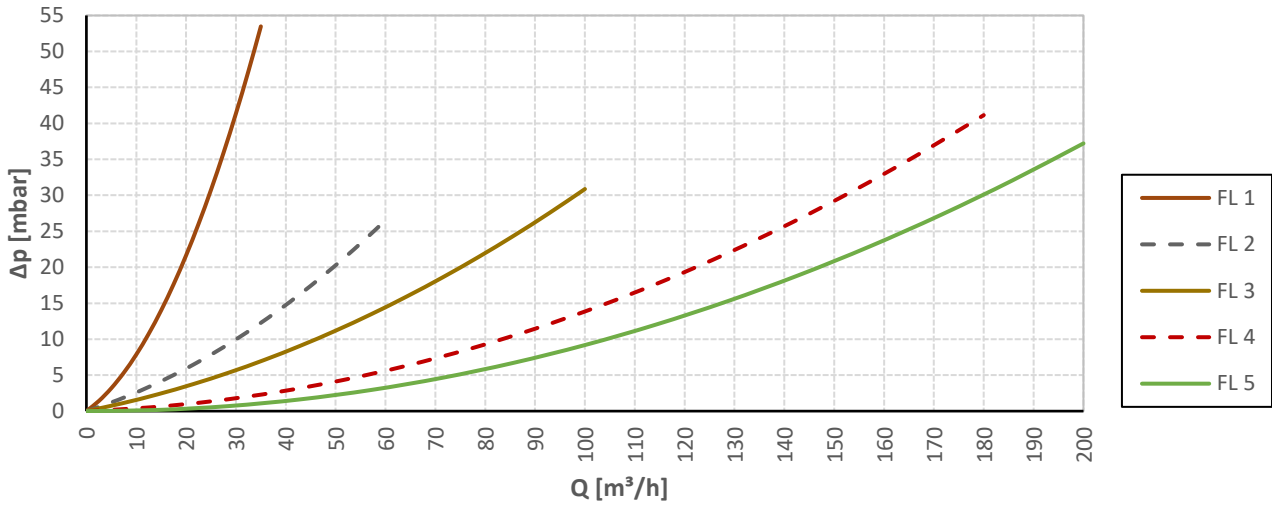
FILTER	Model	DN	øA	øD	H	S	G	L	M	FLOW RATE Δp 20 mbar (m³/h)	Weight (kg)
	FL 1	15	82	21.5	71	21	G 1/2"	100	15	19	0,20
FL 2	20	150	27	107	22	G 3/4"	130	15	50	0,60	
FL 3	25	150	34	107	16	G 1"	140	15	75	0,62	
FL 4	32	150	43	107	17	G 1" 1/4	200	15	120	0,61	
FL 5	40	203	48.5	153	14	G 1" 1/2	200	15	140	1,32	
FL 6	50	220	61.5	159	17	G 2"	200	15	250	1,56	
FL 8	80	290	89.5	184	35	G 3"	200	20	680	2,60	
FL 9	100	410	115.5	335	35	G 4"	200	20	1330	6,75	
FL 10	125	410	141	335	35	G 5"	200	30	1620	6,70	

CARTRIDGE	Model	FILTER	øe	øi	h	Weight * (kg)
	CF 1		FL 1	55	25	54
FL 2						
CF 4		FL 3	108	55	82	0,20
		FL 4				
CF 5		FL 5	147	80	135	0,43
CF 6		FL 6	176	80	135	0,60
CF 8		FL 8	225	100	155	1,00
CF 9		FL 9	300	215	303	1,90
		FL 10				

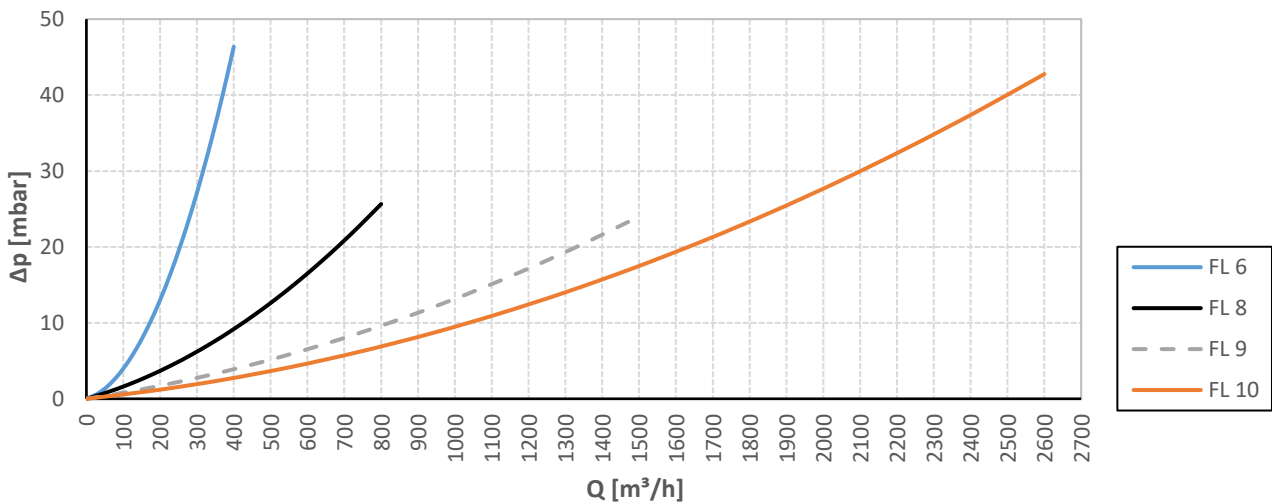
(*) – Standard version filter/cartridge dimensions and characteristic data

Filter Element Material	Degree of Filtration - Nominal [μm]
Paper	25
Polyester	10
Stainless steel	60

FL1 - FL2 - FL3 - FL4 - FL5



FL6 - FL8 - FL9 - FL10



Flow rates detected with paper filter

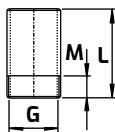
SECTION (for "FA / FL" FILTERS) - TR

Section in PVC

Operating temperature: -20/+40 °C (-5 ÷ +105 °F).

- Available as a replacement for Model "FL" filters
- Available as on request for Model "FA" filters

DIMENSIONS (TR)



SECTION	Model	DN	G	L	M	Weight (kg)
	TR 1	15	G 1/2"	100	15	0.02
	TR 2	20	G 3/4"	130	15	0.04
	TR 3	25	G 1"	140	15	0.06
	TR 4	32	G 1 1/4"	200	15	0.14
	TR 5	40	G 1 1/2"	200	15	0.16
	TR 6	50	G 2"	200	15	0.22
	TR 8	80	G 3"	200	20	0.39
	TR 9	100	G 4"	200	20	0.50
	TR 10	125	G 5"	200	30	1.23

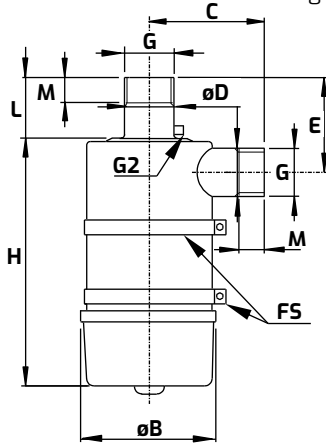
IN LINE CARTRIDGE CYCLONE FILTER - FC

Standard version: filter element in paper.

- Container in painted steel with GAS threaded sleeves
- The shape of the filter and a finned insert in plastic material ensure a high cyclonic effect, preserving the filter element.

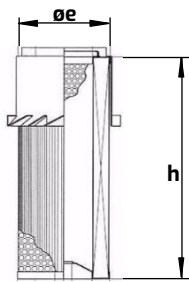
Available on request:

- other filter elements with different degrees of filtration (see table below)
- "FS" brackets for rigid fixing.



DIMENSIONS (FC)

FILTER	Mod	DN	øB	C	øD	E	G	G2	H	L	M	FLOW RATE Δp 20 mbar (m³/h)	Weight (kg)
	FC 5	40	146	131.5	48	129.5	G1" 1/2	G1/8"M	304.5	90.5	25	150	2,37
FC 6	50	178	154.5	60	141.5	G 2"	G1/8"M	332.5	98.5	22	200	3,39	
FC 8	80	220	160	88	171.5	G 3"	G1/8"M	444	108.5	22	650	5,24	
FC 9	100	276	230	114	208	G 4"	G1/8"M	484	135	22	630	9,14	

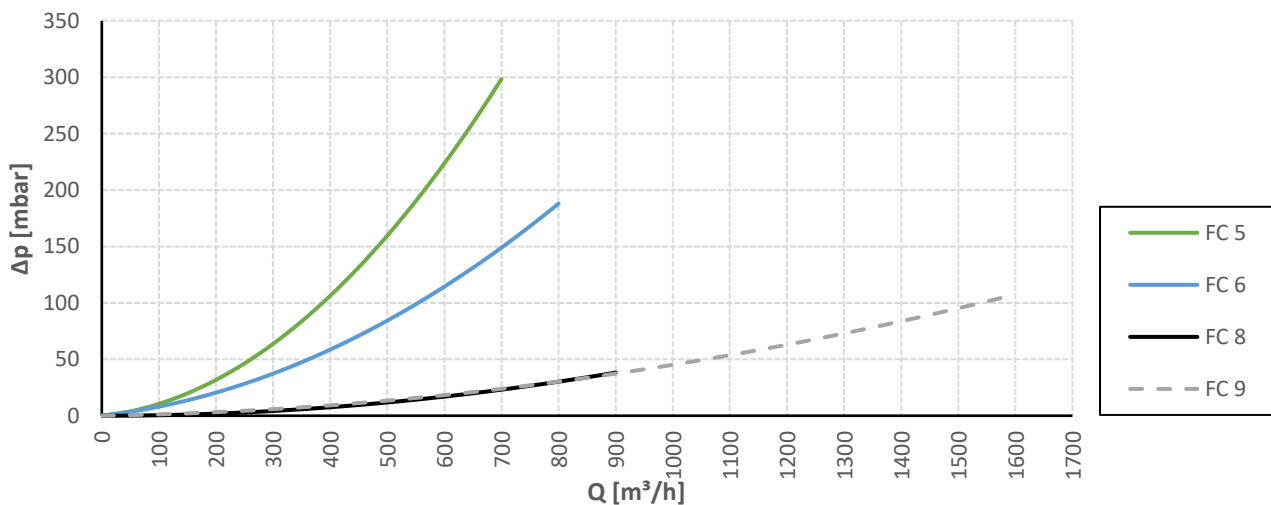


CARTRIDGE	Model	FILTER	øe	h	Weight * (kg)
	CL 5	FC 5	104	264	0.51
CL 6	FC 6	134	290	0.93	
CL 8	FC 8	155	395	1.50	
CL 9	FC 9	202	421	2.11	

(*) – Standard version filter/cartridge dimensions and characteristic data

Filter Element Material	Degree of Filtration - Nominal [μm]
Paper	25
Polyester	10

FC



Flow rates detected with paper filter

CARTRIDGE CYCLONE DOUBLE FILTER – FD

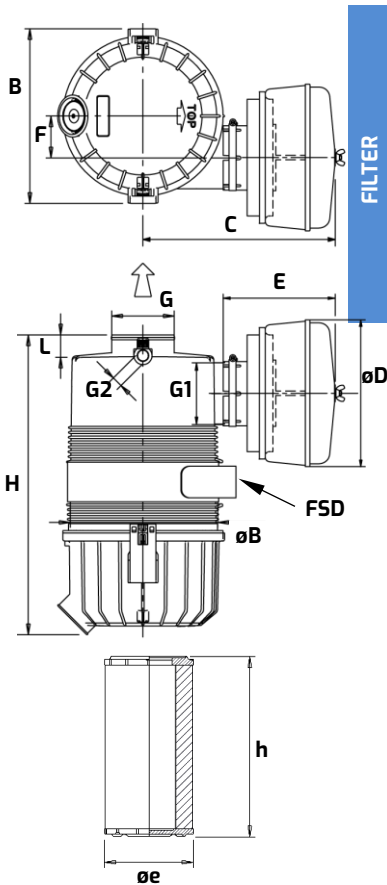
Standard version: filter element in paper, Nominal degree of filtration 25 µm.

- Plastic Container
- Conformation of the filter with tangential inlet from the environment
- With cyclone precleaner, than through the centrifugal deflectors system achieves a first step of separation dust until 75-85%

Available on request:

- "FSD" brackets for rigid fixing.

DIMENSIONS (FD)



Mod	DN	B	øB	C	øD	E	F	G	G1	G2	H	L	FLOW RATE	
													Δp 20 mbar	Weight [kg]
FD 5	40	180	146	205	143	135	45	51	51	G1/8" M	340	25	160	1,75
FD 6	50	207	175	216	143	135	54	63.5	63.5	G1/8" M	359	28	235	1,95
FD 8	80	247	212	295	270	191	56	89	95	G1/8" M	397	25	400	2,93
FD 9	100	302	268	336	270	191	75	101	114	G1/8" M	486	41	600	4,42

Mod	FILTER	øe	øi	h	Weight*
					[kg]
CD 5	FD 5	105	61	296	0,40
CD 6	FD 6	128	84	311	0,55
CD 8	FD 8	162	90	342	0,93
CD 9	FD 9	206	106.5	418	1,56

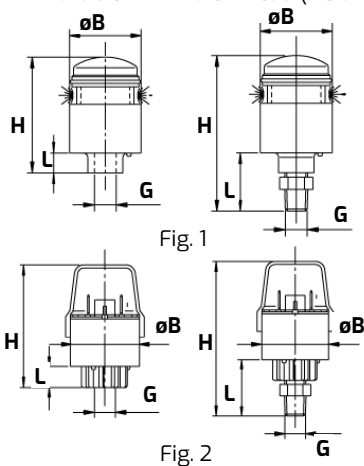
(*) – Standard version filter/cartridge dimensions and characteristic data

DUST LOAD INDICATORS (for filter "FD") – IN

The optical / electrical clogging indicators indicate when the maintenance of the air filter is recommended, to protect and optimize the functionality of the filter. IP44 with Female thread for FD filter

Available with Male thread (Installation of filter FA-FL by customer care)

DIMENSIONS (IN)

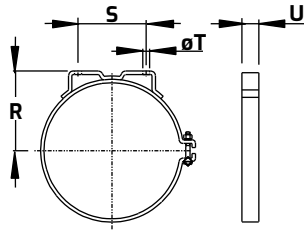


INDICATOR	Mod	SIGNAL	Fig	øB	H	L	G	Calibration
								(mbar)
	IN50M	OPTICAL	1	32.5	55	10	G 1/8" M	50
	IN50F	OPTICAL	1	32.5	72	28	G 1/8" F	50
	IN50ME	ELECTRIC	2	32.5	59	10	G 1/8" M	50
	IN50FE	ELECTRIC	2	32.5	76	28	G 1/8" F	50

(*) - electrical contact normally open

BRACKET (for filter "FC/ FD") – FS / FSD

Galvanised metal bracket for rigid fixing
 - Filter accessory for rigid fixing



DIMENSIONS (FS/FSD)

BRACKET	Mod	FILTER	R	S	T	U
	FS 5	FC 5	80	79	13x9	20
FSD 5	FD 5	90	80	Ø9	50	
FS 6	FC 6	100	95	13x9	22	
FSD 6	FD 6	102	90	Ø9	50	
FS 8	FC 8	120	107	13x9	25	
FSD 8	FD 8	120	110	Ø9	50	
FS 9	FC 9	146	127	Ø11.5	32	
FSD 9	FD 9	148	127	11	80	

MANIFOLD - CA (for "FA /FL" filters)

90° manifold in PVC with wide-radius curve, flanged end for fixing to the blower and smooth terminal for filter.
 Operating temperature: -20/+40 °C (-5 ÷ +105 °F).

DIMENSIONS (CA)

Model	DN	A	B	øD	I	M	R	S	γ	Fig.	Weight [kg]
CA 4	32	220	90	42	75	7	80	15	30°	1	0.22
CA 4V	32	220	90	42	64	7	80	15	-	2	0.22
CA 4K	32	260	160	42	64	7	80	15	-	2	0.32
CA 5	40	260	110	48	85	7	100	15	45°	1	0.43
CA 5V	40	260	110	48	75	7	100	15	-	2	0.43
CA 5K	40	300	180	48	75	7	100	15	-	2	0.55
CA 6	50	320	135	60	85	7	126	15	45°	1	0.73
CA 6V	50	320	135	60	85	7	126	15	-	2	0.73
CA 8	80	380	185	88.5	120	7	180	15	-	3	1.60
CA 9	100	400	235	113.9	150	9	220	20	-	3	3.14
CA 9L	100	400	345	113.9	150	9	220	20	-	3	2.67
CA 10	125	450	300	140	210	18	280	20	-	3	5.88

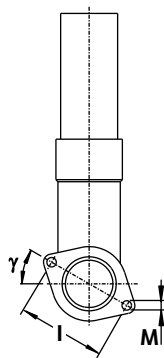
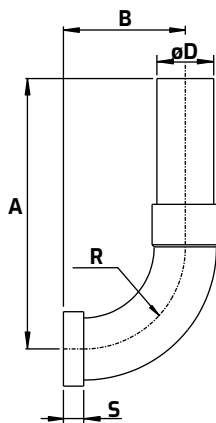


Fig. 1

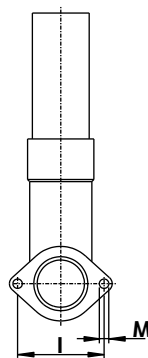


Fig. 2

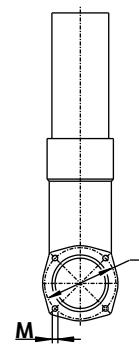
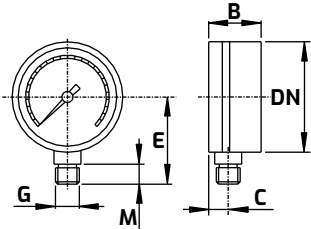


Fig. 3

PRESSURE GAUGE/VACUUM GAUGE – MC / MV

Pressure gauge built according to UNI EN 837.1 - BLACK painted metal case - IP55 - Cylindrical radial connection (ISO 228) - Dial in aluminium, white background

Operating values: Operating temperature -10°C to + 60°C
Overpressure: 25% (according to EN837.1)



DIMENSIONS (MC/MV)

Model	Δp mbar	ACCURACY	DN	B	C	E	G	M	Weight [g]
MC 040	0 ÷ 600	1.6%	63	27	10	54	G 1/4"	13	99
MC 050	0 ÷ 1000	1.6%	63	27	10	54	G 1/4"	13	99
MV 020	-600 ÷ 0	1.6%	63	27	10	54	G 1/4"	13	99

FLEXIBLE SLEEVE

Features:

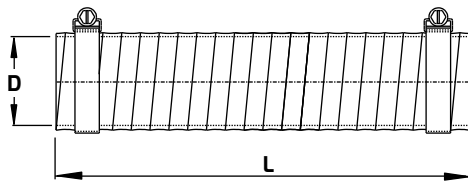
- Extremely flexible - Smooth internally - Resists twisting - Good chemical resistance - Steel spring solidly embedded in the fabrics

Structure:

- Tube wall: neoprene-coated double fiberglass fabric - Spiral: steel wire spring - Reinforcement: double hollow in fiberglass

Supplied with pair of clamps.

Operating temperature (continuous): -35 ÷ +135 °C (-31 ÷ +275 °F).



DIMENSIONS (FM)

Model	DN	D	L
FM 1	15	22	200
FM 2	20	30	200
FM 3	25	32	200
FM 4	32	45	200
FM 4C	32	45	110
FM 5	40	51	250
FM 5C	40	51	130
FM 6	50	64	250
FM 6C	50	64	135
FM 8	80	90	330
FM 9	100	114	330
FM 10	125	140	330

CHARACTERISTIC DATA (FM)

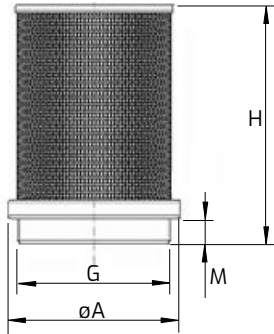
Model	min. radius of curvature [mm]	max. pressure [bar]	max. negative pressure [mbar]	Weight [g]
FM 1	15	2.8	650	60
FM 2	15	2.8	650	65
FM 3	16	2.6	650	90
FM 4	21	2.6	560	135
FM 4C	21	2.6	560	85
FM 5	24	2.6	520	180
FM 5C	24	2.6	520	100
FM 6	31	2.4	480	200
FM 6C	31	2.4	480	120
FM 8	44	2.0	400	250
FM 9	57	1.6	290	370
FM 10	70	1.3	190	400

INTAKE PROTECTION - IP

Filter for VRL.

Stainless steel mesh and polymer threaded sleeve.

Available with NPT thread only for sizes DN80 and DN100.



DIMENSIONS (IP)

Model	DN	øA	G	H	M	Degree of filtration	Weight [g]
IP4	32	50	G 1" 1/4	75	10	1200 µm	38
IP5	40	56	G 1" 1/2	83	11	1200 µm	47
IP6	50	69	G 2"	98	13	1200 µm	70
IP8	80	102	G 3"	138	15	2000 µm	194
IP8 N	80	102	3" NPT	138	15	2000 µm	194
IP9	100	129	G 4"	153	16	2000 µm	300
IP9 N	100	129	4" NPT	153	16	2000 µm	300

HOSE SLEEVE - MP

Flange with hose collar in aluminium alloy or steel.

Its use replaces the threaded flange on the silencer housing. (the only exception is the sleeve as in fig.4).

Sleeves MP 1, MP 2, MP 9 are installed on the respective threaded flange.

DIMENSIONS (MP)

Model	DN	øD	G	H	I	L	M	R	S	Fig.	Weight [kg]
MP 1	15	21	G 1/2"	100	-	85	-	-	-	4	0.10
MP 2	20	27	G 3/4"	100	-	85	-	-	-	4	0.12
MP 3	25	32	-	35	54.5	25	-	6.5	-	1	0.06
MP 4	32	42	-	35	75	25	-	6.5	-	1	0.07
MP 4V	32	42	-	35	64	25	-	6.5	-	1	0.07
MP 5	40	48	-	35	85	25	-	6.5	-	1	0.10
MP 5V	40	48	-	35	75	25	-	6.5	-	1	0.10
MP 6	50	60	-	35	85	25	-	6.5	-	1	0.12
MP 8	80	88	-	45	120	32	-	6.5	-	2	0.24
MP 9	100	114	G 4"	100	-	80	-	-	-	4	0.88
MP 10	125	140	-	62	210	52	-	17	-	2	2.40
MP 10 G	125	-	G 5"	62	210	-	35	17	10	3	2.40
MP 10 N	125	-	5" NPT	62	210	-	35	17	10	3	2.40

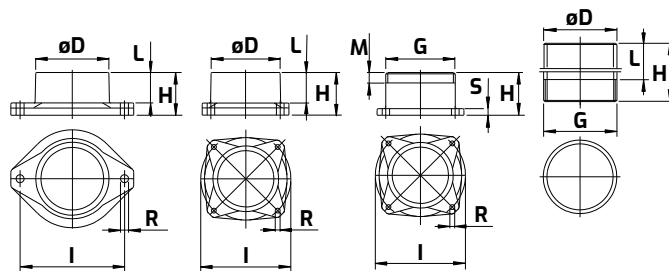


Fig.1

Fig.2

Fig.3

Fig.4

HOSE FLANGE FOR BLOWER K/e - PK

Flange in aluminium alloy with hose collar, also available painted RAL 7016.

Supplied with mounting kit (gasket and screws plus wrench).

Allows the connection of K/e series blowers to the system, without the use of the silencer housing as specified below:

- blower K/e-MS/T5/TD applicable in delivery and in suction;
- blower K-MD applicable only on the cover in suction

DIMENSIONS (PK)

Model	DN	øD	H	I	L	R	S	Fig.	Weight (g)
PK 5	40	48	30	92	20	6,5	10	1	90
PK 6	50	60	50	110	35	8,5	10	1	270
PK 6A	50	60	60	130	35	9	11	2	335
PK 8	80	88	43	130	24	9	11	2	300
PK 9	100	113	46	150	27	9	11	2	385

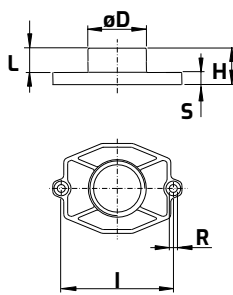


Fig. 1

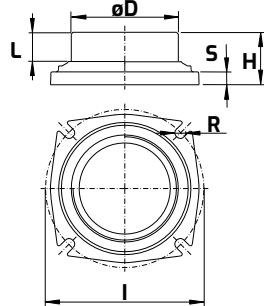
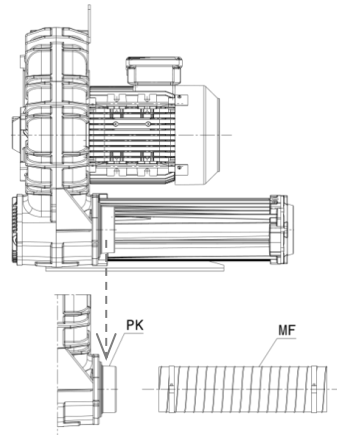


Fig. 2



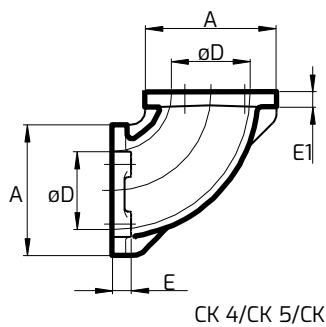
MANIFOLD - CK

90° manifold in aluminium alloy applicable on K/e series blowers, also available painted RAL 7016.

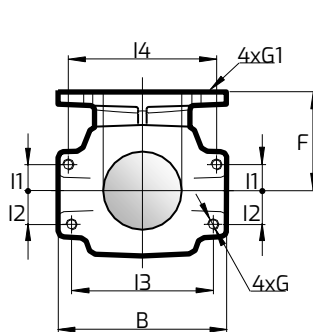
Supplied with mounting kit (gasket and screws plus wrench).

DIMENSIONS (CK)

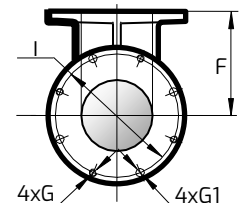
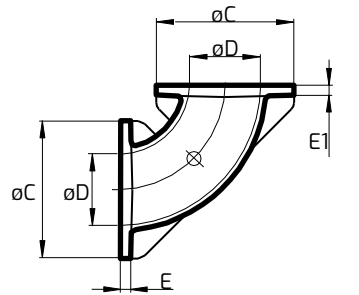
Model	DN	A	B	øC	øD	E	E1	F	4xG	4xG1	I	I1	I2	I3	I4	Weight (kg)
CK 5	40	80	100	-	43	11.5	7.0	56	M6	7	-	17.6	17.6	85	85	0.50
CK 6	50	92	118	-	55	13.0	8.5	69	M8	9	-	18.3	23.8	99.4	104	0.70
CK 8	80	-	-	145	75	10.5	10.5	110	M8	9	130	-	-	-	-	1.37
CK 9	100	-	-	165	90	10.5	10.5	132	M8	9	150	-	-	-	-	1.77
CK 10	125	-	-	220	128	10.5	10.5	192	M8	9	190	-	-	-	-	3.82



CK 4/CK 5/CK 6



CK 8/CK 9/CK 10



VALVE HOLDER for valves VRL - PV

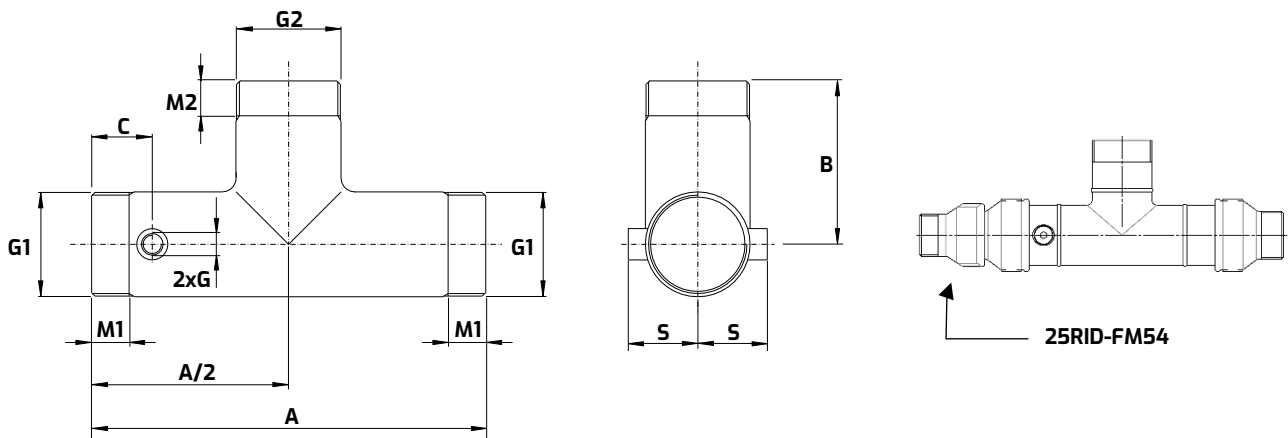
In AISI 304 stainless steel, end with GAS thread and complete with G1/4" hole for connecting pressure gauge MC or vacuum gauge MV. Installs directly onto the threaded flange of the blower (inlet and outlet).

Suitable for use of flexible sleeve MF.

Model PV 56 provides for 2 sleeves, in zinc plated cast iron, with Gas tapered male thread (Gc 1" 1/2) on both ends.

DIMENSIONS (PV)

Model	DN	A	B	C	2xG	G1	G2	M1	M2	S	Weight [kg]
PV 56	40	325	95	83	G 1/4"	G 1" 1/2	G 2"	15	21.5	40	1.73
PV 66	50	227	95	35	G 1/4"	G 2"	G 2"	21.5	21.5	40	0.85
PV 86	80	310	135	55	G 1/4"	G 3"	G 2"	28.0	21.5	54	1.85
PV 88	80	310	130	55	G 1/4"	G 3"	G 3"	28.0	28.0	54	1.99
PV 96	100	370	150	65	G 1/4"	G 4"	G 2"	31.5	21.5	67	2.64
PV 98	100	370	173	65	G 1/4"	G 4"	G 3"	31.5	28.0	67	3.00
PV 99	100	370	147	65	G 1/4"	G 4"	G 4"	31.5	31.5	67	2.80
PV 109	125	370	175	65	G 1/4"	G 5"	G 4"	31.5	31.5	80	4.20



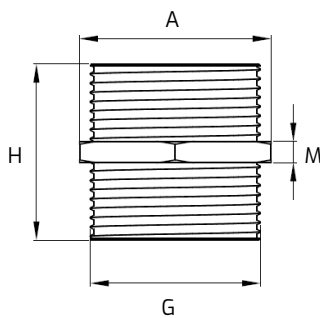
25RID-FM54

NIPPLO - NP

Galvanised barrel/pipe nipple fitting for direct connection of the FV filters to the blower.

Available with G (gas) thread only for the sizes specified in the table.

INGOMBRI (NP)



Mod	DN	A	G	H	M	Weight [kg]
NP4	32	48	G 1" 1/4	58	12,5	0,27
NP5	40	54	G 1" 1/2	60	11	0,28
NP6	50	70	G 2"	70	13,5	0,52
NP8	80	100	G 3"	84	14,5	1,13
NP9	100	130	G 4"	97	13,5	1,86

FLANGE for valves VRL - VK

In aluminium alloy with threaded end, GAS and NPT, also available painted RAL 7016.

Supplied with mounting kit (gasket and screws plus wrench).

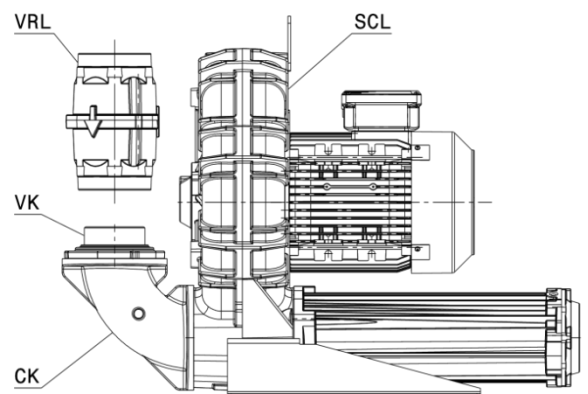
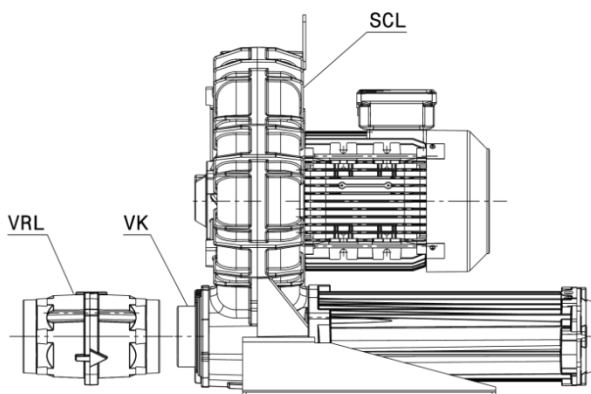
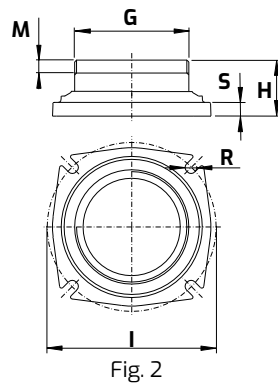
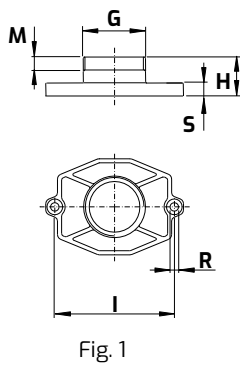
Allows the connection of valves VRL directly on the cover of K/e series blowers as specified below:

- blower K/e-MS/T5 applicable in delivery and in suction;
- blower K-MD applicable only in suction;
- blower K/e-TD not applicable.

Model VK 5G (native G 1" 1/2) including reduction in order to install valve VRL 6 G 2"

DIMENSIONS (VK)

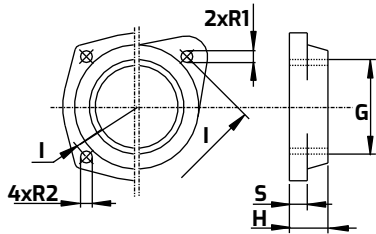
Model	DN	G	H	I	M	R	S	Fig.	Weight (g)
VK 5G	40	G 2"	47	92	17	6,5	10	1	310
VK 6G	50	G 2"	50	110	17	8,5	10	1	265
VK 6AG	50	G 2"	60	130	12	9	11	2	345
VK 8G	80	G 3"	43	130	10	9	11	2	290
VK 9G	100	G 4"	46	150	12	9	11	2	360
VK 5N	40	1" 1/2 NPT	30	92	15	6,5	10	1	85
VK 6N	50	2" NPT	50	110	24	8,5	10	1	265
VK 6AN	50	2" NPT	60	130	19	9	11	2	345
VK 8N	80	3" NPT	44	130	20	9	11	2	280
VK 9N	100	4" NPT	46	150	23	9	11	2	345



THREADED FLANGE - TF

In aluminium alloy and available with female thread, GAS and NPT, also available painted RAL 7016.
Supplied standard with blower.

DIMENSIONS (TF)



Model	DN	G	H	I	2xR1	4xR2	S	Weight (g)
TF 3 G	25	G 1"	18	54.5	6.5	-	10	47
TF 4 G	32	G1" 1/4	18	75	6.5	-	10	95
TF 4V G	32	G1" 1/4	18	64	6.5	-	10	50
TF 5 G	40	G1" 1/2	18	85	6.5	-	10	130
TF 5V G	40	G1" 1/2	18	75	6.5	-	10	80
TF 6 G	50	G 2"	18	85	6.5	-	10	100
TF 8 G	80	G 3"	25	120	-	6.5	13	200
TF 9 G	100	G 4"	25	150	-	9	13	285
TF 10 G	125	G 5"	35	210	-	17	13	770
TF 3 N	25	1" NPT	18	54.5	6.5	-	10	47
TF 4 N	32	1" 1/4 NPT	18	75	6.5	-	10	95
TF 4V N	32	1" 1/4 NPT	18	64	6.5	-	10	50
TF 5 N	40	1" 1/2 NPT	18	85	6.5	-	10	130
TF 5V N	40	1" 1/2 NPT	18	75	6.5	-	10	80
TF 6 N	50	2" NPT	18	85	6.5	-	10	100
TF 8 N	80	3" NPT	25	120	-	6.5	13	200
TF 9 N	100	4" NPT	25	150	-	9	13	285
TF 10 N	125	5" NPT	35	210	-	17	13	770

BALL VALVE / GATE VALVE - VM / VN

VM - Ball valve with lever handle in steel and body in nickel-plated brass.

VN - Gate valve with lever handle in steel and body in nickel-plated brass.

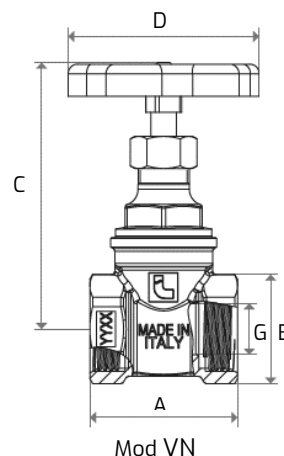
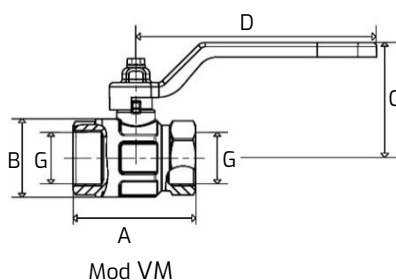
To be used in branch to the main pipe, to reduce the flow rate or the vacuum/pressure supplied to the user.

Do not use to directly throttle the flow generated by the blower.

If applied on the suction side, install a suitable filter to prevent the entry of foreign particles.

DIMENSIONS (VM/VN)

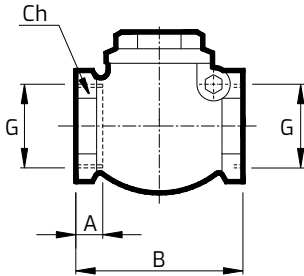
Mod	DN	A	B	C	D	G	Peso (kg)
VM 3	25	70	45.5	59	113	G 1"	0.42
VM 4	32	80.5	57	75	138	G 1" 1/4	0.68
VM 5	40	94.5	70	81	138	G 1" 1/2	1.03
VM 6	50	112.5	84	96	157.8	G 2"	1.63
VN 8	80	83	102.7	202.1	100	G 3"	
VN 9	100	100	132.4	236.9	120	G 4"	



NON-RETURN VALVE - VC

Valve body and metal parts in brass alloy. Shutter gasket: NBR only for Model VC 10
 GAS female threaded connections
 Min./Max. nominal operating pressure : 0.05 bar / 10 bar (6 bar for sizes G 3" and G 4")
 Operating temperature: 0°C - +90°C

DIMENSIONS (VC)

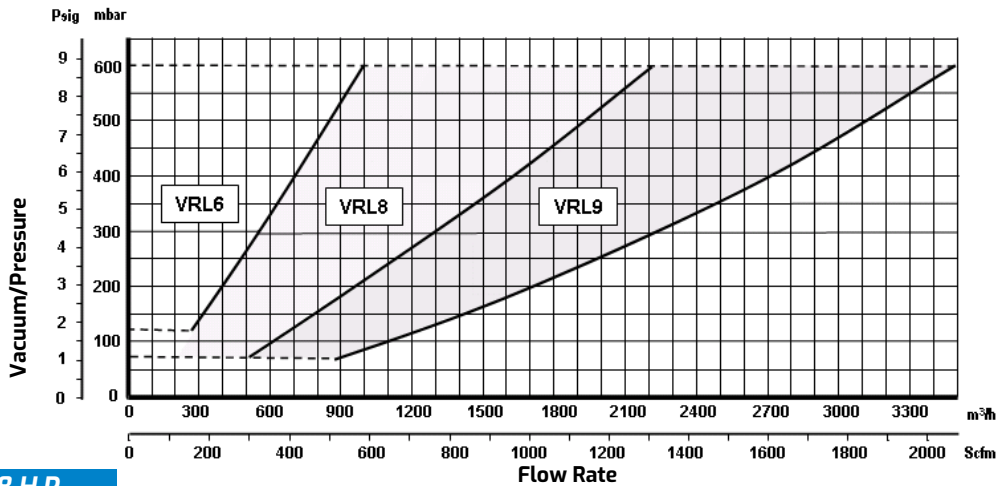


Model	DN	A	B	G	Ch Hex	Weight (kg)
VC 1	15	8	47	G 1/2"	25	0.16
VC 2	20	8	53	G 3/4"	32	0.33
VC 3	25	10	63	G 1"	38	0.38
VC 4	32	10	74	G 1" 1/4	47	0.46
VC 5	40	10	87	G 1" 1/2	55	0.74
VC 6	50	11	97	G 2"	67	1.02
VC 8	80	16	135	G 3"	95	2.44
VC 9	100	20	164	G 4"	124	3.90
VC 10	125	22	206	G 5"	150	6.97

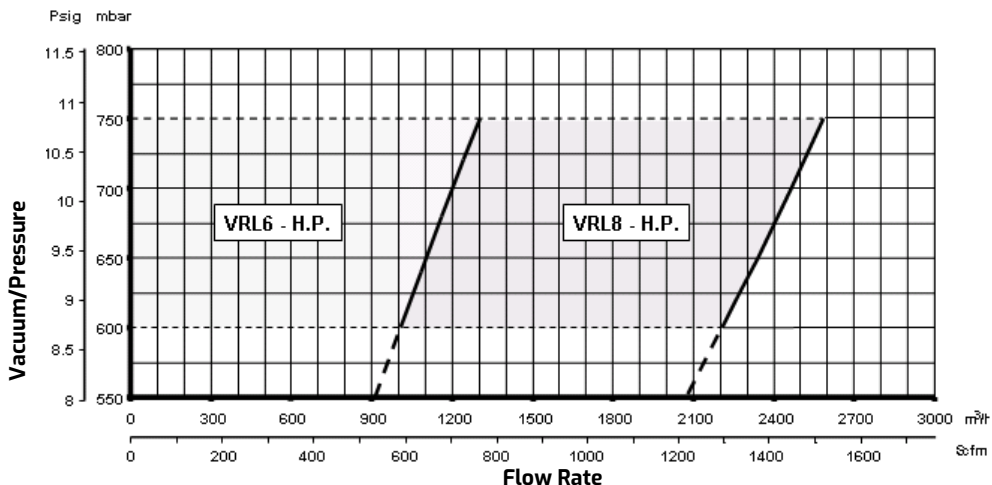
VACUUM/PRESSURE RELIEF VALVE - VRL

Designed for limitation in the range of low / negative pressures with minimum hysteresis (difference between cut-in value and adjusted value).
 Featuring compact construction in aluminium alloy, easy to install and calibrate, they are suitable for a wide range of flows and offer the possibility of in-line mounting when conveying the secondary flow is required.
 The valve kit provides for an additional spring with greater preload.
 For correct use, consult the use and maintenance manual.
 Tolerance on maximum Vacuum/Pressure $\pm 5\%$

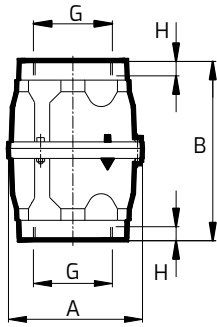
VRL6/VRL8/VRL9



VRL6/VRL8 H.P.

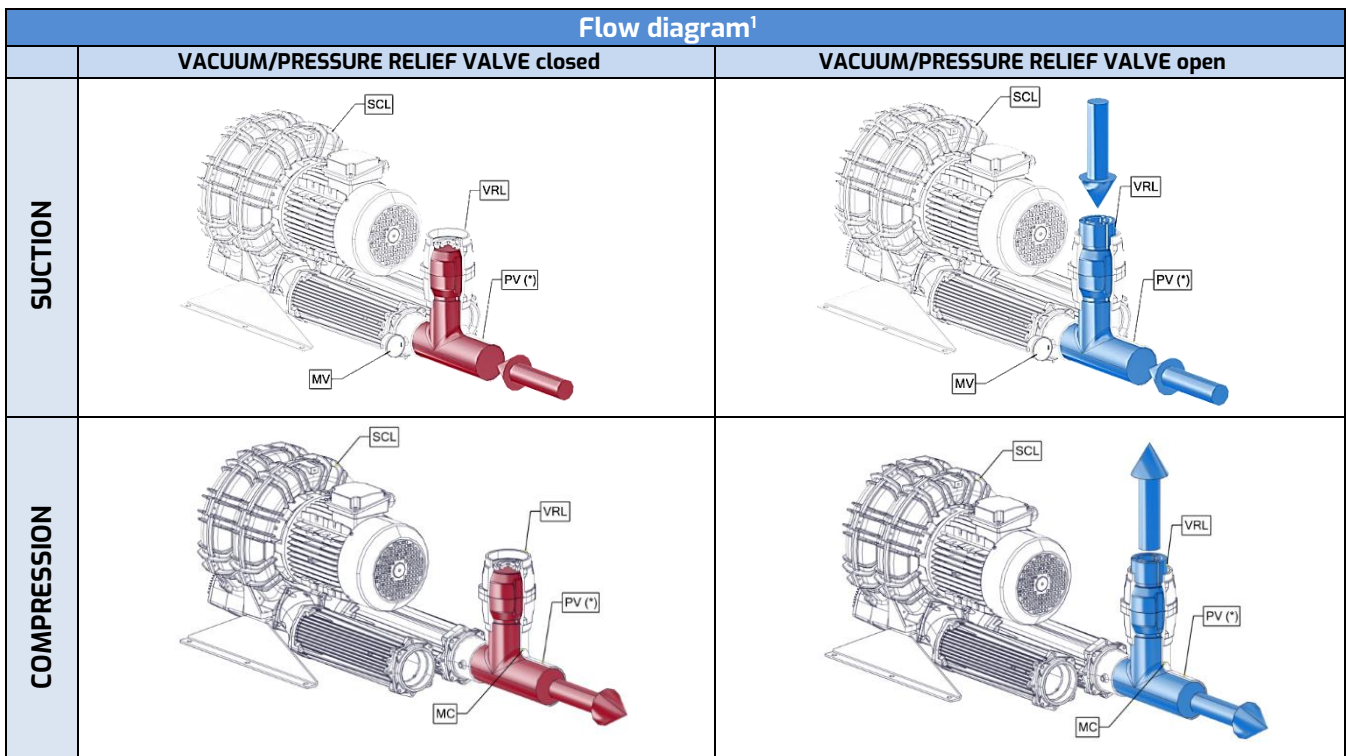


DIMENSIONS (VRL)



VALVE	Model	DN	A	B	G	H	Weight (kg)
	VRL 6 G	50	102	175	G 2"	12	0.89
	VRL 6HP G	50	102	175	G 2"	12	0.89
	VRL 8 G	80	135	190	G 3"	15	2.02
	VRL 8HP G	80	135	190	G 3"	15	2.02
	VRL 9 G	100	160	206	G 4"	18	2.81
	VRL 6 N	50	102	175	2" NPT	12	0.89
	VRL 6HP N	50	102	175	2" NPT	12	0.89
	VRL 8 N	80	135	190	3" NPT	15	2.02
	VRL 8HP N	80	135	190	3" NPT	15	2.02
	VRL 9 N	100	160	206	4" NPT	18	2.81

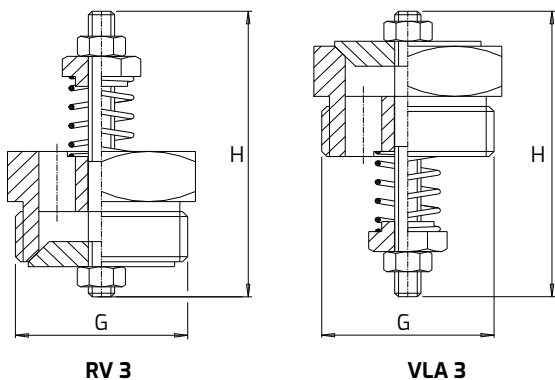
Flow diagram¹



VACUUM/PRESSURE RELIEF VALVE - RV / VLA

Valve body and plate in aluminium alloy. Available with GAS thread only.

DIMENSIONS (VLA/RV)



Model	DN	G	H	Weight (g)
RV 3	25	G 1"	57	70
VLA 3	25	G 1"	57	70

¹ Attention: For the correct reading of the value given on the pressure gauge/vacuum gauge, position the instrument between the silencer housing and the VRL
 (*) See the relevant data sheet

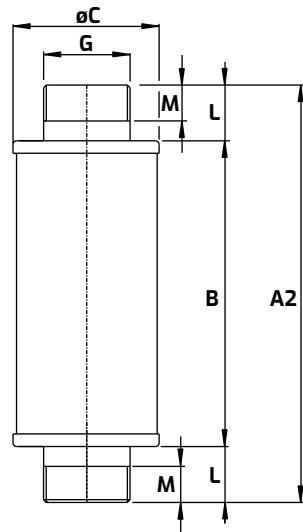
IN LINE SILENCER – SI

Suitable for fitting on the inlet pipe as well the outlet pipe under the following conditions:

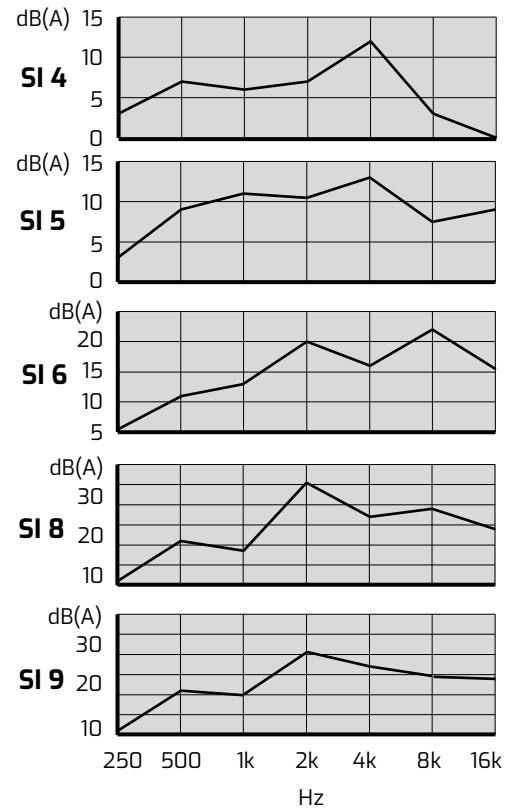
- Inlet installation allowed if the machine works as a blower (suction pressure equal to atmospheric pressure)
- Outlet installation allowed if the machine works as an exhauster (discharge pressure equal to atmospheric pressure)

In steel sheet (except SI9 and S59 entirely in aluminium alloy) with polyurethane sound-absorbing element, they reduce the noise of the conveyed flow by absorption.

In line silencer SI for in line mounting with GAS/NPT threaded sleeve at both ends.



Average indicative attenuation values



DIMENSIONS (SI)

Model	DN	A2	B	øC	G	L	M	Weight (kg)
SI 4	32	210	140	72.4	G 1" 1/4	35	20	0,83
SI 5	40	240	170	81.9	G 1" 1/2	35	22	1,06
SI 6	50	290	200	91.6	G 2"	45	25	1,5
SI 8	80	435	345	152.6	G 3"	45	30	3,56
SI 9	100	485	430	169	G 4"	27	20	3,90
SI 9 N	100	485	430	169	4" NPT	27	20	3,90

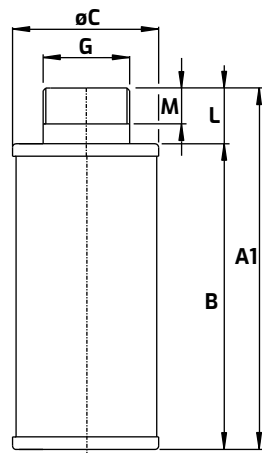
FINAL SILENCER - SS

Suitable for fitting on the inlet pipe as well the outlet pipe under the following conditions:

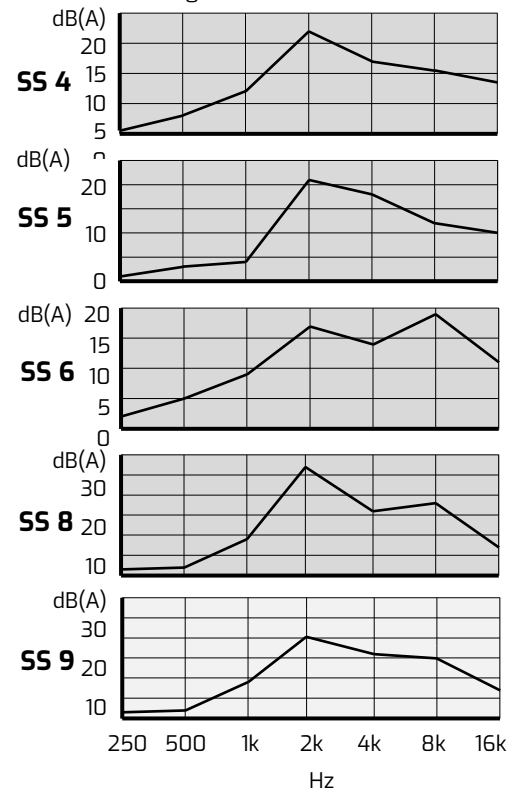
- Inlet installation allowed if the machine works as a blower (suction pressure equal to atmospheric pressure)
- Outlet installation allowed if the machine works as an exhauster (discharge pressure equal to atmospheric pressure)

In steel sheet (except S19 and S59 entirely in aluminium alloy) with polyurethane sound-absorbing element, they reduce the noise of the conveyed flow by absorption.

Final silencer SS for mounting at head of duct with GAS/NPT threaded sleeve to one end and opening to the atmosphere at other end.



Average indicative attenuation values



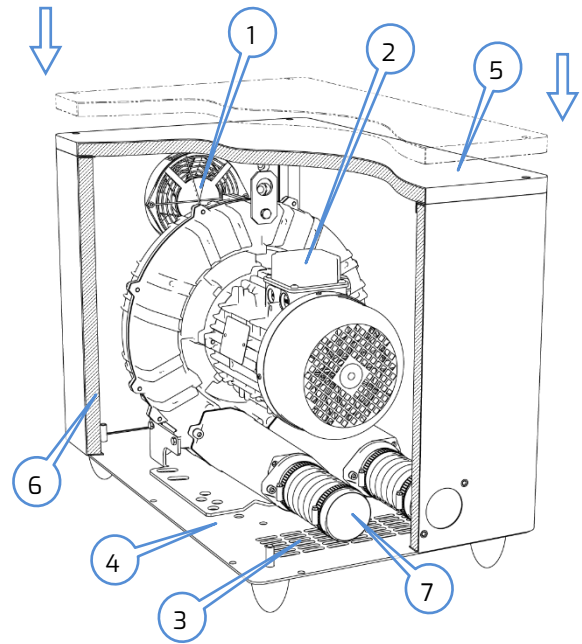
DIMENSIONS (SS)

Model	DN	A1	B	øC	G	L	M	Weight [kg]
SS 4	32	173	138	72.8	G 1" 1/4	35	20	0,66
SS 5	40	202	167	82.1	G 1" 1/2	35	20	0,89
SS 6	50	245	200	91.6	G 2"	45	25	1,26
SS 8	80	395	350	152.5	G 3"	45	30	3,19
SS 9	100	465	430	169	G 4"	27	20	4,10
SS 9 N	100	465	430	169	4" NPT	27	20	4,10

SOUNDPROOF CABIN – IH1 - IH3 - IH4 - IH5

CHARACTERISTICS:

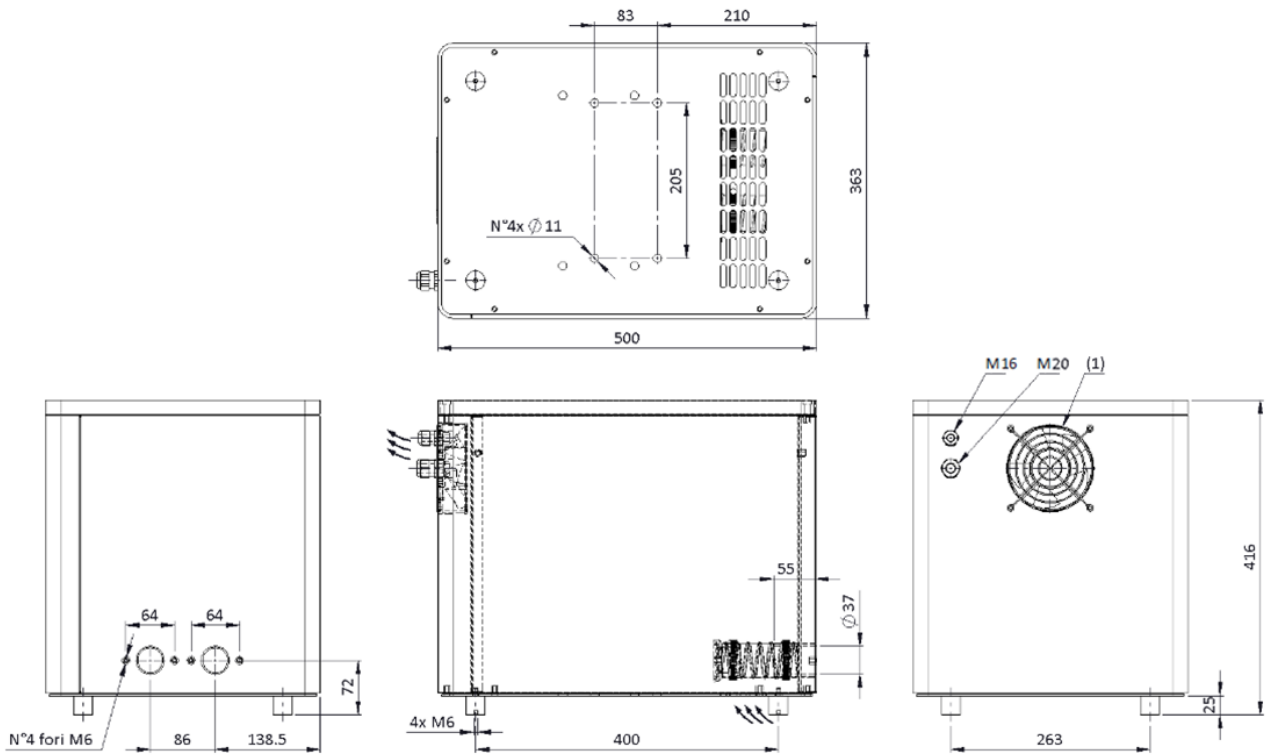
- Suitable for MOR blowers only.
- Noise reduction 10 dB(A) max.
- With electric axial fan (1) removing heat, generated by the motor and blower (2).
- Bottom of cabin with air inlet grille for ventilation.(3).
- steel sheet structure (4).
- Demountable cover, for blower installation/inspection (5).
- Internal coated with polyurethane foam (sound-absorbing material) (6).
- Complete with accessories for blower connection (7), assembly with 4 shock mounts washer
- Cabin on n°4 rubber antivibration mounts.
- Paint RAL 9001.
- Possibility of installing the accessories provided for the blower directly on the cabin.
- Not suitable for outdoor installation without adequate protection



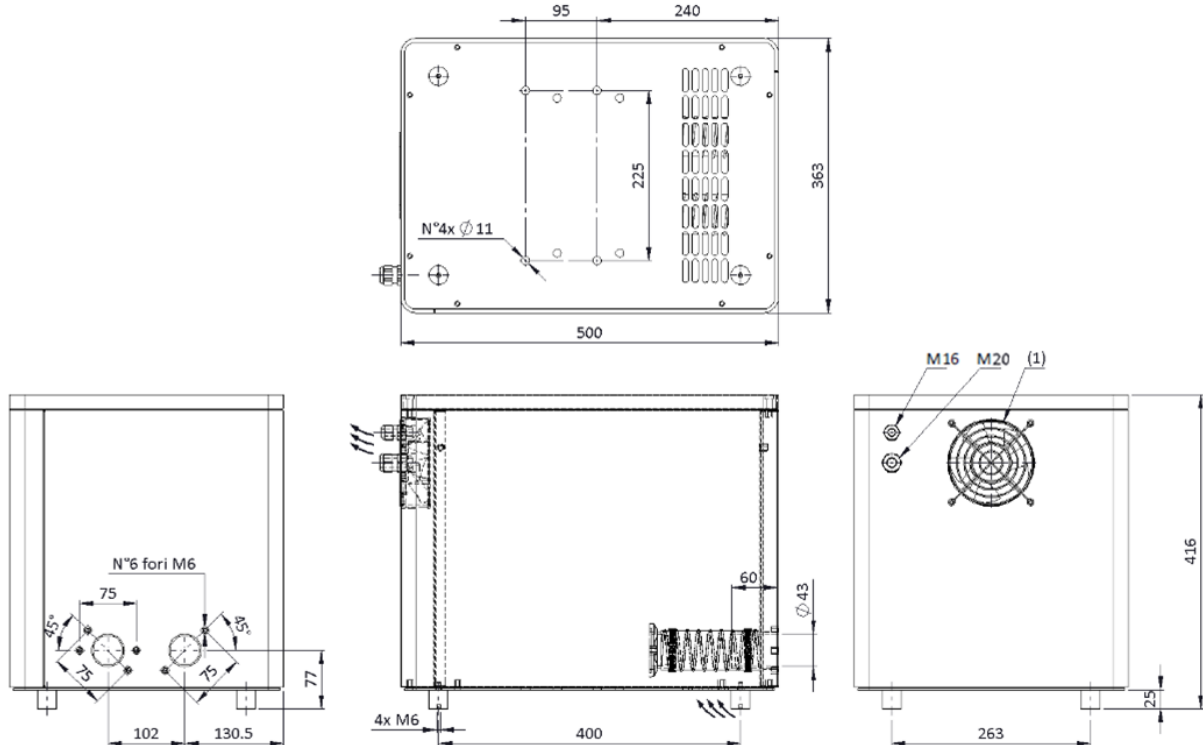
CODE	WEIGHT* [kg]	MOR BLOWER COMPATIBLE		PERFORMANCE OF BLOWERS INSTALLED IN SOUNDPROOF CABIN				AXIAL ELECTRIC FAN (1)							
		MS	MD	Power [kW]		Differential pressure [mbar]		q.tà	Hz	V	W	mA	Phase	pole	IP
				50Hz	60Hz	50Hz	60Hz								
IH 1	17	K03		0.37	0.42	-75/+85	-75/+75	1	50 60	230	18 15	130 90	1	2	44
				0.55	0.65	-100/+125	-150/+175								
IH 3	17.2	K04		0.75	0.90	-125/+125	-100/+100	1	50 60	230	18 15	130 90	1	2	44
				1.1	1.3	-175/+175	-150/+150								
				1.5	1.7	-150/+225	-225/+225								
IH 4	27.7		R20	0.75	0.90	-275/+300	-275/+250	1	50 60	230	46 44	300 280	1	2	54
				1.1	1.3	-275/+375	-325/+425								
			R30	1.1	1.3	-275/+300	-300/+275								
				1.5	1.7	-325/+400	-350/+400								
			R40	2.2	2.6	-325/+400	-350/+375								
				3.0	3.5	-325/+475	-350/+475								
IH 5	28	K05		1.1	1.3	-105/+105	-75/+75	1	50 60	230	46 44	300 280	1	2	54
				1.5	1.7	-150/+150	-135/+135								
				2.2	2.6	-215/+225	-235/+235								
				3.0	3.5	-215/+275	-235/+325								
		K06		2.2	2.6	-135/+135	-100/+100								
				3.0	3.5	-215/+215	-200/+200								
				4.0	4.8	-245/+275	-250/+300								

*- Weight cabinet only

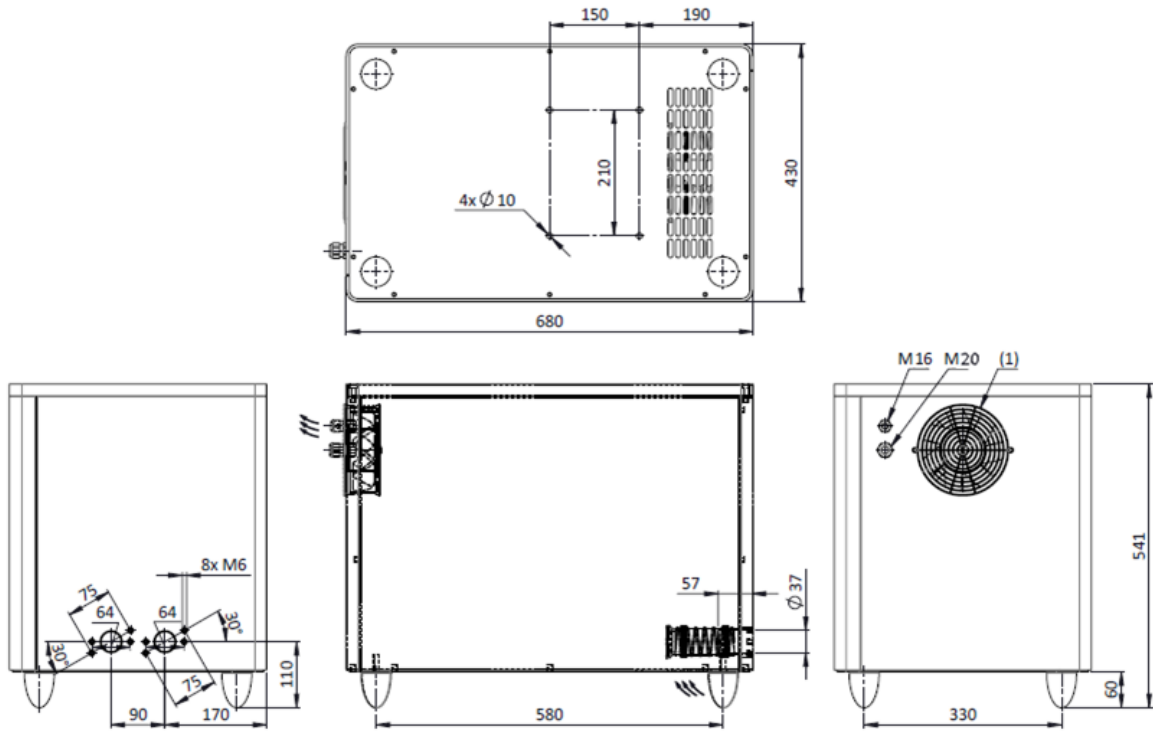
DIMENSION (IH1)



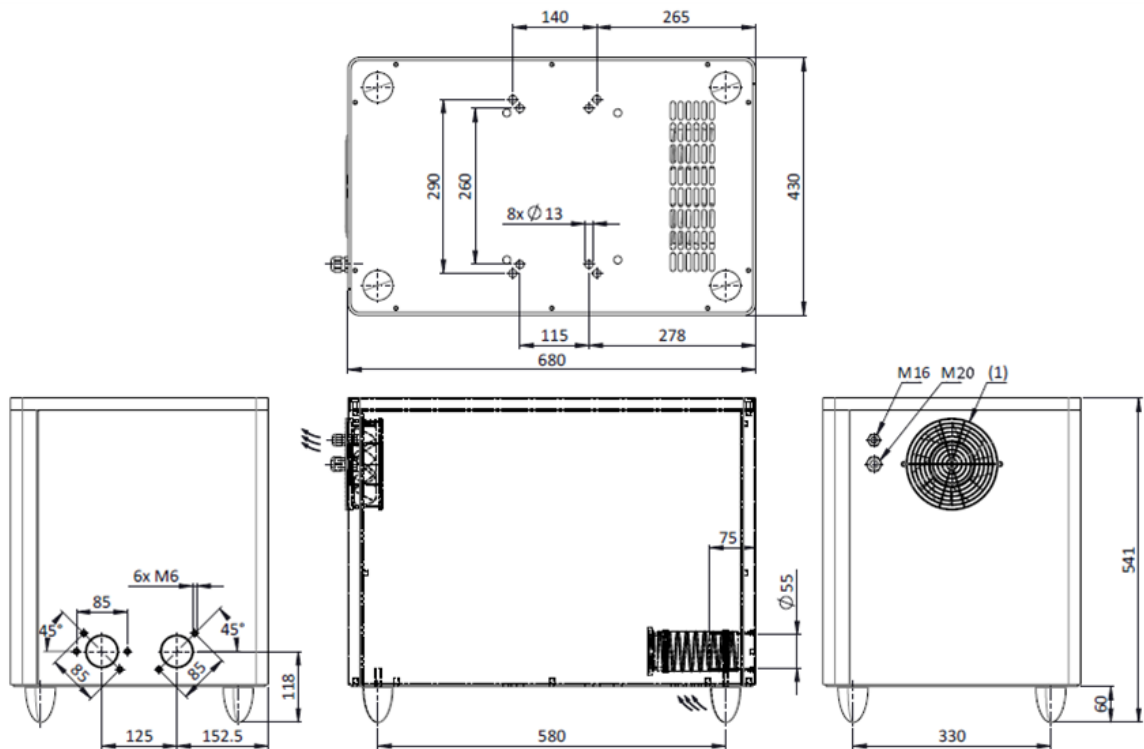
DIMENSION (IH3)



DIMENSION (IH4)



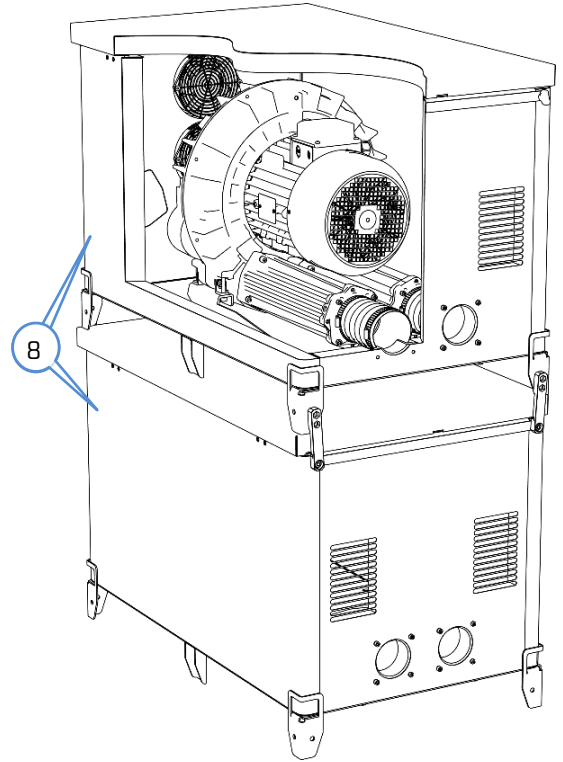
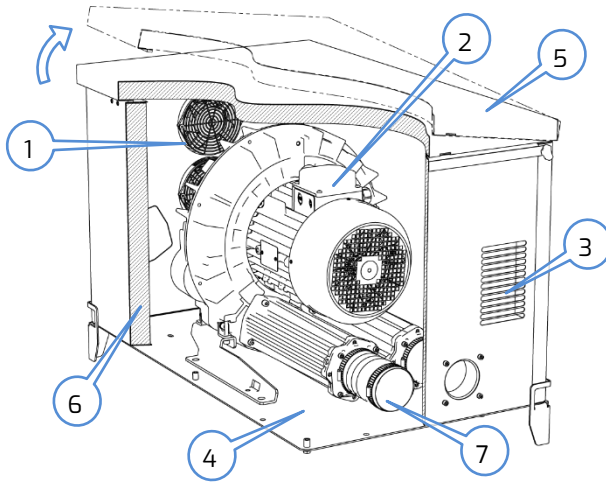
DIMENSION (IH5)



SOUNDPROOF CABINET - SC5M - SC6M - SC8M

CHARACTERISTICS:

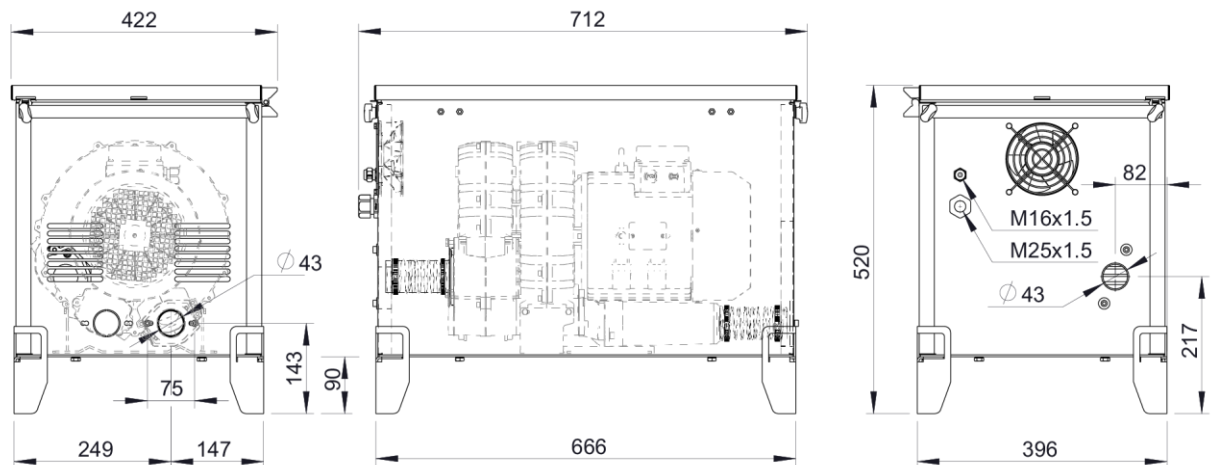
- Suitable for MOR blowers only.
- Suitable for outdoor installations.
- Noise reduction **10 dB(A)** max.
- With electric axial fan (1) removing heat, generated by the motor and blower (2).
- With air inlet grille for ventilation.(3).
- Steel sheet structure (4).
- Folding roof opening (90°), for blower installation/inspection (5).
- Internal coated with polyurethane foam (sound-absorbing material) (6).
- Complete with accessories for blower connection (7), assembly with 4 shock mounts washer
- Cabinet with feet.
- Palletizable.
- Stackable cabinet (max 2 pieces) (8).
- Paint RAL 9001.
- On request, available in assembly kit.



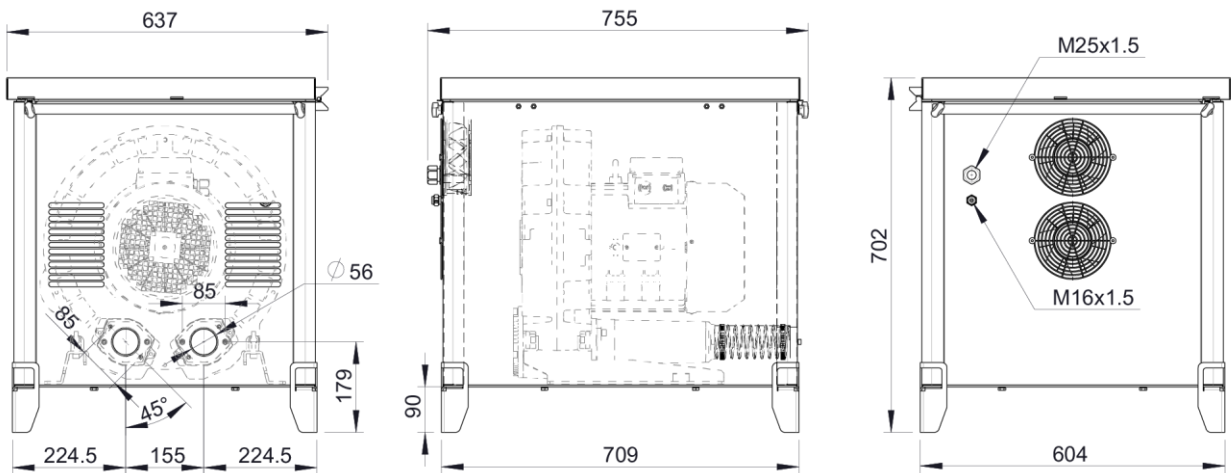
CODE	WEIGHT*	MOR BLOWER COMPATIBLE				AXIAL ELECTRIC FAN (1)							
	kg	MS	MD	TS	TD	q.tà	Hz	V	W	mA	Phase	Pole	IP
255C 5 M - 2	23				K04	1	50 60	230	22 19	135 111	1	2	54
255C 6 M - 2	40	K/e07 K/e08											
255C 6 M - 3	40			K05-66	K05 K06	2	50 60	230	46 44	300 280	1	2	54
255C 8 M - 1	51	K/e07 K/e08	K75		K05 K06								
255C 8 M - 2	52				K/e07 K/e08								

*- Weight cabinet only

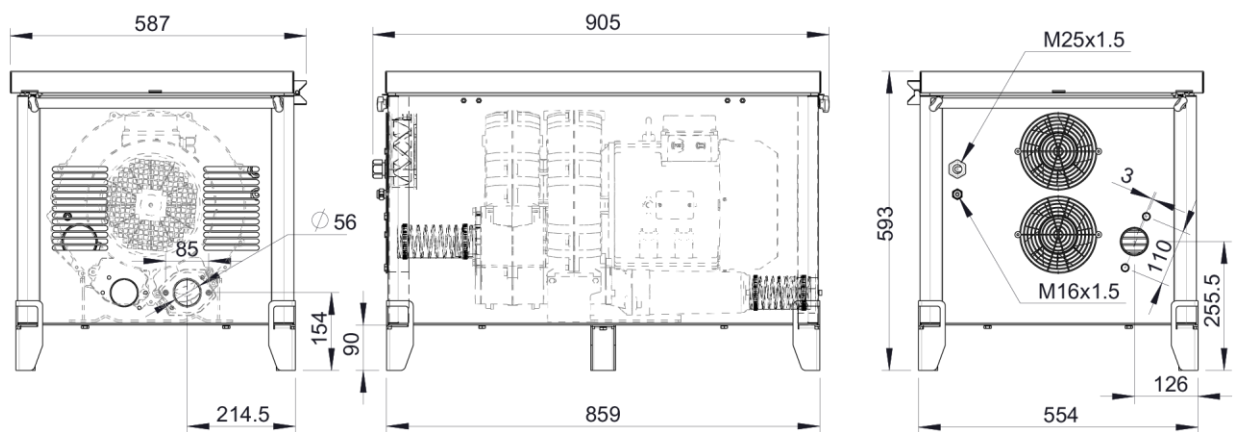
DIMENSION (SC5M-2)



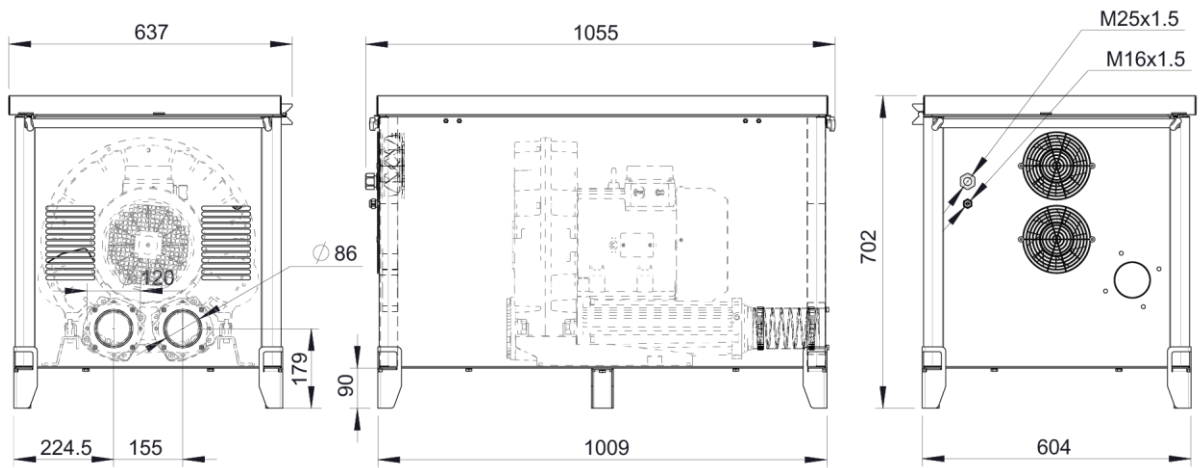
DIMENSION (SC6M-2)



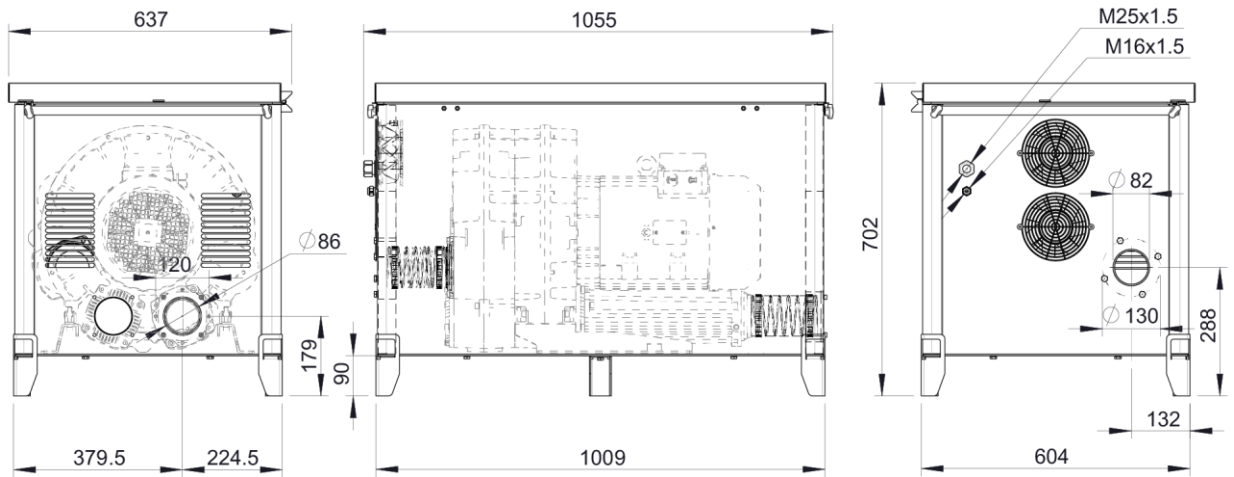
DIMENSION (SC6M-3)



DIMENSION (SC8M-1)



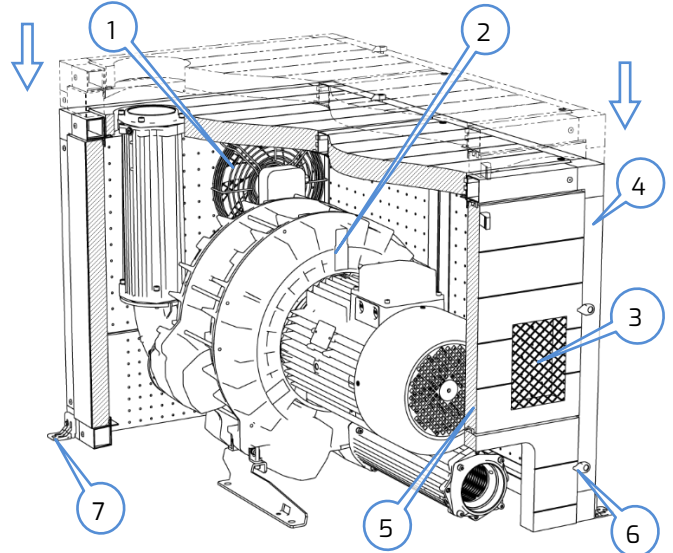
DIMENSION (SC8M-2)



SOUNDPROOF CABINET – SC9M – SC10M

CHARACTERISTICS:

- Suitable for MOR blowers only.
- Suitable for outdoor installations.
- Noise reduction **10 dB(A)** max.
- With electric axial fan (1) removing heat, generated by the motor and blower (2).
- With air inlet grille for ventilation.(3).
- Aluminium profile frame (4).
- Sandwich panels insulated with mineral wool (sound absorbing / sound insulation) (5).
- Demountable panels with block-panel (6).
- Assembly from top (drop on the blower).
- Floor fixing points available (x2) (7).
- Polyester painted panels RAL 7035.



255C9M-2 + e11TD

CODE	WEIGHT*	MOR BLOWER COMPATIBLE				AXIAL ELECTRIC FAN**([1])							
	kg	MS	MD	TS	TD	q,tà	Hz	V	W	A	Phase	Pole	IP
255C 9 M - 1	81	K09 K10	K09 K10	K/e07 K/e08		1	50 60	230	90 110	0.42 0.52	1	2	54
		K/e11 K/e12	K/e11 K/e12										
255C 9 M - 2	81				K09 K10 K/e11 K/e12								
255C 10 M	81			K09 K10									
				K/e11 K/e12									

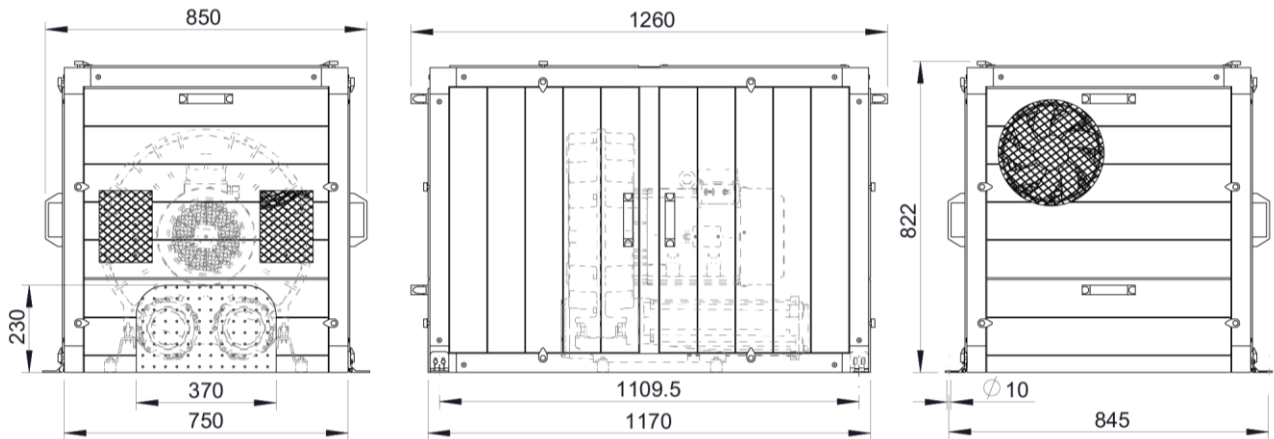
* - Cabinet weight only

** - Capacitor 3µF 450V

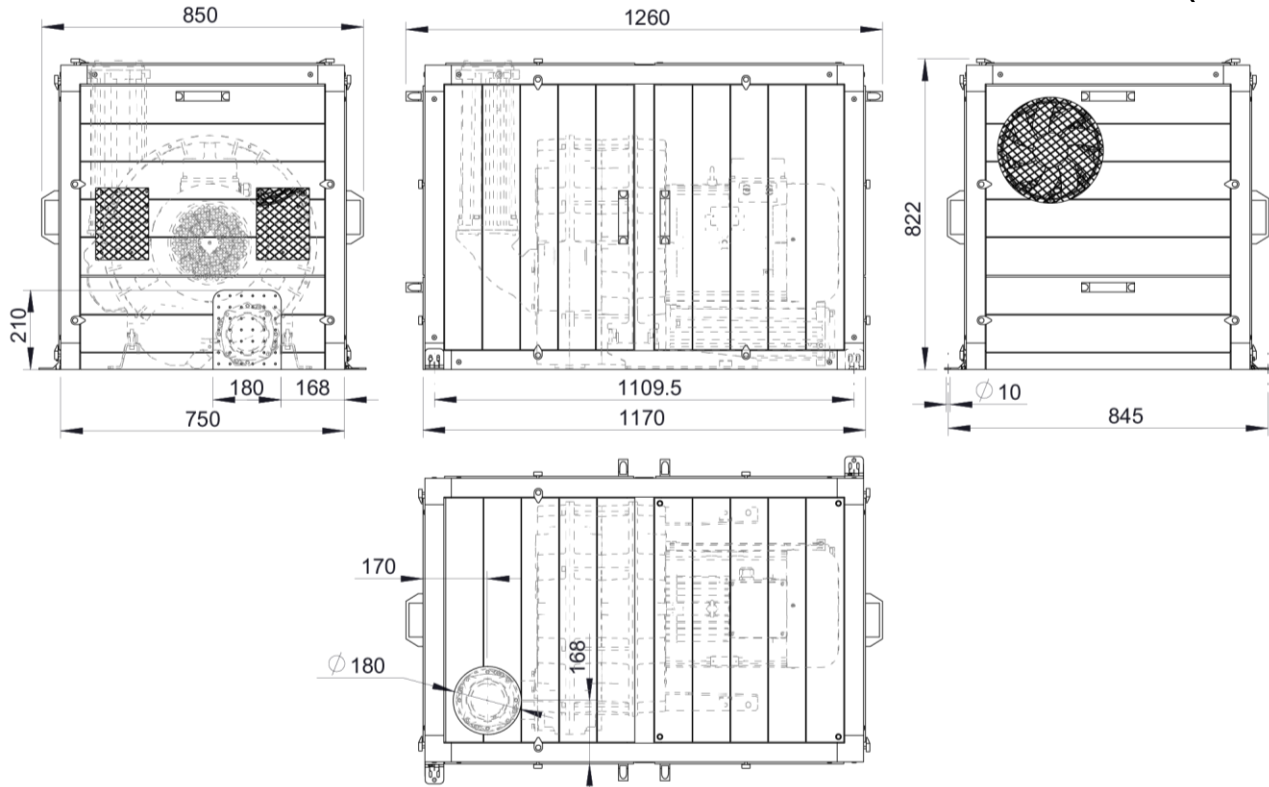
NOTE

- Stackable cabinets (255B accessory required) for max 2 units. Not applicable to cabinet code 255C9-2, only if used as a base (TD blower)
- To install 25FLxx filter Use:
 - for 255C9M-1 use 25CA9L
 - for 255C9M-2 use 25TR9
 - for 255C10M use 25CA10

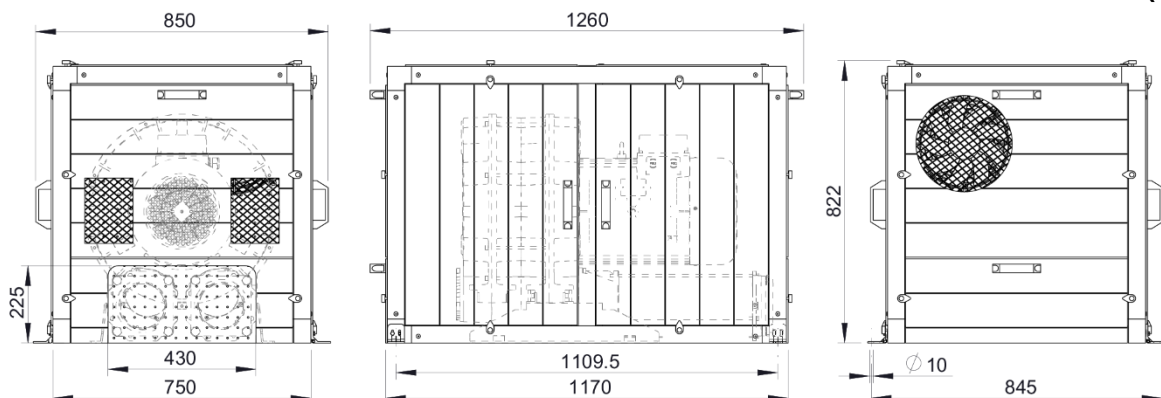
DIMENSION (SC9M-1)



DIMENSION (SC9M-2)



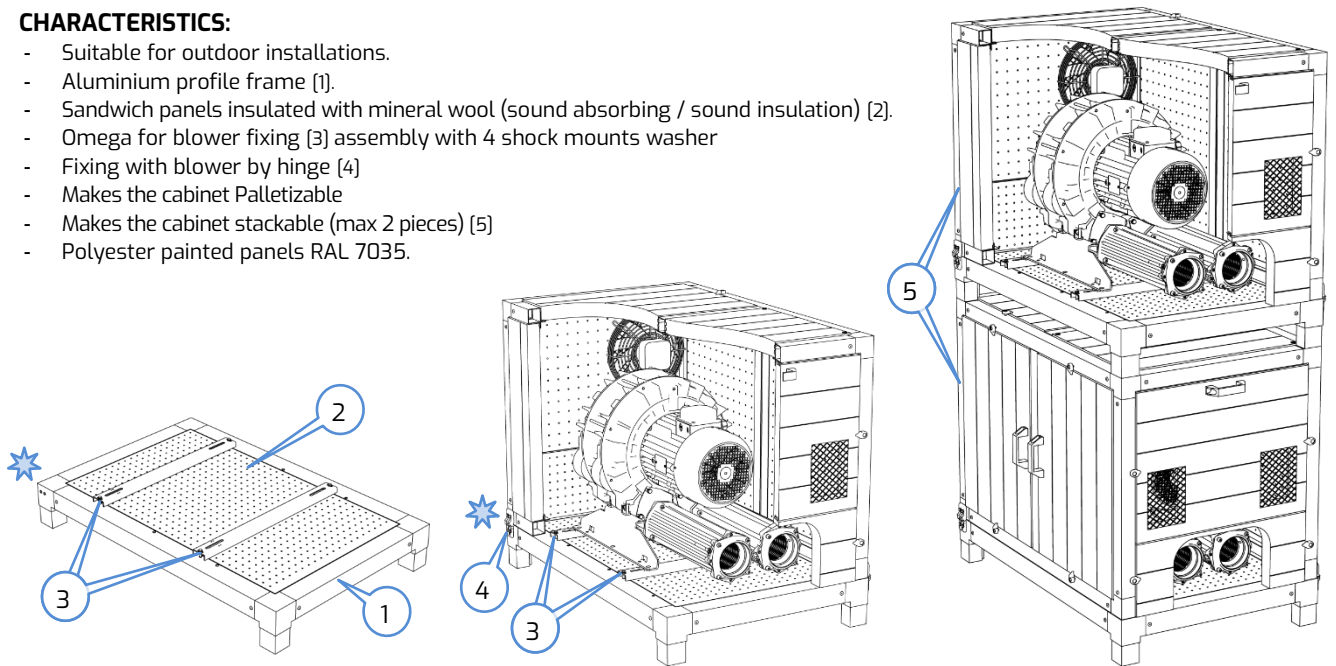
DIMENSION (SC10M)



SOUNDPROOF CABINET BASE - 25SB-1 (SUITABLE FOR SC9M-1 / SC9M-2 / SC10M)

CHARACTERISTICS:

- Suitable for outdoor installations.
- Aluminium profile frame (1).
- Sandwich panels insulated with mineral wool (sound absorbing / sound insulation) (2).
- Omega for blower fixing (3) assembly with 4 shock mounts washer
- Fixing with blower by hinge (4)
- Makes the cabinet Palletizable
- Makes the cabinet stackable (max 2 pieces) (5)
- Polyester painted panels RAL 7035.



DIMENSION (SB-1)



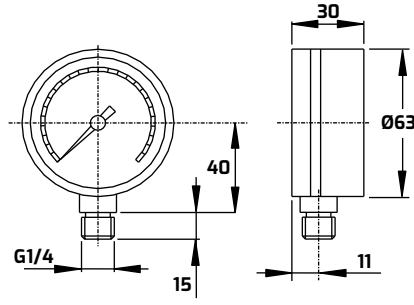
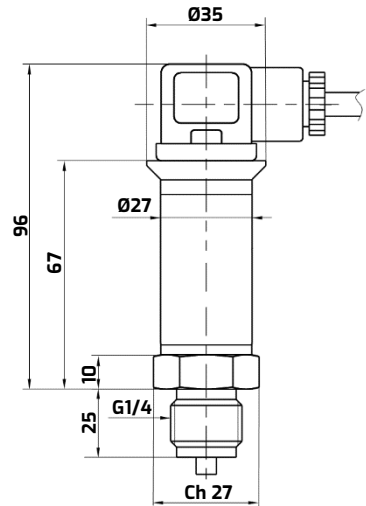


OMEGA POSITION FOR BLOWER INSTALLATION (4)

MS		K09	K10	K/e11	K/e12	
MD		K09	K10	K/e11	K/e12	
TS	K/e07	K/e08	K09	K10	K/e11	K/e12
TD		K09	K10	K/e11	K/e12	


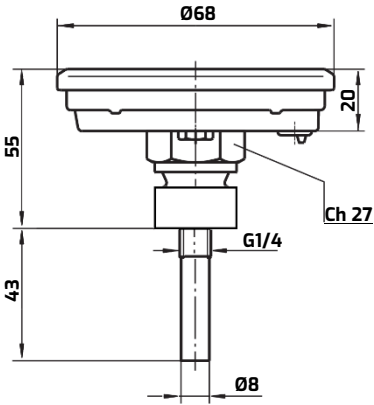
ACCESSORIES SUITABLE FOR ATEX ENVIRONMENT

PRESSURE MEASUREMENTS

	MECHANICAL	ELECTRONIC
	 <p>BOURDON The Original by Baumer</p> <p>EN-837 PED Lloyd's Register IP 65 Ex</p>	 <p>IP 65 IP 67 Ex Approved</p>
Model	MC030 MA040	TC420 TC010 TA420 TA010
Characteristics	Bourdon tube pressure gauge in steel, ideal for industrial-type use	Pressure transducer, accurate and reliable, suitable for use in heavy industrial environments. Allows acquisition of status and control of the system in question
ATEX classification	II 2 GDc T6	II 1 GD – Ex ia IIC T5
Range	0 ... 1000 mbar -1000 ... 0 mbar	0 ... 1000 mbar -1000 ... 0 mbar
Accuracy	1.6% FS	<0.3% FS ¹
Mechanical connection	G1/4	G1/4
Power supply	-	14-28 VDC
Output signal		4-20 [mA] 0-10 [V] 4-20 [mA] 0-10 [V]
Electrical connection	-	DIN 43650 plug
Protection	IP 65	IP 65
Dimensions	 <p>Dimensions: 30, 40, 15, 11, 063, G1/4</p>	 <p>Dimensions: 96, 67, 10, 25, 035, 027, 11, G1/4, Ch 27</p>

¹ The accuracy decreases by 0.6% FS every 10°C above 100°C

TEMPERATURE MEASUREMENTS

	MECHANICAL
	
Model	TE0160
Characteristics	Bimetallic thermometer for industrial use in stainless steel
ATEX classification	II 2 GDc Tx
Range	20°C ... 140°C
Accuracy	1% FS
Mechanical connection	G1/4
Power supply	-
Output signal	-
Electrical connection	-
Protection	IP 65
Dimensions	

FILTER

A device that stops particles of dust or debris carried by the gas, protecting the side channel blower as well as possible adjustment and safety devices. To be used with non-aggressive gases, such as manufactured gas (carbon monoxide), methane (natural gas) and LPG (liquefied petroleum gas).



Characteristics:

- Casing in cast aluminium (dimensions 230mm x 150mm)
- Filter element in washable synthetic material (viledon).
- Standard degree of filtration: 20 µm
- Filtering surface area: 10650 mm²
- Possible vertical installation
- Supplied with gaskets and screws for connection to the system
- Arranged for pressure sampling points upstream and downstream of the cartridge (G 1/4")
- EC approval according to EN 126
- In conformity with Directive 2009/142/EC (Gas Directive)
- In conformity with the 97/23/EC (PED)

Available on request:

- degree of filtration 50 and 10 µm.
- version treated (cataphoresis) for compatibility with work fluid containing H₂S

FILTER	Model	Flanged connections	Filtration degree (µm)	Weight (kg)	CARTRIDGE	Model	Filter	Dimensions	Weight (g)
	FF32J20	DN 32	20	3,06		25CF20M	FF32J20	140 x 105 x 35	56
FF40J20	DN 40	20	2,55	FF40J20					
FF50J20	DN 50	20	2,70	FF50J20					
FF09J20	DN 80	20	6,65	25CF209M	FF09J20	260 x 250 x120	100		
FF10J20	DN 100	20	11	25CF2010M	FF10J20	260 x 250 x230	200		
FF11J10	DN 125	10	11	25CF2011M	FF11J10	260 x 250 x330	1400		

ANTIVIBRATION JOINTS

A device allowing the machine to be uncoupled from the system, preventing the transmission of vibration and allowing the adjustment of any misalignments.



Characteristics:

- In AISI 316L stainless steel
- Anti-twisting grooving to avoid problems during assembly
- Supplied with gaskets and screws for connection to the system

Mod	DN	PN	mod SCL	Weight (kg)
25FM6X.	50	16	K05MS Atex 2G - Atex 2G/3G	8
			K06MS Atex 2G - Atex 2G/3G	
25FM5X.	40	16	R20-MD Atex 2G - Atex 2G/3G	7
			R30-MD Atex 2G - Atex 2G/3G	
			R40-MD Atex 2G - Atex 2G/3G	