

PRODUCT INFORMATION PACKET



Model No: C143T14FB2E
Catalog No: 121096.00
1HP..75kW.1425RPM.143.IP54.220/380V.3PH.50HZ.CONT.NOT.40C.1.15SF.RIGID.50
HERTZ.C143T14FB2E
50 Hz



Regal and Leeson are trademarks of Regal Beloit Corporation or one of its affiliated companies.

©2018 Regal Beloit Corporation, All Rights Reserved. MC017097E



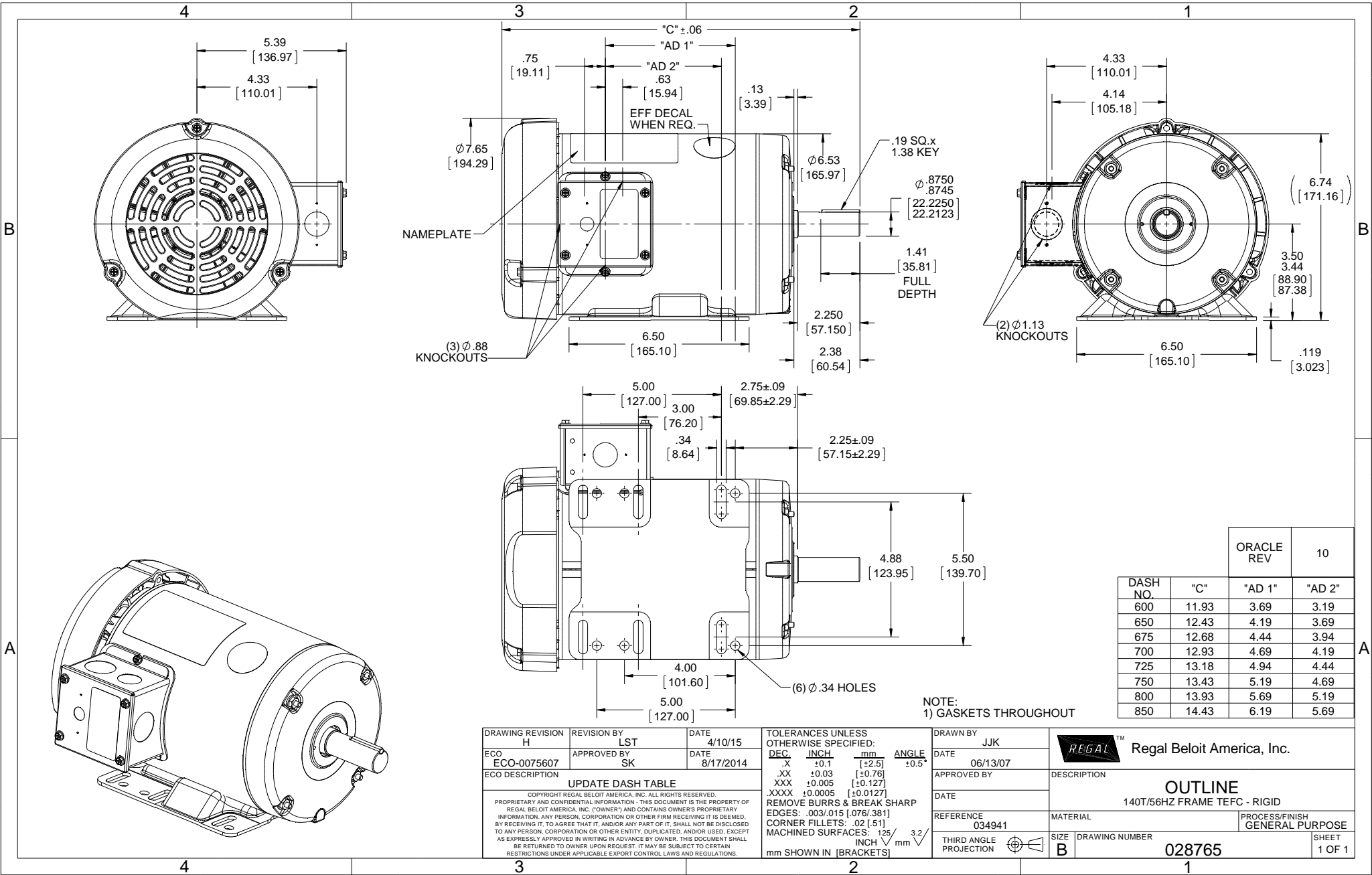


Nameplate Specifications

Output HP	1 Hp	Output KW	0.75 kW
Frequency	50 Hz	Voltage	220/380/440 V
Current	3.5/2.0/1.8 A	Speed	1425 rpm
Service Factor	1.15	Phase	3
Efficiency	77 %	Duty	Continuous
Insulation Class	B	Design Code	NO DESIGN CODE
KVA Code	J	Frame	143T
Enclosure	Totally Enclosed Fan Cooled	Overload Protector	No
Ambient Temperature	40 °C	Drive End Bearing Size	6205
Opp Drive End Bearing Size	6203	UL	Recognized
CSA	Y	CE	Y
IP Code	43		

Technical Specifications

Electrical Type	Squirrel Cage Induction Run	Starting Method	Across The Line
Poles	4	Rotation	Reversible
Mounting	Rigid base	Motor Orientation	HORIZONTAL
Drive End Bearing	BALL	Opp Drive End Bearing	BALL
Frame Material	Rolled Steel	Shaft Type	T
Overall Length	12.43 in	Frame Length	6.50 in
Shaft Diameter	0.875 in	Shaft Extension	2.25 in
Assembly/Box Mounting	F1 ONLY		
Outline Drawing	028765-650	Connection Diagram	005381.01

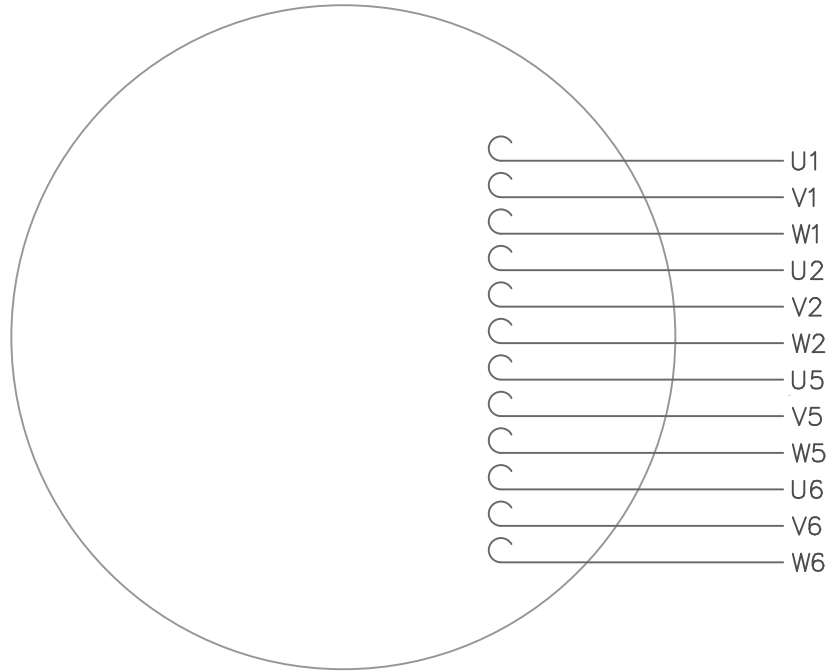


DASH NO.	"C"	"AD 1"	"AD 2"	ORACLE REV	10
600	11.93	3.69	3.19		
650	12.43	4.19	3.69		
675	12.68	4.44	3.94		
700	12.93	4.69	4.19		
725	13.18	4.94	4.44		
750	13.43	5.19	4.69		
800	13.93	5.69	5.19		
850	14.43	6.19	5.69		

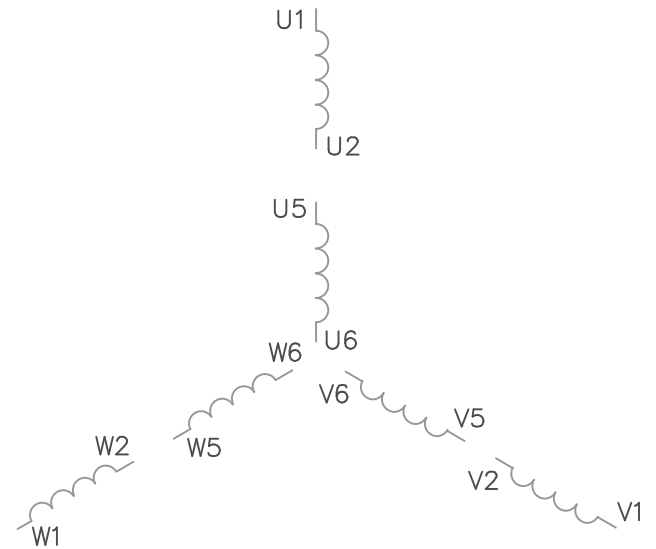
NOTE:
1) GASKETS THROUGHOUT

DRAWING REVISION H	REVISION BY LST	DATE 4/10/15	TOLERANCES UNLESS OTHERWISE SPECIFIED: DEC INCH mm ANGLE	DRAWN BY JJK	Regal Beloit America, Inc.
ECO ECO-0075607	APPROVED BY SK	DATE 8/17/2014	.X ±0.1 [+2.5] .XX ±0.03 [+0.76] .XXX ±0.005 [+0.127] .XXXX ±0.0005 [+0.0127]	DATE 06/13/07	
ECO DESCRIPTION UPDATE DASH TABLE			REMOVE BURRS & BREAK SHARP EDGES: .003/.015 [.076/.381] CORNER FILLETS: .02 [.51] MACHINED SURFACES: 125 INCH/mm 3.2	APPROVED BY	DESCRIPTION OUTLINE 140T/56HZ FRAME TEFC - RIGID
COPYRIGHT REGAL BELOIT AMERICA, INC. ALL RIGHTS RESERVED. PROPRIETARY AND CONFIDENTIAL INFORMATION - THIS DOCUMENT IS THE PROPERTY OF REGAL BELOIT AMERICA, INC. (OWNER) AND CONTAINS OWNER'S PROPRIETARY INFORMATION. ANY PERSON, CORPORATION OR OTHER FIRM RECEIVING IT IS DEEMED, BY RECEIVING IT, TO AGREE THAT IT, AND/OR ANY PART OF IT, SHALL NOT BE DISCLOSED TO ANY PERSON, CORPORATION OR OTHER ENTITY, DUPLICATED, AND/OR USED, EXCEPT AS EXPRESSLY APPROVED IN WRITING IN ADVANCE BY OWNER. THIS DOCUMENT SHALL BE RETURNED TO OWNER UPON REQUEST. IT MAY BE SUBJECT TO CERTAIN RESTRICTIONS UNDER APPLICABLE EXPORT CONTROL LAWS AND REGULATIONS.			REFERENCE 034941	MATERIAL	PROCESS/FINISH GENERAL PURPOSE
			THIRD ANGLE PROJECTION	SIZE B	DRAWING NUMBER 028765
					SHEET 1 OF 1

VIEW FROM OUTSIDE OF MOTOR AT SWITCH END.



LINE LEADS



VOLTAGE	L1	L2	L3	JOIN
(2Δ) LOW	U1,W2 U5,W6	V1,U2 V5,U6	W1,V2 W5,V6	-----
(2Y) MEDIUM	U1,U5	V1,V5	W1,W5	(U2,V2,W2) (U6,V6,W6)
(1Δ) HIGH	U1,W6	V1,U6	W1,V6	(U2,U5) (V2,V5) (W2,W5)

TOLERANCES UNLESS OTHERWISE SPECIFIED

DECIMALS

.00 ± .01

.000 ± .005

.0000 ± .0005

FRACTIONS ± 1/64

ANGLES ± 1/2°

INCH/MM

LEESON ELECTRIC CORPORATION

DRAWN GWS 2/23/96

CH'K'D.

APPR.

SCALE 1=1

REF. 005352 PG 3

FMF

TITLE

MAT'L.

FINISH

EXT. WIRING DIAGRAM
TYPE "T" W/O PROTECTOR

DECAL - 080590

STOCK

SIZE

A

DRAWING NO.

005381-01

1 REDRAWN TO CURRENT STANDARDS DBT 05/30/97

NO. REVISION BY DATE

THIS DRAWING IN DESIGN AND DETAIL IS OUR PROPERTY
AND MUST NOT BE USED EXCEPT IN CONNECTION WITH OUR WORK
ALL RIGHTS OF DESIGN AND INVENTION ARE RESERVED

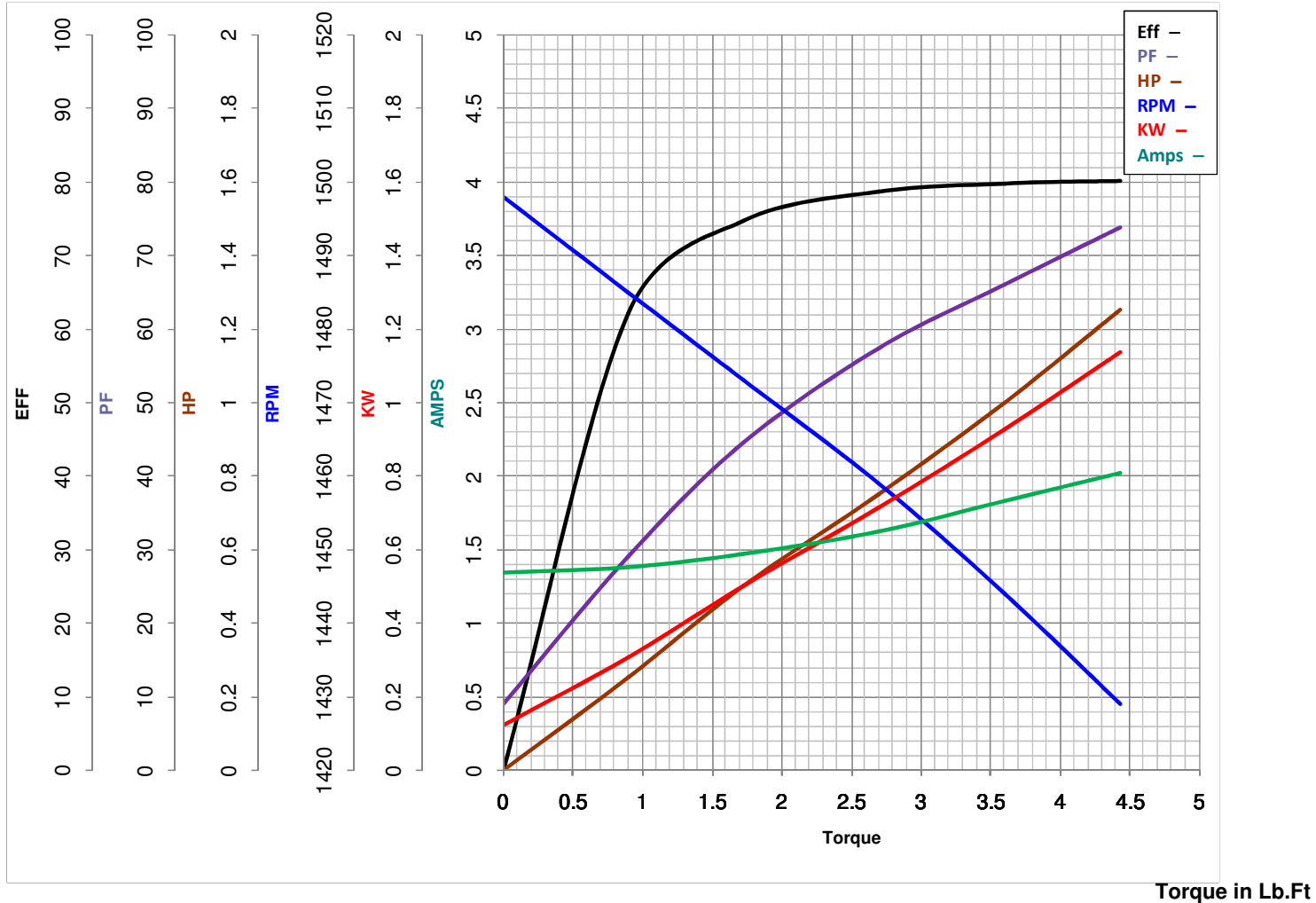


LEESON ELECTRIC CORPORATION
TYPICAL PERFORMANCE CURVE for AC MOTOR

Model No 121096.00

Catalog No 121096.00

Curve at 440 Volts HP 1.00 PHASE 3
50 HZ
1 HP VOLTS 220/380/440
HZ 50 RPM 1425



FL TORQUE	<u>3.6</u>	Lb.Ft	FL AMPS	<u>3.5/2/1.75</u>
BD TORQUE	<u>11.5</u>	Lb.Ft	PU TORQUE	<u>8.6</u> Lb.Ft
LR TORQUE	<u>8.9</u>	Lb.Ft	LR AMPS	<u>8.64</u>
WINDING	T634219-4		Date	5/28/2018