

## Stainless Steel-Cabinet "U" handles

### SPECIFICATION

#### Types

- Type **A**: Mounting from the back (threaded blind bore)
- Type **B**: Mounting from the operator's side

Stainless Steel

- AISI 304
- Type B (size 20): Fine die casting, AISI CF-8
- matte shot-blasted **GS**
- slip polished, shiny metallic **GP** (only Type A)

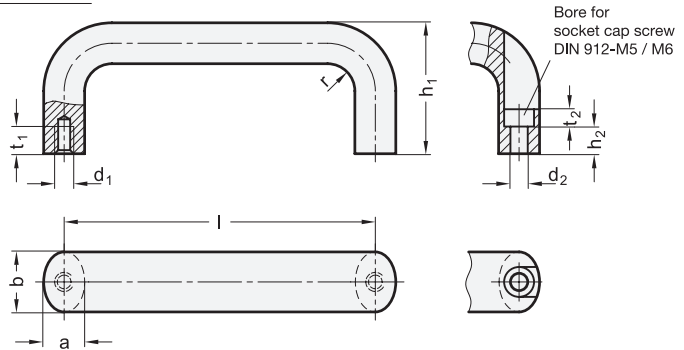
### INFORMATION

The special features of Stainless Steel-Cabinet „U" handles GN 565.5 are their rigidity and ergonomical shaping.

Stainless Steel-Cabinet „U" handles (Type A) are produced from profiled extrusions. The manufacturing process (bending) allows the production of **special lengths** in relatively small quantities.

### TECHNICAL INFORMATION

- Stainless Steel characteristics (see page A26)
- Load rating information (see page A35)



### GN 565.5

STAINLESS STEEL

| Description          | b  | l ±0.25 | a  | d1  | d2  | h1 | h2   | r  | t1 min. | t2  | ⚖    |
|----------------------|----|---------|----|-----|-----|----|------|----|---------|-----|------|
| GN 565.5-20-112-A-GS | 20 | 112     | 13 | M 6 | -   | 49 | -    | 13 | 10      | -   | 280  |
| GN 565.5-20-128-A-GS | 20 | 128     | 13 | M 6 | -   | 51 | -    | 13 | 10      | -   | 300  |
| GN 565.5-20-160-A-GS | 20 | 160     | 13 | M 6 | -   | 51 | -    | 13 | 10      | -   | 360  |
| GN 565.5-20-200-A-GS | 20 | 200     | 13 | M 6 | -   | 51 | -    | 13 | 10      | -   | 420  |
| GN 565.5-20-250-A-GS | 20 | 250     | 13 | M 6 | -   | 51 | -    | 13 | 10      | -   | 517  |
| GN 565.5-20-300-A-GS | 20 | 300     | 13 | M 6 | -   | 51 | -    | 13 | 10      | -   | 580  |
| GN 565.5-20-400-A-GS | 20 | 400     | 13 | M 6 | -   | 51 | -    | 13 | 10      | -   | 737  |
| GN 565.5-26-128-A-GS | 26 | 128     | 17 | M 8 | -   | 57 | -    | 19 | 12      | -   | 520  |
| GN 565.5-26-160-A-GS | 26 | 160     | 17 | M 8 | -   | 57 | -    | 19 | 12      | -   | 600  |
| GN 565.5-26-200-A-GS | 26 | 200     | 17 | M 8 | -   | 57 | -    | 19 | 12      | -   | 715  |
| GN 565.5-26-300-A-GS | 26 | 300     | 17 | M 8 | -   | 57 | -    | 19 | 12      | -   | 990  |
| GN 565.5-26-400-A-GS | 26 | 400     | 17 | M 8 | -   | 57 | -    | 19 | 12      | -   | 1260 |
| GN 565.5-26-500-A-GS | 26 | 500     | 17 | M 8 | -   | 57 | -    | 19 | 12      | -   | 1525 |
| GN 565.5-20-112-A-GP | 20 | 112     | 13 | M 6 | -   | 49 | -    | 13 | 10      | -   | 293  |
| GN 565.5-20-128-A-GP | 20 | 128     | 13 | M 6 | -   | 51 | -    | 13 | 10      | -   | 300  |
| GN 565.5-20-160-A-GP | 20 | 160     | 13 | M 6 | -   | 51 | -    | 13 | 10      | -   | 360  |
| GN 565.5-20-200-A-GP | 20 | 200     | 13 | M 6 | -   | 51 | -    | 13 | 10      | -   | 440  |
| GN 565.5-26-128-A-GP | 26 | 128     | 17 | M 8 | -   | 57 | -    | 19 | 12      | -   | 513  |
| GN 565.5-26-160-A-GP | 26 | 160     | 17 | M 8 | -   | 57 | -    | 19 | 12      | -   | 595  |
| GN 565.5-26-200-A-GP | 26 | 200     | 17 | M 8 | -   | 57 | -    | 19 | 12      | -   | 705  |
| GN 565.5-20-112-B-GS | 20 | 112     | 13 | -   | 5.4 | -  | 13.5 | 13 | -       | 5.5 | 240  |
| GN 565.5-20-128-B-GS | 20 | 128     | 13 | -   | 5.4 | -  | 13.5 | 13 | -       | 5.5 | 280  |
| GN 565.5-20-160-B-GS | 20 | 160     | 13 | -   | 5.4 | -  | 13.5 | 13 | -       | 5.5 | 340  |
| GN 565.5-26-128-B-GS | 26 | 128     | 17 | -   | 6.4 | -  | 11   | 19 | -       | 6   | 451  |
| GN 565.5-26-160-B-GS | 26 | 160     | 17 | -   | 6.4 | -  | 11   | 19 | -       | 6   | 463  |
| GN 565.5-26-200-B-GS | 26 | 200     | 17 | -   | 6.4 | -  | 11   | 19 | -       | 6   | 769  |

