

Split Gears

When using an AI-Tek speed sensor in RPM measurement, split gears provide a convenient and simple means of installation where shaft disassembly is not feasible. The two halves of the gear are fastened with clamping screws, thus assuring close fit. All split gears are 12 diametral pitch, 14.5° pressure angle.

Solid Gear

AI-Tek also offers a 20 diametral pitch, 14.5° pressure angle, solid steel gear. This gear can be rebored to fit shaft diameters up to 1.375". It is secured to the shaft with 2 set screws.

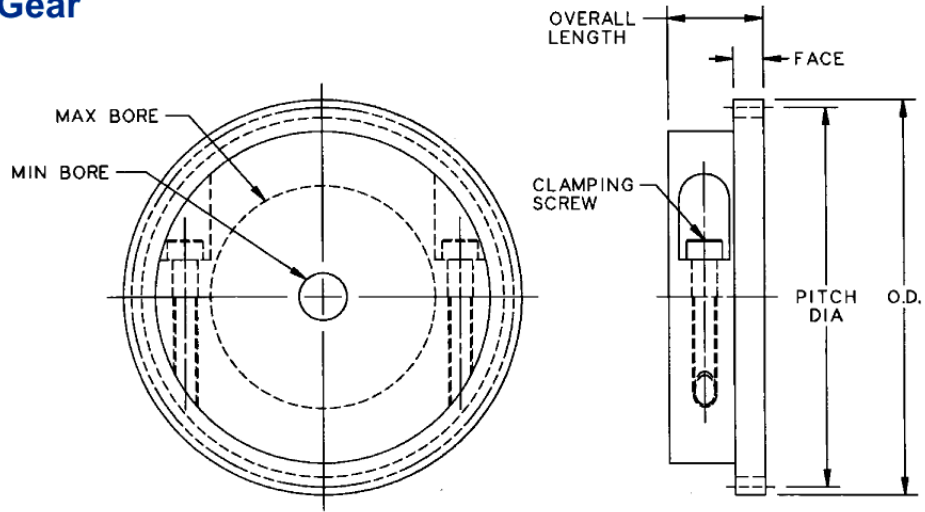
Note: Gears are supplied with minimum bores as shown. Alternate bores within the minimum and maximum limits are available at additional cost.

Caution: Gears may shatter if not installed to specifications or if operated above maximum RPM.



Dimensions of Steel Split Gears									
Part No.	Pitch Dia., In.	O.D. Inches	No. of Teeth	Tooth Face, In.	Overall Length, In.	Std. Bore Dia., In.	Max. Bore Dia., In.	Approx. Wt., Lbs.	Max. RPM
G79870-202-1800	4.000	4.166	48	.312	1.000	0.500	2.125	3.0	8400
G79870-202-1901	5.000	5.166	60	.312	1.000	1.000	3.125	5.0	5900
G79870-202-2001	6.000	6.166	72	.312	1.000	1.000	4.000	7.0	5900
G79870-202-2101	8.000	8.166	96	.312	1.125	1.000	5.750	15.0	4500
G79870-202-2201	10.000	10.166	120	.312	1.250	1.000	7.500	26.0	3000
G79870-202-4233	15.000	15.166	180	.375	1.375	7.500	12.000	48.0	2400
Dimensions of Solid Steel Gear									
G79870-202-0967	3.000	3.100	60	.375	0.875	0.375	1.375	1.2	6000

Steel Split Gear



Solid Steel Gear

