

# CENTRIFUGAL BLOWERS

---

## JET SERIES

**Jet Series centrifugal blowers are ideal for air knife drying, vacuum, cooling, & exhaust applications.**

JetAir's blowers feature belt-free DirectDrive<sup>™</sup> technology. They are enabled by a high-speed motor and an aerodynamically designed impeller. DirectDrive<sup>™</sup> enhances reliability and boosts performance by eliminating belts, tensioning devices, and complex spindle assemblies. Jet Series blowers are engineered for moderate flow and pressure applications from 10HP to 40HP [7.5-30kW]. Their compact design enables them to fit into the widest range of OEM equipment.

## MEET THE FAMILY

---

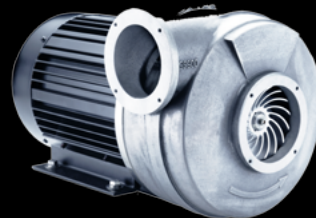
**JET-2G<sup>™</sup>**



**JET-1<sup>™</sup>**



**JET-5<sup>™</sup>**



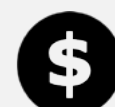



**JET-3<sup>™</sup>**









	JET-1 <sup>™</sup>	JET-2G <sup>™</sup>	JET-3 <sup>™</sup>	JET-5 <sup>™</sup>
<b>POWER</b>	5-10HP [3.7-7.5kW] <b>Flow:</b> 760cfm [1280M3Hr] <b>Pressure:</b> 65"WG [160mBar] <b>Vacuum:</b> 58"WG [145mBar]	10-20HP [7.5-15kW] <b>Flow:</b> 1350cfm [2300M3Hr] <b>Pressure:</b> 95"WG [240mBar] <b>Vacuum:</b> 85"WG [210mBar]	10-20HP [7.5-15kW] <b>Flow:</b> 1200cfm [2040M3Hr] <b>Pressure:</b> 110" WG [275mBar] <b>Vacuum:</b> 96" WG [240mBar]	30-40HP [22-30kW] <b>Flow:</b> 2200cfm [3738M3Hr] <b>Pressure:</b> 140" WG [350mBar] <b>Vacuum:</b> 120" WG [300mBar]
<b>DIM.</b>	11.34"[288]W 17.60"[447]L 9.91"[251.6]H	13.70"[348]W 18.32"[465]L 12.84"[326]H	13.70"[348]W 12.10"[485]L 12.27"[311]H	15.89"[403]W 23.04"[585]L 14.00"[356]H
<b>MOTOR</b>	TEFC, IP54, External Junction Box 3-Phase, 190-220, 390-480VAC, 50/60Hz, Thermistor, 105°F [40°C] Ambient	TEFC, IP54, External Junction Box 3-Phase, 190-220, 390-480VAC, 50/60Hz, Thermistor, 105°F [40°C] Ambient	TEFC, IP54, External Junction Box 3-Phase, 190-220, 390-480VAC, 50/60Hz, Thermistor, 105°F [40°C] Ambient	TEFC, IP54, External Junction Box 3-Phase, 190-220, 390-480VAC, 50/60Hz, Thermistor, 105°F [40°C] Ambient
<b>CXN</b>	<b>Inlet:</b> 4"Ø [102mm] <b>Outlet:</b> 4"Ø [102mm] 360° Rotation	<b>Inlet:</b> 5"Ø [126mm] <b>Outlet:</b> 4"Ø [102mm] 360° Rotation	<b>Inlet:</b> 5"Ø [126mm] <b>Outlet:</b> 4"Ø [102mm] 360° Rotation	<b>Inlet:</b> 5"Ø [126mm] <b>Outlet:</b> 4"Ø [102mm] 360° Rotation
<b>WT.</b>	67 lbs. [31 kg]	79 lbs. [36 kg]	79 lbs. [36 kg]	180 lbs. [82 kg]
<b>DIRECTDRIVE</b>	 <p><b>Jet Series Advantages:</b> More reliability • More efficiency • More compact Lower maintenance costs • Lower electrical consumption Overnight delivery • Single stage centrifugal compressor Oil-less, spindle free design</p>			

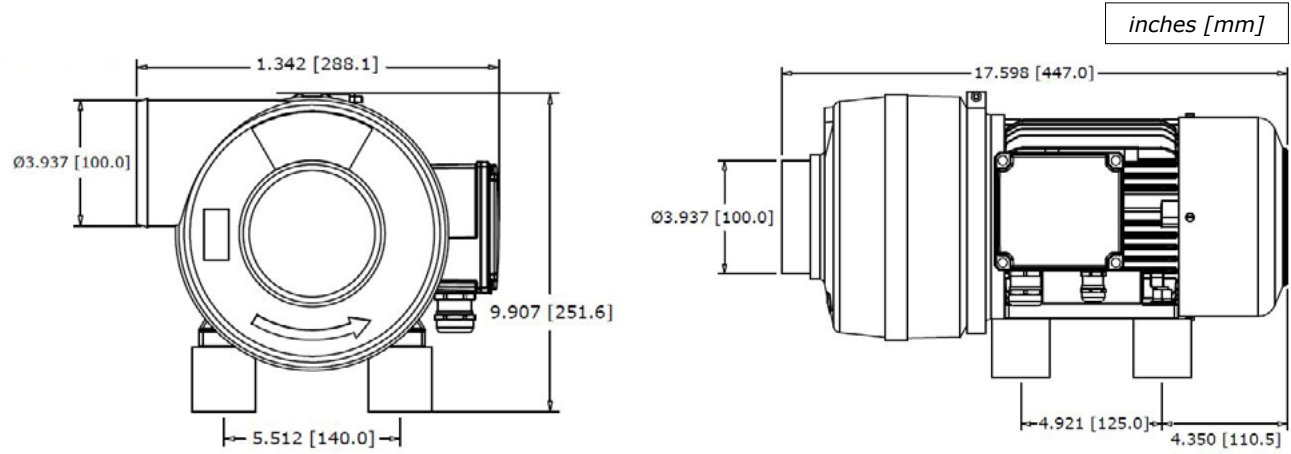
**Blower Highlights**

 <b>RELIABLE</b> <b>Jet Series blowers include:</b> <ul style="list-style-type: none"> <li>Built-in motor protection</li> <li>Ultra-precise balancing</li> <li>Air cooled</li> <li>Fewer parts</li> <li>Long service life</li> <li>Low maintenance costs</li> <li>No belts</li> <li>Warranty</li> </ul>	 <b>SMART</b> <b>Variable Frequency Drive (VFD) control enables:</b> <ul style="list-style-type: none"> <li>Precise airflow settings</li> <li>Lower utility expenses</li> <li>PLC connectivity</li> <li>Motor protection</li> <li>Nonspiking soft-starts</li> </ul>	 <b>EFFICIENT</b> <b>Jet Series blowers offer:</b> <ul style="list-style-type: none"> <li>1 year payback</li> <li>85% savings over compressed air</li> <li>Belt-free reliability</li> <li>10-12% more efficiency than belted blowers</li> <li>The lowest delivery costs</li> </ul>	 <b>WELL DESIGNED</b> <b>IMPELLER:</b> <ul style="list-style-type: none"> <li>5 axis C355 aluminium</li> </ul> <b>BLOWER:</b> <ul style="list-style-type: none"> <li>A356-T6 aluminum with integrated lifting eye</li> <li>Wash-down cover available</li> </ul> <b>FOOTPRINT:</b> <ul style="list-style-type: none"> <li>10-40HP in less than 24"</li> </ul>
--	--	---	---

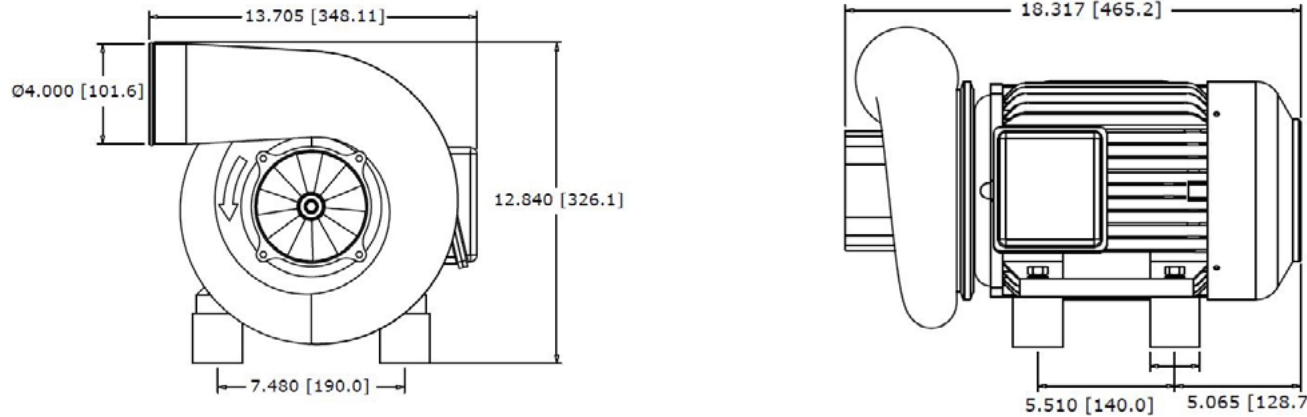
**Blower Usage**

<b>BEVERAGE</b>	 <ul style="list-style-type: none"> <li>Dry for labeling, coding, inspection, &amp; secondary packaging</li> <li>Single file or mass flow</li> <li>Clean containers using ionized air before filling</li> </ul>	<b>POWDER</b>	 <ul style="list-style-type: none"> <li>Dry powder blenders of any size</li> <li>Remove statically charged powder from container interiors and exteriors</li> </ul>
<b>FOOD</b>	 <ul style="list-style-type: none"> <li>Dry for labeling, coding, &amp; secondary packaging</li> <li>Smooth &amp; cure coatings</li> <li>Remove loose product</li> <li>Remove excess water</li> <li>Dry conveyors</li> <li>Move product</li> </ul>	<b>PHARMA</b>	 <ul style="list-style-type: none"> <li>Dry pouches - gusseted, pillow, etc.</li> <li>Air rinse and/or dry containers with HEPA-filtered air</li> <li>Remove debris</li> <li>Dry IV bags</li> </ul>
<b>INDUSTRIAL</b>	 <ul style="list-style-type: none"> <li>Machine tool coolant removal</li> <li>Dry sheets, crates, &amp; wire</li> <li>Dry large applications</li> <li>Debris, bead blast, &amp; casting sand removal</li> <li>Dry before coding</li> <li>Edge curing</li> <li>Cooling</li> </ul>	<b>MORE</b>	 <ul style="list-style-type: none"> <li><b>Automotive:</b> Battery process drying, pre-paint ionized air rinse, parts blow-off</li> <li><b>Textile:</b> Vacuum cutting tables</li> <li><b>Customized Solutions:</b> Engineered-to-order systems for drying and air rinsing applications</li> </ul>

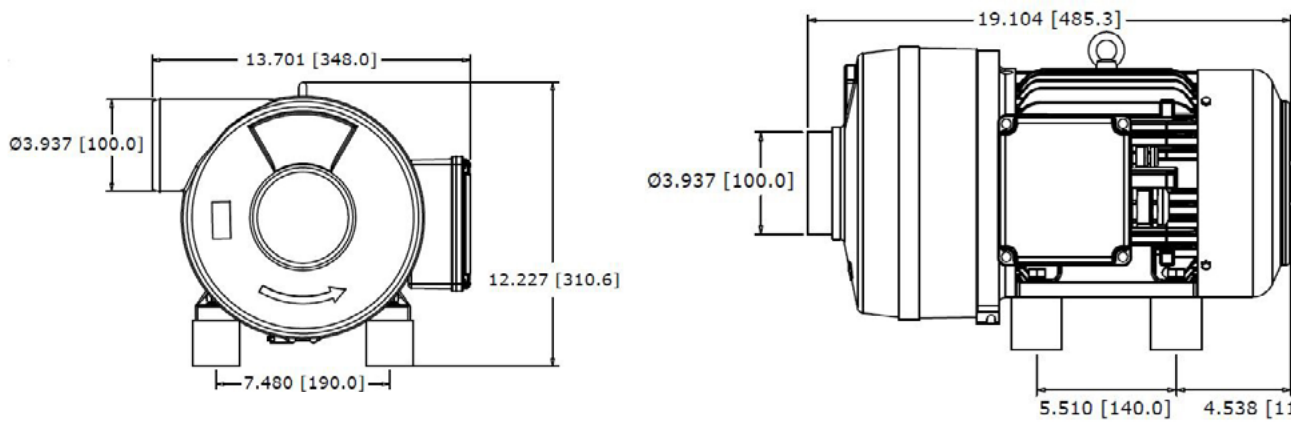
JET-1™



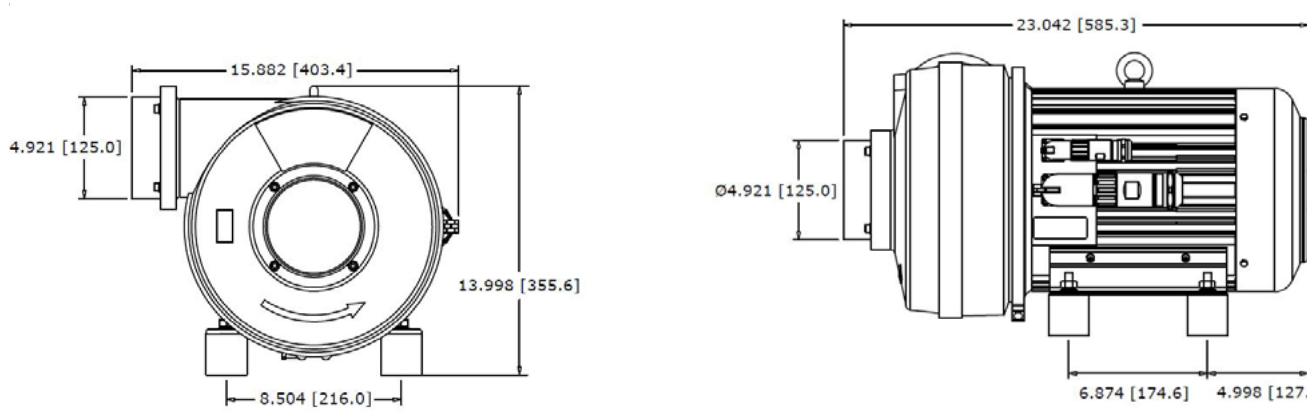
JET-2G™



JET-3™



JET-5™



## Blower Curves

Variable frequency drive allows blowers to run at different speeds as shown below.

