

RE.0 444 NV

DC Tachogenerator

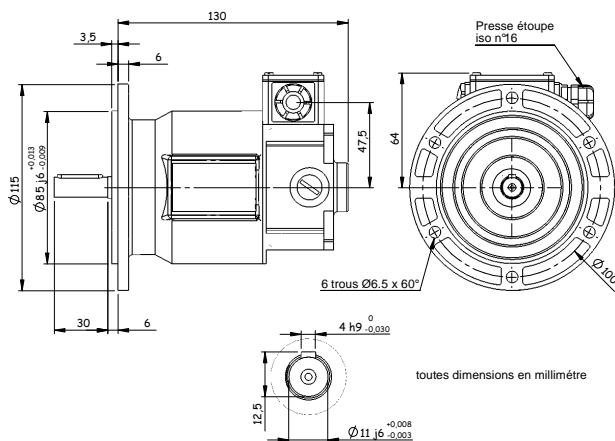


- Applications :**
- Industry
 - Speed control & regulation

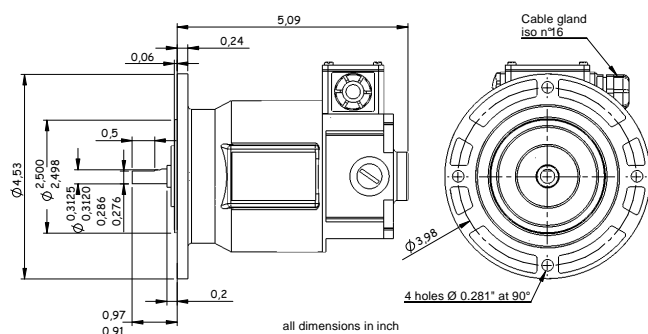
- Descriptions :**
- New design with terminal box
 - Magnetic circuit intended for standard industrial applications
 - Flange mounting only
 - Available with temperature compensation



RE.0444 NV – B5 flange



RE.0444 NV – US flange



MAIN CHARACTERISTICS

DESCRIPTION	SYMB	VALUE
Max. speed	n_m	12 000 rpm
Moment of inertia	J	0,95 Kg cm ²
No-load driving torque	M_r	1,5 N.cm
Max. radial shaft stress	F	0,4 (Ø7) / 1,0 (Ø11) da N
Maximum E.M.F.	E_m	300 V
Maximum linearity error	ΔE	$\leq 0,15 \% E_T$
Overall ripple rate (peak to peak)	ΔE_c	$\leq 0,5 \% E_c$
Rotation harmonics (f=2 p.n)	ΔE_p	$\leq 0,2 \% E_c$
Slots harmonics (f=Z.n.)	ΔE_z	$\leq 0,3 \% E_c$
Calibration precision	ΔE_o	+ 1 % E_{T_0}
E.M.F. temperature drift		
Not compensated	ΔE_c	0,02 %/°C
Compensated		0,005 %/°C
Time constant	C_t	2,5 ms
*Filter :		
Time constant of filter		0,47 ms
Load current	L_c	5 mA
Speed	n	3000 rpm

CONSTRUCTION DETAILS

Number of poles	2
Armature slots number	19
Commutator blades number	19
Insulation class	B (IEC 34-1)
Operating temperature	-30 / +130 °C
Climatic protection	C _a (IEC 68-1)
Ingress protection	IP44 (IEC 34-5)
Direction of rotation	reversible
Excitation	Permanent magnets Alnico
Weight	1,8 kg

RE.0 444 NV

DC Tachogenerator

MECHANICAL OPTIONS

	MOUNTING SIDE				Ball-bearing	OPPOSITE
	D (mm)	L (mm)	F (mm)	GA (mm)		MOUNTING SIDE
RE.0444 NV standard	11	30	4	12,5	12 x 28 x 8 ZZ	Ball-bearing 8 x 22 x 7 ZZ
RE.0444 NV	7	30	2	8	12 x 28 x 8 ZZ	8 x 22 x 7 ZZ
RE.0444 NV – US version					12 x 28 x 8 ZZ	8 x 22 x 7 ZZ



Markings and polarity of terminals (cables) for counter-clockwise rotation, seen from the shaft

A1 : +

A2 : -

ELECTRICAL OPTIONS

DESCRIPTION	SYMB	UNIT	VALUES				
			20	40	50	60	100
Voltage at 1 000 rpm	E_n	V					
Voltage gradient	C_v	V / rpm	0,02	0,04	0,05	0,06	0,10
Armature resistance	R_a	Ω	12	45	70	100	280
Max thermal load	I_{th}	A	0,55	0,25	0,22	0,18	0,11
Max. Allowed speed	n_a	rpm	12 000	7 500	6 000	5 000	3 000

BRUSHES

QUANTITY	DIMENSION	GRADE	MAX OUTPUT VOLTAGE	PART NO
4	3,1 x 4,1 x 12,5 mm	Silver-graphite	300 V max	/0001397

PRODUCT DESCRIPTION

RE.0444 NV B C1X60 CA IP44 11X30

RE.0444 NV	444 NV type	
B	Flange B5	US Flange (US) available
C	T° compensation (optional)	
1X	1 Commutator	
60	Voltage at 1 000 rpm	from 20 thru 100 V available
CA	Silver-graphite brushes	
IP44	Ingress protection	
11X30	Shaft dimensions (mm)	7x30 mm available