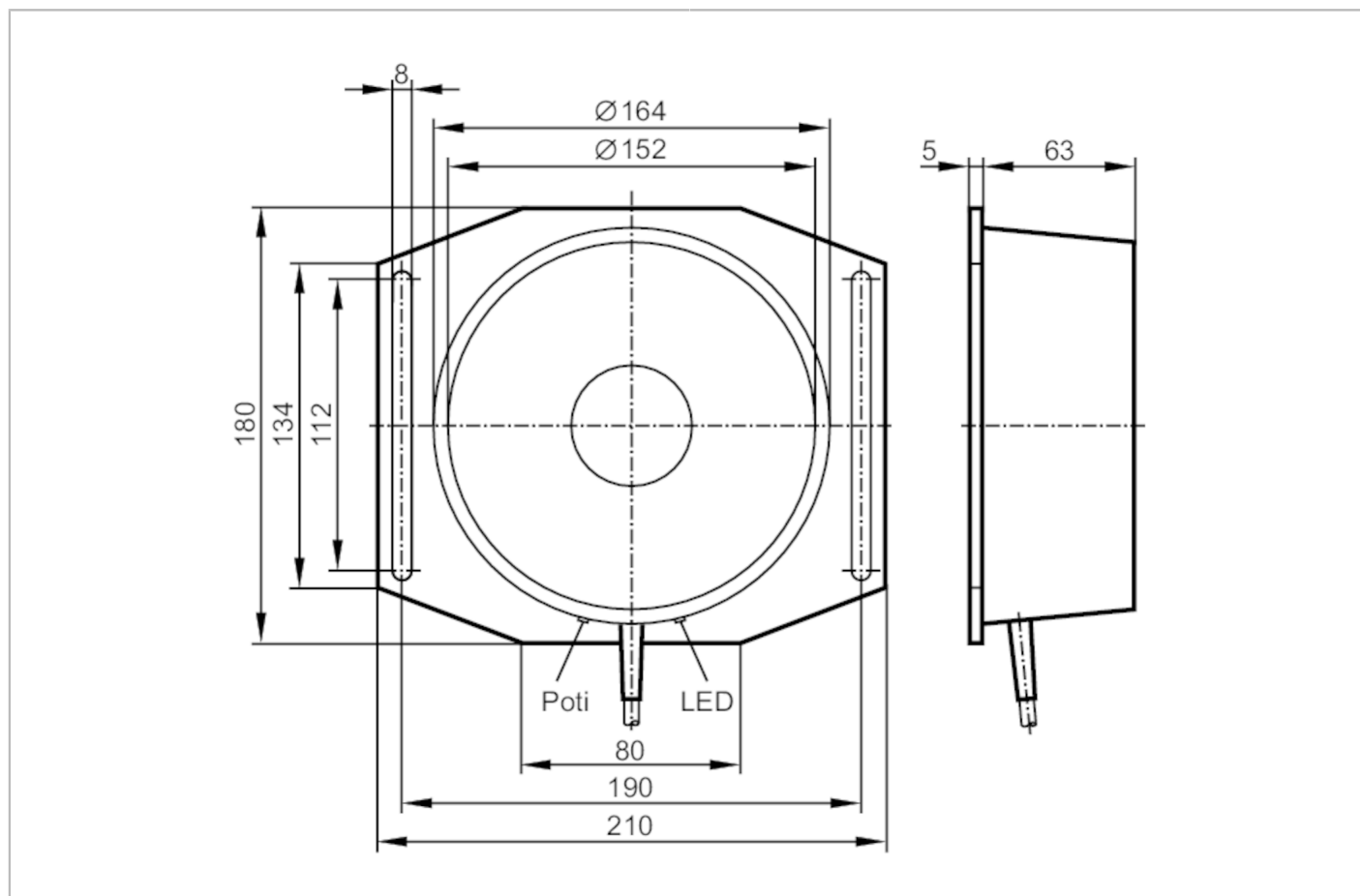


I27008



Inductive area sensor

SIY-3120-BPKG/A-PLATE/0,6M/US



Product characteristics

Electrical design		PNP
Output function		normally open
Sensing range	[mm]	30...120
Housing		tubular
Dimensions	[mm]	180 x 210 x 68

Electrical data

Operating voltage	[V]	10...36 DC
Current consumption	[mA]	15; (24 V)
Protection class		II
Reverse polarity protection		yes

I27008



Inductive area sensor

SIY-3120-BPKG/A-PLATE/0,6M/US

Outputs		
Electrical design		PNP
Output function		normally open
Max. voltage drop switching output DC	[V]	2.5
Permanent current rating of switching output DC	[mA]	250
Switching frequency DC	[Hz]	3
Short-circuit protection		yes
Type of short-circuit protection		yes (non-latching)
Overload protection		yes
Monitoring range		
Sensing range	[mm]	30...120
Sensing range adjustable		yes
Factory setting sensing range	[mm]	120
Real sensing range Sr	[mm]	120 ± 10 %
Accuracy / deviations		
Correction factor		steel: 1 / stainless steel: 0.7 / brass: 0.4 / aluminum: 0.3 / copper: 0.2
Hysteresis	[% of Sr]	< 15
Switch-point drift	[% of Sr]	-15...15
Operating conditions		
Ambient temperature	[°C]	-20...70
Protection		IP 65
Tests / approvals		
EMC		EN 60947-5-2
Mechanical data		
Weight	[g]	1582.5
Housing		tubular
Mounting		non-flush mountable
Type of mounting		with mounting plate
Dimensions	[mm]	180 x 210 x 68
Material		housing: PBT; Mounting plate: aluminum anodized
Displays / operating elements		
Display	Switching status	1 x LED, yellow
Remarks		
Pack quantity		1 pcs.

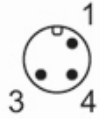
I27008



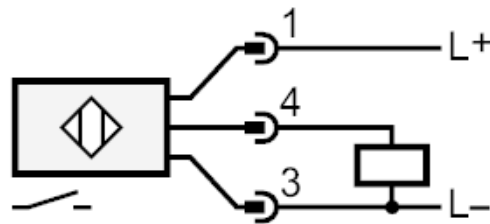
Inductive area sensor

SIY-3120-BPKG/A-PLATE/0,6M/US

Electrical connection



Connection



Electrical connection - plug

Cable: 0.6 m, PVC; 3 x 0.5 mm²

Connector: 1 x M12