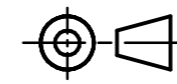


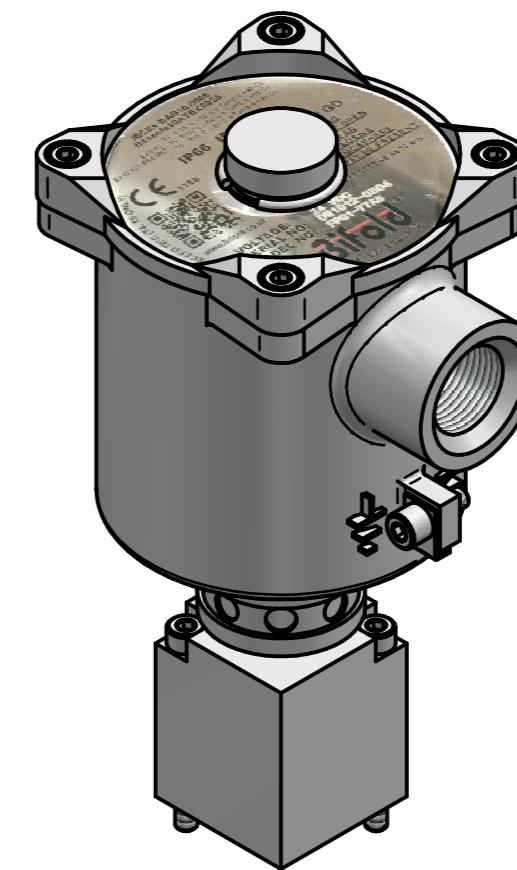
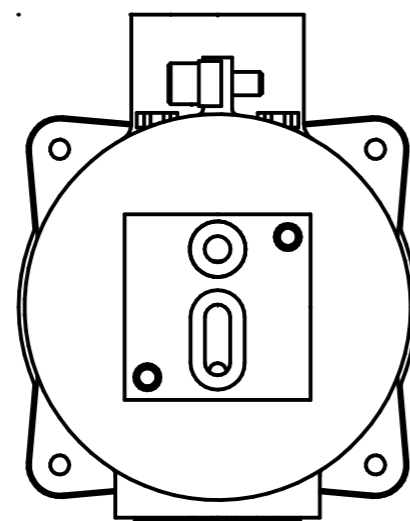
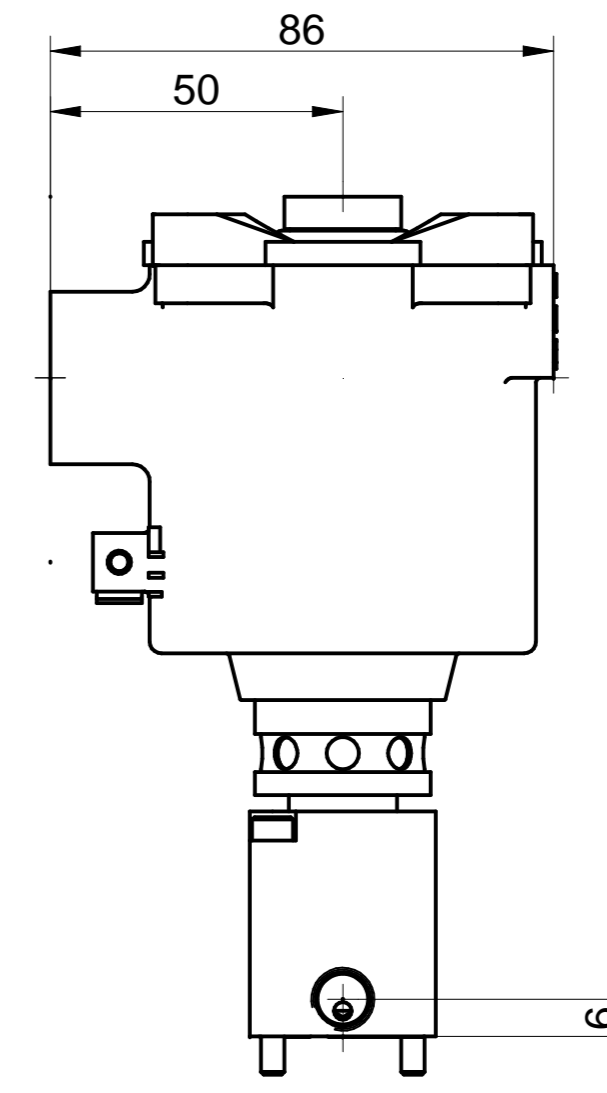
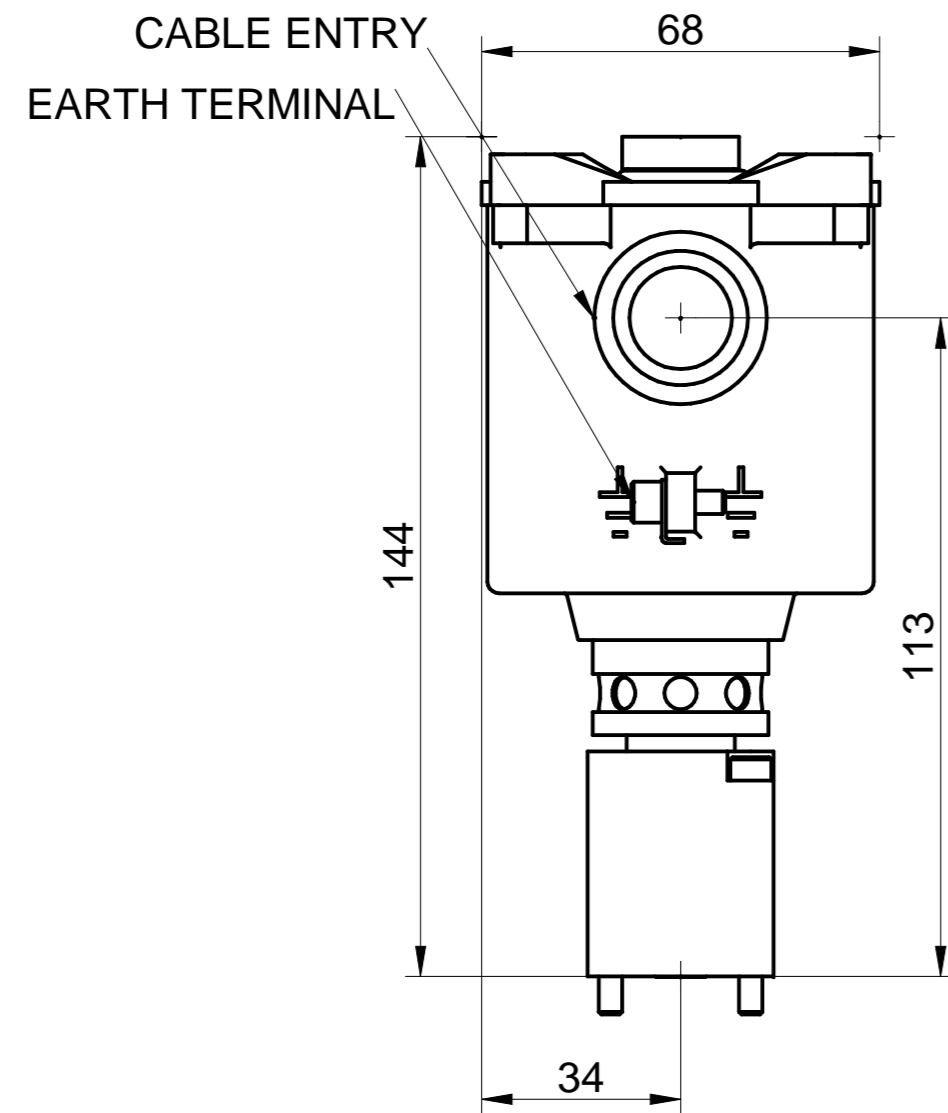
DO NOT SCALE

THIRD ANGLE PROJECTION



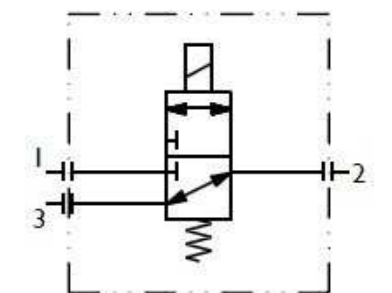
DIMENSIONS IN MILLIMETRES

FIXING SCREW TORQUE SETTINGS	
M4	2.2 Nm
M5	4.3 Nm
M6	7.3 Nm
M8	17.7 Nm
M10	35.5 Nm



### SCHEMATIC

SCHEMATIC SHOWN - N/C



#### MAINSTAGE VALVE

- NPT PORTS STANDARD (BSP PORTS - K6 OPTION)
- SUITABLE FOR UNIVERSAL OPERATION 2/2 & 3/2 NORMALLY OPEN AND NORMALLY CLOSED
- PLUG PORT 3 FOR 2/2 NORMALLY CLOSED
- PLUG PORT 1 FOR 2/2 NORMALLY OPEN

#### SOLENOID

- M20 x 1.5 CONDUIT ENTRY (1/2" NPT - K85 OPTION)
- FULLY ROTATABLE HOUSING

#### NOTES :

1.) O-RING MATERIAL CODE 'X'

S = NITRILE  
 V = VITON  
 AL = FLUOROSILICONE  
 AG = SILICONE

2.) ALL DIMENSIONS NOMINAL UNLESS OTHERWISE STATED.

#### VALVE TYPES/USED ON



Bifold Fluidpower Limited  
 Bifold Group, Oldham Broadway Business Park, Chadderton, Gr. Manchester OL9 9XA  
 Telephone (44) 0161 345 4777 Fax (44) 0161 345 4780

PROJECT TITLE  
 FP03P-M1-32-NC-X-78X-X

PROJECT No.

DRAWING TITLE  
 GENERAL INSTALLATION

DRAWING No.  
 0-IN0806

REV. 0

DATE	CHECKED	DATE	APPROVED	DATE
09.09.14				

Copyright © 2000 BIFOLD FLUIDPOWER LTD. All Rights Reserved C.A.D. Produced Drawing DO NOT Change By Hand

REV	DATE	DRAWN	CHKD	REVISION
0	09.09.14	CONF		PRODUCTION ISSUE