

Mounting plate

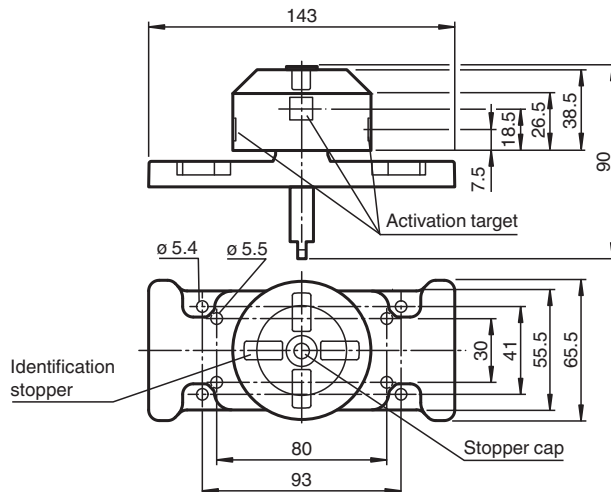
MH-BT65A



- Mounting plate with shaft and actuator BT65
- Hole pattern 30 x 80 mm

Mounting plate

Dimensions



Technical Data

Ambient conditions

Ambient temperature -25 ... 70 °C (-13 ... 158 °F)

Mechanical specifications

Housing material

Material PA 12

Mounting screw cylinder head screws Mounting plate
DIN 912
with hexagon socket

General information

Scope of delivery
Mounting plate
Mounting plate fixing screw
4 x socket cap screw DIN 912, M5x12, stainless steel with hexagon socket
4 x serrated lock washer DIN 6797, shape J
Fixing screw for sensor F31
2 x cylinder head screw DIN 912, M5X16, stainless steel with hexagon socket
Fixing screw for sensor F31K
2 x cylinder head screw DIN 912, M5X20, stainless steel with hexagon socket

Release date: 2021-01-13 Date of issue: 2021-01-13 Filename: 245603_eng.pdf

Refer to "General Notes Relating to Pepperl+Fuchs Product Information".

Pepperl+Fuchs Group
www.pepperl-fuchs.com

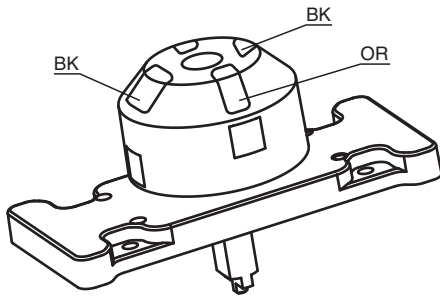
USA: +1 330 486 0001
fa-info@us.pepperl-fuchs.com

Germany: +49 621 776 1111
fa-info@de.pepperl-fuchs.com

Singapore: +65 6779 9091
fa-info@sg.pepperl-fuchs.com

PEPPERL+FUCHS

Assembly



Release date: 2021-01-13 Date of issue: 2021-01-13 Filename: 245603_eng.pdf

Refer to "General Notes Relating to Pepperl+Fuchs Product Information".

Pepperl+Fuchs Group
www.pepperl-fuchs.com

USA: +1 330 486 0001
fa-info@us.pepperl-fuchs.com

Germany: +49 621 776 1111
fa-info@de.pepperl-fuchs.com

Singapore: +65 6779 9091
fa-info@sg.pepperl-fuchs.com